



These instructions are applicable to pre-installed 6'8" and 6'10" Builders sliding patio doors with weep holes on the top and bottom. Only these doors are reversible, or specially designed to be converted to be opened either from the left or the right. Patio doors that are set up for left hand operation (door opens from the left on the exterior) or vice versa, can be converted to open from the opposite side with these instructions. Do not install the patio door until after completion of these instructions and the fixed panel is on the desired side.

Do-It-Yourself

Technician



CONTACT US

For questions, feel free to contact us by phone or email:

- Phone: 1-(800)-JELD-WEN/1-(800)-535-3936
- Email: customerserviceagents@jeld-wen.com

PRECAUTIONS AND SAFETY

- Follow all manufacturers' instructions and labels.
- Use proper and safe equipment and precautions if servicing the exterior side of patio doors above ground level.
- Insect screens are not security devices and will not prevent children, other people, or pets from falling through.
- Use extra care when driving screws near glass unit to avoid breakage.
- Use caution when tightening screws to avoid stripping the screw holes.
- Handling patio door parts can be awkward and heavy and could cause physical injury or product damage; we recommend the help of a second person.

NEEDED TOOLS AND MATERIALS

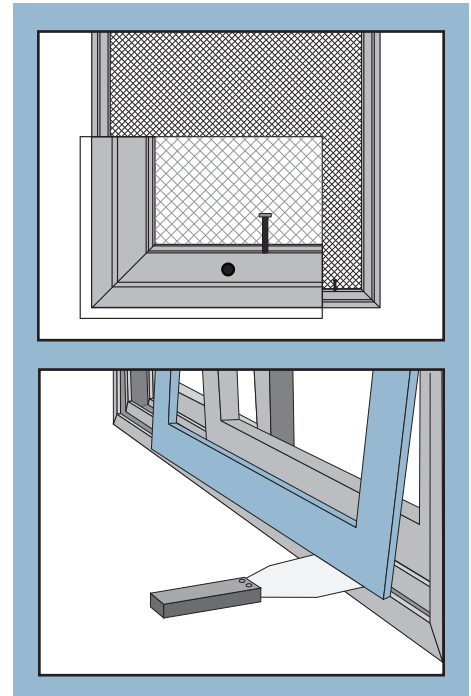
- Pliers
- Rubber mallet
- Putty knife
- Pencil
- Flat head screwdriver
- Phillips head screwdriver
- Power drill with 3/32" drill bit for pilot holes only

PREPARE PATIO DOOR

- Move patio door to installation location.
- Remove all wrapping material, shipping blocks and handles.

REMOVE SCREEN

1. Using a phillips screwdriver, turn (do not remove) adjustment screws counterclockwise to retract rollers in each corner.
2. Lift screen up and over bottom screen track (if needed, insert a large putty knife between the track and the rollers to help lift over the track).

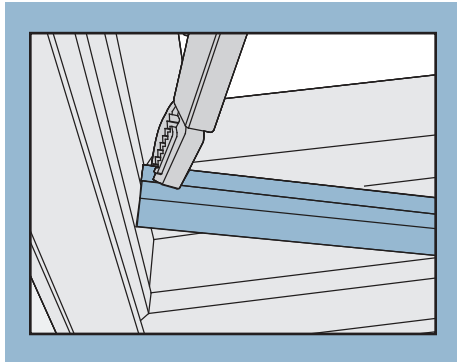


The advice offered herein can be done by a homeowner with some mechanical aptitude. If you are unsure, it is recommended that you hire a trained service provider such as a competent and licensed construction contractor or building professional. JELD-WEN disclaims any and all liability associated with the use and/or provision of these instructions. Any reliance upon the information or advice is at the risk of the party so relying. The information contained herein may be changed from time to time without notification.

REMOVE SCREEN - CONTINUED

Note: Do not damage track when removing; this may result in poor screen operation.

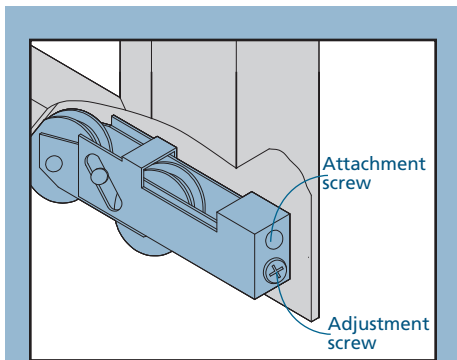
3. Grip one end of the screen track with pliers and lift up carefully to remove.



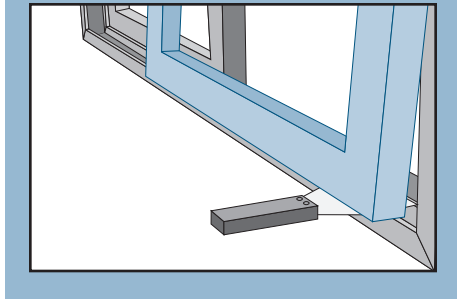
REMOVE OPERATING PANEL

1. Completely open operating panel to clear anti-lifts in the header.

2. Roller adjustment screws are at both bottom ends of the panel. With a phillips screwdriver, turn the bottom screw counterclockwise to retract rollers and lower the panel.

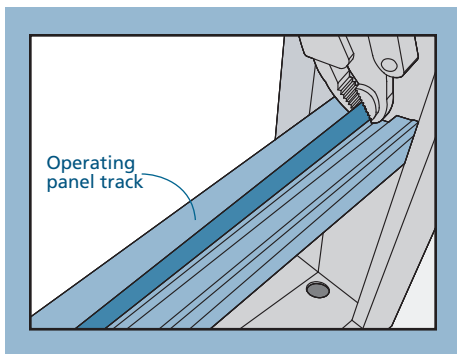


3. From the interior, lift panel bottom up and over sill track and pull inward (if needed, insert a large putty knife between the track and the rollers to help lift over the track).

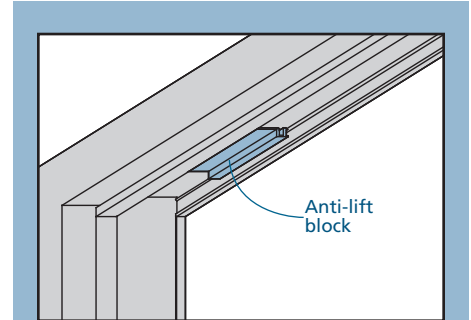


Note: Do not damage track or metal track cover when removing track; this may result in poor operation.

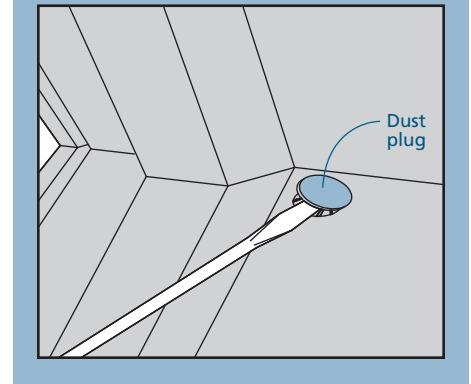
4. Grip one end of the operating panel track with pliers and lift up carefully to remove.



5. Pry both anti-lifts from header with flat head screwdriver.
6. Flip frame (top to bottom).



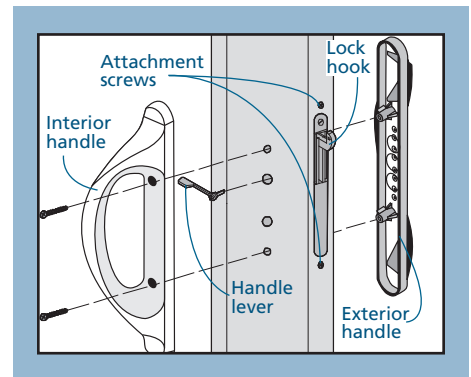
7. Gently pry out the frame dust plugs in both ends of the sill with flat head screwdriver and install these in the corresponding holes in the head jamb.



SWITCH ROLLERS AND LOCK

1. Lay the panel on a flat padded surface.
2. Remove attachment screw (top screw on each roller) from the roller on each end of the panel and remove.
3. At other end of panel, pry the dust plugs from roller screw holes with flat head screwdriver. Install both rollers on the opposite end of the panel.
4. At opposite end, install dust plugs (two at each end with 1/2" in large holes and 1/4" in small holes) into previous roller screw holes.
5. If the handle is pre-installed, remove the 2" machine screws from interior handle set and remove both handles and handle lever.

Note: Step 6 must be performed with the panel in a horizontal position to keep the lock reinforcement bar from falling down inside the panel.



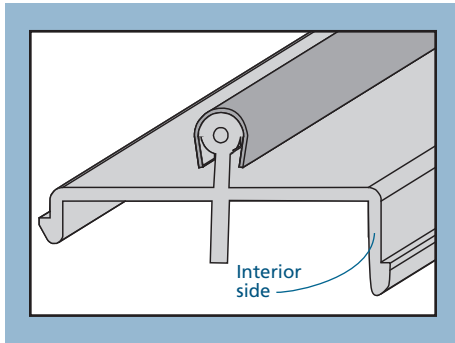
6. Pull hook out to locked position with fingers or pliers. Maintain grip on latch hook to keep lock from falling inside stile.
7. Remove both phillips screws to remove lock.
8. Remove and turn lock over and reinstall with hook facing the opposite direction.
9. Reinstall the handle lever on the interior and then both handles.

INSTALL OPERATING PANEL

1. Starting at one end, press the panel track with the higher side toward the interior, into the sill until it snaps into place.

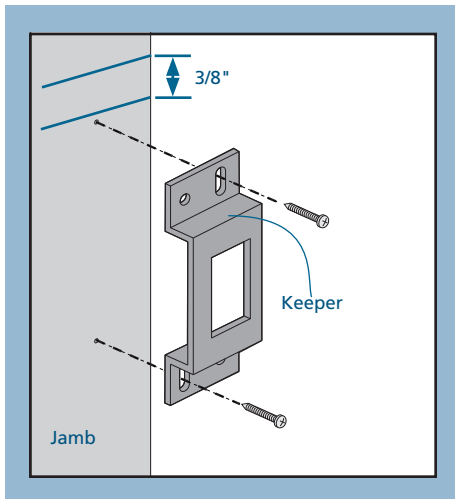
Note: Install panel with latch hook pointing upward and facing the keeper in the side jamb, and the interlock facing the fixed panel.

2. Place operating panel next to the door in an open position. Lift the panel, place the top into the operating panel track in the head and swing the bottom over the sill and rest the rollers on the track.
3. Adjust rollers until the panel just clears the track.
4. Install security anti-lifts with flat section facing the exterior into the operating panel track in header so they will be above the operating panel when it is closed.



ALIGN LOCK KEEPER

1. Mark jamb at top of keeper with a pencil.
2. Unscrew and remove keeper.
3. Mark another line 3/8" below previously marked line.
4. Mark the center of the slotted holes and drill 3/32" pilot holes.
5. Install keeper with top at lower pencil mark.
6. Test operation by closing and locking operating panel. If door does not lock tightly, loosen screws, adjust keeper up or down, then retighten.
7. When the lock operates correctly, mark and drill 3/32" pilot holes in the remaining two holes and secure with screws.
8. Wipe off marks (pencil will easily wipe off vinyl).



FINISH CONVERSION

1. On the exterior, now the bottom, look for a groove filler (a long, thin vinyl strip that fits into a groove in the frame). If a groove filler is present, lift one end with a flat head screwdriver and pull out to remove.
2. Tap the filler into the groove at the new top of the frame with a rubber mallet (this will cover former weep holes).
3. Reinstall screen track with "nub" facing the interior.
4. Position top of screen into top channel.
5. Lift bottom up and over onto track.
6. Extend all four rollers by turning adjustment screws clockwise until the screen is level and a slight pressure is felt.
7. The patio door is now ready for installation.

