

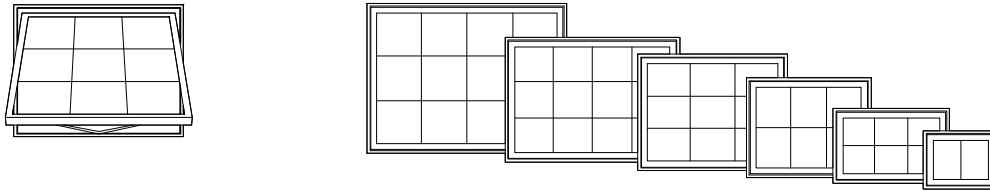
---

**TABLE OF CONTENTS**

---

Elevations/Sizes: 1/4" Scale .....	3-2
Single Units .....	3-4
Glazing Options: 3" Scale .....	3-7
Trim Options: 3" Scale .....	3-8
Jamb Extender Options: 3" Scale .....	3-9
Standard Mullion Options .....	3-10
Lite Cut Information & Options .....	3-12
Vent Projections .....	3-14
Unit Sizing, Rough Openings & Masonry Openings .....	3-15
Section Details: 6"Scale .....	3-16

**GENERAL INFORMATION**



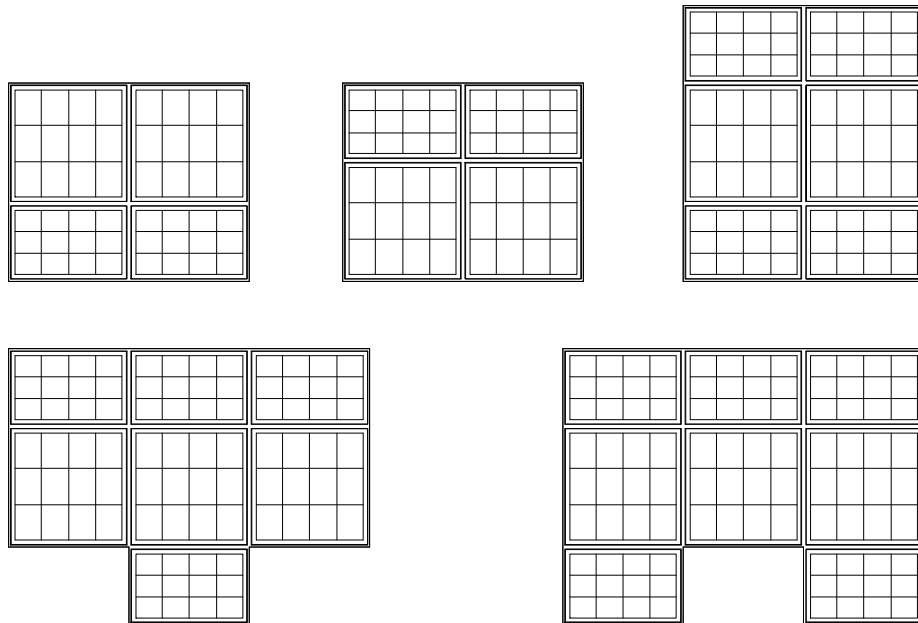
**DIMENSIONAL WINDOWS**

Clad awning windows may be specified as "dimensional" by adjusting the desired rough opening width or height in 1/8" increments from standard.

Clad awning windows are available as operating or stationary (non - venting). Operating mechanism includes corrosion resistant steel hinges and roto-type operators for venting units. Sash locks are concealed unison type with an exposed locking lever and escutcheon plate. There are several interior hardware finish options. Refer to the Specifications for finish options.

**MULTIPLE ASSEMBLIES**

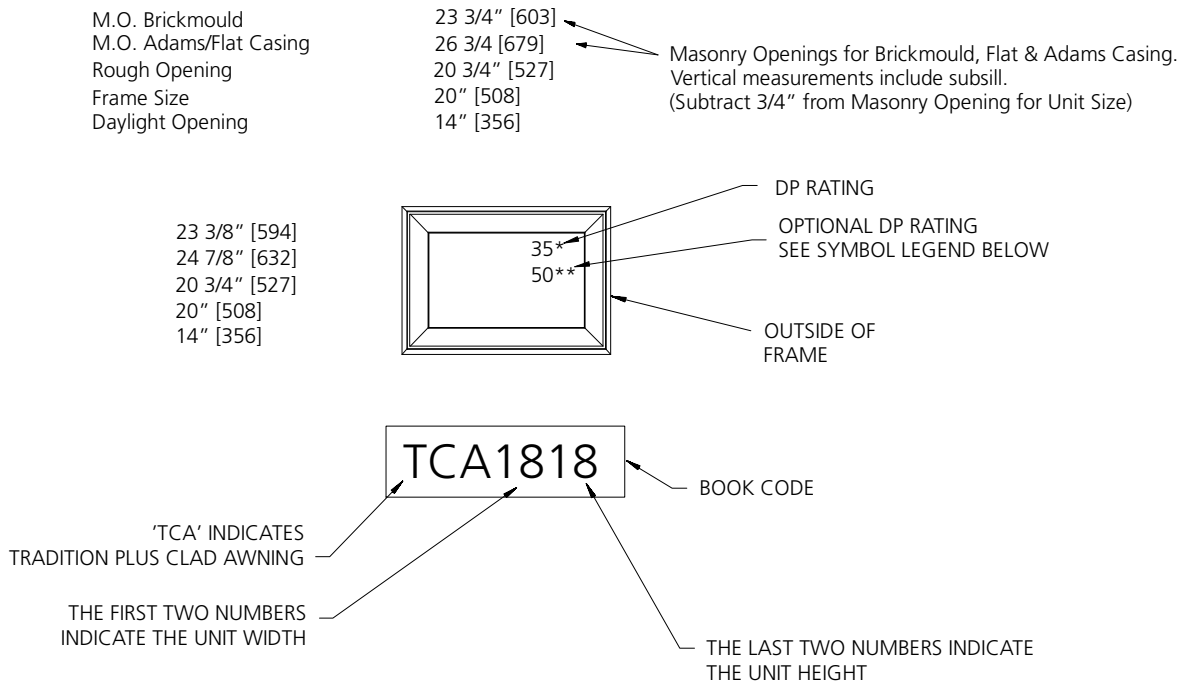
Clad awning windows may be mullled above, below, or beside other clad awning windows, or other clad window products. Factory assembled mulls are limited in height (100"), width (150"), and a total area (75 square feet).



SCALE: 1/4" = 1'

**ELEVATION NOTES**

ELEVATION DRAWINGS UTILIZE A LIMITED NUMBER OF PROJECTED LINES TO PRODUCE A RUDIMENTARY DRAWING INTENDED TO BE USED IN A SMALL GRAPHICAL SCALE. ELEVATIONS ARE VIEWED PERPENDICULAR FROM THE EXTERIOR OF THE STRUCTURE. IF MORE DIMENSIONS ARE NEEDED, USE THE SECTION DRAWINGS FOR MORE COMPLETE DEPICTIONS.



**GENERAL AWNING NOTES**

1. TRADITION PLUS CLAD AWNING (TCA) UNITS ARE AVAILABLE AS OPERATING OR STATIONARY UNITS.
2. UNIT ELEVATIONS ARE SHOWN WITHOUT EXTERIOR TRIM.
3. DIMENSIONAL VALUES IN PARENTHESES ARE MILLIMETER CONVERSIONS.

**ELEVATION SYMBOL LEGEND:**

- M.O.** MASONRY OPENING
- ##\*** NUMBER INDICATES DESIGN PRESSURE (DP) RATING WITH STANDARD GLAZING ON OPERATING OR STATIONARY UNITS.
- ##\*\*** NUMBER INDICATES OPTIONAL DESIGN PRESSURE (DP) RATING ON OPERATING OR STATIONARY UNITS.
- S** STATIONARY UNIT

SCALE: 1/4" = 1'

### SINGLE UNITS

M.O. BRICKMOULD M.O. ADAMS/FLAT CASING ROUGH OPENING FRAME SIZE DAYLIGHT OPENING	20 3/4" (527) 23 3/4" (603) 17 3/4" (451) 17" (432) 11" (279)	23 3/4" (603) 26 3/4" (679) 20 3/4" (527) 20" (508) 14" (356)	27 3/4" (705) 30 3/4" (781) 24 3/4" (629) 24" (610) 18" (457)	31 3/4" (806) 34 3/4" (883) 28 3/4" (730) 28" (711) 22" (559)	33 3/4" (857) 36 3/4" (933) 30 3/4" (781) 30" (762) 24" (610)	35 3/4" (908) 38 3/4" (984) 32 3/4" (832) 32" (813) 26" (660)	39 3/4" (1010) 42 3/4" (1086) 36 3/4" (933) 36" (914) 30" (762)
20 3/8" (518) 21 7/8" (556) 17 3/4" (451) 17" (432) 11" (279)							
23 3/8" (594) 24 7/8" (632) 20 3/4" (527) 20" (508) 14" (356)							
27 3/8" (695) 28 7/8" (733) 24 3/4" (629) 24" (610) 18" (457)							
31 3/8" (797) 32 7/8" (835) 28 3/4" (730) 28" (711) 22" (559)							
33 3/8" (848) 34 7/8" (886) 30 3/4" (781) 30" (762) 24" (610)							
39 3/8" (1000) 40 7/8" (1038) 36 3/4" (933) 36" (914) 30" (762)							
43 3/8" (1102) 44 7/8" (1140) 40 3/4" (1035) 40" (1016) 34" (864)							
51 3/8" (1305) 52 7/8" (1343) 48 3/4" (1238) 48" (1219) 42" (1067)							

**ELEVATION SYMBOL LEGEND:**

M.O. = MASONRY OPENING

VALUES IN ( ) ARE IN MILLIMETER CONVERSIONS

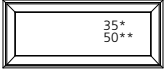
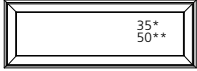
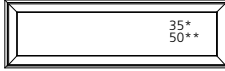
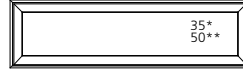
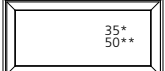
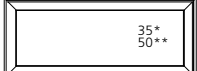
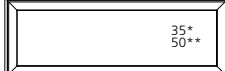
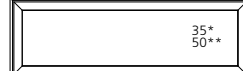
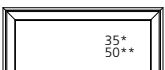



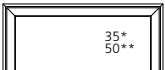



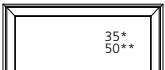
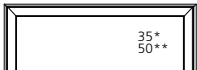
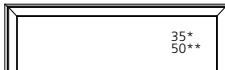
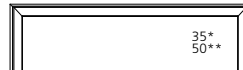
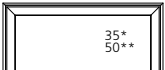
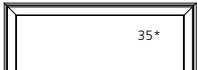
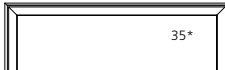
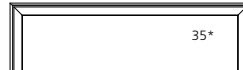
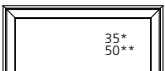

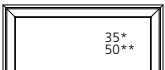

### NUMBER INDICATES DESIGN PRESSURE (DP) RATING WITH STANDARD GLAZING.

#### NUMBER INDICATES OPTIONAL DESIGN PRESSURE (DP) RATING.

Note Elevations shown DO NOT have exterior trim. Subtract 3/4" (19) from M.O. (Masonry Opening) for Unit Sizes. Masonry Openings above include Sill Nose, see Trim Options page for Sill Nose specifications. For other Trim Options refer to the Unit Sizing, Rough Opening & Masonry Openings page.

SCALE: 1/4" = 1'

**SINGLE UNITS**

M.O. BRICKMOULD M.O. ADAMS/FLAT CASING ROUGH OPENING FRAME SIZE DAYLIGHT OPENING	43 3/4"(1111) 46 3/4"(1187) 40 3/4"(1035) 40"(1016) 34"(864)	51 3/4"(1314) 54 3/4"(1391) 48 3/4"(1238) 48"(1219) 42"(1067)	59 3/4"(1518) 62 3/4"(1586) 56 3/4"(1441) 56"(1422) 50"(1270)	63 3/4"(1619) 66 3/4"(1695) 60 3/4"(1543) 60"(1524) 54"(1372)
20 3/8"(518) 21 7/8"(556) 17 3/4"(451) 11"(279)	 35* 50** TCA4017	 35* 50** TCA4817	 35* 50** TCA5617	 35* 50** TCA6017
23 3/8"(594) 24 7/8"(632) 20 3/4"(527) 20 5/8" 14"(356)	 35* 50** TCA4020	 35* 50** TCA4820	 35* 50** TCA5620	 35* 50** TCA6020
27 3/8"(695) 28 7/8"(733) 24 3/4"(629) 24 1/2" 18"(457)	 35* 50** TCA4024	 35* 50** TCA4824	 35* 50** TCA5624	 35* 50** TCA6024
31 3/8"(797) 32 7/8"(835) 28 3/4"(730) 25 1/2" 22"(559)	 35* 50** TCA4028	 35* 50** TCA4828	 35* 50** TCA5628	 35* 50** TCA6028
33 3/8"(848) 34 7/8"(886) 30 3/4"(781) 30 1/2" 24"(610)	 35* 50** TCA4030	 35* 50** TCA4830	 35* 50** TCA5630	 35* 50** TCA6030
39 3/8"(1000) 40 7/8"(1038) 36 3/4"(933) 36 1/2" 30"(762)	 35* 50** TCA4036	 35* TCA4836	 35* TCA5636	 35* TCA6036
43 3/8"(1102) 44 7/8"(1140) 40 3/4"(1035) 40 1/2" 34"(864)	 35* 50** TCA4040	 35* TCA4840		
51 3/8"(1305) 52 7/8"(1343) 48 3/4"(1238) 45 1/2"(1179) 42"(1067)	 35* 50** TCA4048	 35* TCA4848		




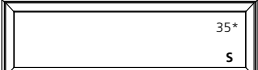
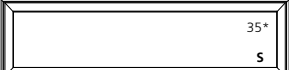
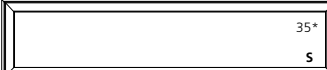



**ELEVATION SYMBOL LEGEND:**

M.O. = MASONRY OPENING  
VALUES IN ( ) ARE IN MILLIMETER CONVERSIONS  
\*\*\* NUMBER INDICATES DESIGN PRESSURE (DP) RATING WITH STANDARD GLAZING.  
\*\*\*\* NUMBER INDICATES OPTIONAL DESIGN PRESSURE (DP) RATING.

Note Elevations shown DO NOT have exterior trim. Subtract 3/4" (19) from M.O. (Masonry Opening) for Unit Sizes. Masonry Openings above include Sill Nose, see Trim Options page for Sill Nose specifications. For other Trim Options refer to the Unit Sizing, Rough Opening & Masonry Openings page.

SCALE: 1/4" = 1'

### SINGLE UNITS

M.O. BRICKMOULD	67 3/4" (1721)	75 3/4" (1924)	87 3/4" (2229)
M.O. ADAMS/FLAT CASING	70 3/4" (1797)	78 3/4" (2000)	90 3/4" (2305)
ROUGH OPENING	64 3/4" (1645)	72 3/4" (1848)	84 3/4" (2153)
FRAME SIZE	64" (1626)	72" (1829)	84" (2134)
DAYLIGHT OPENING	58" (1473)	66" (1676)	78" (1981)
20 3/8" (518) 21 7/8" (556) 17 3/4" (451) 17" (432) 11" (279)	 <p>TCA6417</p>	 <p>TCA7217</p>	 <p>TCA8417</p>
23 3/8" (594) 24 7/8" (632) 20 3/4" (527) 20" (508) 14" (356)	 <p>TCA6420</p>	 <p>TCA7220</p>	 <p>TCA8420</p>
27 3/8" (695) 28 7/8" (733) 24 3/4" (629) 24" (610) 18" (457)	 <p>TCA6424</p>	 <p>TCA7224</p>	 <p>TCA8424</p>

**ELEVATION SYMBOL LEGEND:**

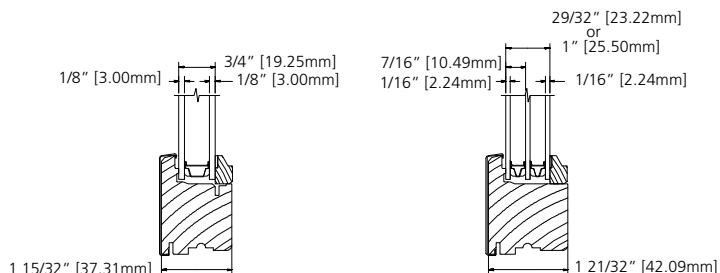
M.O. = MASONRY OPENING  
 VALUES IN ( ) ARE IN MILLIMETER CONVERSIONS  
 ##\* NUMBER INDICATES DESIGN PRESSURE (DP) RATING WITH STANDARD GLAZING.  
 S STATIONARY UNIT

Note Elevations shown DO NOT have exterior trim. Subtract 3/4" (19) from M.O. (Masonry Opening) for Unit Sizes. Masonry Openings above include Sill Nose, see Trim Options page for Sill Nose specifications. For other Trim Options refer to the Unit Sizing, Rough Opening & Masonry Openings page.

SCALE: 1/4" = 1'

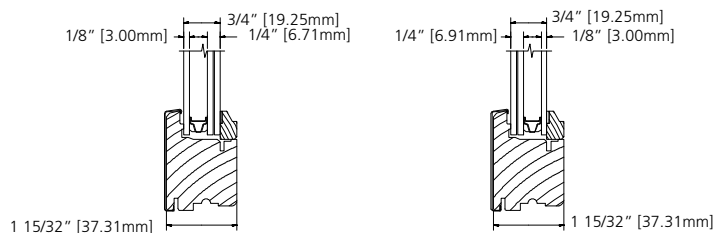
**SASH GLAZING OPTIONS**

**INTERIOR GLAZED**



**INSULATED GLASS**

**TRIPLE GLAZE INSULATED**



**LAMINATED INSULATED  
CLEAR OR LOW-E**

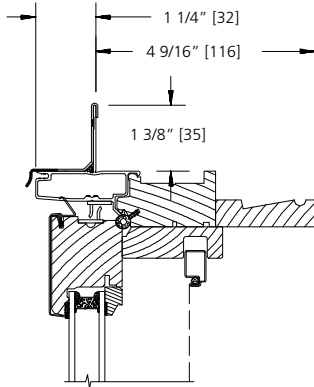
**LAMINATED INSULATED  
TINTED**

3.0mm/6.7mm LAMINATE

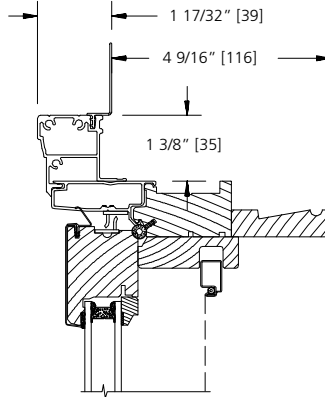
6.7mm LAMINATE/3.0mm

**TRIM OPTIONS**

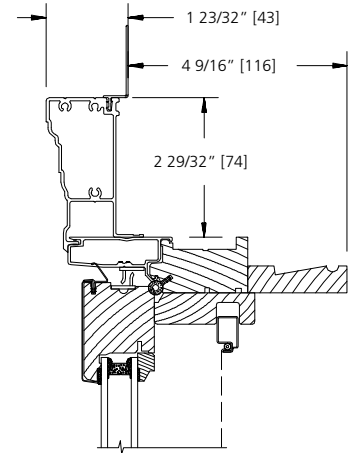
**EXTERIOR TRIM**



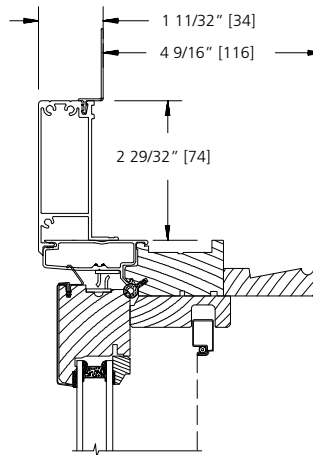
**STANDARD**



**BRICKMOULD**

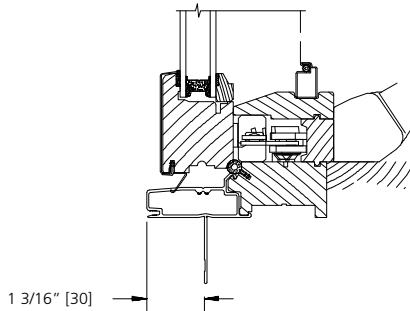


**ADAMS CASING**

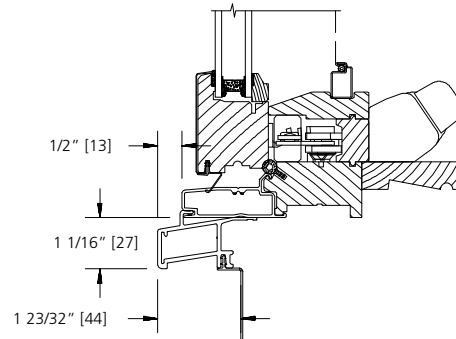


**3-1/2\"/>**

**SILL NOSE OPTIONS**



**STANDARD SILL NOSE**

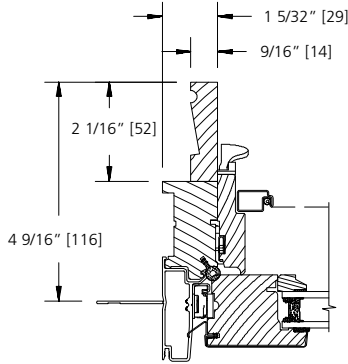


**BOW AND BAY SILL NOSE**

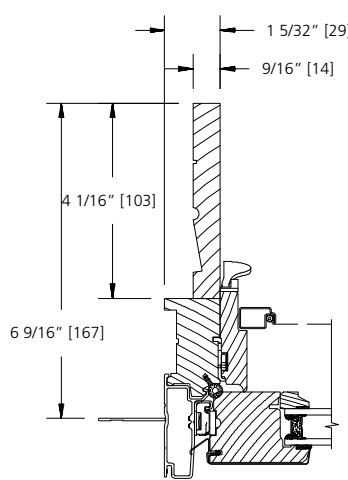
SCALE: 3" = 1'



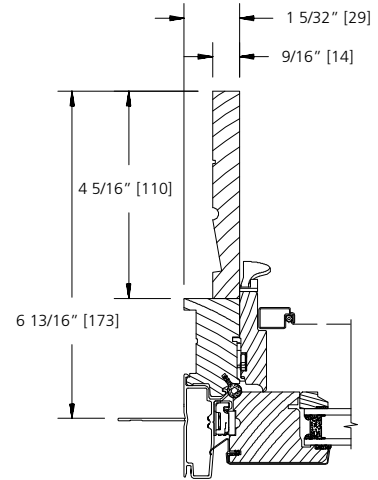
JAMB EXTENDER OPTIONS



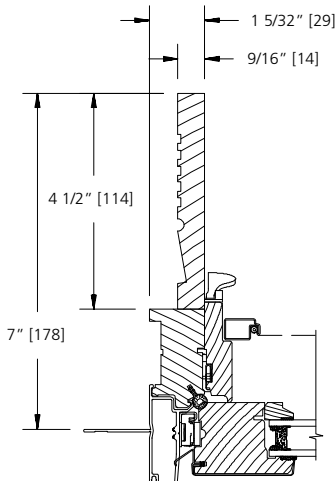
**4 9/16" WALL**  
9/16" JAMB THICKNESS OPTION



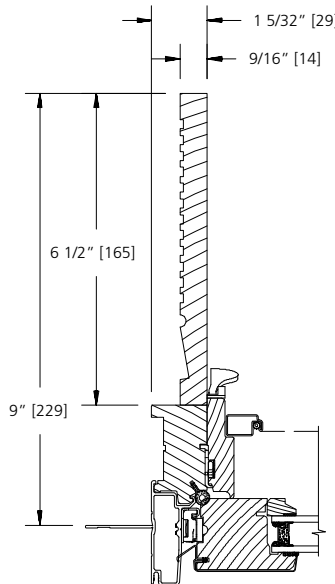
**6 9/16" WALL**



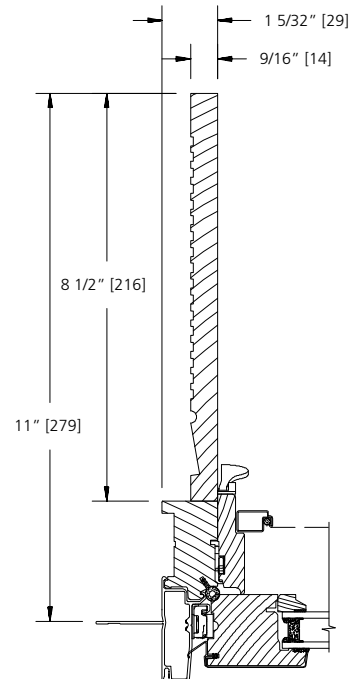
**6 13/16" WALL**



**7" WALL**



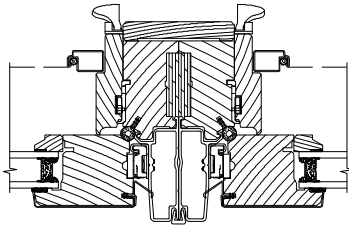
**9" WALL**



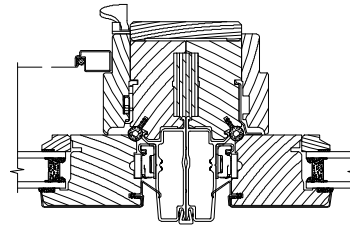
**11" WALL**

SCALE: 3" = 1'

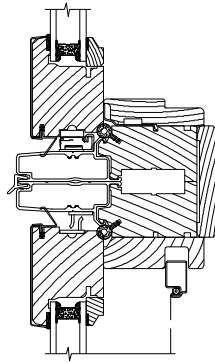
STANDARD MULLION OPTIONS



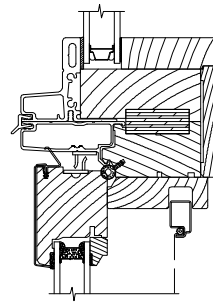
TWIN OPERATING AWNING



OPERATING AWNING  
NEXT TO STATIONARY AWNING

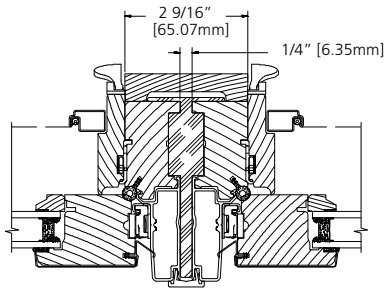


AWNING STATIONARY  
OVER AWNING

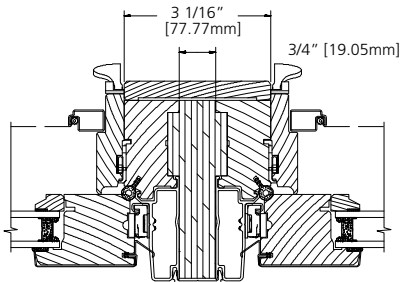


DIRECT SET RADIUS  
OVER AWNING

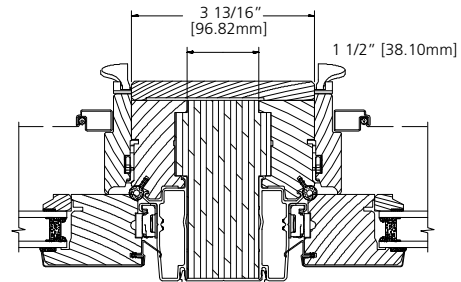
STANDARD MULLION OPTIONS



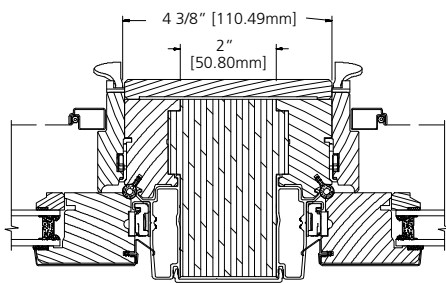
**1/4" ALUMINUM REINFORCEMENT**



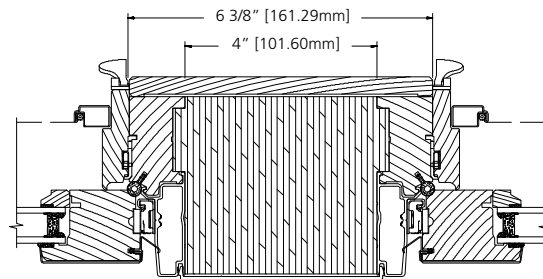
**3/4" WOOD SPREAD MULL**



**1 1/2" WOOD SPREAD MULL**



**2" WOOD SPREAD MULL**



**4" WOOD SPREAD MULL**

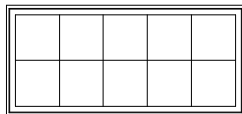
SCALE: 3" = 1'

**LITE CUT INFORMATION**

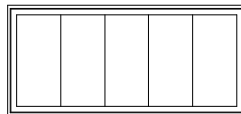
Clad awning windows are available with removable grilles in 7/8", 1-1/8" and 1-3/8" widths, Airspace (between the panes) grilles, and Simulated Divided Lites (SDL). Standard lite cuts are rectangular.

**LITE CUT OPTIONS**

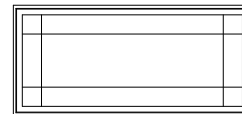
Special lite cut patterns can include a wide variety of straight line and radius patterns. The illustrations shown here represent just a few of the possibilities. Rectangular, horizontal, vertical and Prairie lite patterns are available in all standard size clad windows. Uneven, diamond, radius, and Gothic lite cuts are available, subject to approval. Approvals are based on the ability to fulfill the design requirement while maintaining the construction integrity of the finished product.



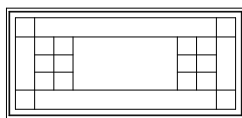
RECTANGULAR



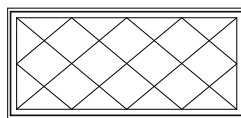
VERTICAL



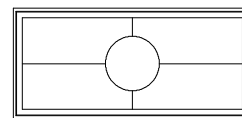
PRAIRIE



UNEVEN



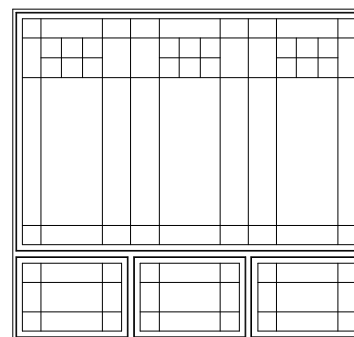
DIAMOND  
SDL ONLY



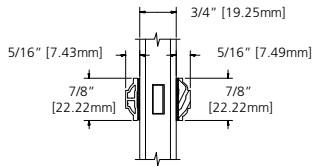
RADIUS

**BAR ALIGNMENT**

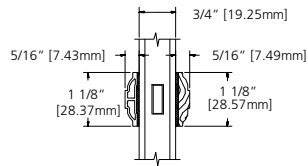
Alignment of divided lite muntin bars from one window to the next is often required by fine architectural design. Wood grilles, Airspace grilles, and Simulated Divided Lites may be specified with muntin bars aligned.



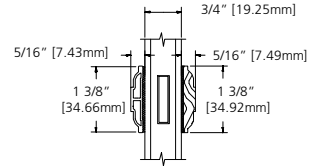
**DIVIDED LITE OPTIONS**



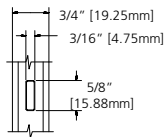
**7/8" SDL**



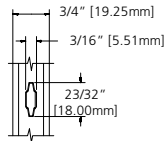
**1 1/8" SDL**



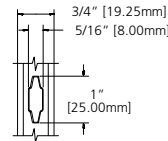
**1 3/8" SDL**



**5/8" GRILLE**

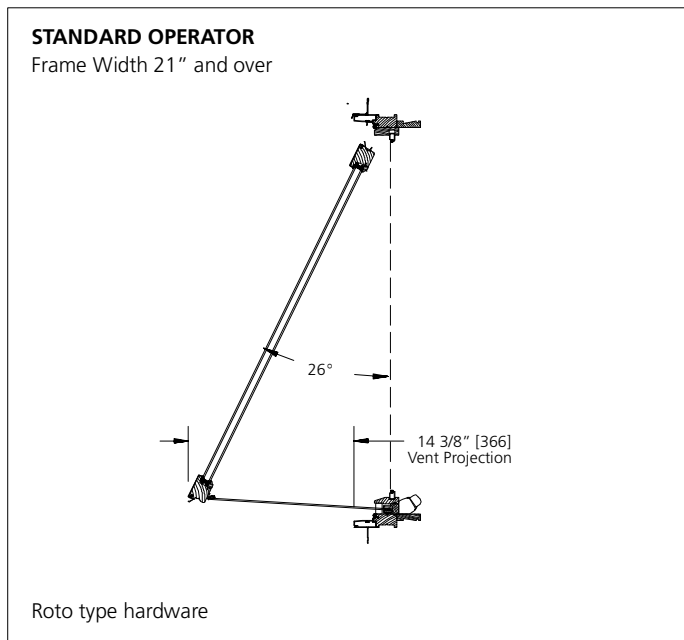
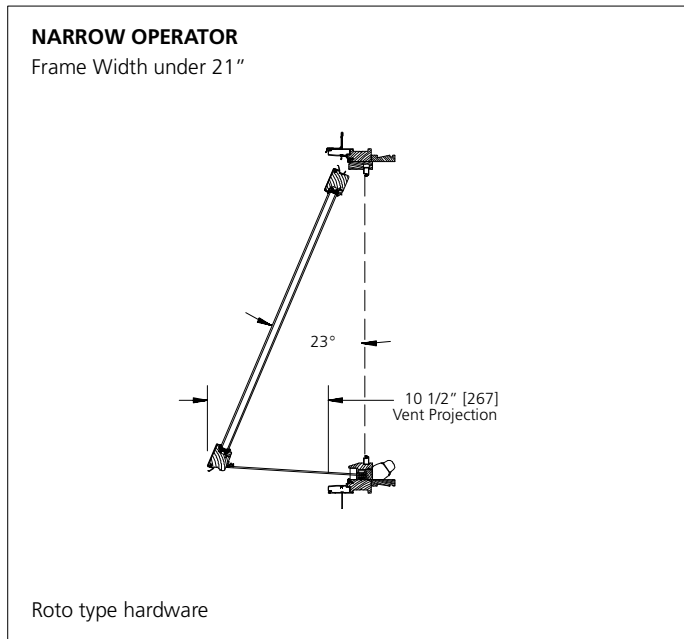


**23/32" GRILLE**



**1" GRILLE**

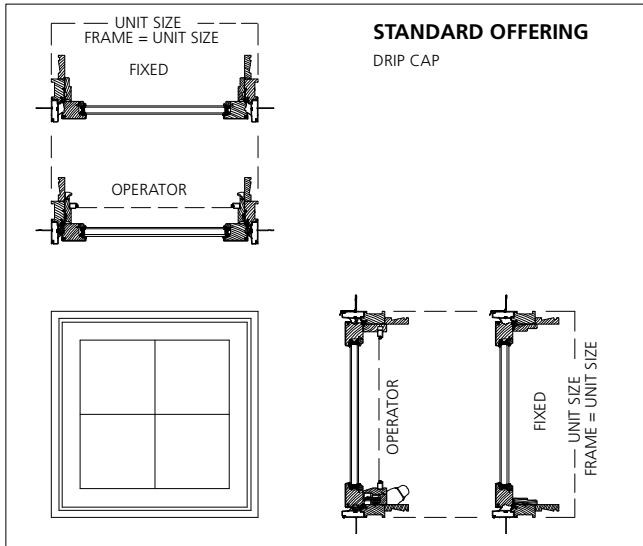
**VENT PROJECTIONS**



**AWNING VENT PROJECTION**

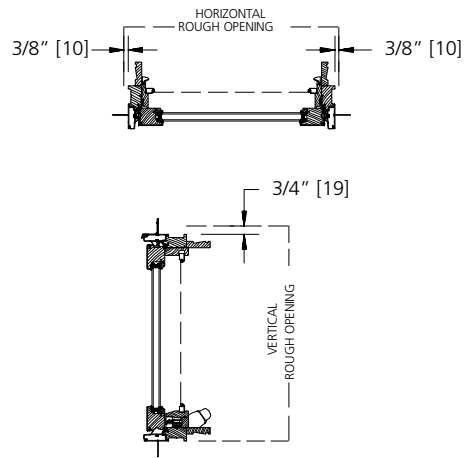
The drawings above reflect full operation. Dimensions and angles above are approximate and will vary due to frame height.

**UNIT SIZING, ROUGH OPENINGS  
& MASONRY OPENINGS**



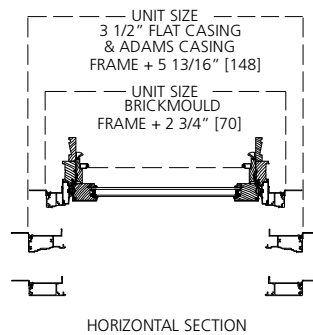
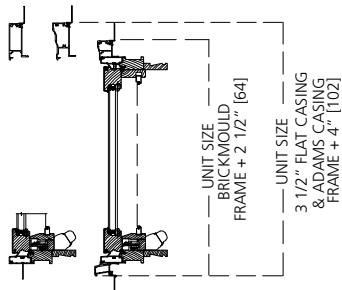
**MASONRY OPENING:**  
MASONRY OPENING IS ALWAYS 3/4" OVER THE UNIT SIZE OF THE WINDOW

**ROUGH OPENING:**  
ROUGH OPENING IS ALWAYS 3/4" OVER FRAME SIZE OF THE WINDOW

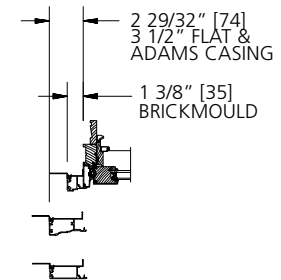


**NON-STANDARD UNIT SIZING**

EXTERIOR TRIM OFFERINGS

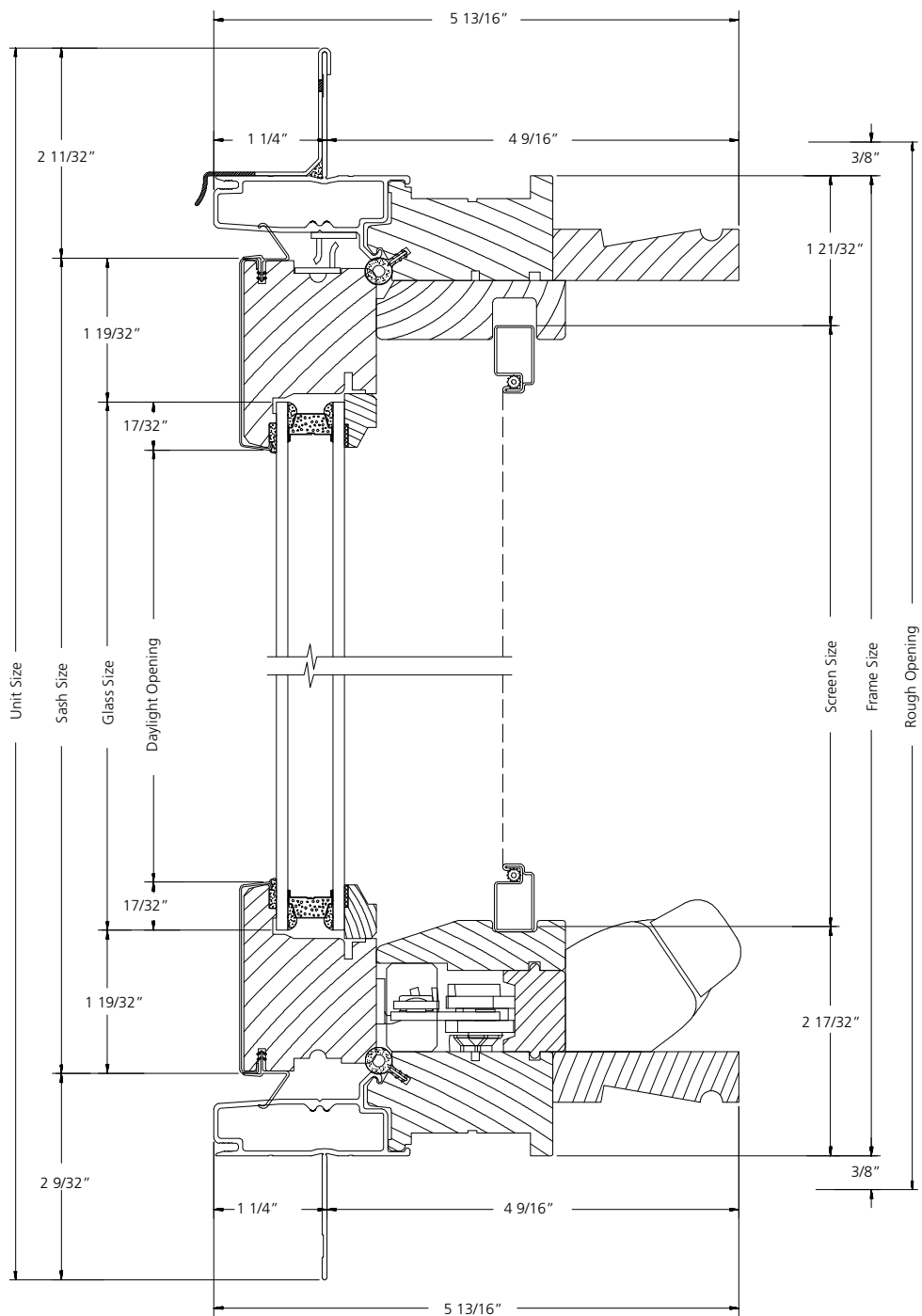


**FRAME TO TRIM DIMENSIONS**



TYPICAL FOR HEAD, SILL & SIDE

**OPERATING UNIT**

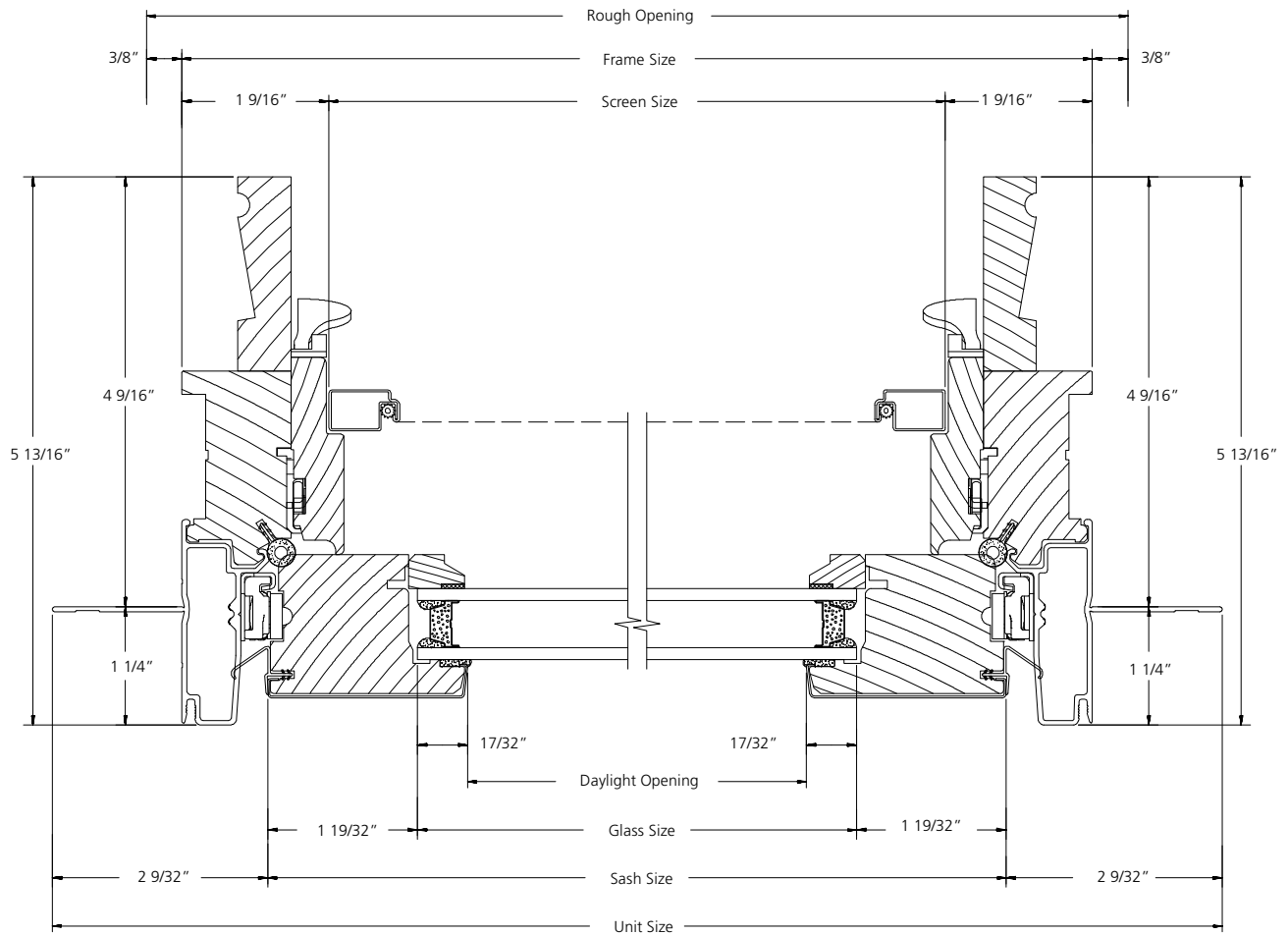


**VERTICAL SECTION**

SCALE: 6" = 1'



**OPERATING UNIT**



**HORIZONTAL SECTION**

SCALE: 6" = 1'