

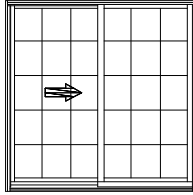
---

**TABLE OF CONTENTS**

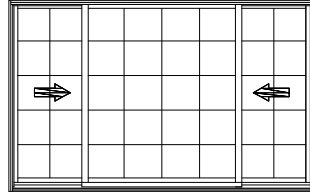
---

Elevations/Sizes: 1/4" Scale .....	7-2
2-Panel Units .....	7-4
3-Panel Units .....	7-5
Sash Glazing Options: 3" Scale .....	7-6
Trim Options: 3" Scale .....	7-7
Jamb Extender Options: 3" Scale .....	7-8
Standard Mullion Options .....	7-9
Lite Cut Information & Options .....	7-10
Unit Sizing, Rough Openings & Masonry Openings .....	7-12
Section Details: 6" Scale .....	7-13

**GENERAL INFORMATION**



OPERATING UNIT  
(LEFT SHOWN)

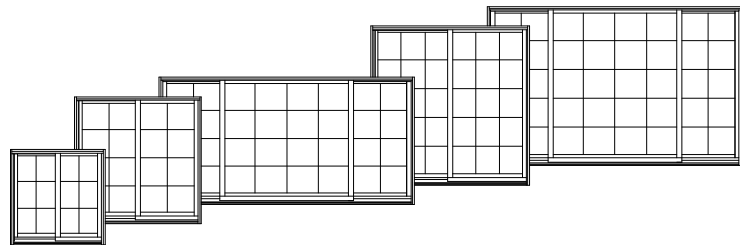


OPERATING UNIT  
(LEFT/STATIONARY/RIGHT)

**DIMENSIONAL WINDOWS**

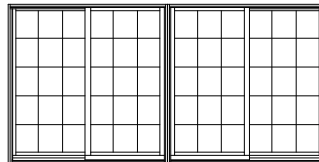
Clad horizontal sliding windows may be specified as "dimensional", by adjusting the desired rough opening width or height in 1/8" increments from standard.

Clad horizontal sliding windows are available in standard and triple unit styles. Standard units feature one operating sash and one fixed sash. Triple unit styles feature a fixed center sash with operating sash on both sides. Operating sashes are easily removable for cleaning. Units are supplied with dual cam-type sash locks installed. Die-cast sash pulls supplied for field installation are an option. There are several hardware finish options available. Refer to the specifications for finish options.



**MULTIPLE ASSEMBLIES**

Clad horizontal sliding windows may be mullered side-by-side to fill larger openings. Factory assembled mulls are limited to a maximum of two basic units, not to exceed 40 square feet in total area. Larger assemblies may be field mullered.



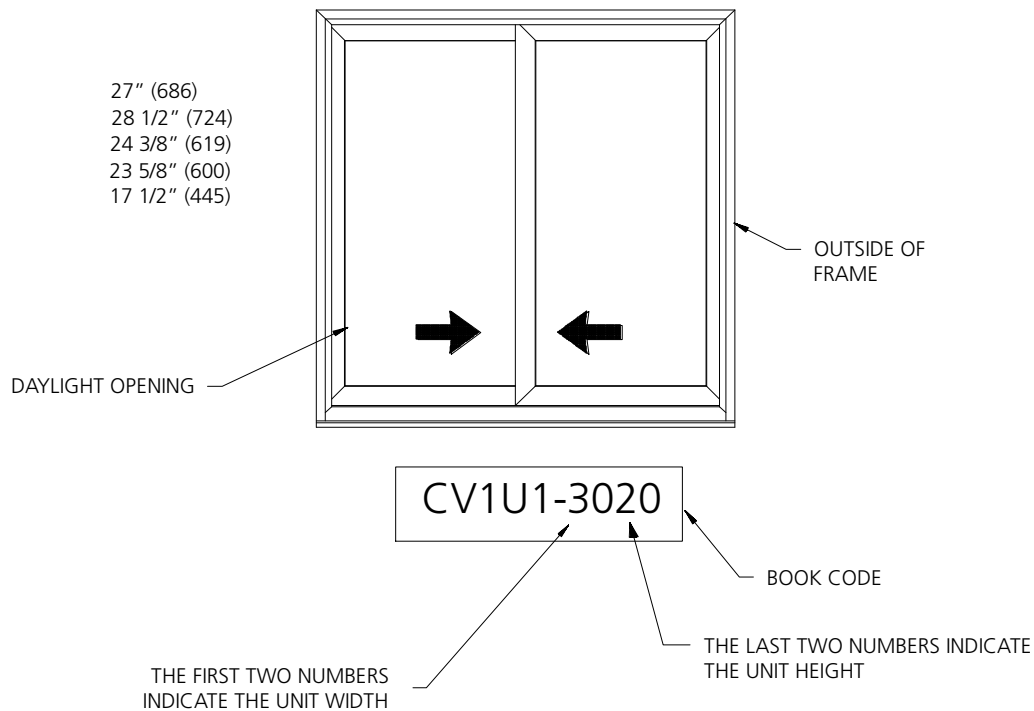
**ELEVATION NOTES**

ELEVATION DRAWINGS UTILIZE A LIMITED NUMBER OF PROJECTED LINES TO PRODUCE A RUDIMENTARY DRAWING INTENDED TO BE USED IN A SMALL GRAPHICAL SCALE. ELEVATIONS ARE VIEWED PERPENDICULAR FROM THE EXTERIOR OF THE STRUCTURE. IF MORE DIMENSIONS ARE NEEDED, USE THE SECTION DRAWINGS FOR MORE COMPLETE DEPICTIONS.

M.O. Brickmould  
M.O. Adams/Flat Casing  
Rough Opening  
Frame Size  
Daylight Opening

39 1/4"(997)  
42 1/4"(1073)  
36 1/4"(921)  
35 1/2"(902)  
14 1/2"(368)[2]

Masonry Openings for Brickmould, Flat & Adams Casing.  
Vertical measurements include sillnose.  
(Subtract 1/2" from Masonry Opening for Unit Size)



**GENERAL HORIZONTAL SLIDING WINDOWS NOTES:**

1. ALL UNITS ARE SHOWN ARE AVAILABLE AS OPERATORS ONLY.
2. OPERATING UNITS ARE AVAILABLE AS LEFT OR RIGHT HAND OPERATION.
3. DIMENSIONAL VALUES IN PARENTHESIS ARE MILLIMETER CONVERSIONS.
4. VALUES IN BRACKETS ARE NUMBER OF DAYLIGHT OPENINGS PER UNIT.

**ELEVATION SYMBOL LEGEND:**

- MO** MASONRY OPENING  
**E** BASIC UNIT CLEAR OPENING EXCEEDS 20" IN WIDTH, 24" IN HEIGHT & A MINIMUM OF 5.7 SQ. FT.

**2-PANEL UNITS**

**M.O. BRICKMOULD**  
**M.O. ADAMS/FLAT CASING**  
**ROUGH OPENING**  
**FRAME SIZE**  
**DAYLIGHT OPENING**

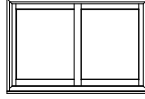
39 1/4"(997)  
42 1/4"(1073)  
36 1/4"(921)  
35 1/2"(902)  
14 1/2"(368)[2]

51 1/4"(1302)  
54 1/4"(1378)  
48 1/4"(1226)  
47 1/2"(1207)  
20 1/2"(521)[2]

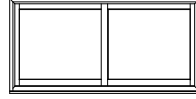
63 1/4"(1607)  
66 1/4"(1683)  
60 1/4"(1530)  
59 1/2"(1511)  
26 1/2"(673)[2]

75 1/4"(1911)  
78 1/4"(1988)  
72 1/4"(1835)  
71 1/2"(1816)  
32 1/2"(826)[2]

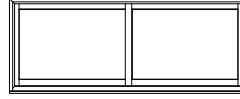
27"(686)  
28 1/2"(724)  
24 3/8"(619)  
23 5/8"(600)  
17 1/2"(445)



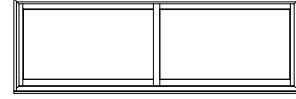
CV1U1-3020



CV1U1-4020

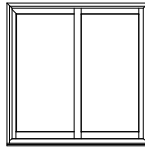


CV1U1-5020

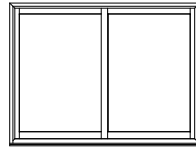


CV1U1-6020

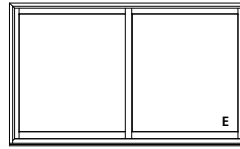
39"(991)  
40 1/2"(1029)  
36 3/8"(924)  
35 5/8"(905)  
29 1/2"(749)



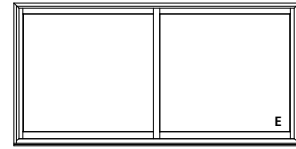
CV1U1-3030



CV1U1-4030

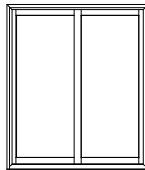


CV1U1-5030

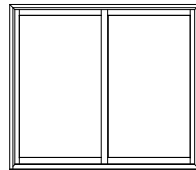


CV1U1-6030

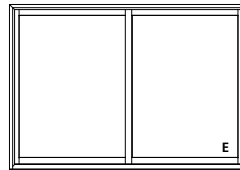
45"(1143)  
46 1/2"(1181)  
42 3/8"(1076)  
41 5/8"(1057)  
35 1/2"(902)



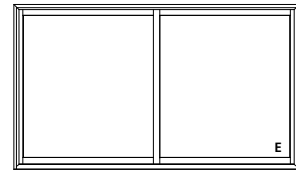
CV1U1-3036



CV1U1-4036

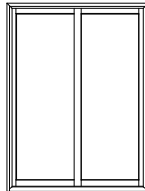


CV1U1-5036

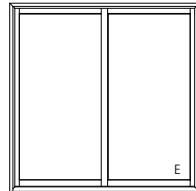


CV1U1-6036

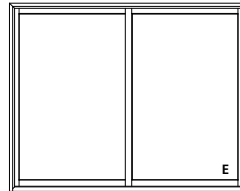
51"(1295)  
52 1/2"(1334)  
48 3/8"(1229)  
47 5/8"(1210)  
41 1/2"(1054)



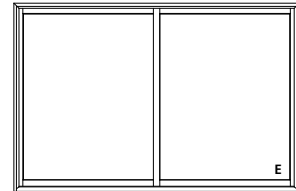
CV1U1-3040



CV1U1-4040

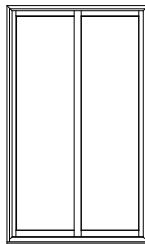


CV1U1-5040

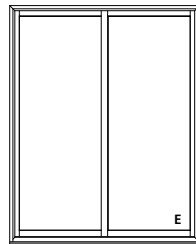


CV1U1-6040

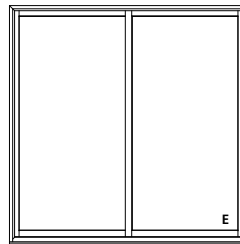
63"(1600)  
64 1/2"(1638)  
60 3/8"(1534)  
59 5/8"(1514)  
53 1/2"(1359)



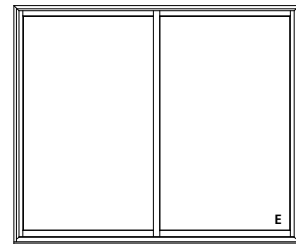
CV1U1-3050



CV1U1-4050



CV1U1-5050



CV1U1-6050

**ELEVATION SYMBOL LEGEND:**

**M.O.** = MASONRY OPENING  
VALUES IN ( ) ARE IN MILLIMETER CONVERSIONS  
VALUES IN [ ] ARE NUMBER OF DAYLIGHT OPENINGS PER UNIT  
**E** BASIC UNIT CLEAR OPENING EXCEEDS 20" IN WIDTH, 24" IN HEIGHT & A MINIMUM OF 5.7 SQ. FT.

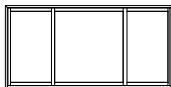
Note Elevations shown DO NOT have exterior trim. Subtract 3/4" (19) from M.O. (Masonry Opening) for Unit Sizes. Masonry Openings above include Sill Nose, see Trim Options page for Sill Nose specifications. For other Trim Options refer to the Unit Sizing, Rough Opening & Masonry Openings page.

SCALE: 1/4" = 1'

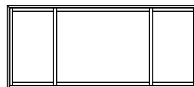
**3-PANEL UNITS**

<b>M.O. BRICKMOULD</b>	87 1/4" (2216)	99 1/4" (2521)
<b>M.O. ADAMS/FLAT CASING</b>	90 1/4" (2292)	102 1/4" (2597)
<b>ROUGH OPENING</b>	84 1/4" (2140)	96 1/4" (2445)
<b>FRAME SIZE</b>	83 1/2" (2121)	95 1/2" (2426)
<b>DAYLIGHT OPENING</b>	20 1/2" (521)[2] 34 1/4" (870)	20 1/2" (521)[2] 46 1/4" (1175)

45" (1143)  
46 1/2" (1181)  
42 3/8" (1076)  
41 5/8" (1057)  
35 1/2" (902)

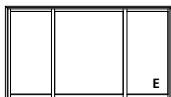


CV1U1-7036

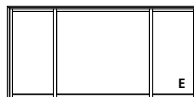


CV1U1-8036

51" (1295)  
52 1/2" (1334)  
48 3/8" (1229)  
47 5/8" (1210)  
41 1/2" (1054)

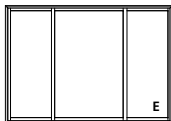


CV1U1-7040

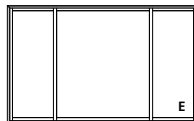


CV1U1-8040

63" (1600)  
64 1/2" (1638)  
60 3/8" (1534)  
59 5/8" (1514)  
53 1/2" (1359)



CV1U1-7050



CV1U1-8050

**ELEVATION SYMBOL LEGEND:**

M.O. = MASONRY OPENING  
VALUES IN ( ) ARE IN MILLIMETER CONVERSIONS  
VALUES IN [ ] ARE NUMBER OF DAYLIGHT OPENINGS PER UNIT  
E BASIC UNIT CLEAR OPENING EXCEEDS 20" IN WIDTH, 24" IN HEIGHT & A MINIMUM OF 5.7 SQ. FT.

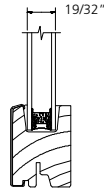
Note Elevations shown DO NOT have exterior trim. Subtract 3/4" (19) from M.O. (Masonry Opening) for Unit Sizes. Masonry Openings above include Sill Nose, see Trim Options page for Sill Nose specifications. For other Trim Options refer to the Unit Sizing, Rough Opening & Masonry Openings page.

SCALE: 1/8" = 1'

---

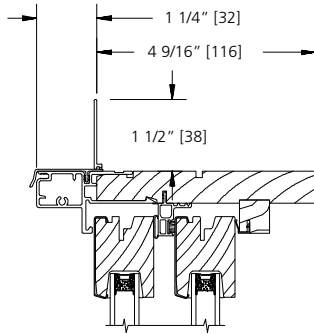
SASH GLAZING OPTIONS

INTERIOR GLAZING OPTIONS

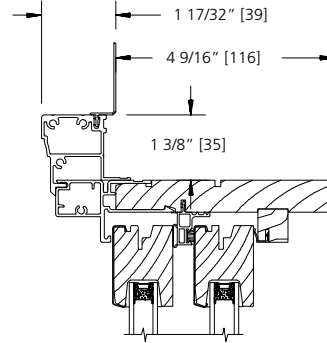


**TRIM OPTIONS**

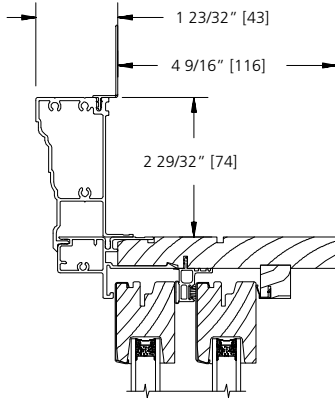
**EXTERIOR TRIM**



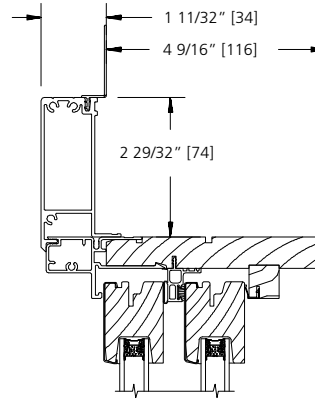
**STANDARD**



**BRICKMOULD**

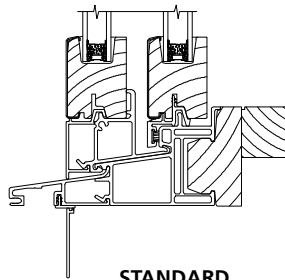


**ADAMS CASING**

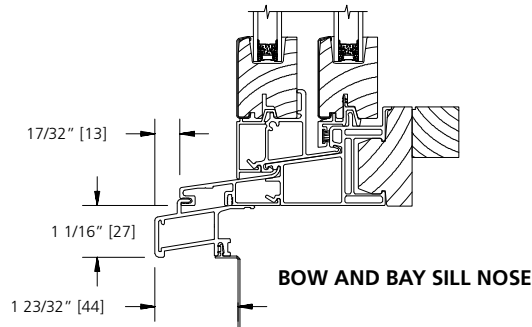


**3 1/2\"/>**

**SILL NOSE OPTIONS**



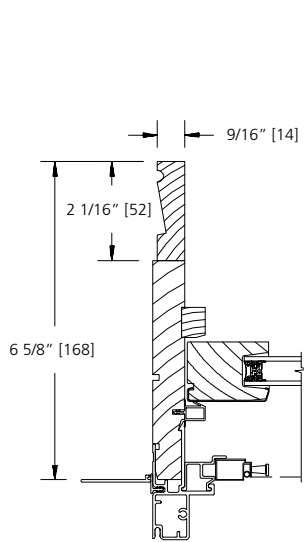
**STANDARD**



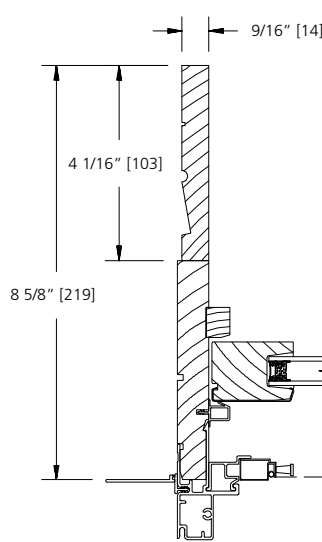
**BOW AND BAY SILL NOSE**

SCALE: 3" = 1'

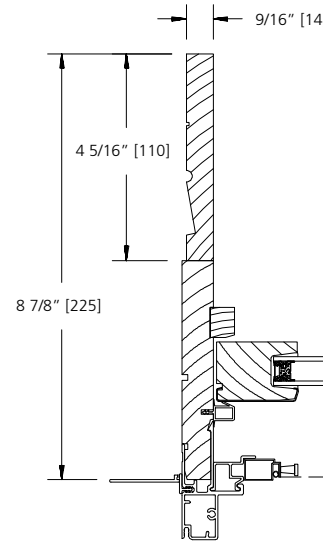
**JAMB EXTENDER OPTIONS**



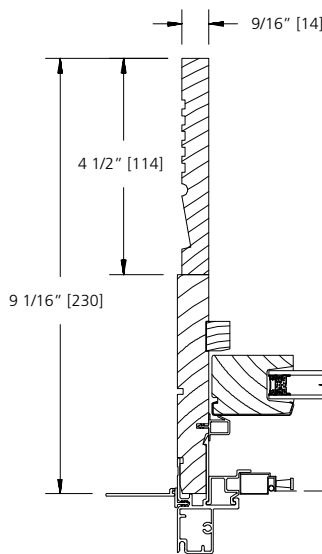
**6 5/8" WALL**



**8 5/8" WALL**



**8 7/8" WALL**

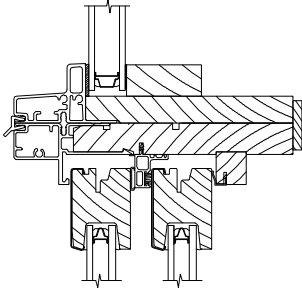


**9 1/16" WALL**

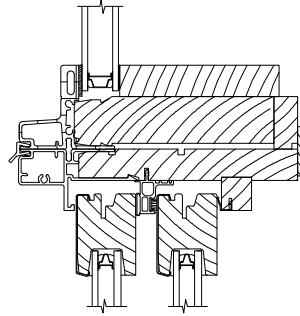
SCALE: 3" = 1'



STANDARD MULLION OPTIONS



**DIRECT SET RADIUS  
OVER HORIZONTAL SLIDER**



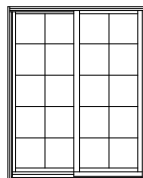
**DIRECT SET EXTENDED RADIUS  
OR GEOMETRIC OVER HORIZONTAL SLIDER**

**LITE CUT INFORMATION**

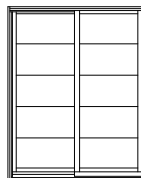
Clad horizontal sliding windows are available with removable grilles in 7/8", 1-1/8" and 1-3/8" widths, grilles between the glass (GBG), and Simulated Divided Lites. Standard lite cuts are rectangular.

**LITE CUT OPTIONS**

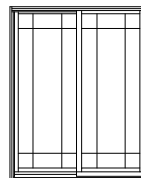
Special lite cut patterns can include a wide variety of straight line and radius patterns. The illustrations shown here represent just a few of the possibilities. Rectangular, horizontal, vertical and Prairie lite patterns are available in all standard size clad horizontal sliding windows. Uneven, diamond, radius and Gothic lite cuts are available, subject to approval. Approvals are based on the ability to fulfill the design requirement while maintaining the construction integrity of the finished product.



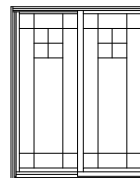
RECTANGULAR



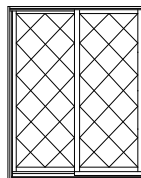
HORIZONTAL



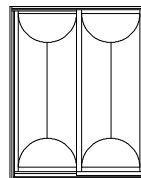
PRAIRIE



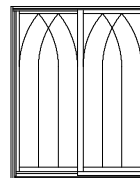
UNEVEN



DIAMOND  
SDL ONLY



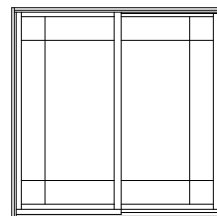
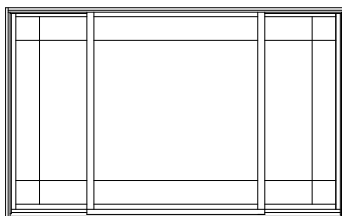
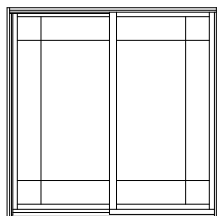
RADIUS



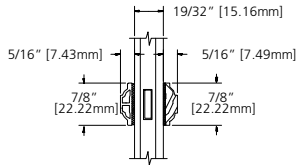
GOTHIC  
SDL ONLY

**BAR ALIGNMENT**

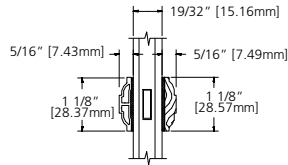
Alignment of divided lite muntin bars from one window to the next is often required by fine architectural design. Wood grilles, GBG (Grilles between the Glass) and Simulated Divided Lites may be specified with muntin bars aligned.



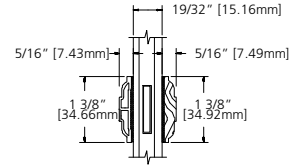
**DIVIDED LITE OPTIONS**



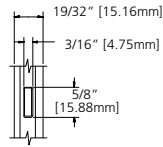
**7/8" SDL**



**1 1/8" SDL**



**1 3/8" SDL**

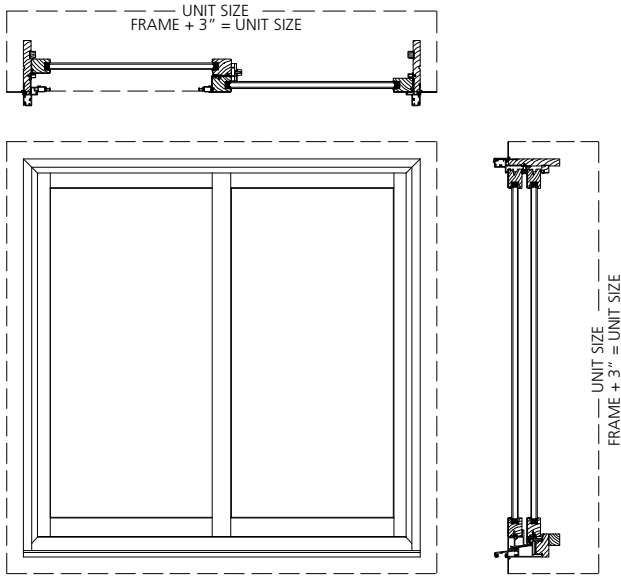


**5/8" GRILLE**

**UNIT SIZING, ROUGH OPENINGS  
& MASONRY OPENINGS**

**STANDARD OFFERING**

DRIP CAP & FOLDING NAILING FLANGE



**GENERAL NOTES:**

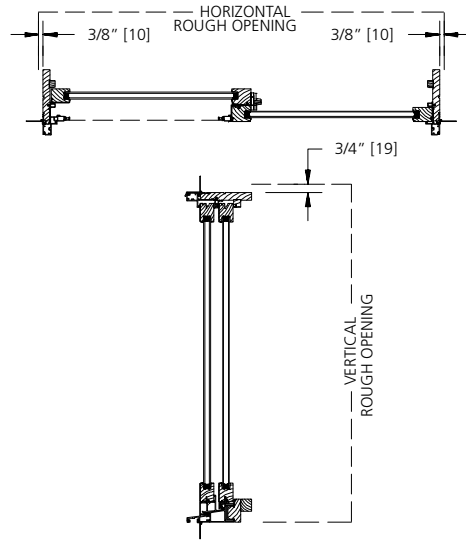
UNITS WITH NO TRIM AND SILL NOSE:  
UNIT SIZE = FRAME SIZE + 3"

UNIT SIZE IS ALWAYS THE  
EXTREME SIZE OF THE WINDOW  
WITH OR WITHOUT TRIM

MASONRY OPENING:  
MASONRY OPENING IS ALWAYS 3/4" OVER THE FRAME  
SIZE OF A WINDOW WITHOUT EXTERIOR TRIM AND 3/4"  
OVER THE UNIT SIZE OF A WINDOW WITH EXTERIOR TRIM

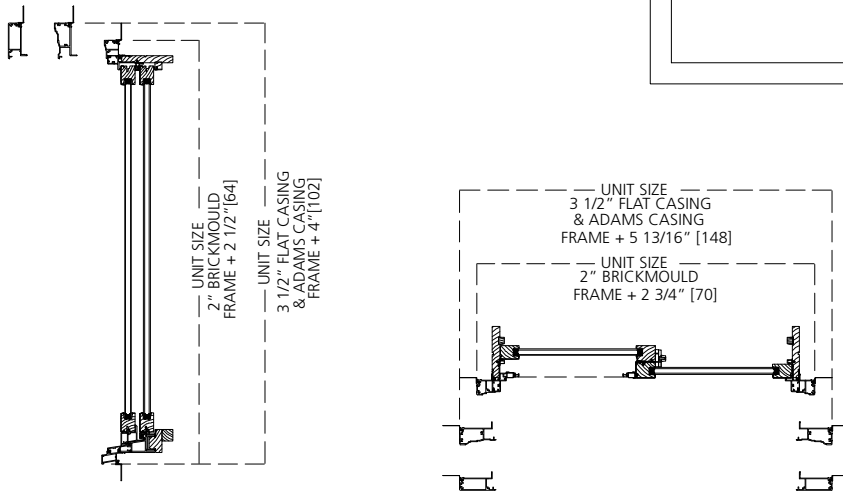
**ROUGH OPENING:**

ROUGH OPENING IS ALWAYS 3/4" OVER  
FRAME SIZE OF THE WINDOW

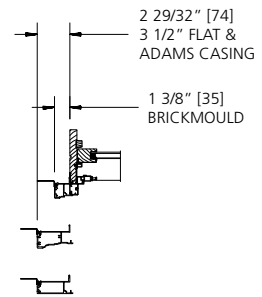


**NON-STANDARD UNIT SIZING**

EXTERIOR TRIM OFFERINGS WITH SILL NOSE  
EXTERIOR TRIM MUST USE SILL NOSE

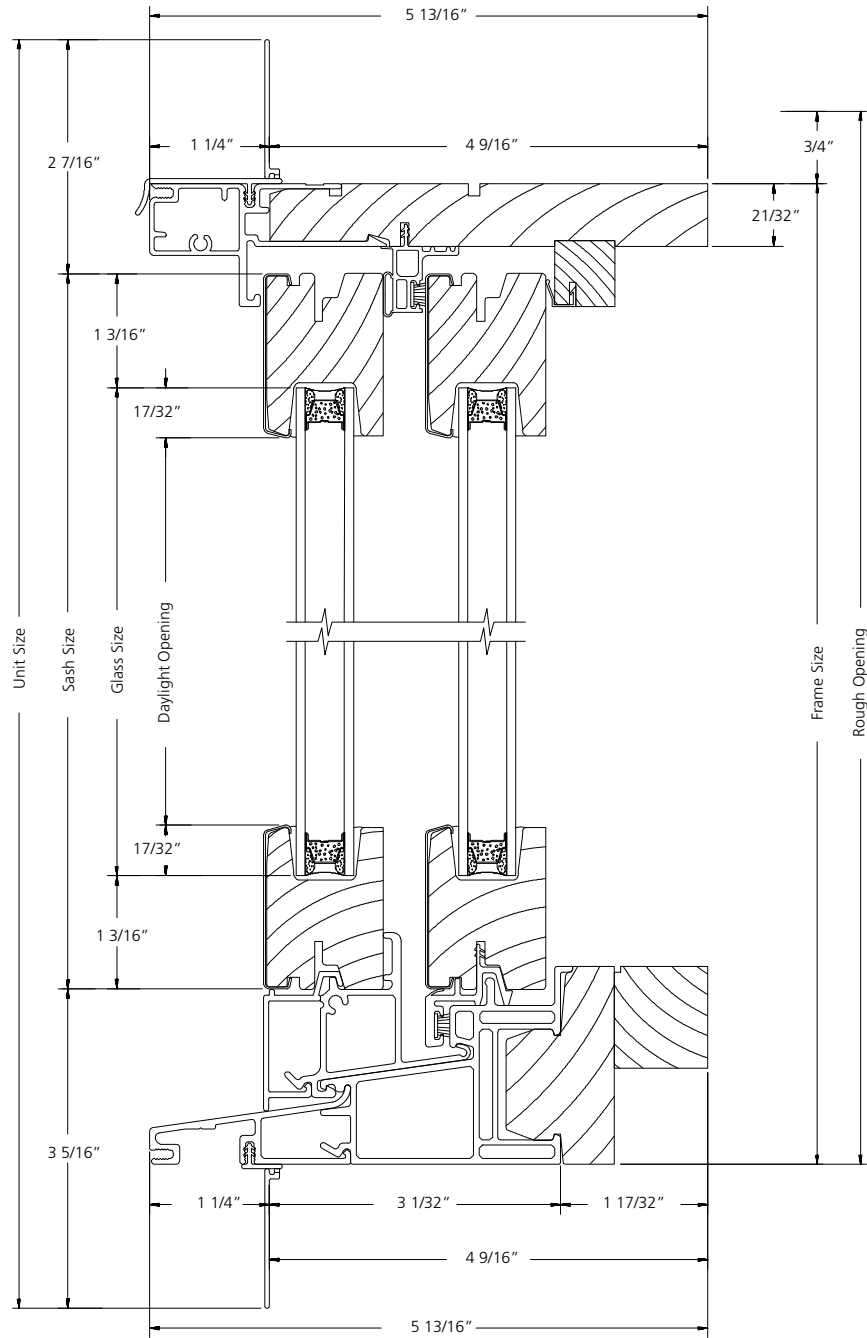


**FRAME TO TRIM  
DIMENSIONS**



TYPICAL FOR HEAD & SIDES

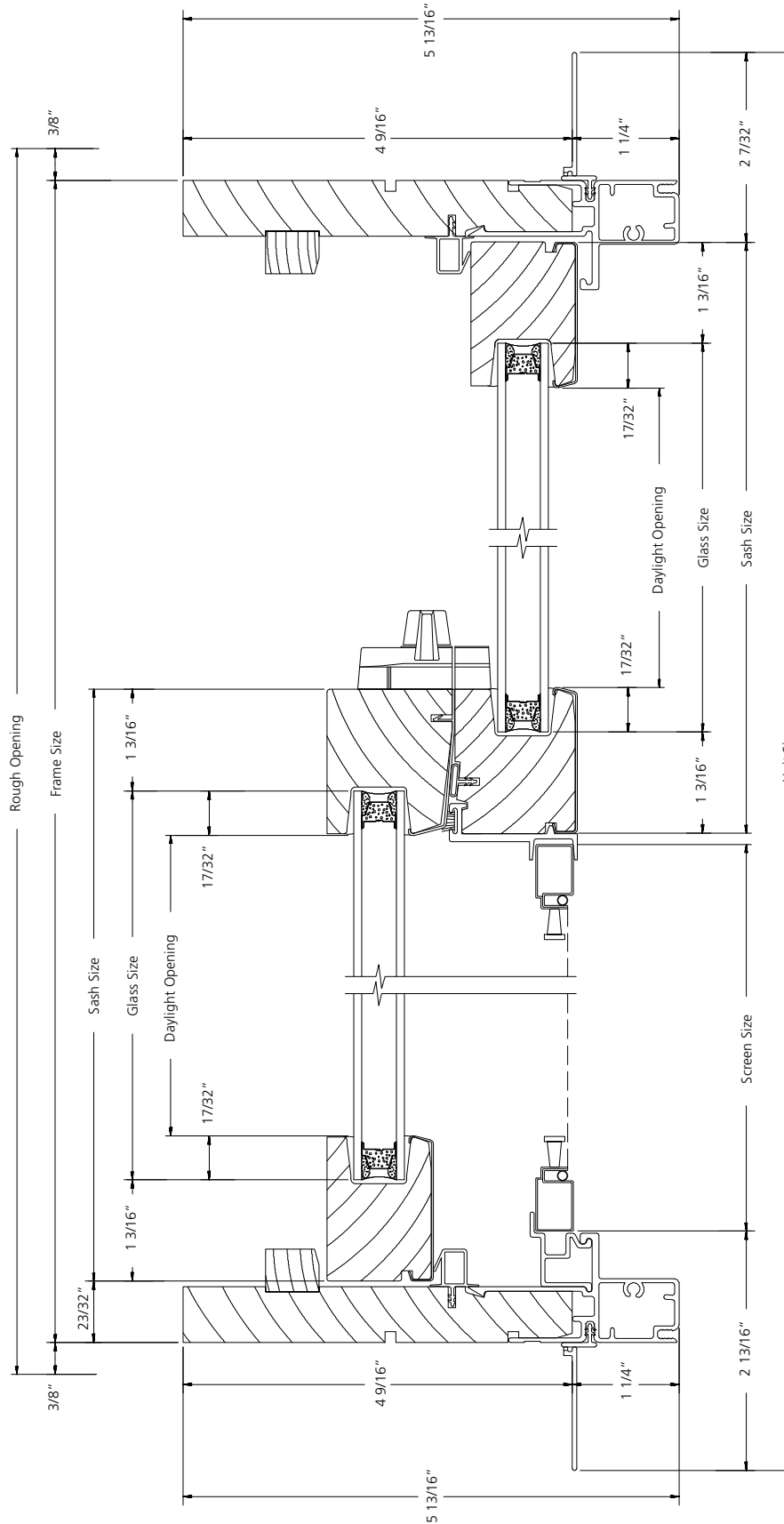
**SLIDING WINDOW**



**VERTICAL SECTION**

SCALE: 6" = 1'

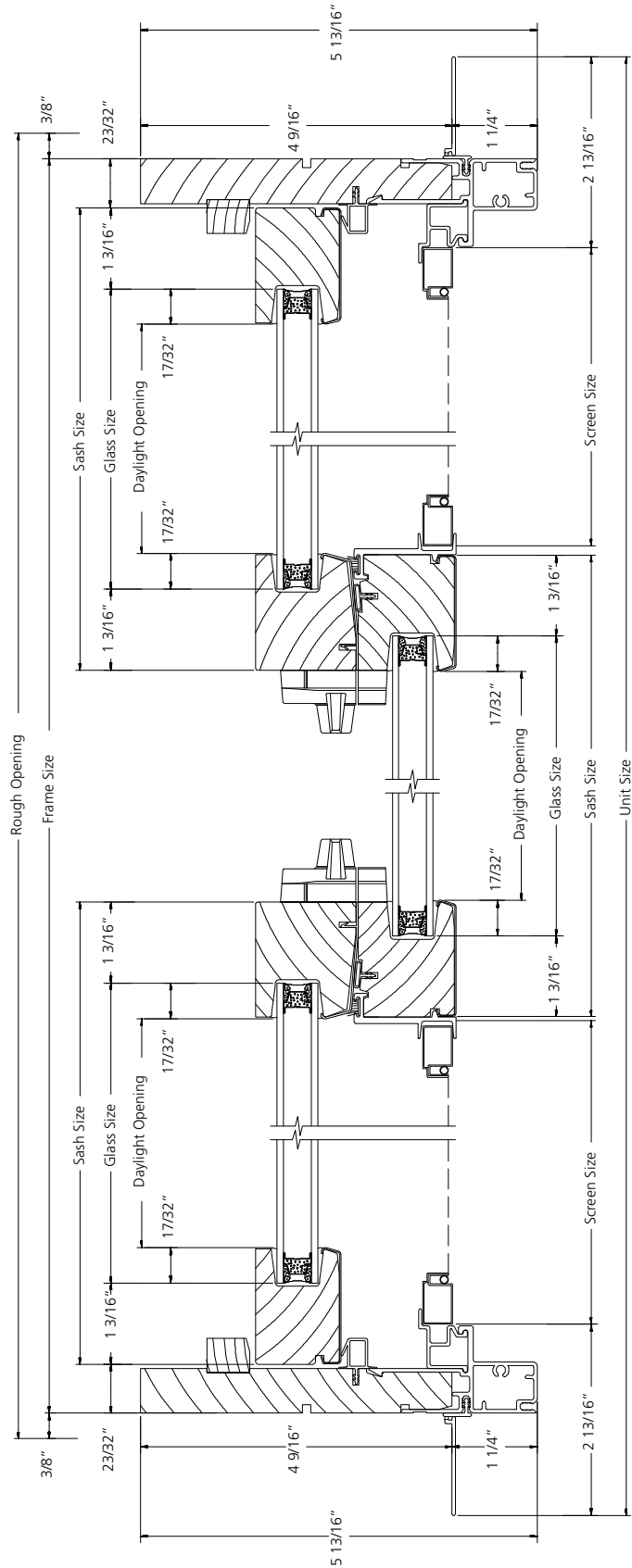
**SLIDING WINDOW**



**HORIZONTAL SECTION**

SCALE: 6" = 1'

**3-PANEL SLIDING WINDOW**



**HORIZONTAL SECTION**

SCALE: 6" = 1'