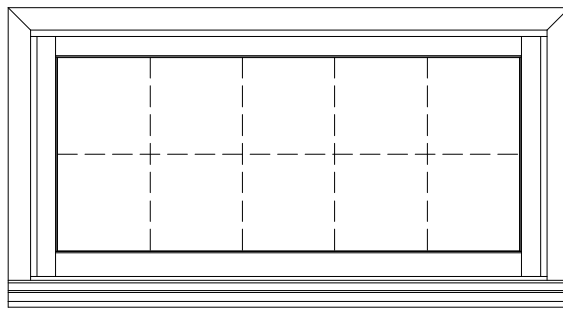

TABLE OF CONTENTS

Elevations/Sizes: 1/4" Scale	
French View Transoms	14-4
Glazing Options: 3" Scale	14-7
Trim Options: 3" Scale	14-8
Standard Mullion Options	14-9
Lite Cut Information & Options	14-10
Unit Sizing, Rough Openings & Masonry Openings	14-12
Section Details: 6" Scale	14-13

GENERAL INFORMATION

STANDARD SIZES & DESIGNS

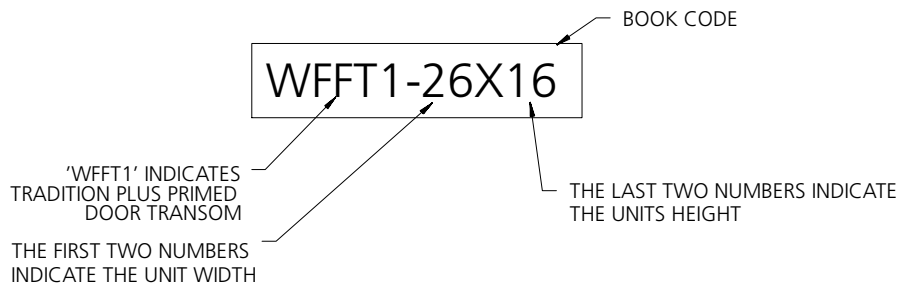
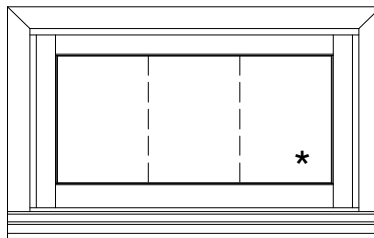
Wood door transom windows are produced one-at-a-time to customer order, and are available in a nearly infinite range of sizes and shapes.



SCALE: 1/4" = 1'

ELEVATION NOTES

ELEVATION DRAWINGS UTILIZE A LIMITED NUMBER OF PROJECTED LINES TO PRODUCE A RUDIMENTARY DRAWING INTENDED TO BE USED IN A SMALL GRAPHICAL SCALE. ELEVATIONS ARE VIEWED PERPENDICULAR FROM THE EXTERIOR OF THE STRUCTURE. IF MORE DIMENSIONS ARE NEEDED, USE THE SECTION DRAWINGS (Pages 14 through 20) FOR MORE COMPLETE DEPICTIONS.



GENERAL CASEMENT NOTES

1. TRADITION PLUS WOOD DOOR TRANSOM UNITS ARE AVAILABLE AS STATIONARY UNITS ONLY.
2. UNIT ELEVATIONS ARE SHOWN WITHOUT EXTERIOR TRIMS.
3. DIMENSIONAL VALUES IN PARENTHESES ARE MILLIMETER CONVERSIONS.

ELEVATION SYMBOL LEGEND:

- M.O.** MASONRY OPENING
- * ART GLASS OPTION AVAILABLE
- + TEMPERED GLASS STANDARD

SCALE: 1/4" = 1'

FRENCH VIEW TRANSOMS

	20 3/16" (513)	28 3/16" (716)	34 3/16" (868)	36 3/16" (919)	40 3/16" (1021)	50 15/16" (1294)	52 3/16" (1326)
M.O. BRICKMOLD	23 3/16" (589)	31 3/16" (792)	37 3/16" (945)	39 3/16" (995)	43 3/16" (1097)	53 15/16" (1370)	55 3/16" (1402)
M.O. ADAMS/FLAT CASING	17 1/4" (438)	25 1/4" (641)	31 1/4" (794)	33 1/4" (845)	37 1/4" (946)	48" (1219)	49 1/4" (1251)
ROUGH OPENING	16 3/4" (425)	24 3/4" (629)	30 3/4" (781)	32 3/4" (832)	36 3/4" (933)	47 1/2" (1207)	48 3/4" (1238)
FRAME SIZE	10" (254)	18" (457)	24" (610)	26" (660)	30" (762)	40 3/4" (1035)	42" (1067)
DAYLIGHT OPENING	17 3/32" (434)	18 19/32" (472)	15 1/2" (394)	15" (381)	8 1/4" (210)		
	20 3/32" (510)	21 19/32" (548)	18 1/2" (470)	18" (457)	11 1/4" (286)		
	26 3/32" (663)	27 19/32" (701)	24 1/2" (645)	24" (610)	17 1/4" (438)		
	38 3/32" (968)	39 19/32" (1006)	36 1/2" (927)	36" (914)	29 1/4" (743)		
	50 3/32" (1272)	51 19/32" (1310)	48 1/2" (1232)	48" (1219)	41 1/4" (1048)		
	WFFT1-14X13	WFFT1-20X13	WFFT1-26X13	WFFT1-28X13	WFFT1-30X13	WFT1-40X13	WFFT1-40X13
	WFFT1-14X16	WFFT1-20X16	WFFT1-26X16	WFFT1-28X16	WFFT1-30X16	WFT1-40X16	WFFT1-40X16
	WFFT1-14X20	WFFT1-20X20	WFFT1-26X20	WFFT1-28X20	WFFT1-30X20	WFT1-40X20	WFFT1-40X20
	WFFT1-14X30	WFFT1-20X30	WFFT1-26X30	WFFT1-28X30	WFFT1-30X30	WFT1-40X30	WFFT1-40X30
	WFFT1-14X40	WFFT1-20X40	WFFT1-26X40	WFFT1-28X40	WFFT1-30X40	WFT1-40X40	WFFT1-40X40

ELEVATION SYMBOL LEGEND:

M.O. = MASONRY OPENING
 VALUES IN () ARE IN MILLIMETER CONVERSIONS
 * ART GLASS OPTION AVAILABLE

Note Elevations shown DO NOT have exterior trim. Subtract 3/4" (19) from M.O. (Masonry Opening) for Unit Sizes. Masonry Openings above include Sill Nose, see Trim Options page for Sill Nose specifications. For other Trim Options refer to the Unit Sizing, Rough Opening & Masonry Openings page.

SCALE: 1/4" = 1'

FRENCH VIEW TRANSOMS

M.O. BRICKMOULD
M.O. ADAMS/FLAT CASING
ROUGH OPENING
FRAME SIZE
DAYLIGHT OPENING

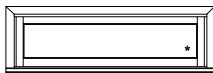
52 15/16" (1345)
55 15/16" (1421)
50" (1270)
49 1/2" (1257)
42 3/4" (1086)

62 15/16" (1599)
65 15/16" (1675)
60" (1524)
59 1/2" (1511)
52 3/4" (1340)

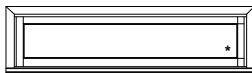
63 7/16" (1611)
66 7/16" (1688)
60 1/2" (1537)
60" (1524)
53 1/4" (1353)

64 15/16" (1649)
67 15/16" (1726)
62" (1575)
61 1/2" (1562)
54 3/4" (1391)

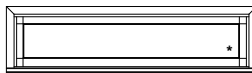
17 3/32" (434)
18 19/32" (472)
15 1/2" (394)
15" (381)
18" (457)
8 1/4" (210)



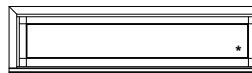
WFFT1-41X13



WFIT1-50X13



WFFT1-50X13



WFFT1-51X13

20 3/32" (510)
21 19/32" (548)
18 1/2" (470)
18" (457)
11 1/4" (286)



WFFT1-41X16



WFIT1-50X16

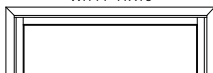


WFFT1-50X16

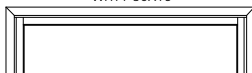


WFFT1-51X16

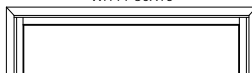
26 3/32" (663)
27 19/32" (701)
24 1/2" (645)
24" (610)
17 1/4" (438)



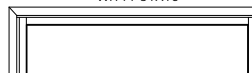
WFFT1-41X20



WFIT1-50X20

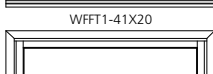


WFFT1-50X20

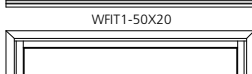


WFFT1-51X20

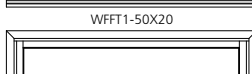
38 3/32" (968)
39 19/32" (1006)
36 1/2" (927)
36" (914)
29 1/4" (743)



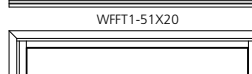
WFFT1-41X30



WFIT1-50X30



WFFT1-50X30



WFFT1-51X30

50 3/32" (1272)
51 19/32" (1310)
48 1/2" (1232)
48" (1219)
41 1/4" (1048)



WFFT1-41X40



WFIT1-50X40



WFFT1-50X40



WFFT1-51X40

M.O. BRICKMOULD
M.O. ADAMS/FLAT CASING
ROUGH OPENING
FRAME SIZE
DAYLIGHT OPENING

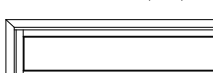
66 15/16" (1700)
69 15/16" (1776)
64" (1626)
63 1/2" (1613)
56 3/4" (1441)

67 7/16" (1713)
70 7/16" (1789)
64 1/2" (1638)
64" (1626)
57 1/4" (1454)

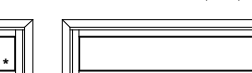
68 15/16" (1751)
71 15/16" (1827)
66" (1676)
65 1/2" (1664)
58 3/4" (1492)

74 15/16" (1903)
77 15/16" (1979)
72" (1829)
71 1/2" (1861)
64 3/4" (1645)

17 3/32" (434)
18 19/32" (472)
15 1/2" (394)
15" (381)
18" (457)
8 1/4" (210)



WFIT1-54X13



WFFT1-54X13



WFFT1-55X13



WFIT1-60X13

20 3/32" (510)
21 19/32" (548)
18 1/2" (470)
18" (457)
11 1/4" (286)



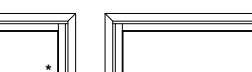
WFIT1-54X16



WFFT1-54X16

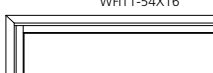


WFFT1-55X16

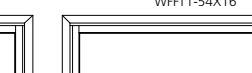


WFIT1-60X16

26 3/32" (663)
27 19/32" (701)
24 1/2" (645)
24" (610)
17 1/4" (438)



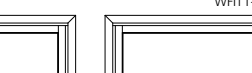
WFIT1-54X20



WFFT1-54X20

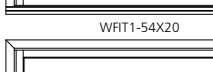


WFFT1-55X20

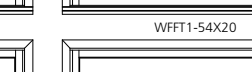


WFIT1-60X20

38 3/32" (968)
39 19/32" (1006)
36 1/2" (927)
36" (914)
29 1/4" (743)



WFIT1-54X30



WFFT1-54X30



WFFT1-55X30



WFIT1-60X30

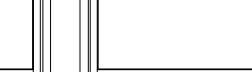
50 3/32" (1272)
51 19/32" (1310)
48 1/2" (1232)
48" (1219)
41 1/4" (1048)



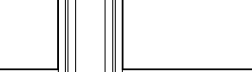
WFIT1-54X40



WFFT1-54X40



WFFT1-55X40



WFIT1-60X40

ELEVATION SYMBOL LEGEND:
M.O. = MASONRY OPENING
VALUES IN () ARE IN MILLIMETER CONVERSIONS
* ART GLASS OPTION AVAILABLE

Note Elevations shown DO NOT have exterior trim. Subtract 3/4" (19) from M.O. (Masonry Opening) for Unit Sizes. Masonry Openings above include Sill Nose, see Trim Options page for Sill Nose specifications. For other Trim Options refer to the Unit Sizing, Rough Opening & Masonry Openings page.

SCALE: 1/4" = 1'

FRENCH VIEW TRANSOMS

M.O. BRICKMOULD
M.O. ADAMS/FLAT CASING
ROUGH OPENING
FRAME SIZE
DAYLIGHT OPENING

75 7/16" (1916)
78 7/16" (1992)
72 1/2" (1842)
72" (1829)
65 1/4" (1657)

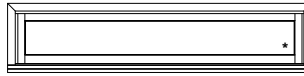
76 15/16" (1954)
79 15/16" (2030)
74" (1880)
73 1/2" (1867)
66 3/4" (1695)

78 15/16" (2005)
81 15/16" (2081)
76" (1930)
75 1/2" (1918)
68 3/4" (1746)

17 3/32" (434)
18 19/32" (472)
15 1/2" (394)
15" (381)
8 1/4" (210)



WFFT1-60X13



WFFT1-61X13



WFFT1-64X13

20 3/32" (510)
21 19/32" (548)
18 1/2" (470)
18" (457)
11 1/4" (286)



WFFT1-60X16



WFFT1-61X16



WFFT1-64X16

26 3/32" (663)
27 19/32" (701)
24 1/2" (645)
24" (610)
17 1/4" (438)



WFFT1-60X20



WFFT1-61X20



WFFT1-64X20

38 3/32" (968)
39 19/32" (1006)
36 1/2" (927)
36" (914)
29 1/4" (743)



WFFT1-60X30



WFFT1-61X30



WFFT1-64X30

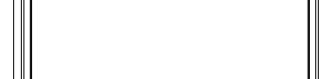
50 3/32" (1272)
51 19/32" (1310)
48 1/2" (1232)
48" (1219)
41 1/4" (1048)



WFFT1-60X40



WFFT1-61X40



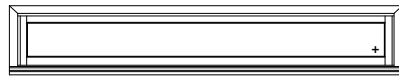
WFFT1-64X40

M.O. BRICKMOULD
M.O. ADAMS/FLAT CASING
ROUGH OPENING
FRAME SIZE
DAYLIGHT OPENING

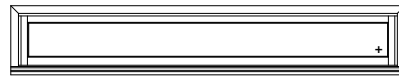
98 15/16" (2513)
101 15/16" (2588)
96" (2438)
95 1/2" (2426)
88 3/4" (2254)

99 7/16" (2526)
102 7/16" (2602)
96 1/2" (2451)
96" (2438)
89 1/4" (2267)

17 3/32" (434)
18 19/32" (472)
15 1/2" (394)
15" (381)
8 1/4" (210)



WFIT1-80X13



WFFT1-80X13

20 3/32" (510)
21 19/32" (548)
18 1/2" (470)
18" (457)
11 1/4" (286)



WFIT1-80X16



WFFT1-80X16

26 3/32" (663)
27 19/32" (701)
24 1/2" (645)
24" (610)
17 1/4" (438)



WFIT1-80X20



WFFT1-80X20

38 3/32" (968)
39 19/32" (1006)
36 1/2" (927)
36" (914)
29 1/4" (743)



WFIT1-80X30



WFFT1-80X30

50 3/32" (1272)
51 19/32" (1310)
48 1/2" (1232)
48" (1219)
41 1/4" (1048)



WFIT1-80X40



WFFT1-80X40

ELEVATION SYMBOL LEGEND:

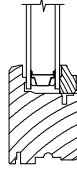
M.O. = MASONRY OPENING
VALUES IN () ARE IN MILLIMETER CONVERSIONS
* ART GLASS OPTION AVAILABLE
+ TEMPERED GLASS STANDARD

Note Elevations shown DO NOT have exterior trim. Subtract 3/4" (19) from M.O. (Masonry Opening) for Unit Sizes. Masonry Openings above include Sill Nose, see Trim Options page for Sill Nose specifications. For other Trim Options refer to the Unit Sizing, Rough Opening & Masonry Openings page.

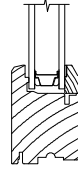
SCALE: 1/4" = 1'

GLAZING OPTIONS

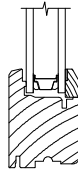
INTERIOR GLAZED



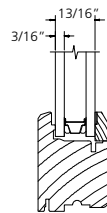
SS//SS



DS//DS



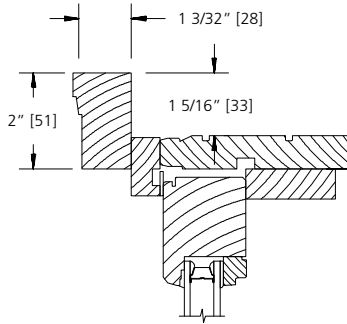
5/32//5/32



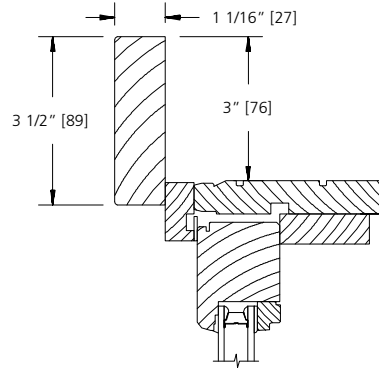
3/16//3/16

TRIM OPTIONS

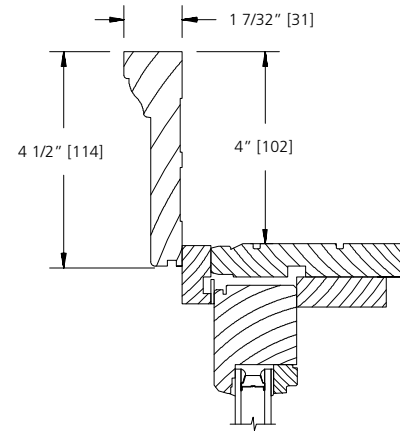
EXTERIOR TRIM



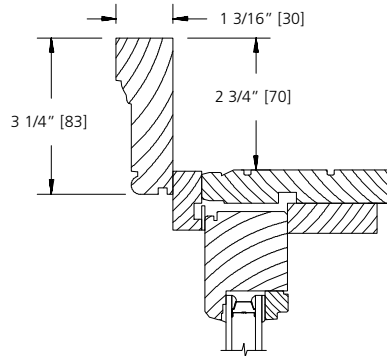
BRICKMOULD



FLAT CASING

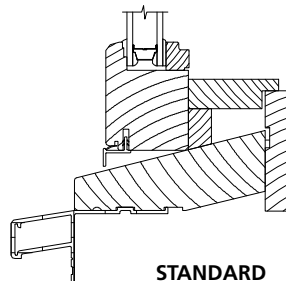


1 X 4 BACK BAND



WILLIAMSBURG

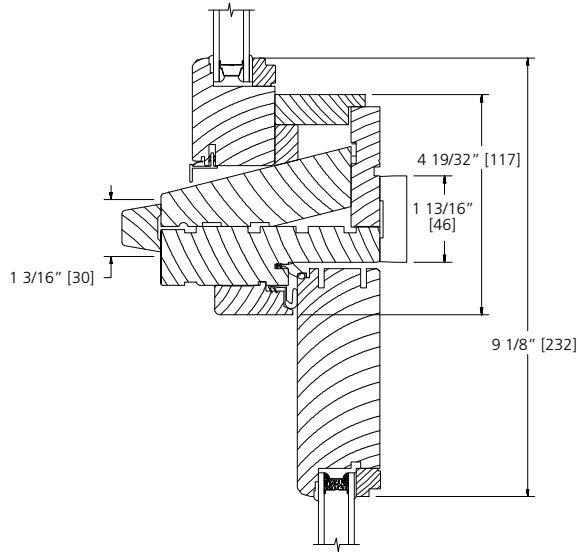
SUBSILL OPTIONS



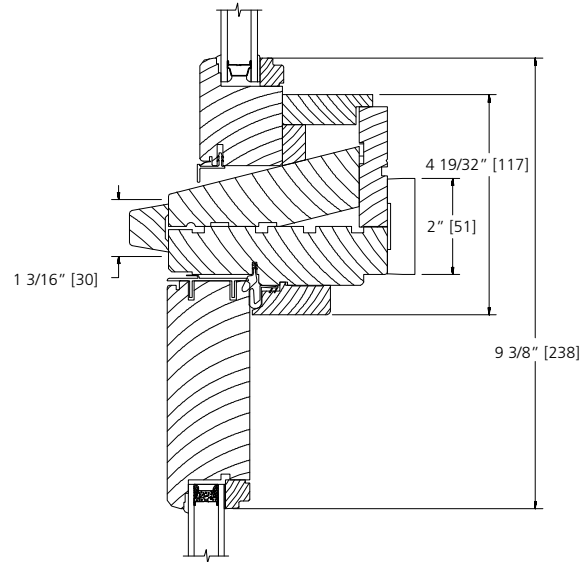
STANDARD

SCALE: 3" = 1'

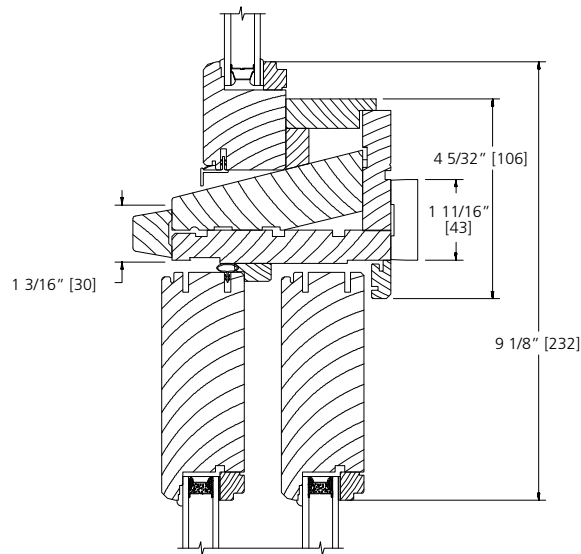
STANDARD MULLION OPTIONS



**IN-SWING PATIO DOOR
 WITH TRANSOM**



**OUT-SWING PATIO DOOR
 WITH TRANSOM**



**FRENCH SLIDING PATIO DOOR
 WITH TRANSOM**

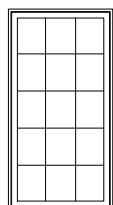
SCALE: 3" = 1'

LITE CUT INFORMATION

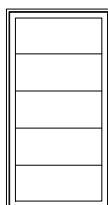
Wood door transom windows are available with removable grilles in 7/8", 1-1/8" and 1-3/8" widths, Airspace (between the panes) grilles, and Simulated Divided Lites. Standard lite cuts are rectangular.

LITE CUT OPTIONS

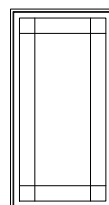
Special lite cut patterns can include a wide variety of straight line and radius patterns. The illustrations shown here represent just a few of the possibilities. Rectangular, horizontal, vertical and Prairie lite patterns are available in all standard size clad insash geometric windows. Uneven, diamond, radius and Gothic lite cuts are available, subject to approval. Approvals are based on the ability to fulfill the design requirement while maintaining the construction integrity of the finished product.



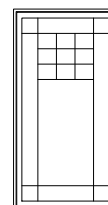
RECTANGULAR



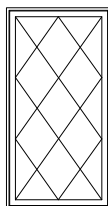
HORIZONTAL



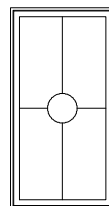
PRAIRIE



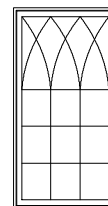
UNEVEN



DIAMOND
SDL ONLY



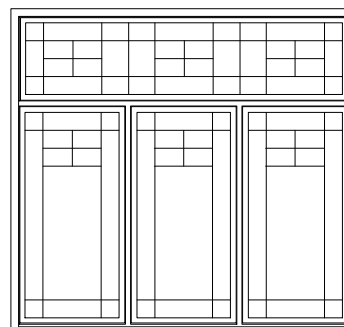
RADIUS



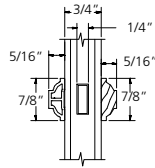
GOTHIC
SDL ONLY

BAR ALIGNMENT

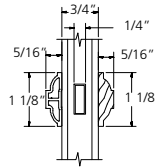
Alignment of divided lite muntin bars from one window to the next is often required by fine architectural design. Wood grilles, Airspace grilles, and Simulated Divided Lites may be specified with muntin bars aligned.



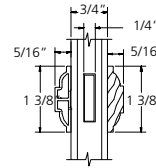
DIVIDED LITE OPTIONS



7/8" SDL

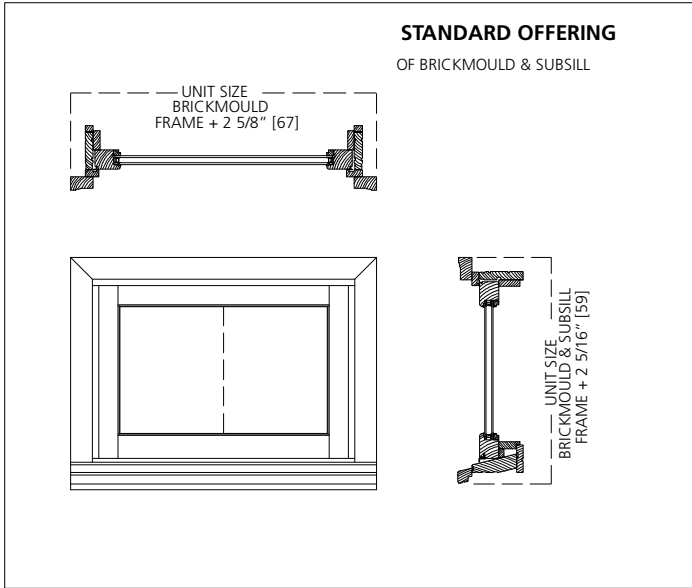


1 1/8" SDL



1 3/8" SDL

**UNIT SIZING, ROUGH OPENINGS
& MASONRY OPENINGS**



GENERAL NOTES:

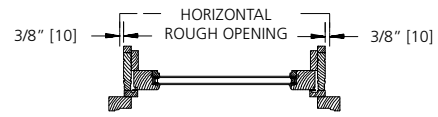
UNITS WITH NO TRIM AND SUBSILL:
UNIT SIZE = FRAME SIZE

UNIT SIZE IS ALWAYS THE
EXTREME SIZE OF THE WINDOW
WITH OR WITHOUT TRIM

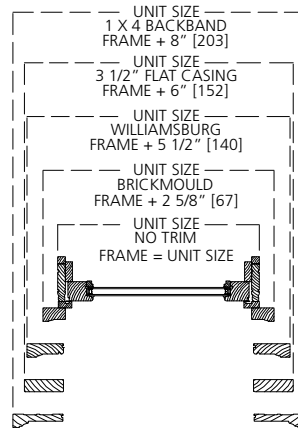
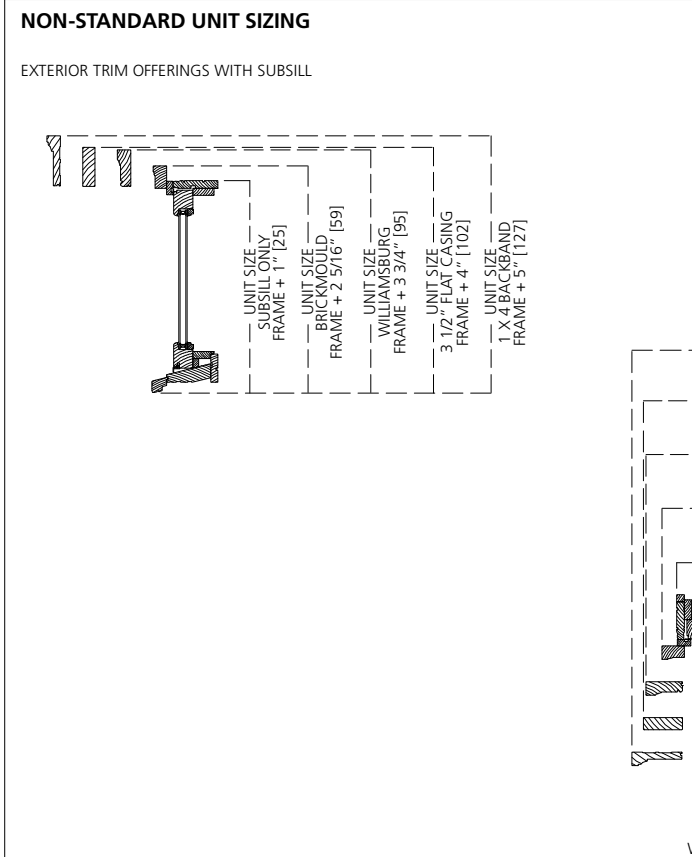
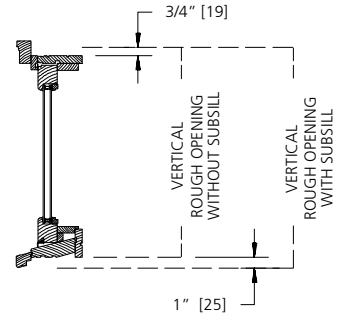
MASONRY OPENING:
MASONRY OPENING IS ALWAYS 1/2" OVER
THE UNIT SIZE OF THE WINDOW

ROUGH OPENING:

ROUGH OPENING IS ALWAYS 3/4" OVER
FRAME SIZE OF THE WINDOW

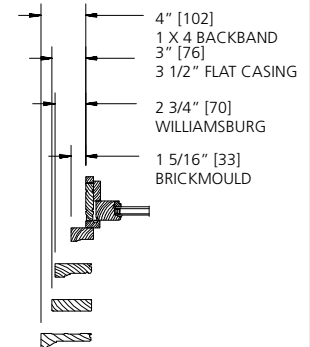


EXCEPTION: SEE DRAWING BELOW



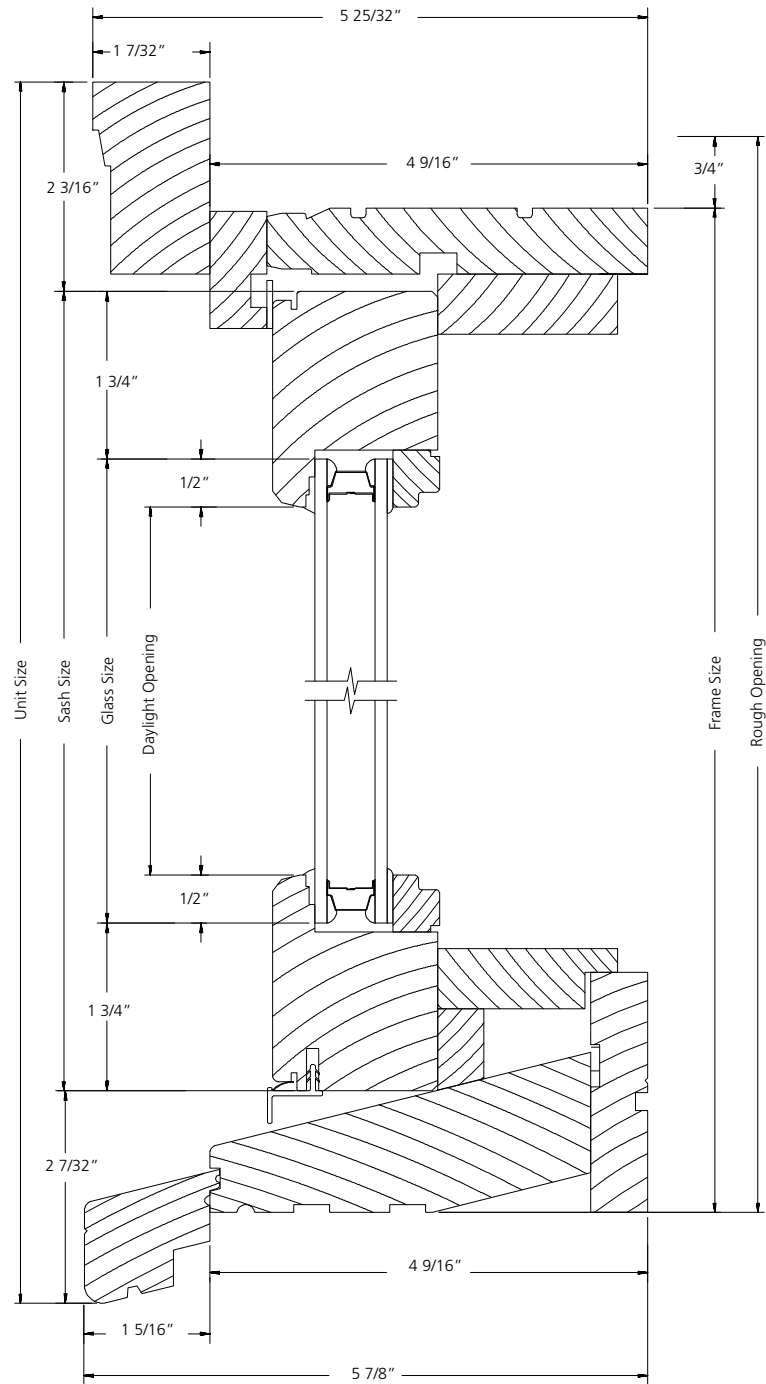
HORIZONTAL SECTION
TRIM OFFERINGS
ABOVE ARE THE SAME
WITH OR WITHOUT SUBSILL

**FRAME TO TRIM
DIMENSIONS**



TYPICAL FOR HEAD, SILL & SIDE

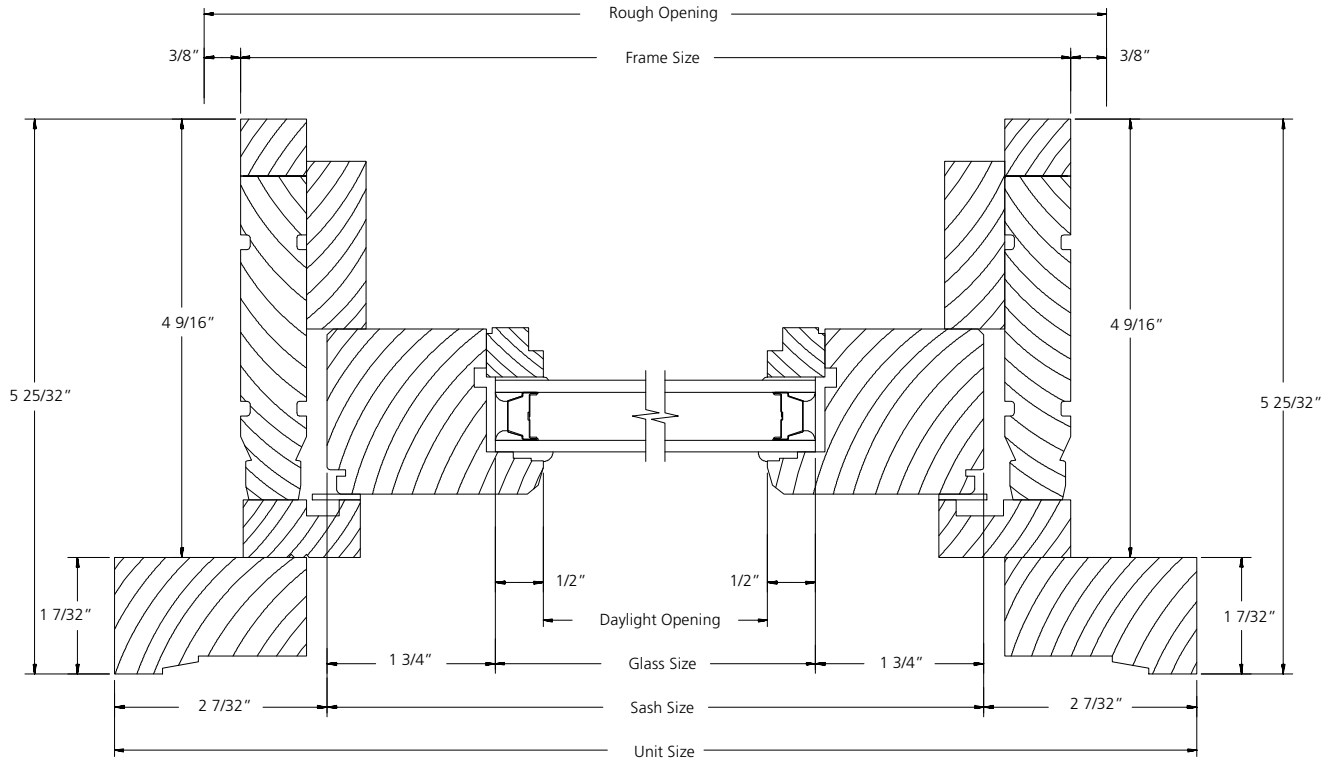
FRENCH VIEW TRANSOM



VERTICAL SECTION

SCALE: 6" = 1'

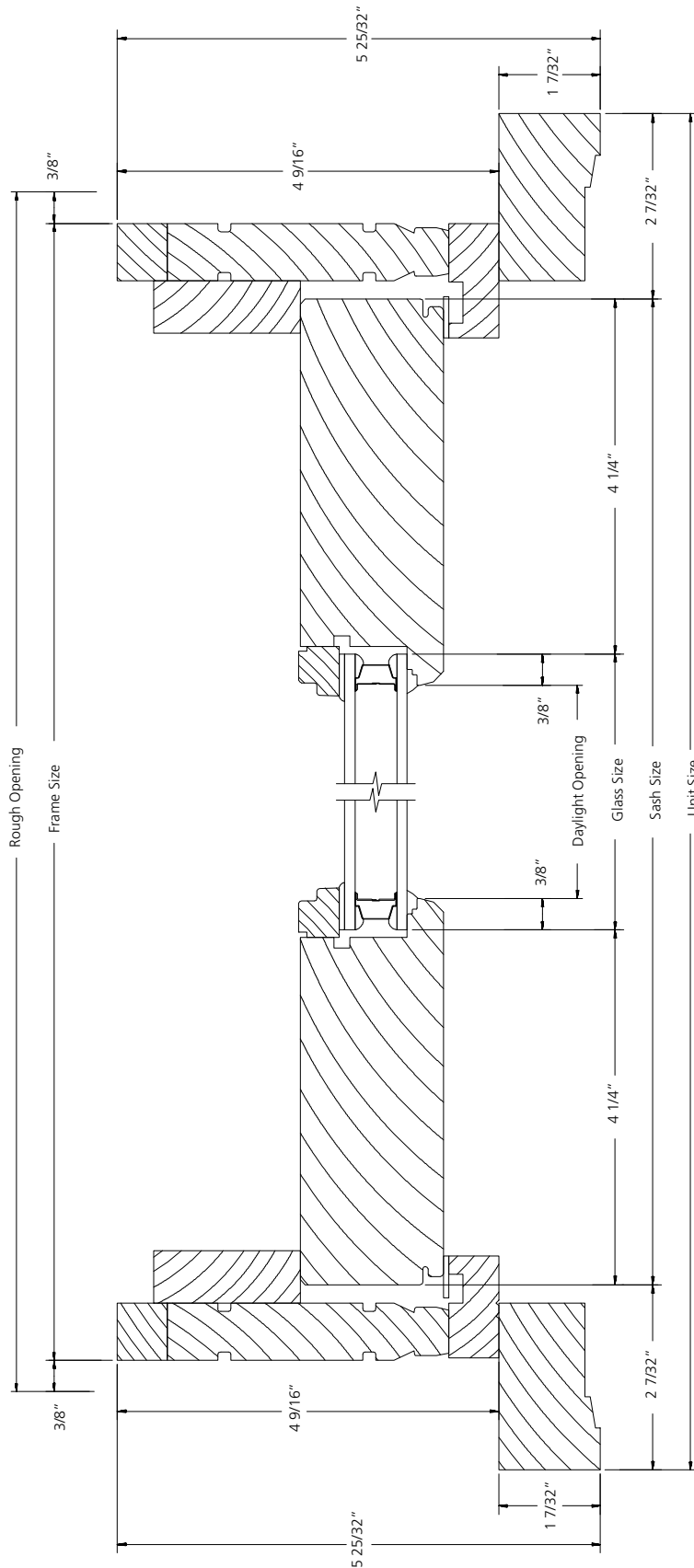
**DOOR TRANSOM
NARROW STILE**



HORIZONTAL SECTION

SCALE: 6" = 1'

**DOOR TRANSOM
WIDE STILE**



HORIZONTAL SECTION

SCALE: 6" = 1'