
TABLE OF CONTENTS

2-PANEL DOORS

Elevations: 1/8" Scale

A102

A412

A1202

A1222

A1302

A1322

Decorative Hardware

Glass Design Options - A102

Section Details

A102

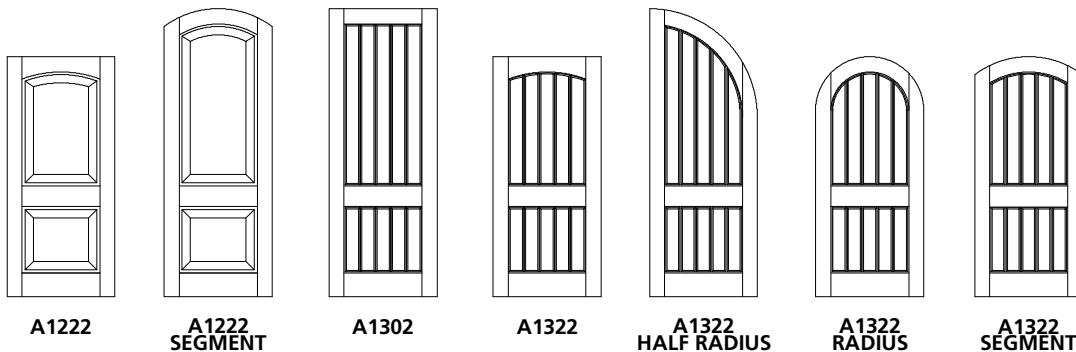
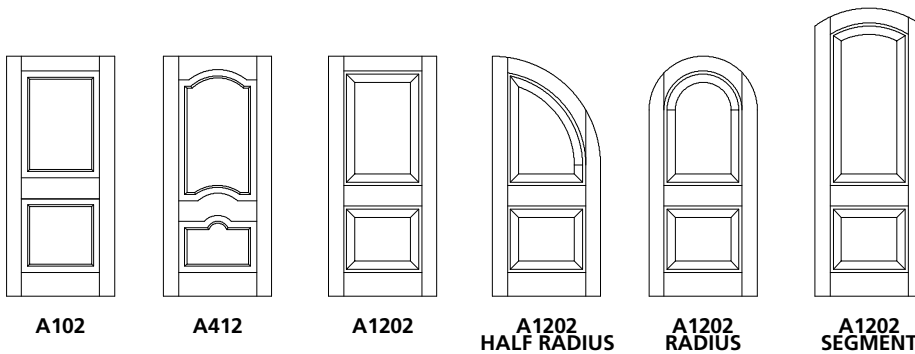
A412

A1202

A1222

A1302

A1322



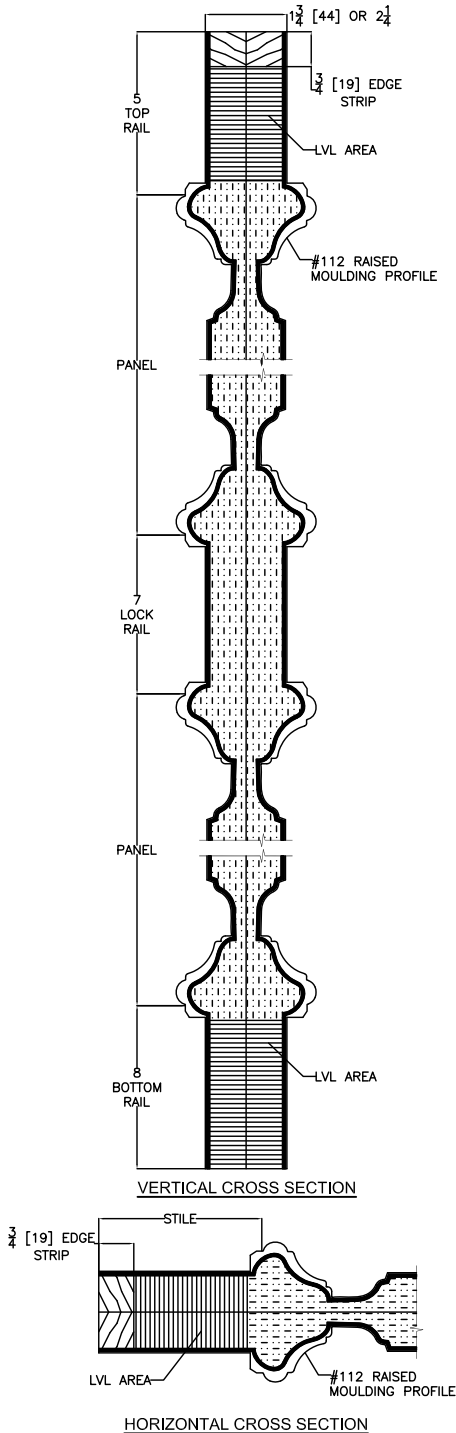
ELEVATION NOTES

Door Size = Book Size Before Profit
 Daylight Opening (DLO) = Visible Glass
 Values in brackets [] are millimeter conversions.

20 Minute Fire Rating: This all-panel door is available as a certified 20 minute fire rated door, designed to meet or exceed local building codes for both residential and light commercial use. Certified sizes for the 20-minute fire rating range up to 3'0" x 8'0".

DOOR CROSS-SECTION

Moulding Profile = 112
 Panel Profile = Double Hip
 See A102 Cross Section sheet for more detail.



Door Size
 Daylight Opening

36" [914]
 n/a

42" [1067]
 n/a

80" [2032]
 n/a

84" [2134]
 n/a

96" [2438]
 n/a

Sidelight Size
 Daylight Opening

12" [305]
 6" [152]

13" [330]
 6" [152]

14" [356]
 6" [152]

15" [381]
 6" [152]

16" [406]
 9" [229]

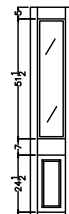
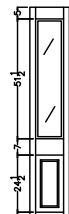
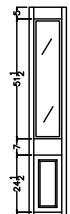
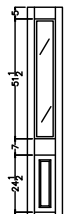
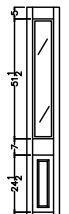
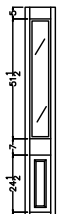
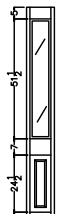
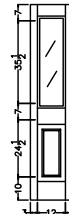
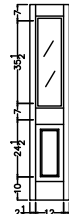
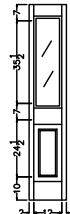
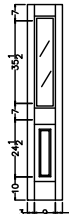
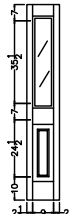
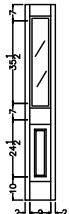
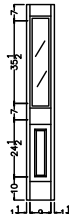
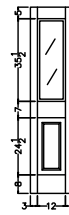
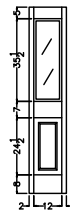
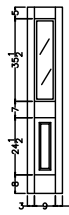
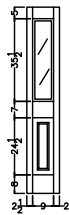
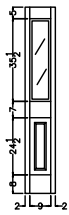
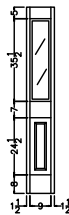
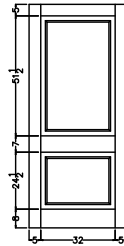
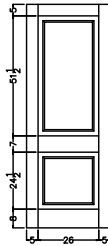
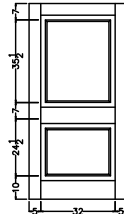
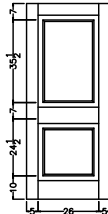
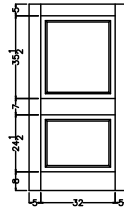
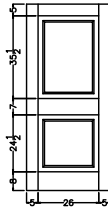
17" [432]
 9" [229]

18" [457]
 9" [229]

80" [2032]
 32 1/2" [826]

84" [2134]
 32 1/2" [826]

96" [2438]
 48 1/2" [1232]



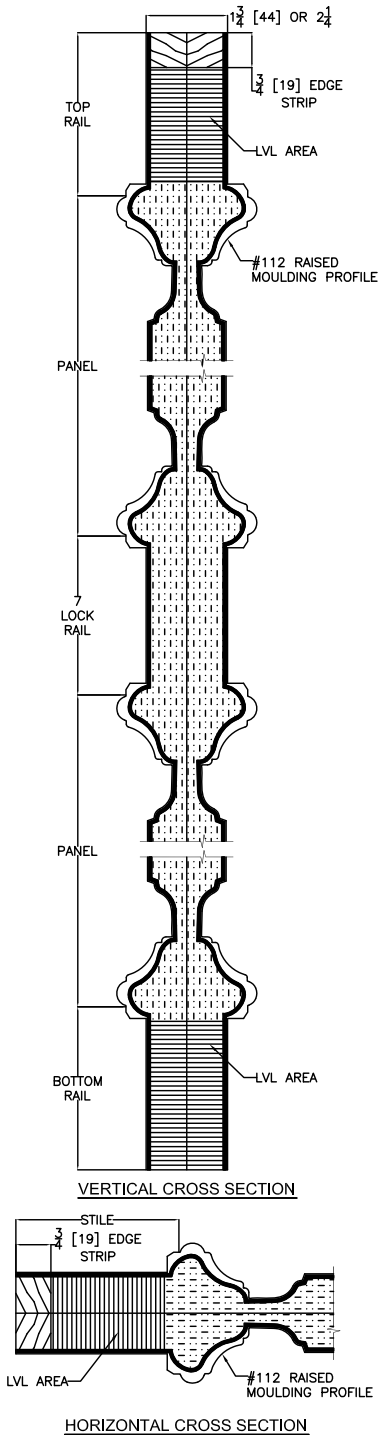
ELEVATION NOTES

Door Size = Book Size Before Prefit
Daylight Opening (DLO) = Visible Glass
Values in brackets [] are millimeter conversions.

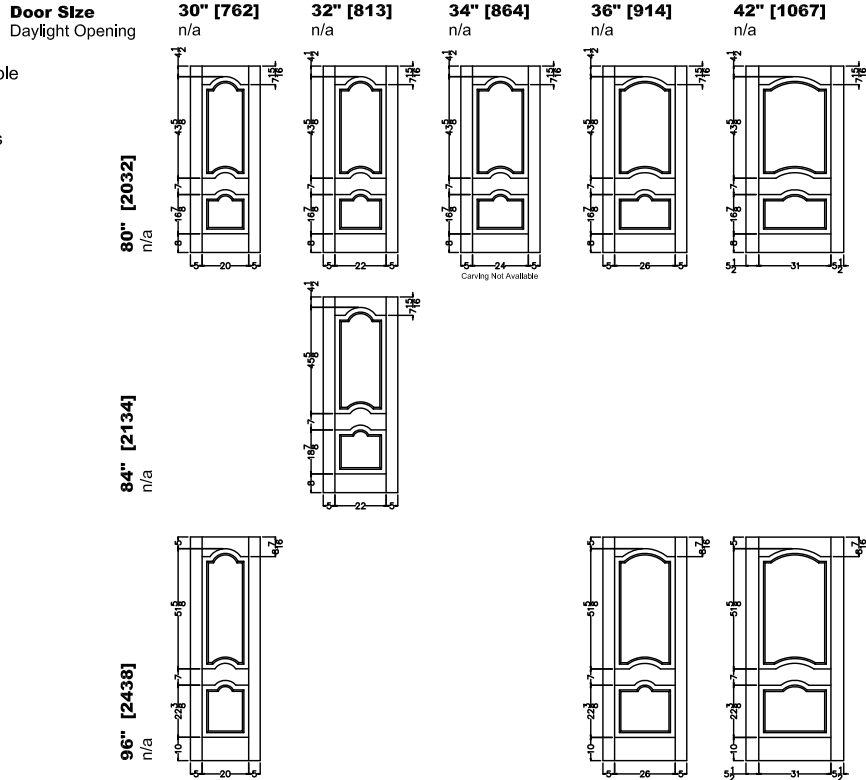
20 Minute Fire Rating: This all-panel door is available as a certified 20 minute fire rated door, designed to meet or exceed local building codes for both residential and light commercial use. Certified sizes for the 20-minute fire rating range up to 3'0" x 8'0".

DOOR CROSS-SECTION

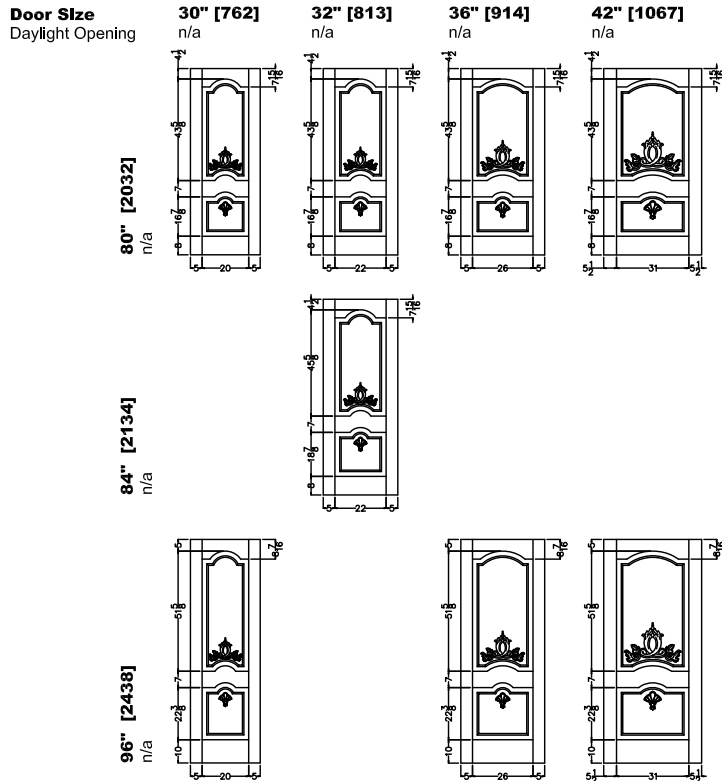
Moulding Profile = 112
Panel Profile = Double Hip
See A412 Cross Section sheet for more detail.



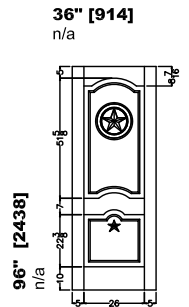
WITHOUT CARVING



STANDARD CARVING



"LONE STAR" CARVING



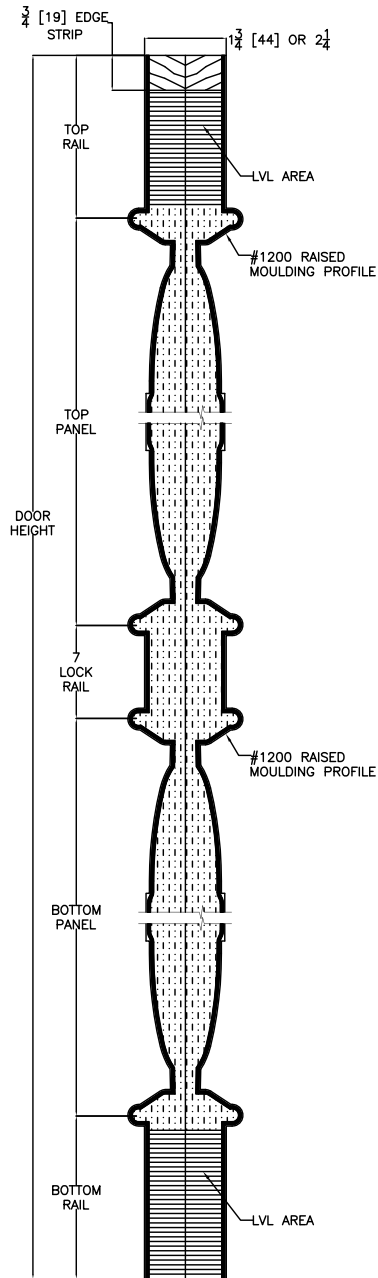
ELEVATION NOTES

Door Size = Book Size Before Prefit
Daylight Opening (DLO) = Visible Glass
Values in brackets [] are millimeter conversions.

20 Minute Fire Rating: This all-panel door is available as a certified 20 minute fire rated door, designed to meet or exceed local building codes for both residential and light commercial use. Certified sizes for the 20-minute fire rating range up to 3'0" x 8'0".

DOOR CROSS-SECTION

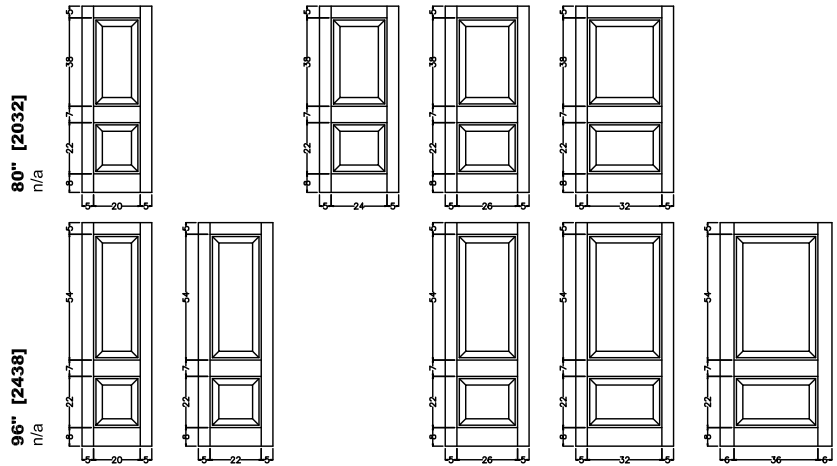
Moulding Profile = 1200
Panel Profile = Convex Long (Estate)
See A1202 Cross Section sheet for more detail.



VERTICAL CROSS SECTION

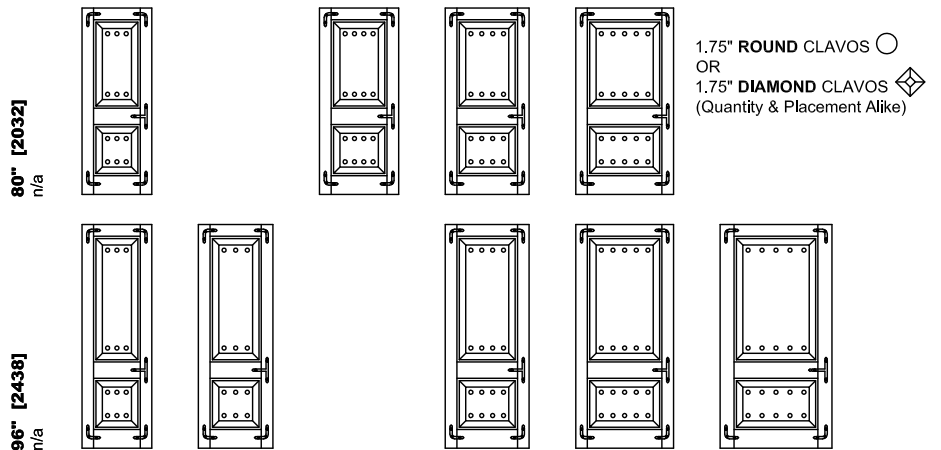
WITHOUT HARDWARE

Door Size	30" [762]	32" [813]	34" [864]	36" [914]	42" [1067]	48" [1219]
Daylight Opening	n/a	n/a	n/a	n/a	n/a	n/a



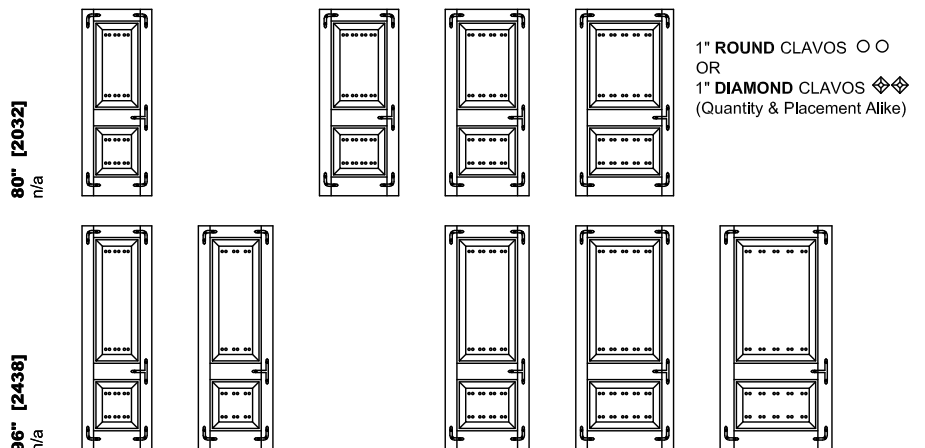
WITH 1.75" CLAVOS & STRAPS (Hardware Optional/Custom Placement Available)

Door Size	30" [762]	32" [813]	34" [864]	36" [914]	42" [1067]	48" [1219]
Daylight Opening	n/a	n/a	n/a	n/a	n/a	n/a



WITH 1" CLAVOS & STRAPS (Hardware Optional/Custom Placement Available)

Door Size	30" [762]	32" [813]	34" [864]	36" [914]	42" [1067]	48" [1219]
Daylight Opening	n/a	n/a	n/a	n/a	n/a	n/a



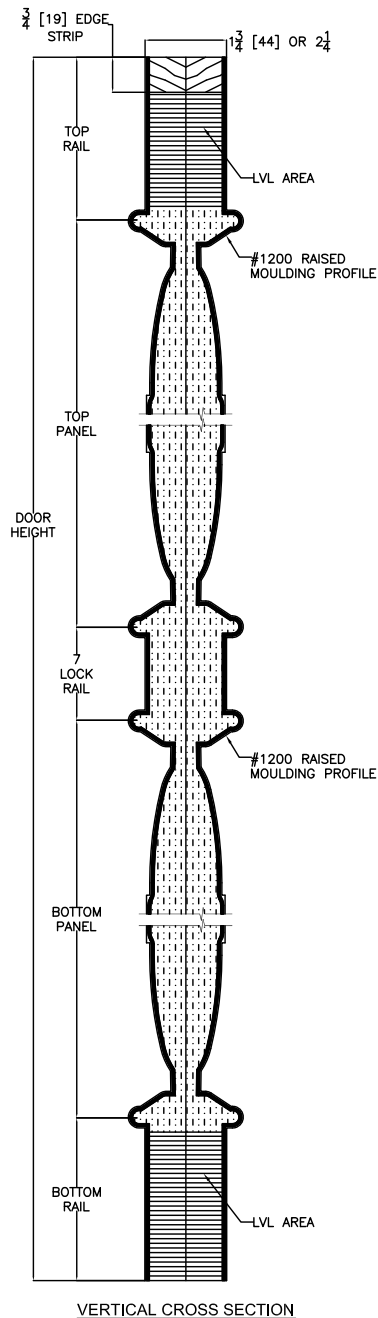
ELEVATION NOTES

Door Size = Book Size Before Fit
Daylight Opening (DLO) = Visible Glass
Values in brackets [] are millimeter conversions.

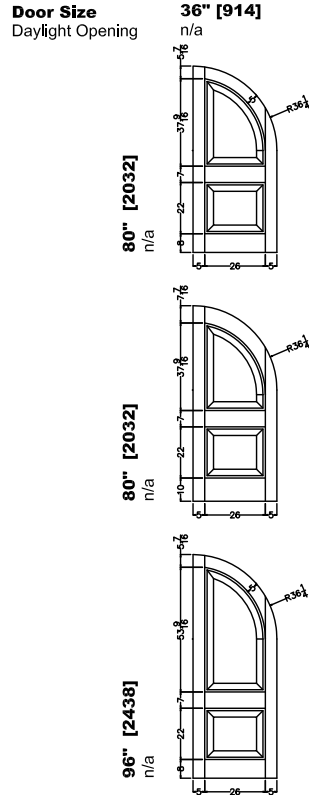
20 Minute Fire Rating: This all-panel door is available as a certified 20 minute fire rated door, designed to meet or exceed local building codes for both residential and light commercial use. Certified sizes for the 20-minute fire rating range up to 3'0" x 8'0".

DOOR CROSS-SECTION

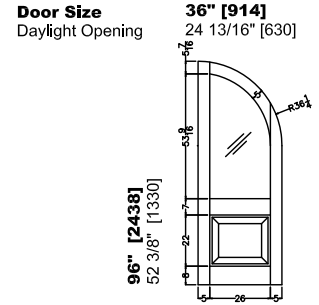
Moulding Profile = 1200 / 141
Panel Profile = Convex Long (Estate)
See A1202 Cross Section sheet for more detail.



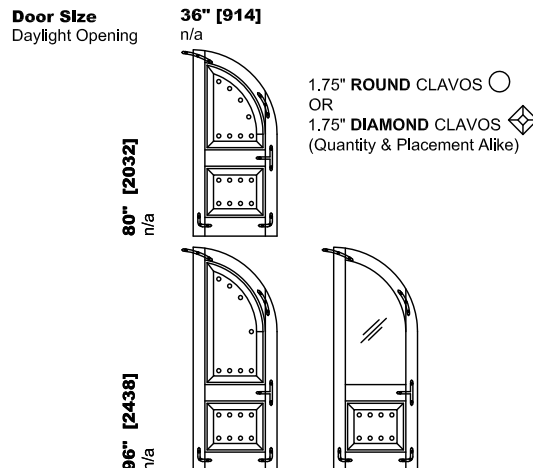
ALL PANEL-WITHOUT HARDWARE



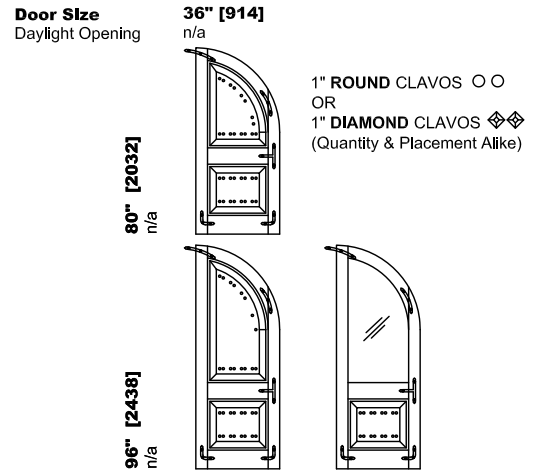
GLAZED-WITHOUT HARDWARE



WITH 1.75" CLAVOS & STRAPS (Hardware Optional/ Custom Placement Available)



WITH 1" CLAVOS & STRAPS (Hardware Optional/ Custom Placement Available)



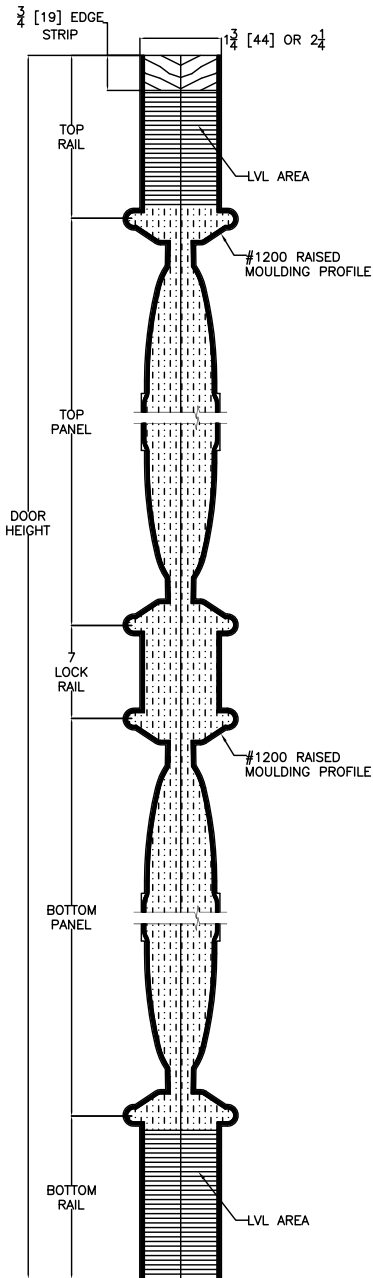
ELEVATION NOTES

Door Size = Book Size Before Prefit
Daylight Opening (DLO) = Visible Glass
Values in brackets [] are millimeter conversions.

20 Minute Fire Rating: This all-panel door is available as a certified 20 minute fire rated door, designed to meet or exceed local building codes for both residential and light commercial use. Certified sizes for the 20-minute fire rating range up to 3'0" x 8'0".

DOOR CROSS-SECTION

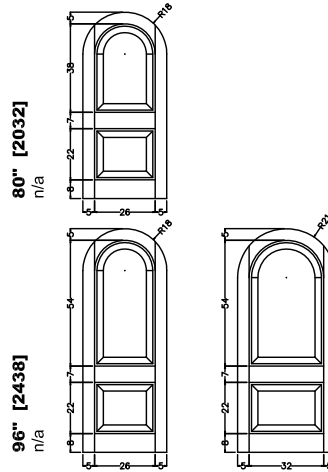
Moulding Profile = 1200
Panel Profile = Convex Long (Estate)
See A1202 Cross Section sheet for more detail.



VERTICAL CROSS SECTION

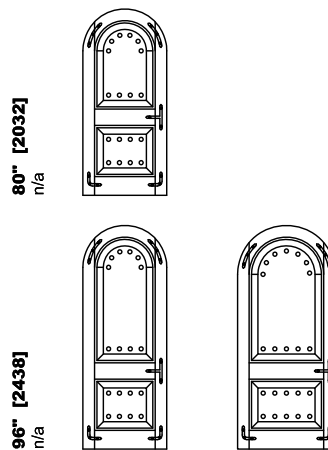
WITHOUT HARDWARE

Door Size	36" [914]	42" [1067]
Daylight Opening	n/a	n/a



WITH 1.75" CLAVOS & STRAPS (Hardware Optional/Custom Placement Available)

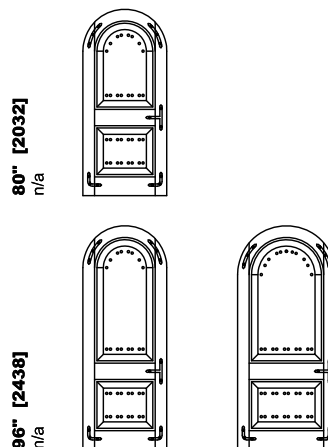
Door Size	36" [914]	42" [1067]
Daylight Opening	n/a	n/a



1.75" ROUND CLAVOS ○
OR
1.75" DIAMOND CLAVOS ◇
(Quantity & Placement Alike)

WITH 1" CLAVOS & STRAPS (Hardware Optional/Custom Placement Available)

Door Size	36" [914]	42" [1067]
Daylight Opening	n/a	n/a



1" ROUND CLAVOS ○ ○
OR
1" DIAMOND CLAVOS ◇ ◇
(Quantity & Placement Alike)

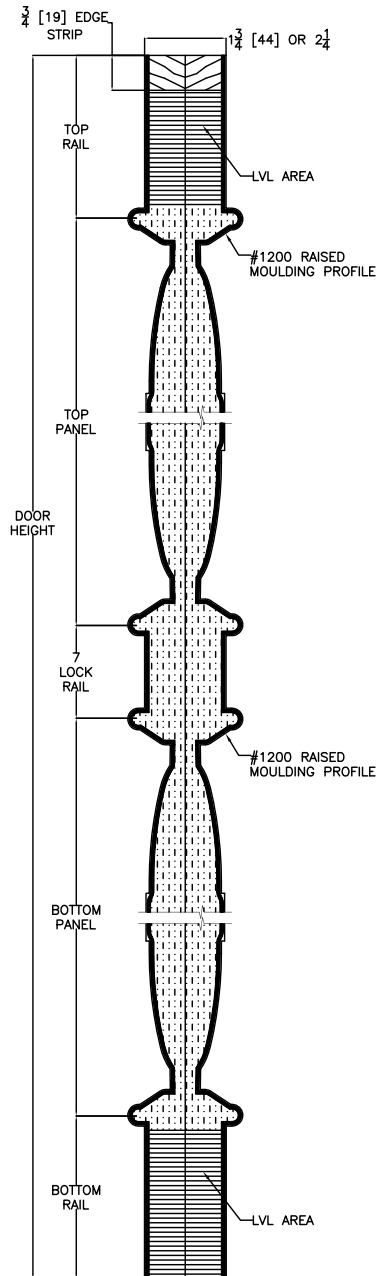
ELEVATION NOTES

Door Size = Book Size Before Prefit
 Daylight Opening (DLO) = Visible Glass
 Values in brackets [] are millimeter conversions.

20 Minute Fire Rating: This all-panel door is available as a certified 20 minute fire rated door, designed to meet or exceed local building codes for both residential and light commercial use. Certified sizes for the 20-minute fire rating range up to 3'0" x 8'0".

DOOR CROSS-SECTION

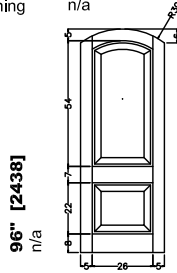
Moulding Profile = 1200
 Panel Profile = Convex Long (Estate)
 See A1202 Cross Section sheet for more detail.



VERTICAL CROSS SECTION

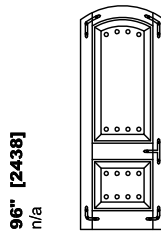
WITHOUT HARDWARE

Door Size 36" [914]
 Daylight Opening n/a



WITH 1.75" CLAVOS & STRAPS (Hardware Optional/Custom Placement Available)

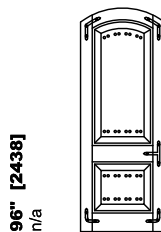
Door Size 36" [914]
 Daylight Opening n/a



1.75" ROUND CLAVOS ○
 OR
 1.75" DIAMOND CLAVOS ◆
 (Quantity & Placement Alike)

WITH 1" CLAVOS & STRAPS (Hardware Optional/Custom Placement Available)

Door Size 36" [914]
 Daylight Opening n/a



1" ROUND CLAVOS ○○
 OR
 1" DIAMOND CLAVOS ◆◆
 (Quantity & Placement Alike)

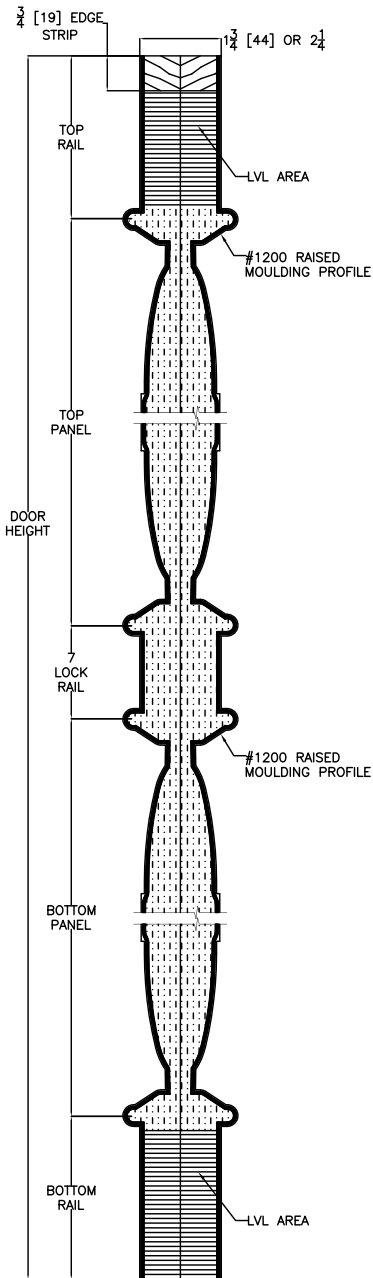
ELEVATION NOTES

Door Size = Book Size Before Profit
Daylight Opening (DLO) = Visible Glass
Values in brackets [] are millimeter conversions.

20 Minute Fire Rating: This all-panel door is available as a certified 20 minute fire rated door, designed to meet or exceed local building codes for both residential and light commercial use. Certified sizes for the 20-minute fire rating range up to 3'0" x 8'0".

DOOR CROSS-SECTION

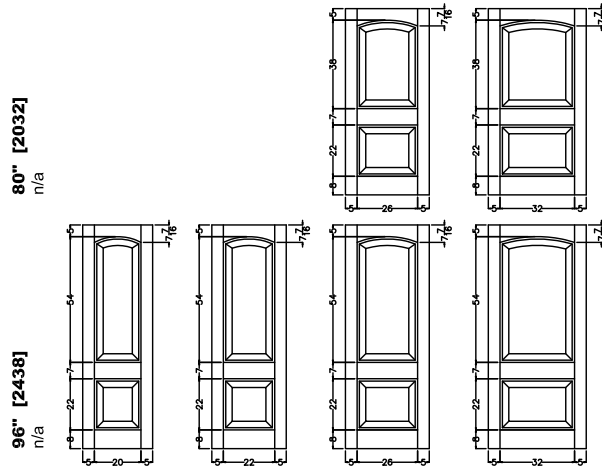
Moulding Profile = 1200
Panel Profile = Convex Long (Estate)
See A1222 Cross Section sheet for more detail.



VERTICAL CROSS SECTION

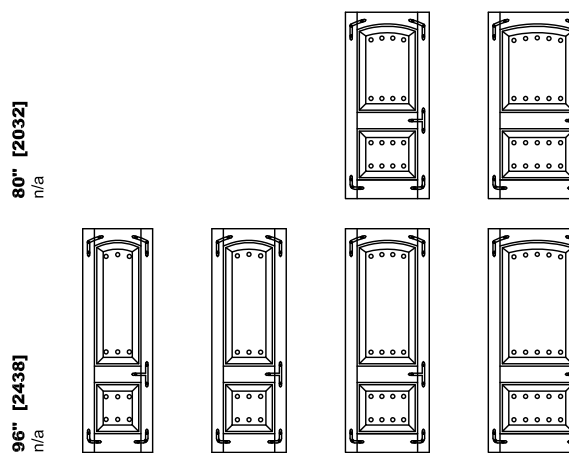
WITHOUT HARDWARE

Door Size	30" [762]	32" [813]	36" [914]	42" [1067]
Daylight Opening	n/a	n/a	n/a	n/a



WITH 1.75" CLAVOS & STRAPS (Hardware Optional/Custom Placement Available)

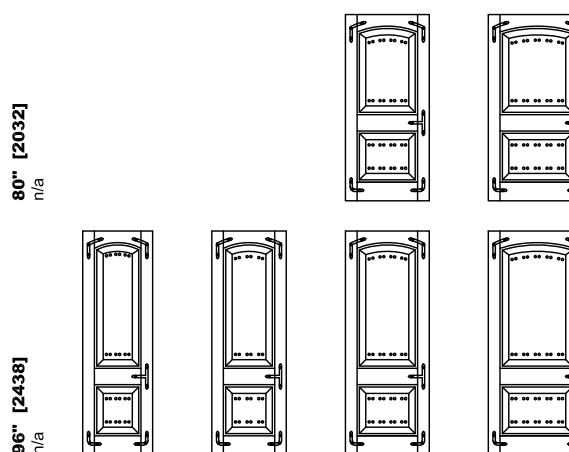
Door Size	30" [762]	32" [813]	36" [914]	42" [1067]
Daylight Opening	n/a	n/a	n/a	n/a



1.75" ROUND CLAVOS ○
OR
1.75" DIAMOND CLAVOS ◆
(Quantity & Placement Alike)

WITH 1" CLAVOS & STRAPS (Hardware Optional/Custom Placement Available)

Door Size	30" [762]	36" [914]	42" [1067]
Daylight Opening	n/a	n/a	n/a



1" ROUND CLAVOS ○○
OR
1" DIAMOND CLAVOS ◆◆
(Quantity & Placement Alike)

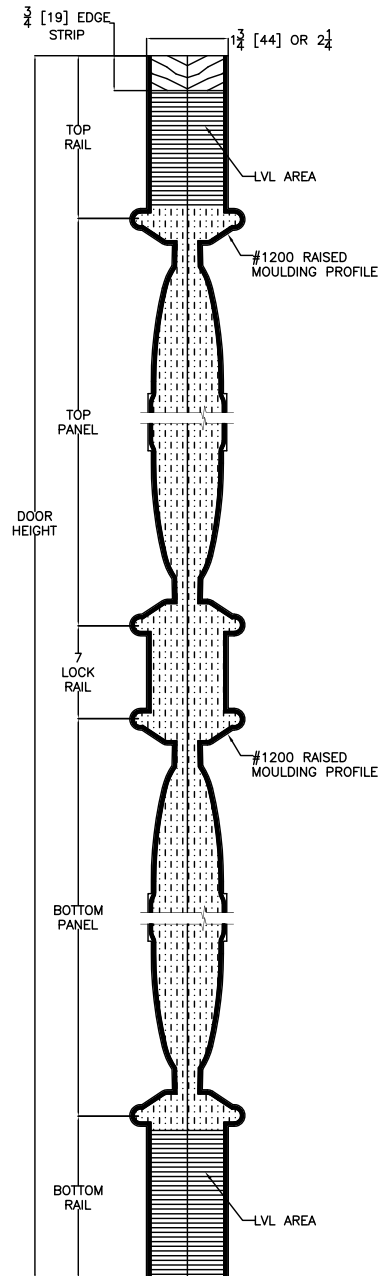
ELEVATION NOTES

Door Size = Book Size Before Prefit
 Daylight Opening (DLO) = Visible Glass
 Values in brackets [] are millimeter conversions.

20 Minute Fire Rating: This all-panel door is available as a certified 20 minute fire rated door, designed to meet or exceed local building codes for both residential and light commercial use. Certified sizes for the 20-minute fire rating range up to 3'0" x 8'0".

DOOR CROSS-SECTION

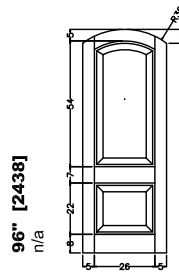
Moulding Profile = 1200
 Panel Profile = Convex Long (Estate)
 See A1222 Cross Section sheet for more detail.



VERTICAL CROSS SECTION

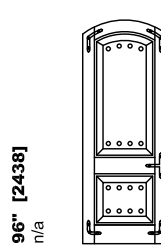
WITHOUT HARDWARE

Door Size **36" [914]**
 Daylight Opening n/a



WITH 1.75" CLAVOS & STRAPS (Hardware Optional/Custom Placement Available)

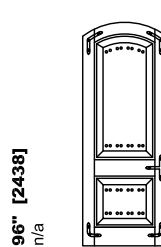
Door Size **36" [914]**
 Daylight Opening n/a



1.75" **ROUND** CLAVOS ○
 OR
 1.75" **DIAMOND** CLAVOS ◇
 (Quantity & Placement Alike)

WITH 1" CLAVOS & STRAPS (Hardware Optional/Custom Placement Available)

Door Size **36" [914]**
 Daylight Opening n/a



1" **ROUND** CLAVOS ○ ○
 OR
 1" **DIAMOND** CLAVOS ◇ ◇
 (Quantity & Placement Alike)

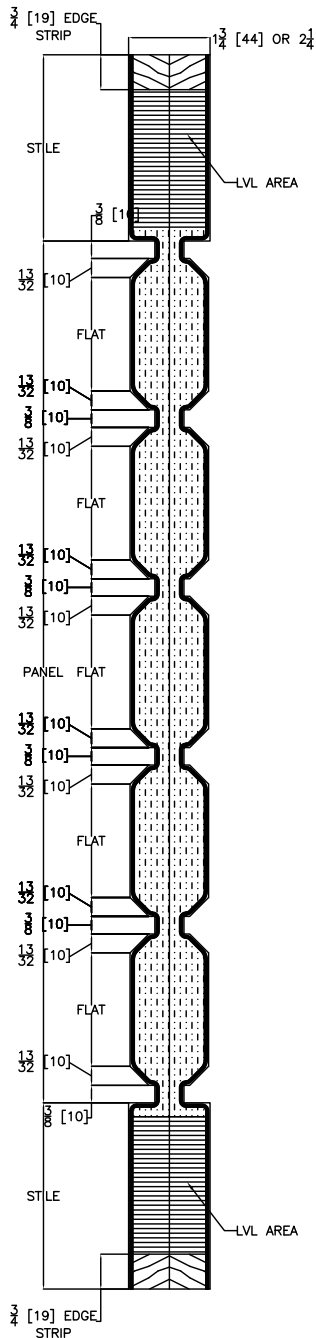
ELEVATION NOTES

Door Size = Book Size Before Prefit
 Daylight Opening (DLO) = Visible Glass
 Values in brackets [] are millimeter conversions.

20 Minute Fire Rating: This all-panel door is available as a certified 20 minute fire rated door, designed to meet or exceed local building codes for both residential and light commercial use. Certified sizes for the 20-minute fire rating range up to 3'0" x 8'0".

DOOR CROSS-SECTION

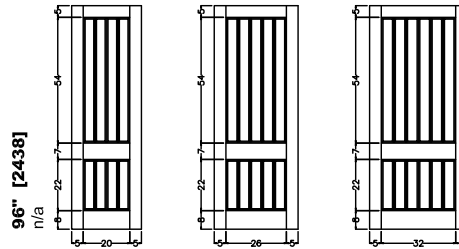
Moulding Profile = n/a
 Panel Profile = V-Groove (Estate Plank)
 See A1302 Cross Section sheet for more detail.



HORIZONTAL CROSS SECTION
 Rotated for Clarity
 Qty & Size of Planks Vary by Door Size

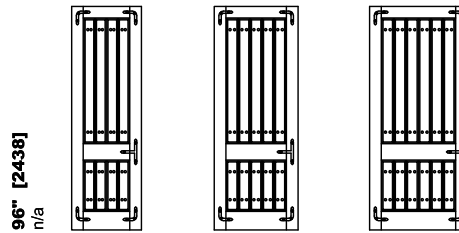
WITHOUT HARDWARE

Door Size	30" [762]	36" [914]	42" [1067]
Daylight Opening	n/a	n/a	n/a



WITH 1" CLAVOS & STRAPS (Hardware Optional/Custom Placement Available)

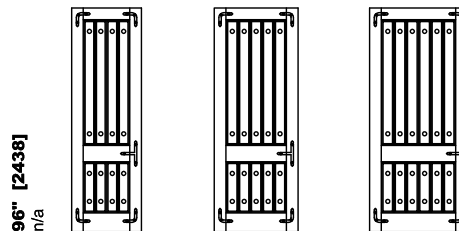
Door Size	30" [762]	36" [914]	42" [1067]
Daylight Opening	n/a	n/a	n/a



1" **ROUND CLAVOS** ○ ○
 OR
 1" **DIAMOND CLAVOS** ◆ ◆
 (Quantity & Placement Alike)

WITH 1.75" CLAVOS & STRAPS (Hardware Optional/Custom Placement Available)

Door Size	30" [762]	36" [914]	42" [1067]
Daylight Opening	n/a	n/a	n/a



1.75" **ROUND CLAVOS** ○ ○
 OR
 1.75" **DIAMOND CLAVOS** ◆ ◆
 (Quantity & Placement Alike)

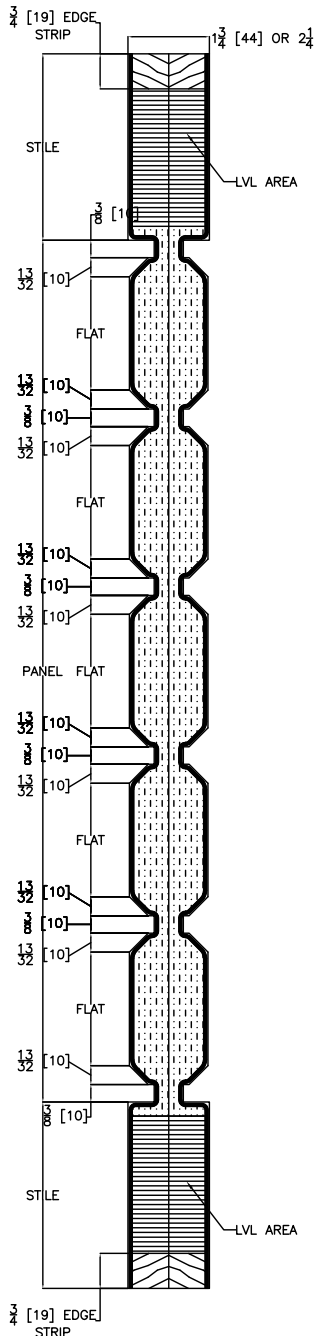
ELEVATION NOTES

Door Size = Book Size Before Prefit
Daylight Opening (DLO) = Visible Glass
Values in brackets [] are millimeter conversions.

20 Minute Fire Rating: This all-panel door is available as a certified 20 minute fire rated door, designed to meet or exceed local building codes for both residential and light commercial use. Certified sizes for the 20-minute fire rating range up to 3'0" x 8'0".

DOOR CROSS-SECTION

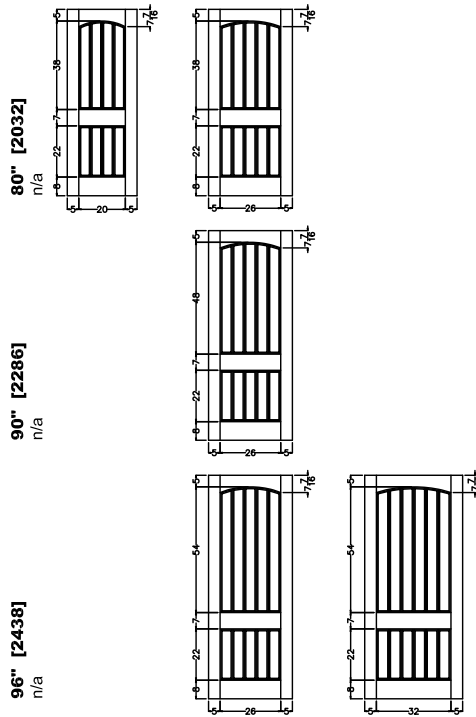
Moulding Profile = n/a
Panel Profile = V-Groove (Estate Plank)
See A1322 Cross Section sheet for more detail.



HORIZONTAL CROSS SECTION
Rotated for Clarity
Qty & Size of Planks Vary by Door Size

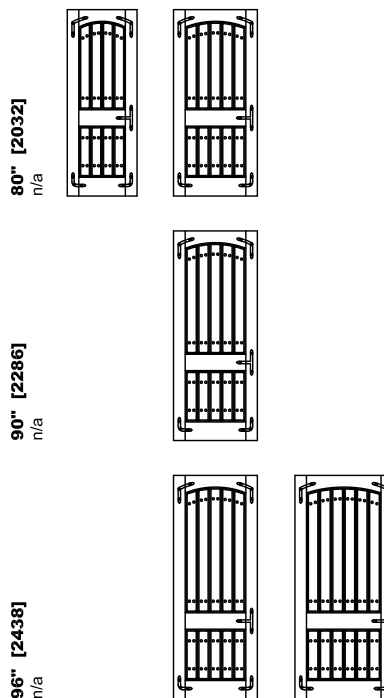
WITHOUT HARDWARE

Door Size	30" [762]	36" [914]	42" [1067]
Daylight Opening	n/a	n/a	n/a



WITH 1" CLAVOS & STRAPS (Hardware Optional/ Custom Placement Available)

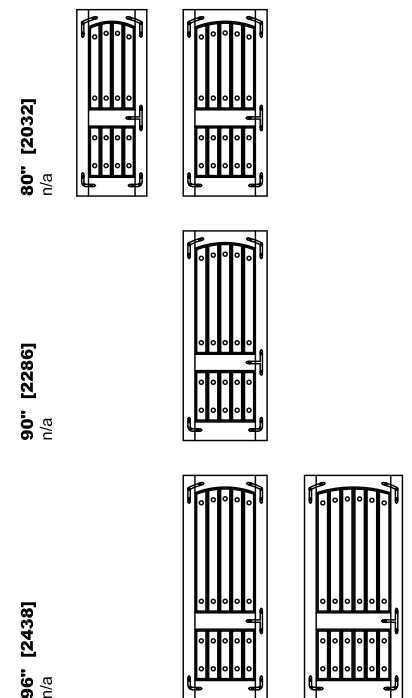
Door Size	30" [762]	36" [914]	42" [1067]
Daylight Opening	n/a	n/a	n/a



1" ROUND CLAVOS ○ ○
OR
1" DIAMOND CLAVOS ◇ ◇
(Quantity & Placement Alike)

WITH 1.75" CLAVOS & STRAPS (Hardware Optional/ Custom Placement Available)

Door Size	30" [762]	36" [914]	42" [1067]
Daylight Opening	n/a	n/a	n/a



1.75" ROUND CLAVOS ○
OR
1.75" DIAMOND CLAVOS ◇
(Quantity & Placement Alike)

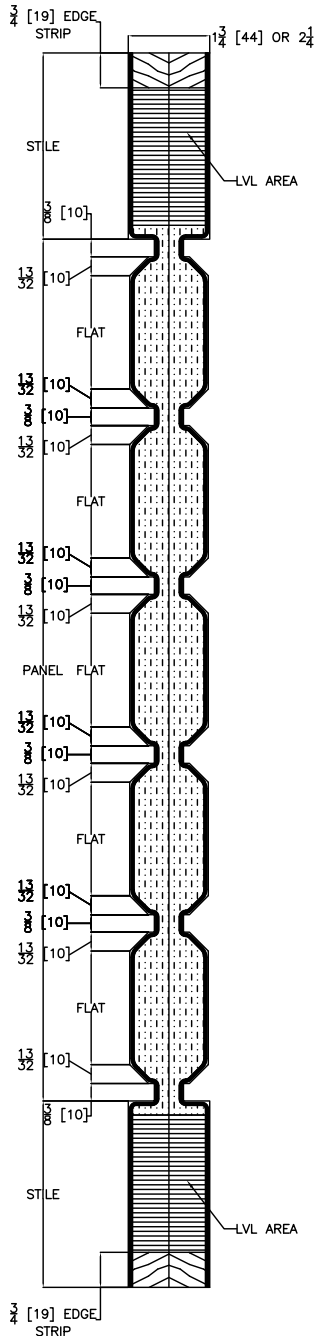
ELEVATION NOTES

Door Size = Book Size Before Prefit
 Daylight Opening (DLO) = Visible Glass
 Values in brackets [] are millimeter conversions.

20 Minute Fire Rating: This all-panel door is available as a certified 20 minute fire rated door, designed to meet or exceed local building codes for both residential and light commercial use. Certified sizes for the 20-minute fire rating range up to 3'0" x 8'0".

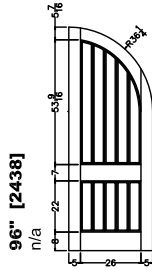
DOOR CROSS-SECTION

Moulding Profile = n/a
 Panel Profile = V-Groove (Estate Plank)
 See A1322 Cross Section sheet for more detail.



WITHOUT HARDWARE

Door Size 36" [914]
Daylight Opening n/a



WITH 1" CLAVOS & STRAPS (Hardware Optional/ Custom Placement Available)

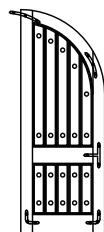
Door Size 36" [914]
Daylight Opening n/a



1" ROUND CLAVOS ○ ○
 OR
 1" DIAMOND CLAVOS ◆ ◆
 (Quantity & Placement Alike)

WITH 1.75" CLAVOS & STRAPS (Hardware Optional/ Custom Placement Available)

Door Size 36" [914]
Daylight Opening n/a



1.75" ROUND CLAVOS ○
 OR
 1.75" DIAMOND CLAVOS ◆
 (Quantity & Placement Alike)

HORIZONTAL CROSS SECTION
 Rotated for Clarity
 Qty & Size of Planks Vary by Door Size

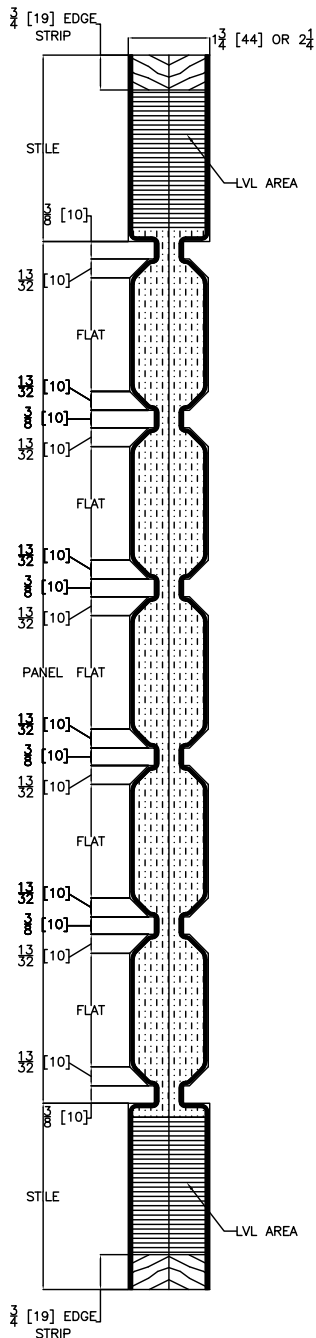
ELEVATION NOTES

Door Size = Book Size Before Prefit
 Daylight Opening (DLO) = Visible Glass
 Values in brackets [] are millimeter conversions.

20 Minute Fire Rating: This all-panel door is available as a certified 20 minute fire rated door, designed to meet or exceed local building codes for both residential and light commercial use. Certified sizes for the 20-minute fire rating range up to 3'0" x 8'0".

DOOR CROSS-SECTION

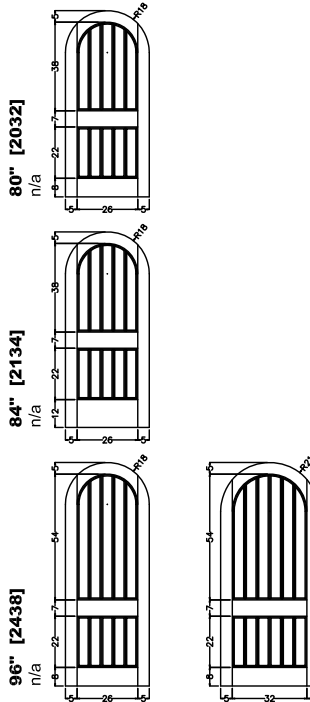
Moulding Profile = n/a
 Panel Profile = V-Groove (Estate Plank)
 See A1322 Cross Section sheet for more detail.



HORIZONTAL CROSS SECTION
 Rotated for Clarity
 Qty & Size of Planks Vary by Door Size

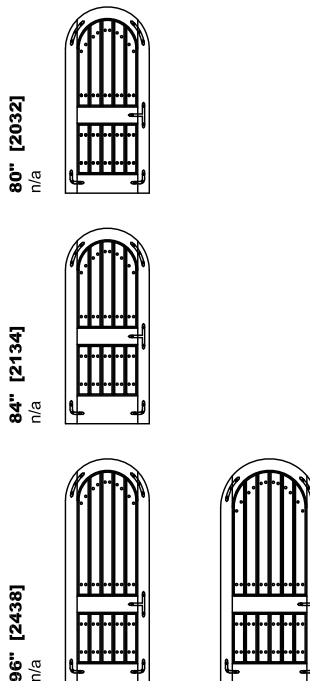
WITHOUT HARDWARE

Door Size	36" [914]	42" [1067]
Daylight Opening	n/a	n/a



WITH 1" CLAVOS & STRAPS (Hardware Optional/ Custom Placement Available)

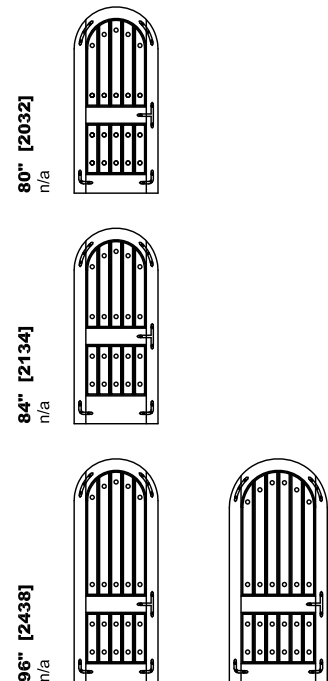
Door Size	36" [914]	42" [1067]
Daylight Opening	n/a	n/a



1" **ROUND** CLAVOS ○ ○
 OR
 1" **DIAMOND** CLAVOS ◆ ◆
 (Quantity & Placement Alike)

WITH 1.75" CLAVOS & STRAPS (Hardware Optional/ Custom Placement Available)

Door Size	36" [914]	42" [1067]
Daylight Opening	n/a	n/a



1.75" **ROUND** CLAVOS ○ ○
 OR
 1.75" **DIAMOND** CLAVOS ◆ ◆
 (Quantity & Placement Alike)

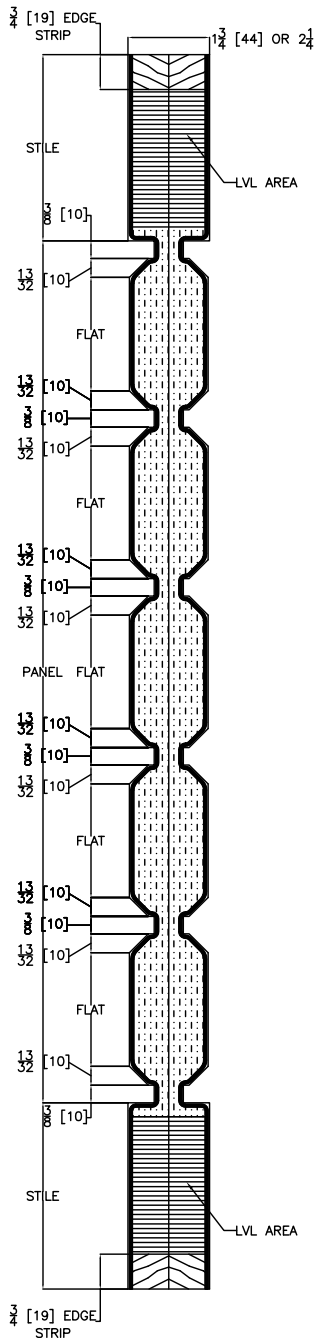
ELEVATION NOTES

Door Size = Book Size Before Prefit
Daylight Opening (DLO) = Visible Glass
Values in brackets [] are millimeter conversions.

20 Minute Fire Rating: This all-panel door is available as a certified 20 minute fire rated door, designed to meet or exceed local building codes for both residential and light commercial use. Certified sizes for the 20-minute fire rating range up to 3'0" x 8'0".

DOOR CROSS-SECTION

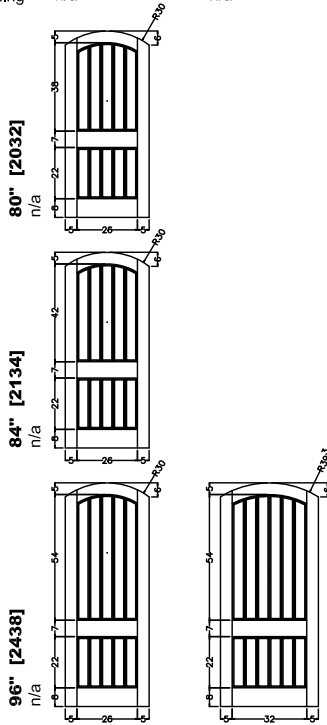
Moulding Profile = n/a
Panel Profile = V-Groove (Estate Plank)
See A1322 Cross Section sheet for more detail.



HORIZONTAL CROSS SECTION
Rotated for Clarity
Qty & Size of Planks Vary by Door Size

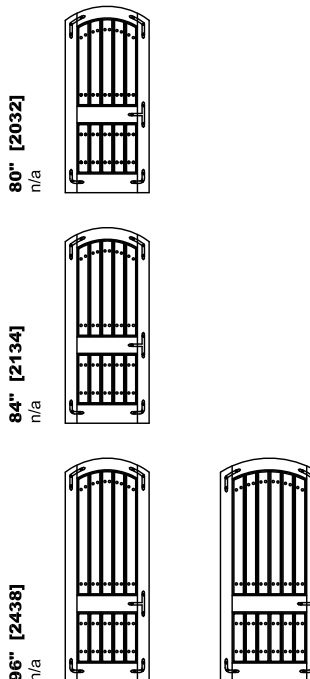
WITHOUT HARDWARE

Door Size	36" [914]	42" [1067]
Daylight Opening	n/a	n/a



WITH 1" CLAVOS & STRAPS (Hardware Optional/ Custom Placement Available)

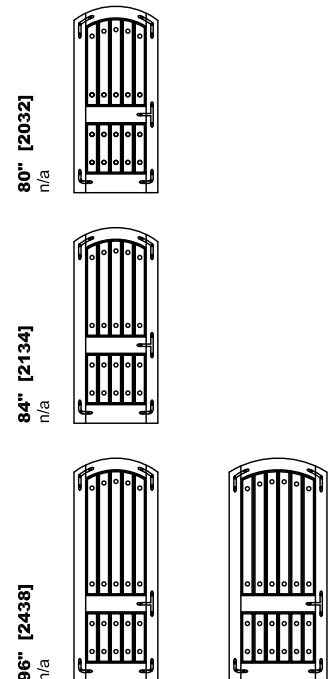
Door Size	36" [914]	42" [1067]
Daylight Opening	n/a	n/a



1" ROUND CLAVOS ○ ○
OR
1" DIAMOND CLAVOS ◆ ◆
(Quantity & Placement Alike)

WITH 1.75" CLAVOS & STRAPS (Hardware Optional/ Custom Placement Available)

Door Size	36" [914]	42" [1067]
Daylight Opening	n/a	n/a



1.75" ROUND CLAVOS ○
OR
1.75" DIAMOND CLAVOS ◆
(Quantity & Placement Alike)



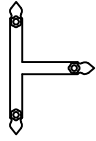
ROUND CLAVOS

Size Options: 1" diameter, 1.75" diameter
Finish Options: Dark Patina, Rust Patina
Material: Composite



DIAMOND CLAVOS

Size Options: 1", 1.75"
Finish Options: Dark Patina, Rust Patina
Material: Composite



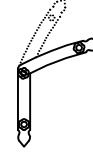
RAIL STRAP

Finish Options: Dark Patina, Rust Patina
Material: Composite



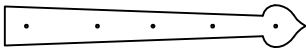
CORNER STRAP

Finish Options: Dark Patina, Rust Patina
Material: Composite



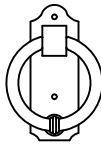
RADIUS STRAP

Finish Options: Dark Patina, Rust Patina
Material: Composite
Adjustable for Segment/Radius Shapes



EXTENDED STRAP

Size: 25" x 3 1/4"
Finish Options: Dark Patina, Rust Patina
Material: Composite



COLONIAL DOOR KNOCKER

Base: 2" Wide x 5 5/8" Tall, Handle: 4" Wide
Finish Options: Dark Patina, Rust Patina
Material: Composite

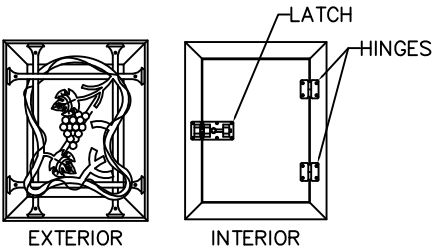


FLEUR de LIS DOOR KNOCKER

Base + Handle: 3 3/4" Wide x 4 7/8" Tall
Finish Options: Dark Patina, Rust Patina
Material: Composite

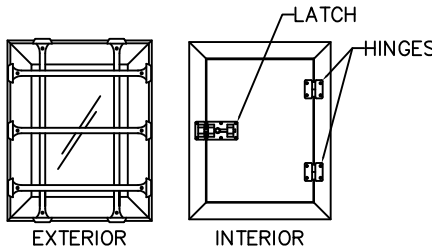
SPEAKEASY/DOOR LIGHT

Glass Options: Clear IG, Clear SG, Bevel IG, Bevel SG, Glue Chip IG,
Low E IG, Rain IG, Reed IG, Frosted IG, Open for Glass
Handing: Will be Handed to Match the Door unless Otherwise Specified
Frame Size: 12" x 15", Daylight Opening: 8" x 11", Actual Glass Size: 8 7/8" x 11 7/8"



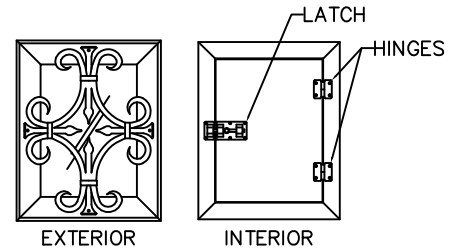
BORDEAUX SPEAKEASY

Hardware Finish Options: Dark Patina, Rust Patina
Material: Composite (Aluminum Hardware)



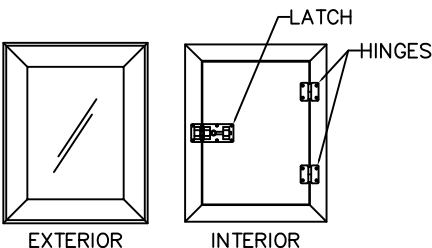
RUSTIC SPEAKEASY

Hardware Finish Options: Dark Patina, Rust Patina
Material: Composite (Aluminum Hardware)



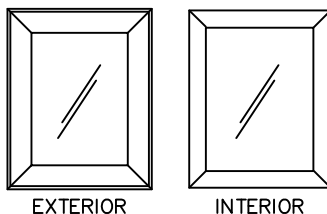
SEVILLE SPEAKEASY

Hardware Finish Options: Dark Patina, Rust Patina
Material: Composite (Aluminum Hardware)



SPEAKEASY (NO GRILLE)

Hardware Finish Options: Dark Patina, Rust Patina
Material: Composite (Aluminum Hardware)



RECTANGLE DOOR LIGHT

Hardware Finish Options: n/a
Material: Composite
Available with All Speakeasy Grilles

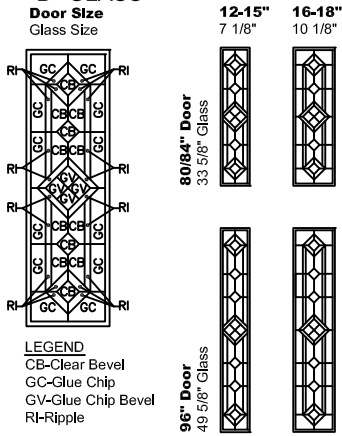
INSULATED GLASS

Clear Safety
Clear Beveled
Glue Chip
Low-E
Rain
Reed
Frosted

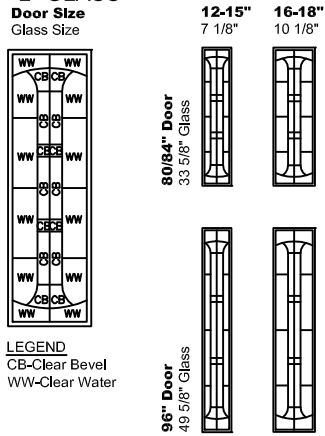
TRIPLE GLAZED

D - L - T

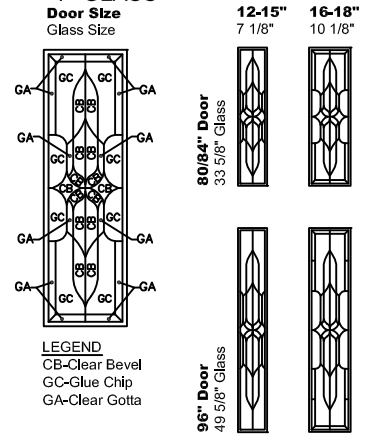
"D" GLASS



"L" GLASS



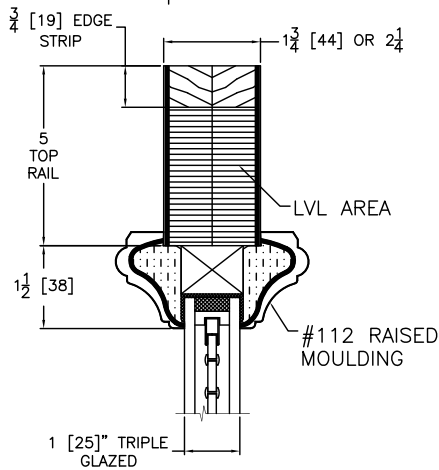
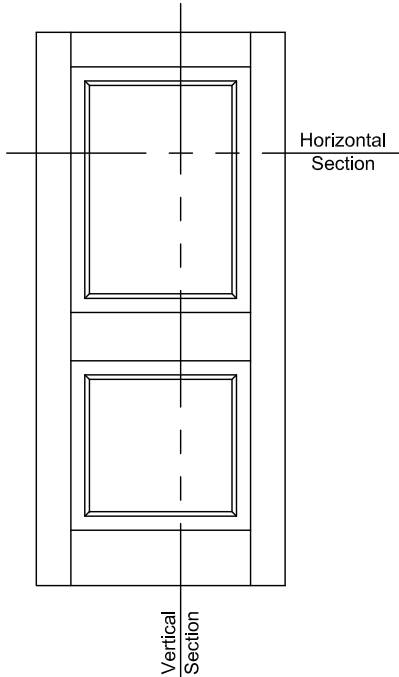
"T" GLASS



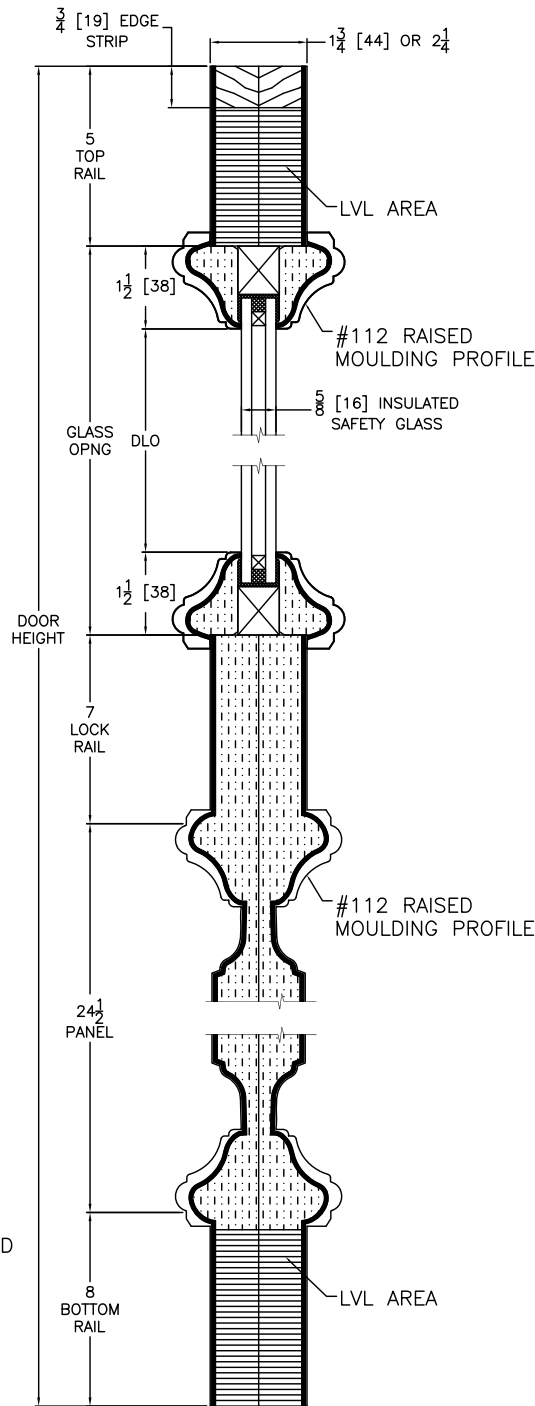
ELEVATION NOTES

Door Size = Book Size Before Prefit
 Daylight Opening (DLO) = Visible Glass
 Values in brackets [] are millimeter conversions.

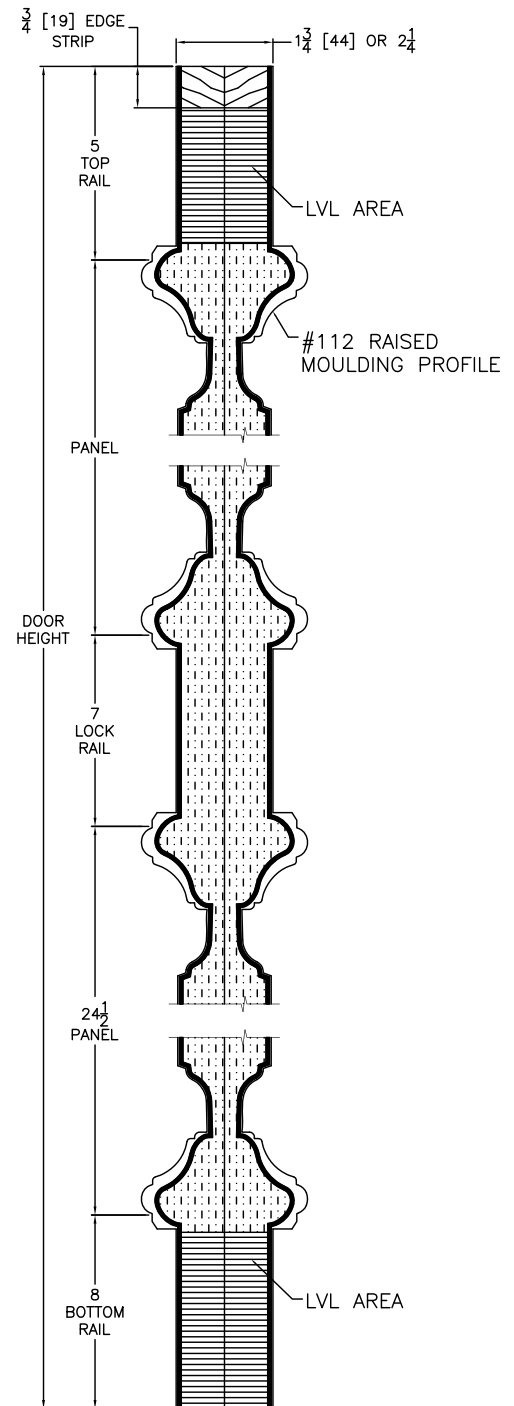
20 Minute Fire Rating: This all-panel door is available as a certified 20 minute fire rated door, designed to meet or exceed local building codes for both residential and light commercial use. Certified sizes for the 20-minute fire rating range up to 3'0" x 8'0".



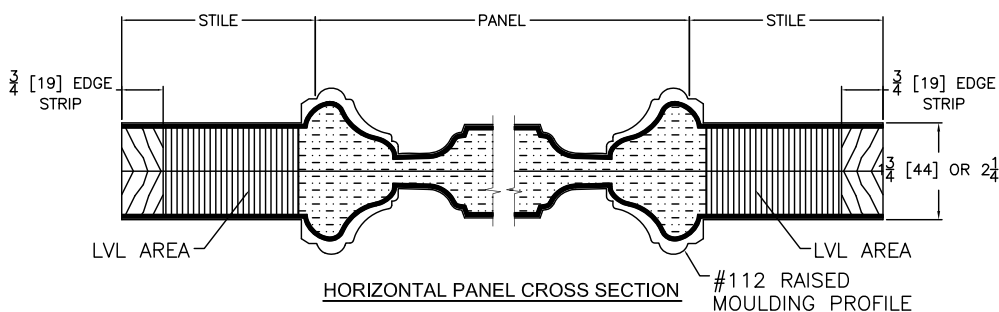
VERTICAL SIDELIGHT CROSS SECTION
Triple Glazed



VERTICAL SIDELIGHT CROSS SECTION
Insulated Glass



VERTICAL DOOR CROSS SECTION

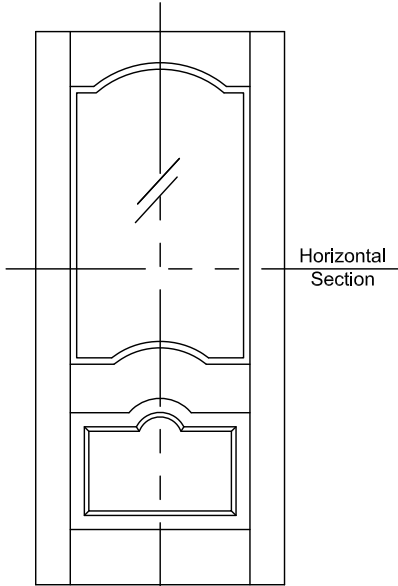


HORIZONTAL PANEL CROSS SECTION

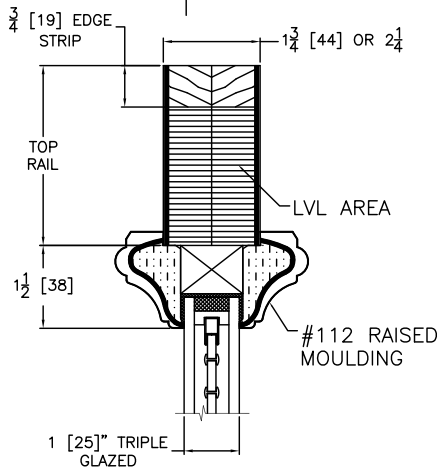
ELEVATION NOTES

Door Size = Book Size Before Prefit
 Daylight Opening (DLO) = Visible Glass
 Values in brackets [] are millimeter conversions.

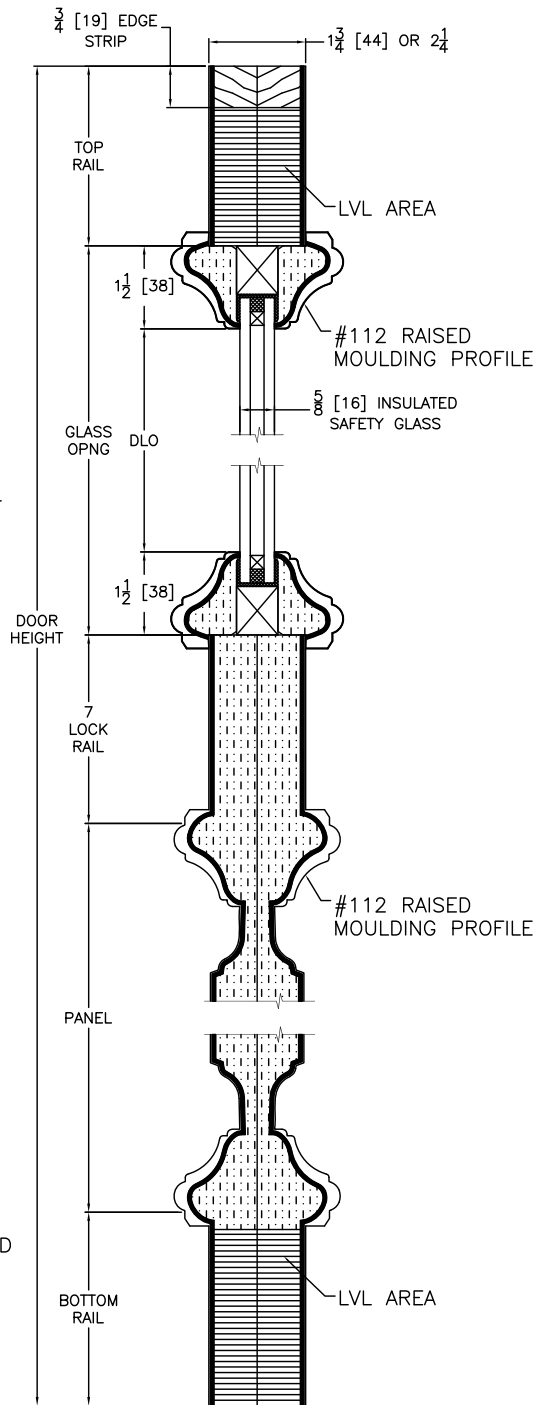
20 Minute Fire Rating: This all-panel door is available as a certified 20 minute fire rated door, designed to meet or exceed local building codes for both residential and light commercial use. Certified sizes for the 20-minute fire rating range up to 3'0" x 8'0".



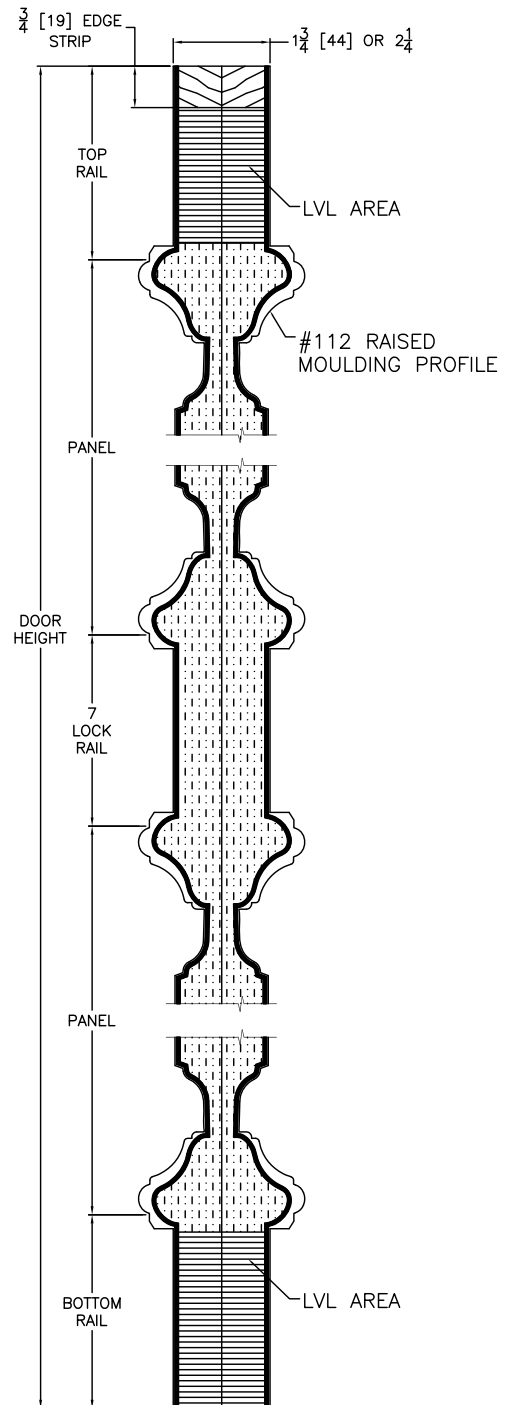
Vertical Section



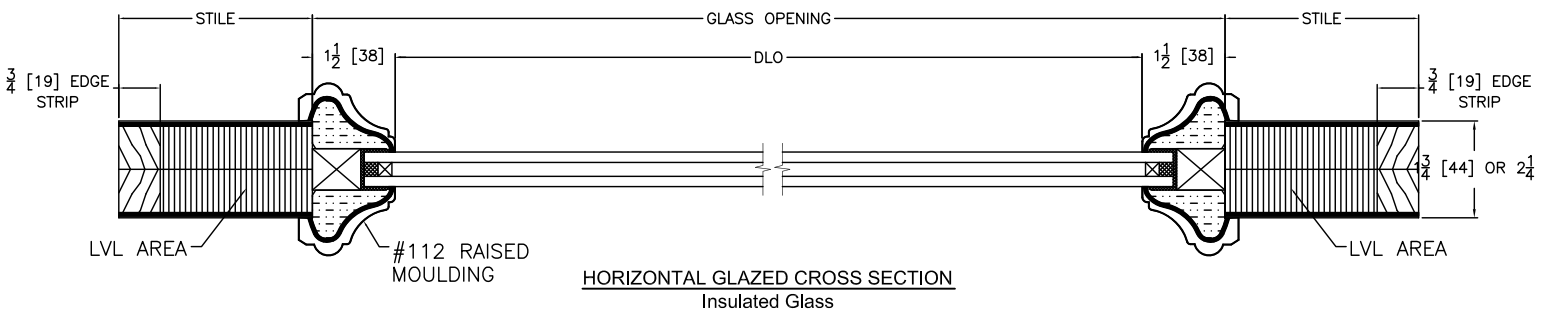
VERTICAL GLAZED CROSS SECTION
Triple Glazed



VERTICAL GLAZED CROSS SECTION
Insulated Glass



VERTICAL PANEL CROSS SECTION



HORIZONTAL GLAZED CROSS SECTION
Insulated Glass

JELD-WEN. WINDOWS & DOORS

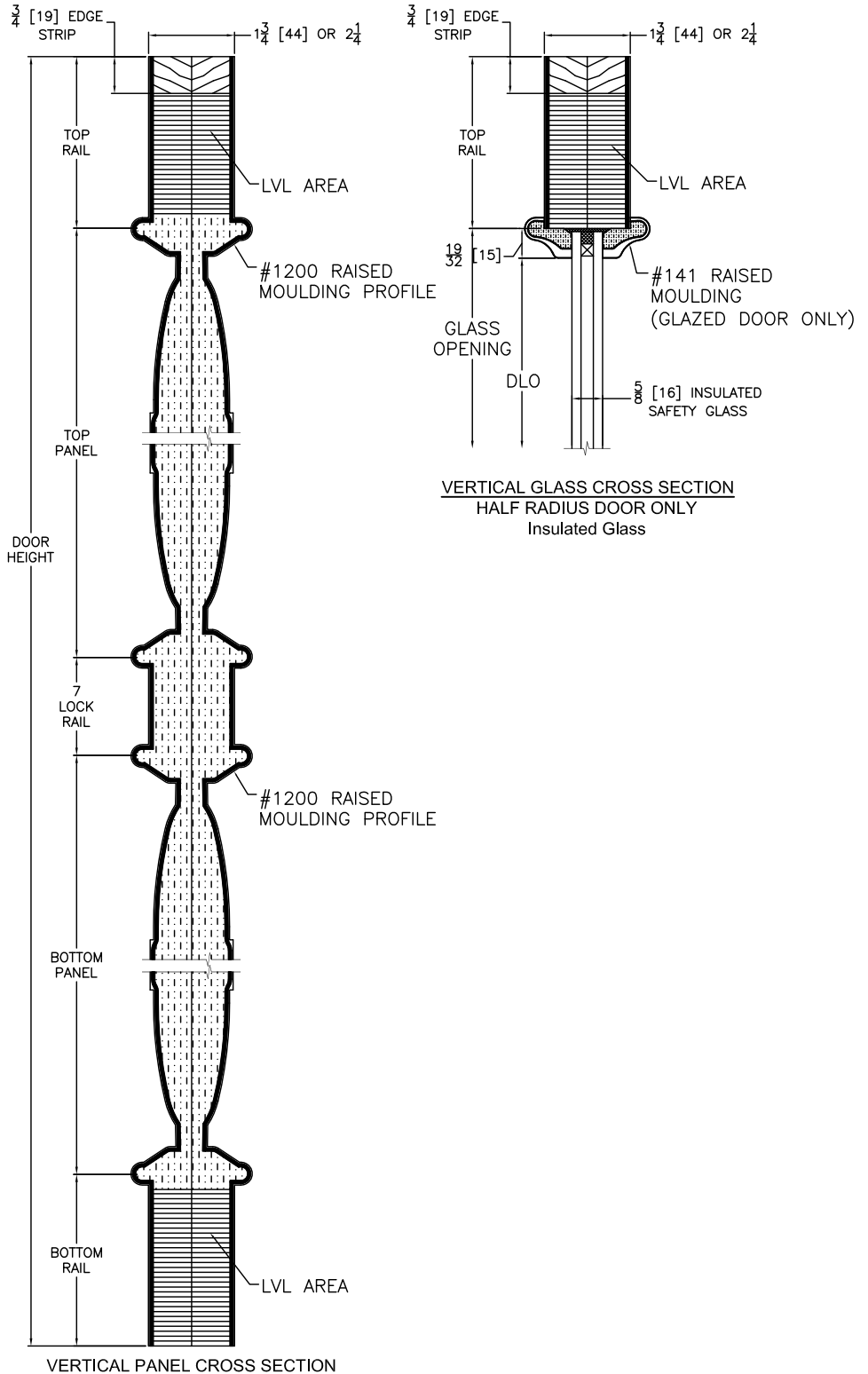
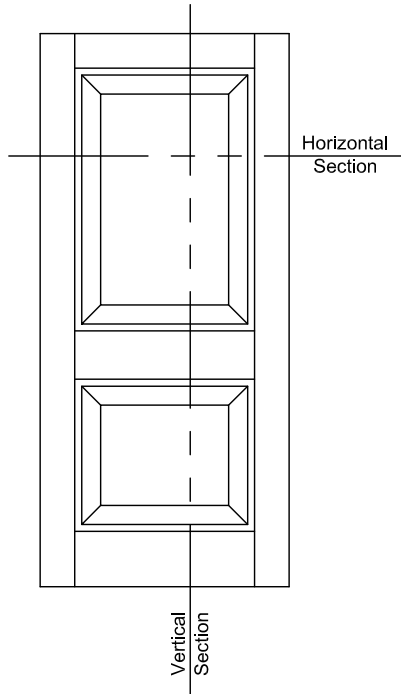
A1202 CROSS SECTIONS

Scale: 3" = 1'-0"

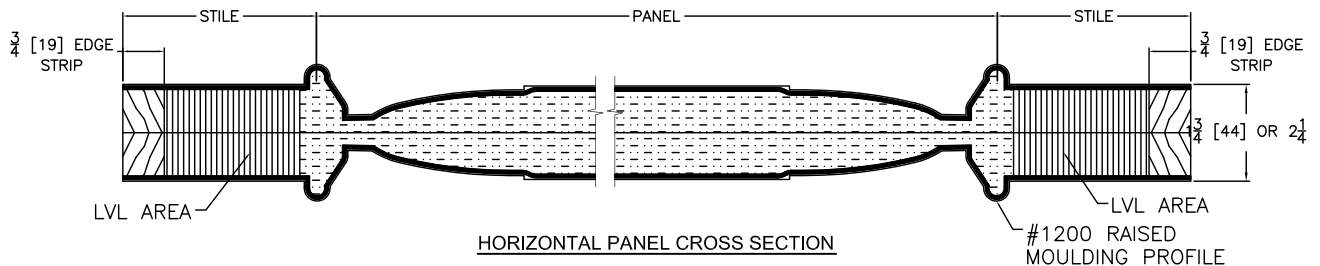
ELEVATION NOTES

Door Size = Book Size Before Prefit
Daylight Opening (DLO) = Visible Glass
Values in brackets [] are millimeter conversions.

20 Minute Fire Rating: This all-panel door is available as a certified 20 minute fire rated door, designed to meet or exceed local building codes for both residential and light commercial use. Certified sizes for the 20-minute fire rating range up to 3'0" x 8'0".



VERTICAL GLASS CROSS SECTION
HALF RADIUS DOOR ONLY
Insulated Glass



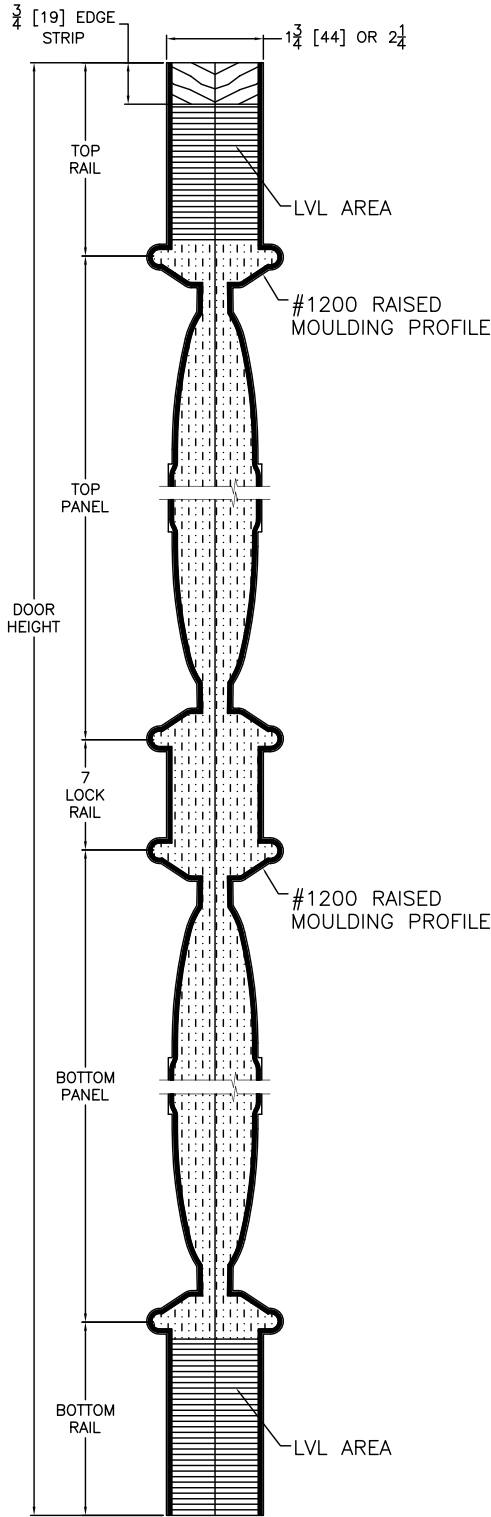
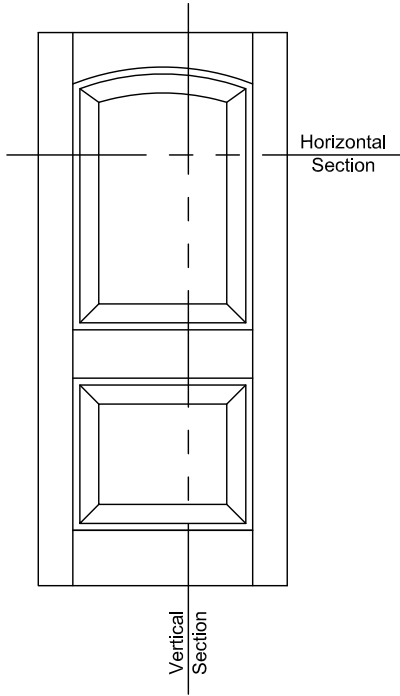
A1222 CROSS SECTIONS

Scale: 3" = 1'-0"

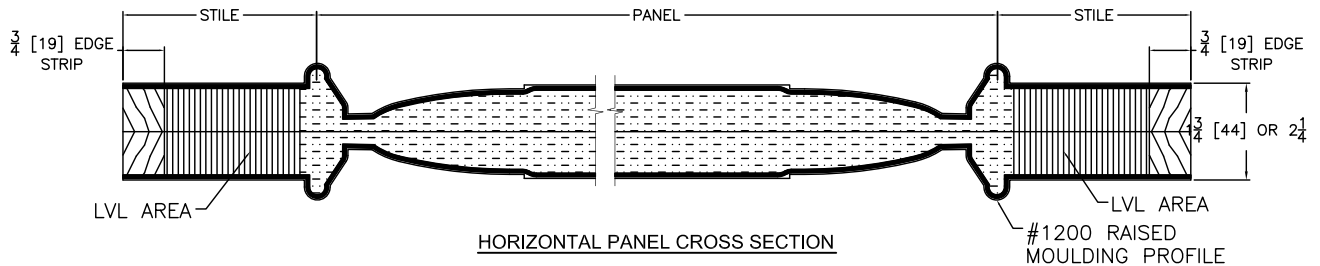
ELEVATION NOTES

Door Size = Book Size Before Prefit
Daylight Opening (DLO) = Visible Glass
Values in brackets [] are millimeter conversions.

20 Minute Fire Rating: This all-panel door is available as a certified 20 minute fire rated door, designed to meet or exceed local building codes for both residential and light commercial use. Certified sizes for the 20-minute fire rating range up to 3'0" x 8'0".



VERTICAL PANEL CROSS SECTION

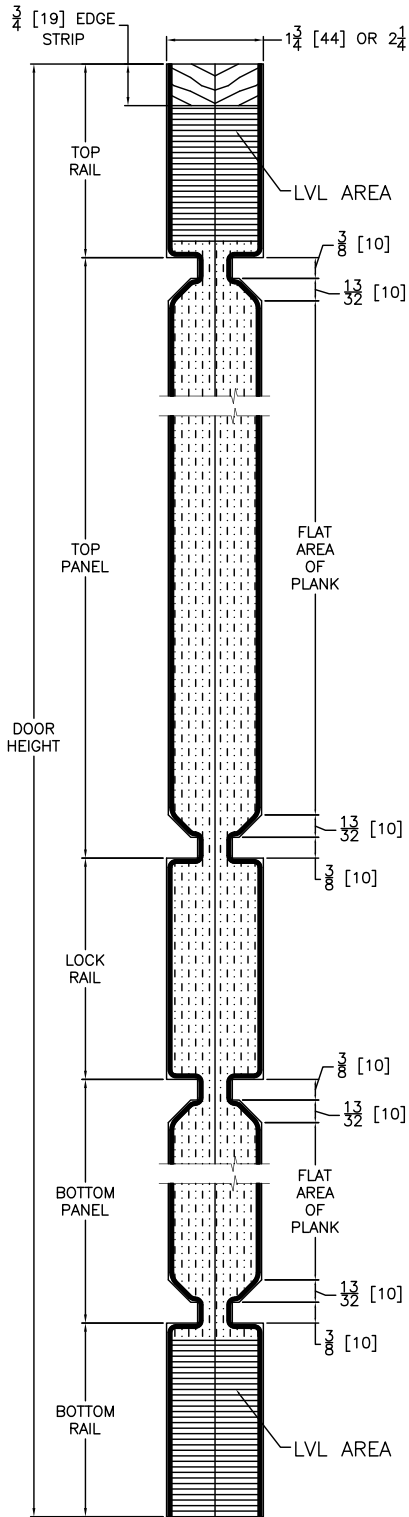
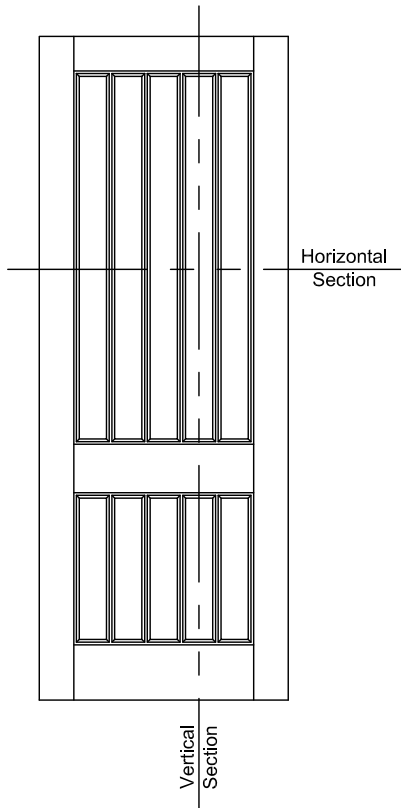


HORIZONTAL PANEL CROSS SECTION

ELEVATION NOTES

Door Size = Book Size Before Prefit
 Daylight Opening (DLO) = Visible Glass
 Values in brackets [] are millimeter conversions.

20 Minute Fire Rating: This all-panel door is available as a certified 20 minute fire rated door, designed to meet or exceed local building codes for both residential and light commercial use. Certified sizes for the 20-minute fire rating range up to 3'0" x 8'0".



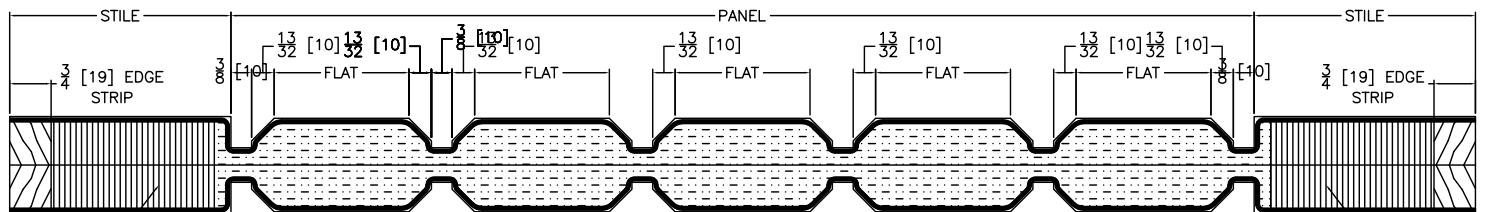
V-GROOVE/PLANK DETAILS

2-6 Door = 4 Planks, 3 $\frac{23}{32}$ " Flat Area Width

3-0 Door = 5 Planks, 3 $\frac{15}{16}$ " Flat Area Width

3-6 Door = 6 Planks, 4 $\frac{3}{32}$ " Flat Area Width

VERTICAL PANEL CROSS SECTION



HORIZONTAL PANEL CROSS SECTION
 Quantity & Size of Planks Vary by Door Size

