

**TABLE OF CONTENTS**

**3/4 VIEW**

Elevations: 1/8" Scale

A180	A5501
A200	A5506
A201	A5508
A250	A5509
A1260	A5512
A5035	

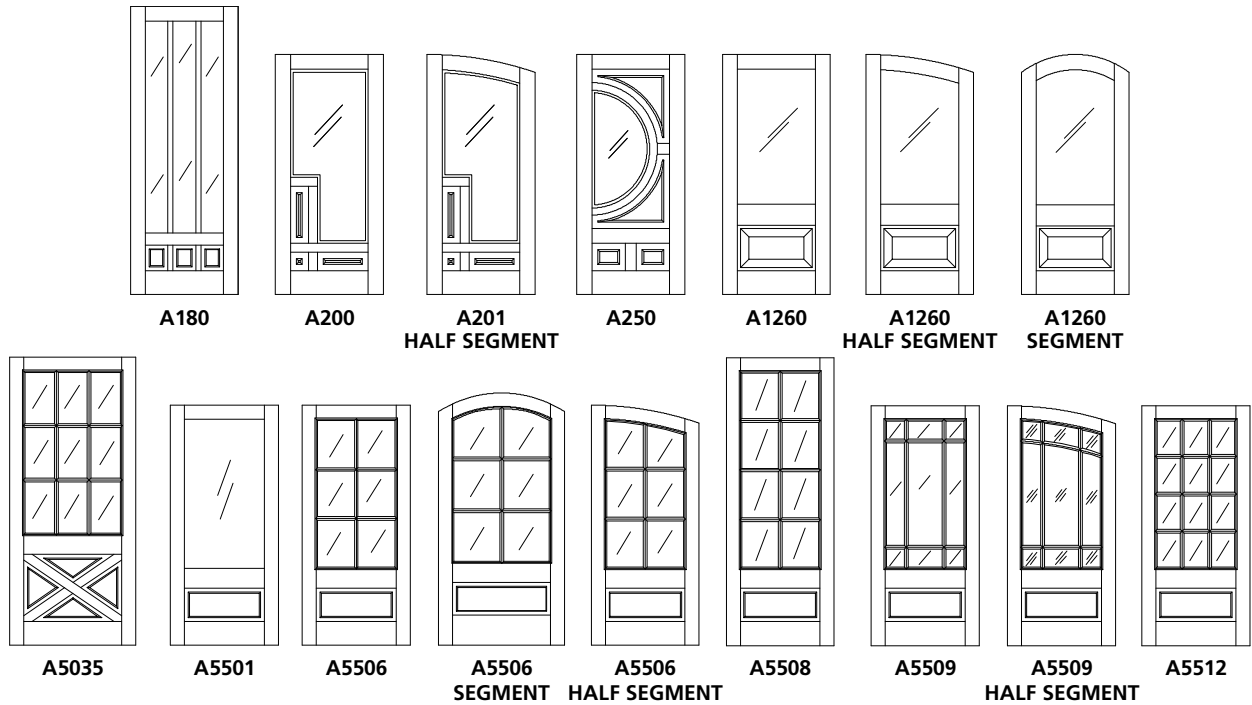
Decorative Hardware

Glass Design Options

Decorative Grilles

Section Details

A180	A5501
A200	A5506
A201	A5508
A250	A5509
A1260	A5512
A5035	



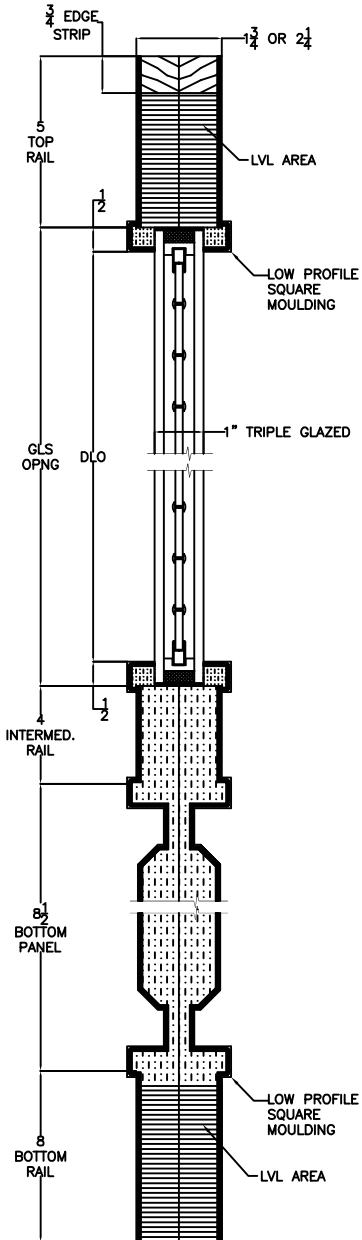
### ELEVATION NOTES

Door Size = Book Size Before Prefit  
Daylight Opening (DLO) = Visible Glass

Values in brackets [ ] are millimeter conversions.  
See A180 Glass Detail Sheet for glass options.

### DOOR CROSS-SECTION

Moulding Profile = Low Profile Square  
Panel Profile = 45 Degree  
See A180 Cross Section sheet for more detail.

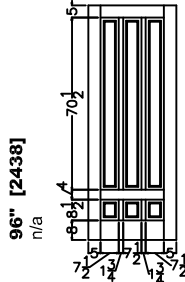


VERTICAL GLASS CROSS SECTION

### ALL PANEL

Door Size  
Daylight Opening

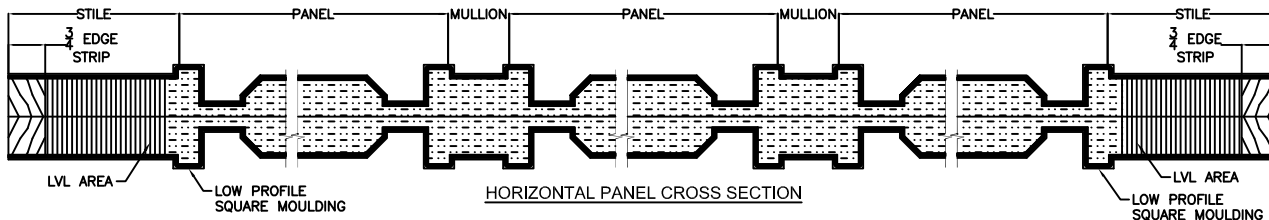
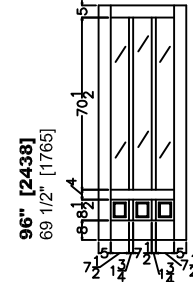
36" [914]  
n/a



### GLAZED

Door Size  
Daylight Opening

36" [914]  
6 1/2" [165]



HORIZONTAL PANEL CROSS SECTION

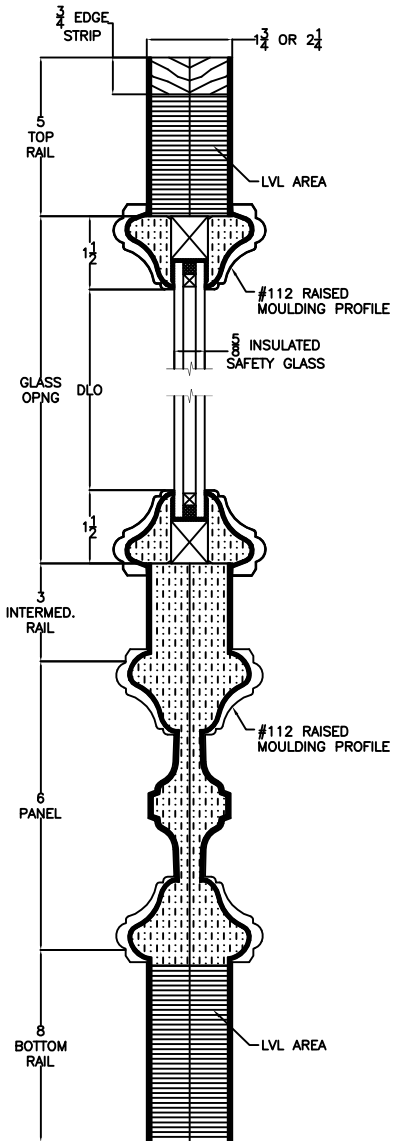
### ELEVATION NOTES

Door Size = Book Size Before Prefit  
Daylight Opening (DLO) = Visible Glass

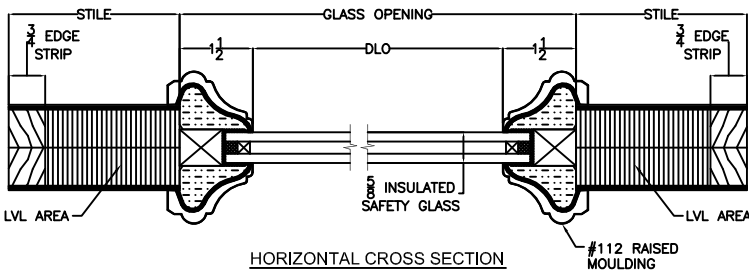
Values in brackets [ ] are millimeter conversions.  
See A200 Glass Detail Sheet for glass options.

### DOOR CROSS-SECTION

Moulding Profile = 112  
Panel Profile = Double Hip  
See A200 Cross Section sheet for more detail.



VERTICAL CROSS SECTION

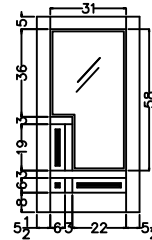
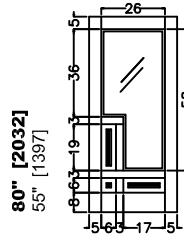


HORIZONTAL CROSS SECTION

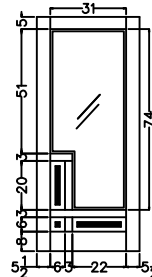
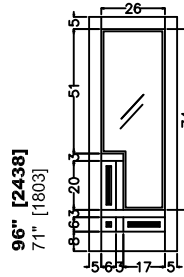
**Door Size**  
Daylight Opening

**36" [914]**  
23" [584]

**42" [1067]**  
28" [711]



**80" [2032]**  
55" [1397]



**96" [2438]**  
71" [1803]

**Sidelight Size**  
Daylight Opening

**12" [305]**  
5 1/2" [140]

**13" [330]**  
5 1/2" [140]

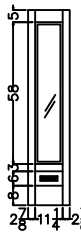
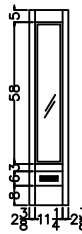
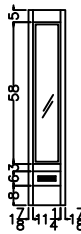
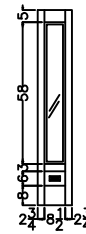
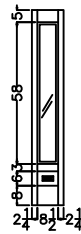
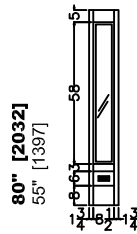
**14" [356]**  
5 1/2" [140]

**15" [381]**  
8 1/4" [210]

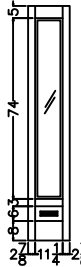
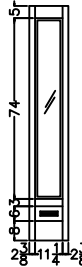
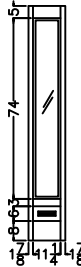
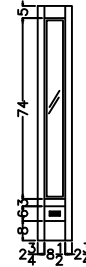
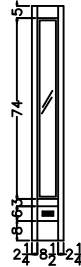
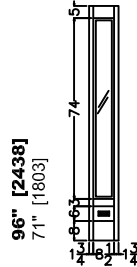
**16" [406]**  
8 1/4" [210]

**17" [432]**  
8 1/4" [210]

**18" [457]**  
8 1/4" [210]



**80" [2032]**  
55" [1397]



**96" [2438]**  
71" [1803]

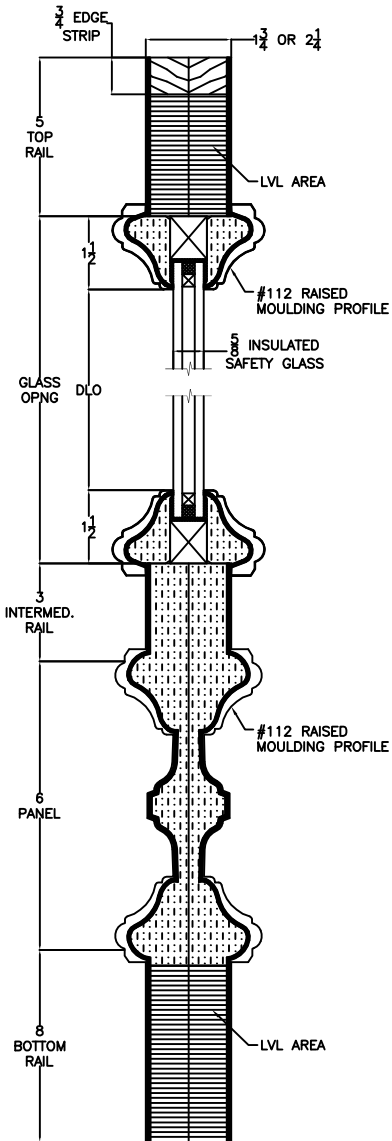
### ELEVATION NOTES

Door Size = Book Size Before Prefit  
Daylight Opening (DLO) = Visible Glass

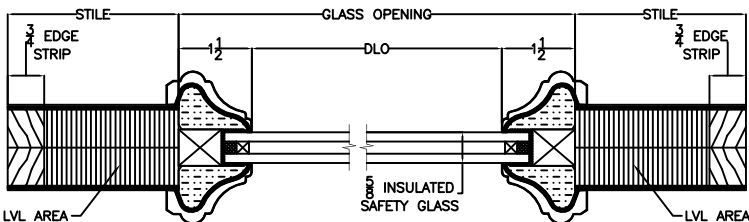
Values in brackets [ ] are millimeter conversions.  
See A201 Glass Detail Sheet for glass options.

### DOOR CROSS-SECTION

Moulding Profile = 112  
Panel Profile = Double Hip  
See A201 Cross Section sheet for more detail.



VERTICAL CROSS SECTION



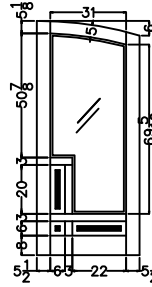
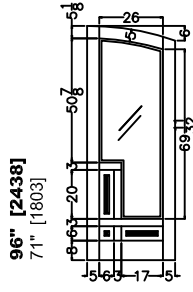
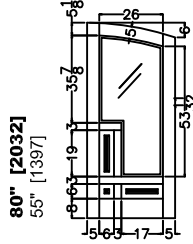
HORIZONTAL CROSS SECTION

**Door Size**  
Daylight Opening

**36" [914]**

**42" [1067]**

23" [584]  
28" [711]



\*\*\*SIDELIGHTS ARE 6" SHORTER THAN DOORS\*\*\*

**Sidelight Size**  
Daylight Opening

**12" [305]**

**13" [330]**

**14" [356]**

**15" [381]**

**16" [406]**

**17" [432]**

**18" [457]**

5 1/2" [140]

5 1/2" [140]

5 1/2" [140]

8 1/4" [210]

8 1/4" [210]

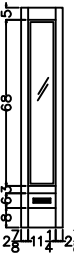
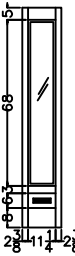
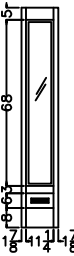
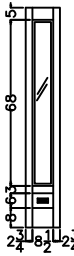
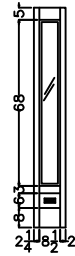
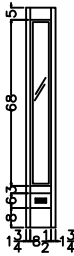
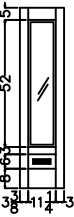
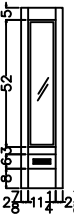
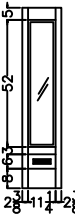
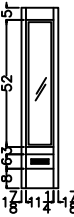
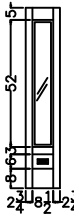
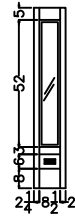
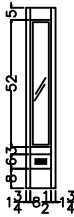
8 1/4" [210]

8 1/4" [210]

8 1/4" [210]

**74" [1880]**  
49" [1245]

**90" [2286]**  
65" [1651]



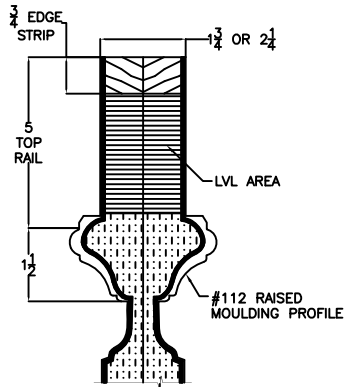
### ELEVATION NOTES

Door Size = Book Size Before Prefit  
Daylight Opening (DLO) = Visible Glass

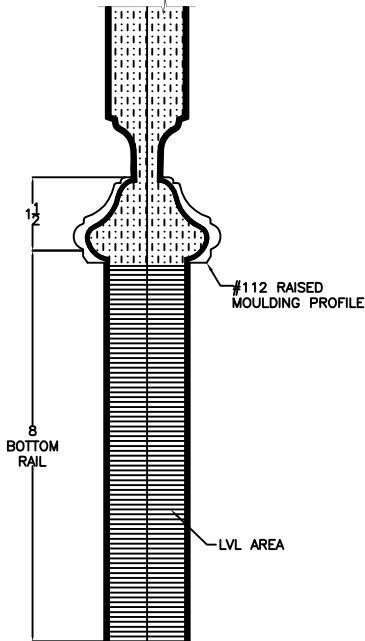
Values in brackets [ ] are millimeter conversions.  
See A250 Glass Detail Sheet for glass options.

### DOOR CROSS-SECTION

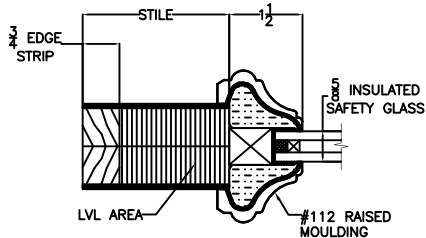
Moulding Profile = 112  
Panel Profile = Double Hip  
See A250 Cross Section sheet for more detail.



VERTICAL CROSS SECTION



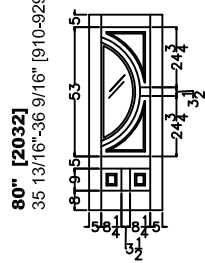
VERTICAL CROSS SECTION



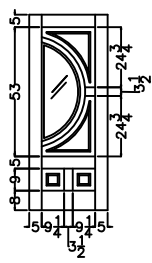
HORIZONTAL CROSS SECTION

**Door Size**  
Daylight Opening

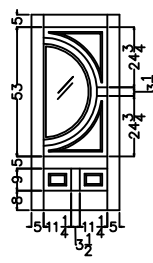
**30" [762]**  
10 7/8" [276]



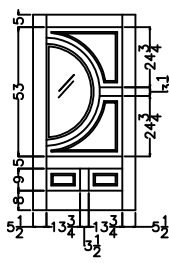
**32" [813]**  
12 7/8" [327]



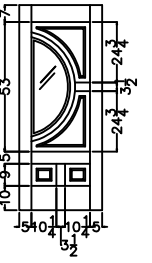
**36" [914]**  
16 3/8" [416]



**42" [1067]**  
16 3/8" [416]



**34" [864]**  
12 7/8" [327]

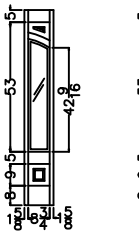


**80" [2032]**  
35 13/16"-36 9/16" [910-929]

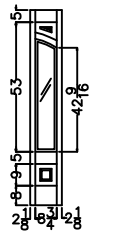
**96" [2438]**  
44 7/8"-47 3/4" [1140-1213]

**Sidelight Size**  
Daylight Opening

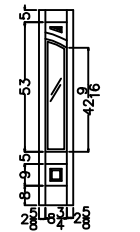
**12" [305]**  
5 3/4" [146]



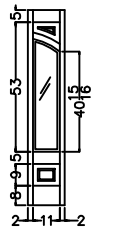
**13" [330]**  
5 3/4" [146]



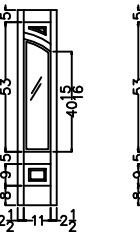
**14" [356]**  
5 3/4" [146]



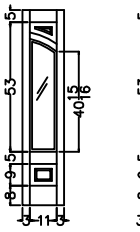
**15" [381]**  
8" [203]



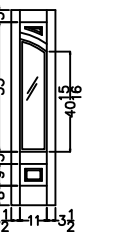
**16" [406]**  
8" [203]



**17" [432]**  
8" [203]

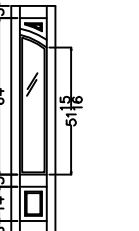
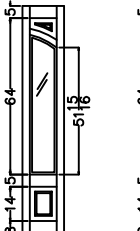
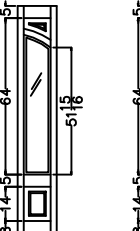
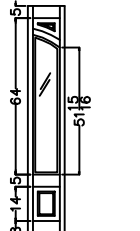
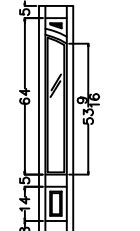
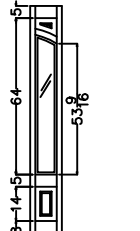
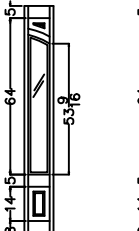


**18" [457]**  
8" [203]

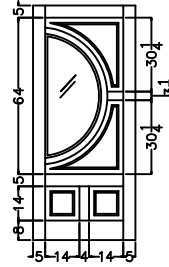


**80" [2032]**  
43 3/16" [1097]

**96" [2438]**  
54 3/16" [1376]



**42" [1067]**  
20" [508]



**84" [2134]**  
36 9/16" [929]



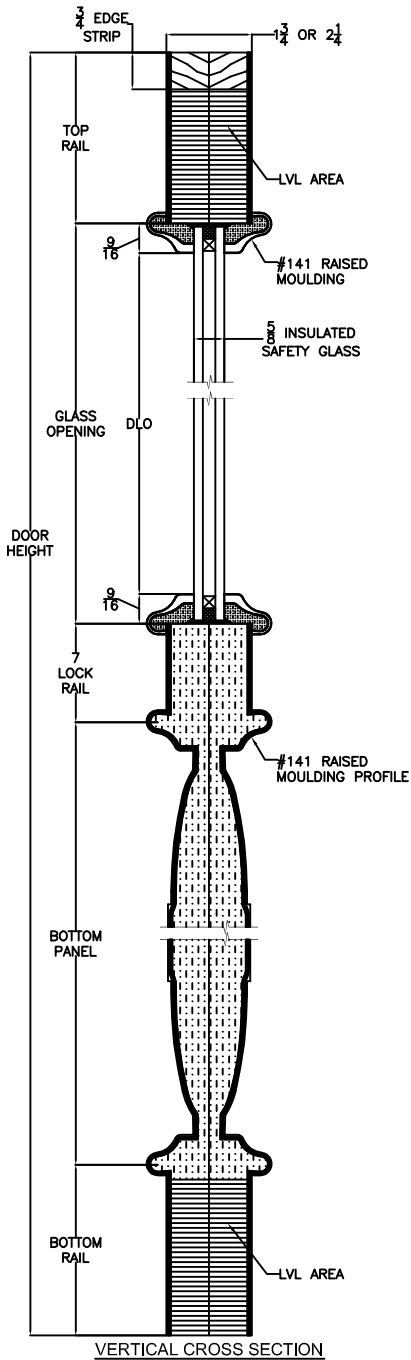
### ELEVATION NOTES

Door Size = Book Size Before Prefit  
Daylight Opening (DLO) = Visible Glass

Values in brackets [ ] are millimeter conversions.  
See Grille Detail Sheet for decorative grille options.

### DOOR CROSS-SECTION

Moulding Profile = 141  
Panel Profile = Convex Long (Estate)  
\*1-0 thru 1-3 Sidelight Convex Short  
See A1260 Cross Section sheet for more detail.



### WITHOUT HARDWARE

Door Size	30" [762]	36" [914]	42" [1067]
Daylight Opening	18 7/8" [479]	24 7/8" [632]	30 7/8" [784]
80" [2032]	43 7/8" [1114]		
96" [2438]	55 7/8" [1419]		

### SPECIAL SIZE

Door Size	42" [1067]
Daylight Opening	30 7/8" [784]
90" [2286]	49 7/8" [1267]

### WITH STRAPS (Hardware Optional/Custom Placement Available)

Door Size	30" [762]	36" [914]	42" [1067]
Daylight Opening	18 7/8" [479]	24 7/8" [632]	30 7/8" [784]
80" [2032]	43 7/8" [1114]		
96" [2438]	55 7/8" [1419]		

### SIDELIGHT

Sidelight Size	12" [305]	13" [330]	14" [356]	15" [381]	16" [406]	17" [432]	18" [457]
Daylight Opening	5 7/8" [149]	5 7/8" [149]	5 7/8" [149]	5 7/8" [149]	9 7/8" [251]	9 7/8" [251]	9 7/8" [251]
80" [2032]	43 7/8" [1114]						
96" [2438]	55 7/8" [1419]						

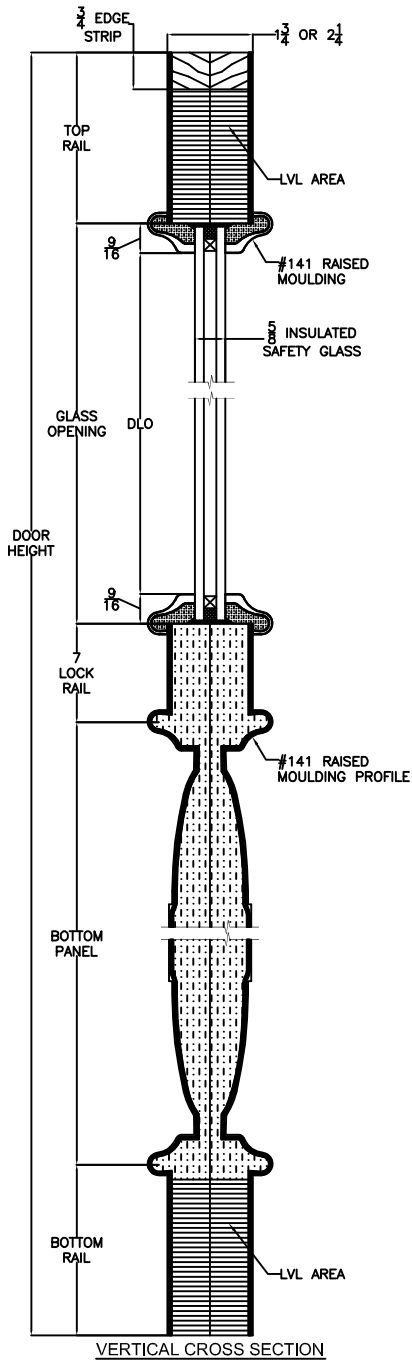
### ELEVATION NOTES

Door Size = Book Size Before Prefit  
Daylight Opening (DLO) = Visible Glass

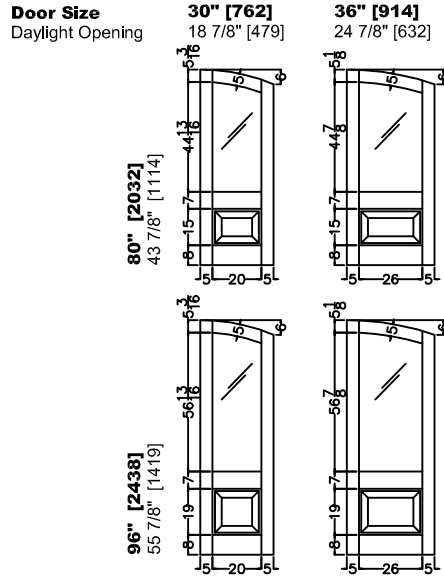
Values in brackets [ ] are millimeter conversions.  
See Grille Detail Sheet for decorative grille options.

### DOOR CROSS-SECTION

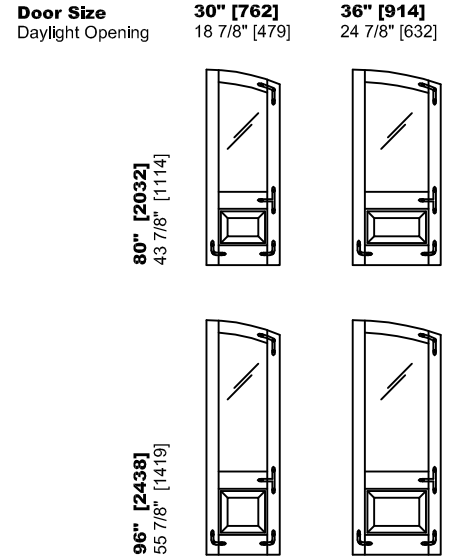
Moulding Profile = 141  
Panel Profile = Convex Long (Estate)  
\*1-0 thru 1-3 Sidelight Convex Short  
See A1260 Cross Section sheet for more detail.



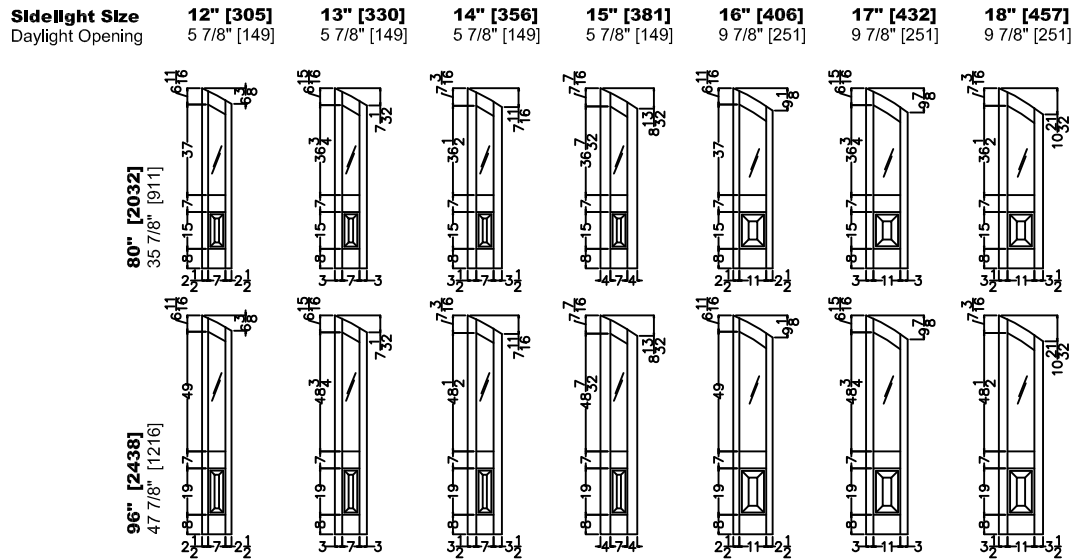
### WITHOUT HARDWARE



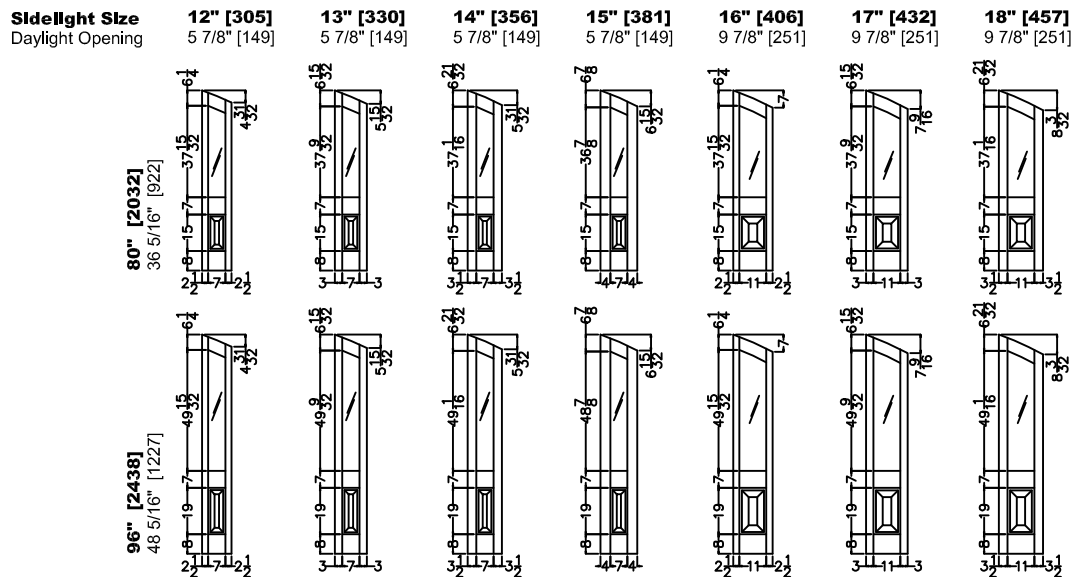
### WITH STRAPS (Hardware Optional/ Custom Placement Available)



### SIDELIGHT TO MATCH 2-6 DOOR



### SIDELIGHT TO MATCH 3-0 DOOR



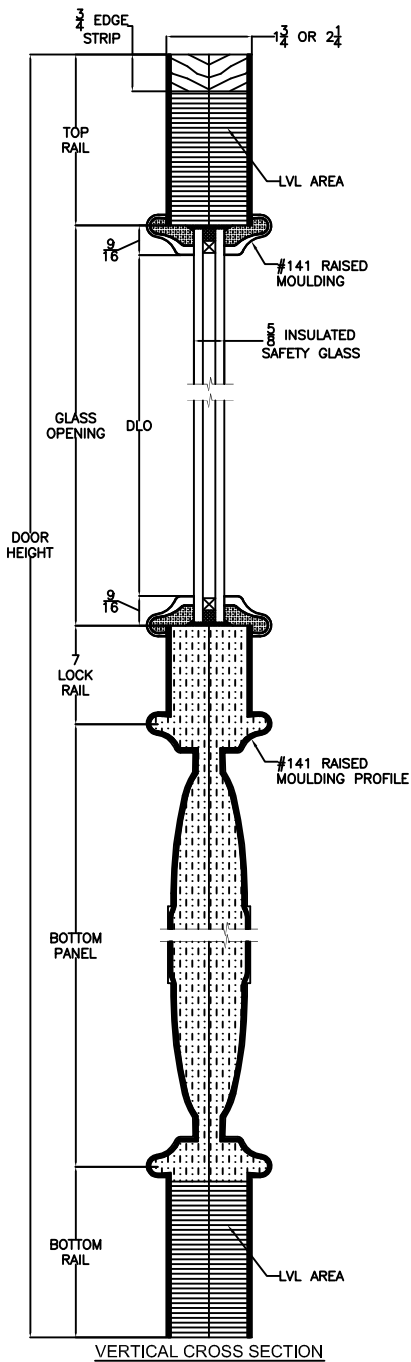
### ELEVATION NOTES

Door Size = Book Size Before Prefit  
Daylight Opening (DLO) = Visible Glass

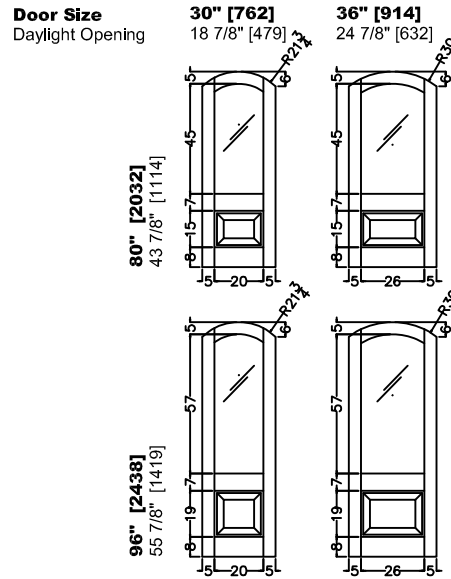
Values in brackets [ ] are millimeter conversions.  
See Grille Detail Sheet for decorative grille options.

### DOOR CROSS-SECTION

Moulding Profile = 141  
Panel Profile = Convex Long (Estate)  
See A1260 Cross Section sheet for more detail.

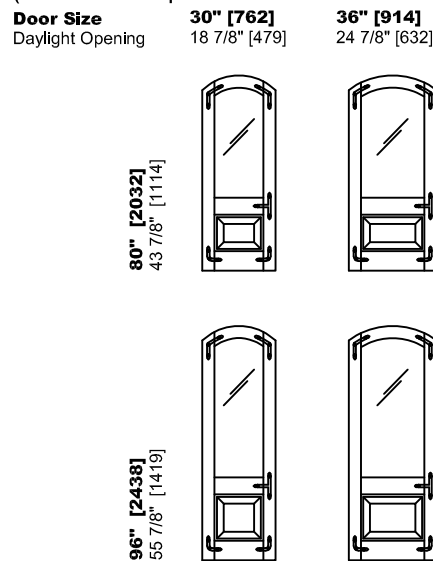


### WITHOUT HARDWARE



### WITH STRAPS

(Hardware Optional/Custom Placement Available)





### ELEVATION NOTES

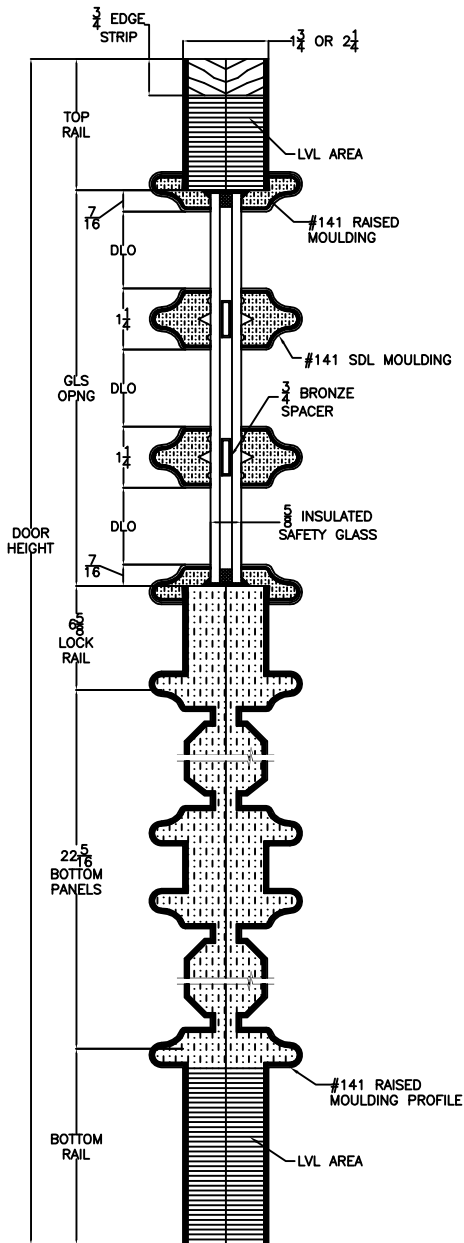
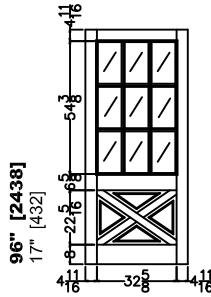
Door Size = Book Size Before Prefit  
Daylight Opening (DLO) = Visible Glass

Values in brackets [ ] are millimeter conversions.  
Sidelight Match = A5703

### DOOR CROSS-SECTION

Moulding Profile = 141  
Panel Profile = 45 Degree  
See A5035 Cross Section sheet for more detail.

**Door Size** 42" [1067]  
Daylight Opening 9 3/4" [248]



VERTICAL CROSS SECTION

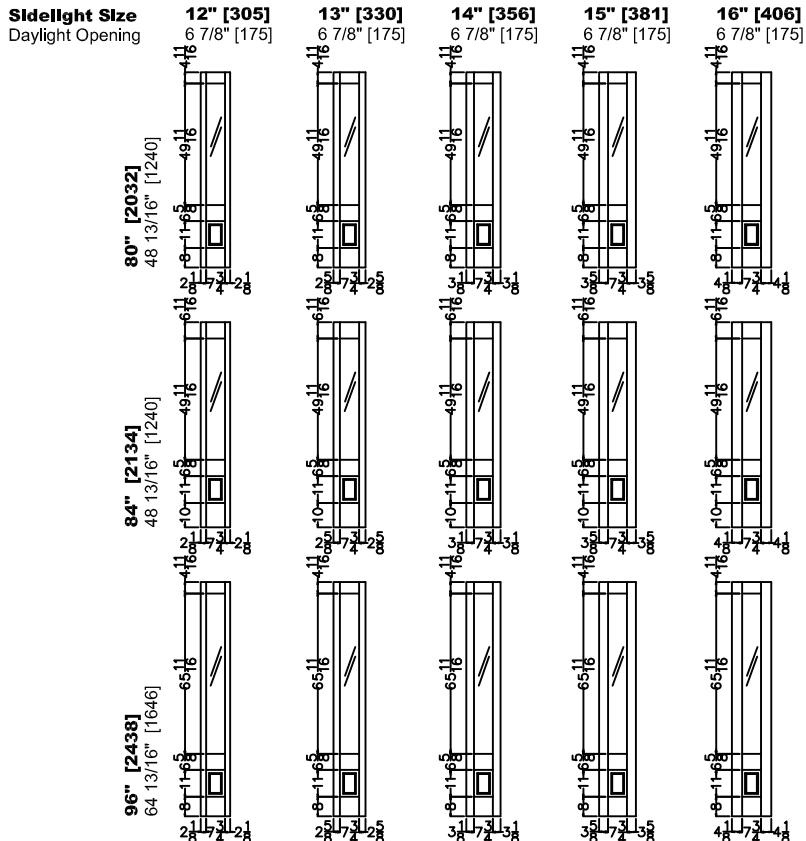
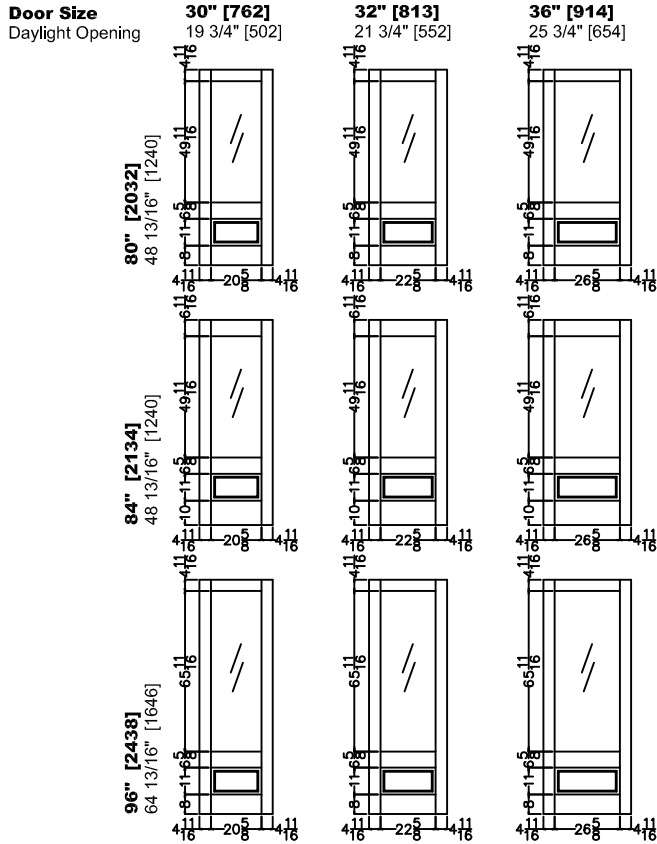
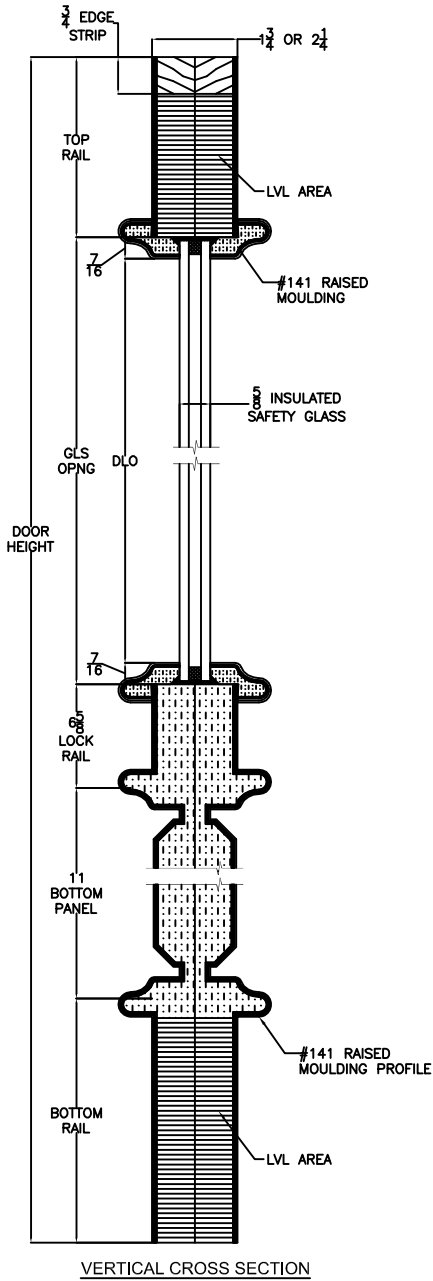
### ELEVATION NOTES

Door Size = Book Size Before Prefit  
Daylight Opening (DLO) = Visible Glass

Values in brackets [ ] are millimeter conversions.  
Sidelight Match = A5501

### DOOR CROSS-SECTION

Moulding Profile = 141  
Panel Profile = 45 Degree  
See A5501 Cross Section sheet for more detail.



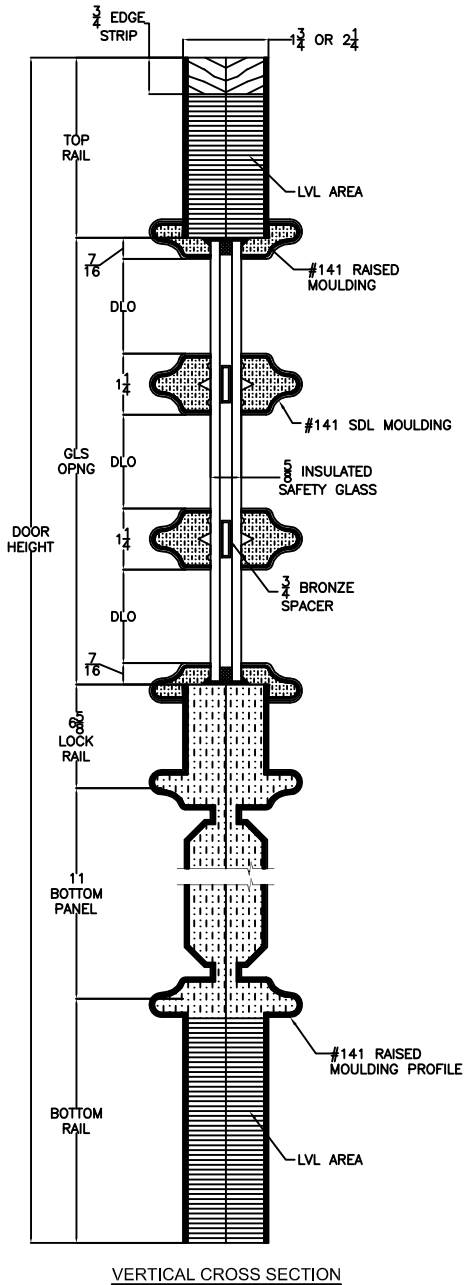
### ELEVATION NOTES

Door Size = Book Size Before Prefit  
Daylight Opening (DLO) = Visible Glass

Values in brackets [ ] are millimeter conversions.  
Sidelight Match = A5506

### DOOR CROSS-SECTION

Moulding Profile = 141  
Panel Profile = 45 Degree  
See A5506 Cross Section sheet for more detail.

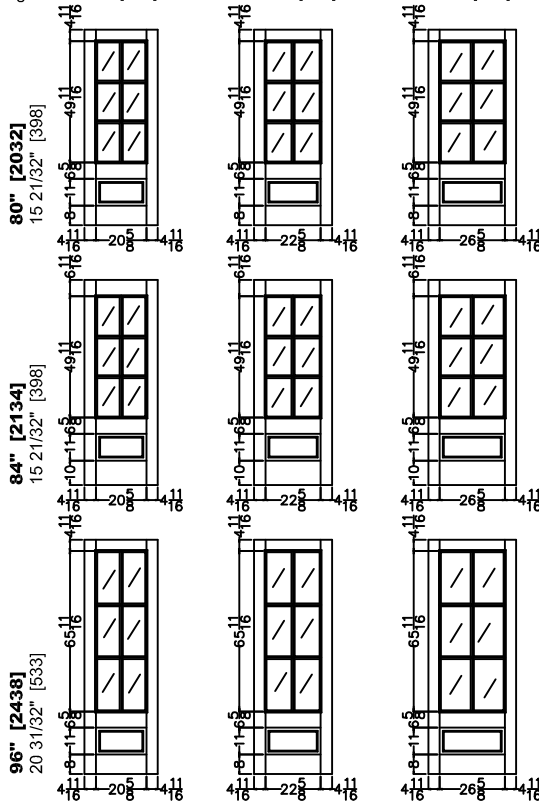


**Door Size**  
Daylight Opening

**30" [762]**  
9 1/4" [235]

**32" [813]**  
10 1/4" [260]

**36" [914]**  
12 1/4" [311]



**Sidelight Size**  
Daylight Opening

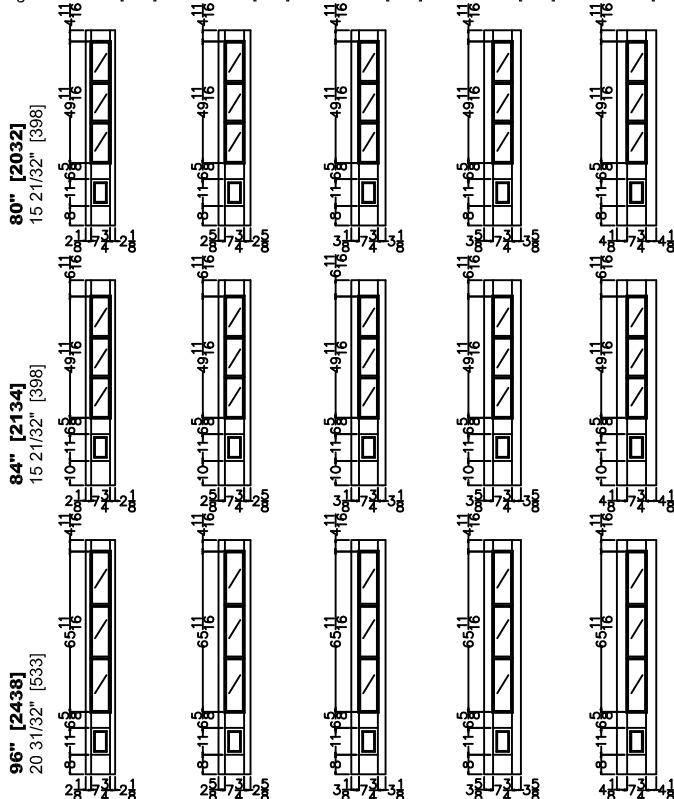
**12" [305]**  
6 7/8" [175]

**13" [330]**  
6 7/8" [175]

**14" [356]**  
6 7/8" [175]

**15" [381]**  
6 7/8" [175]

**16" [406]**  
6 7/8" [175]



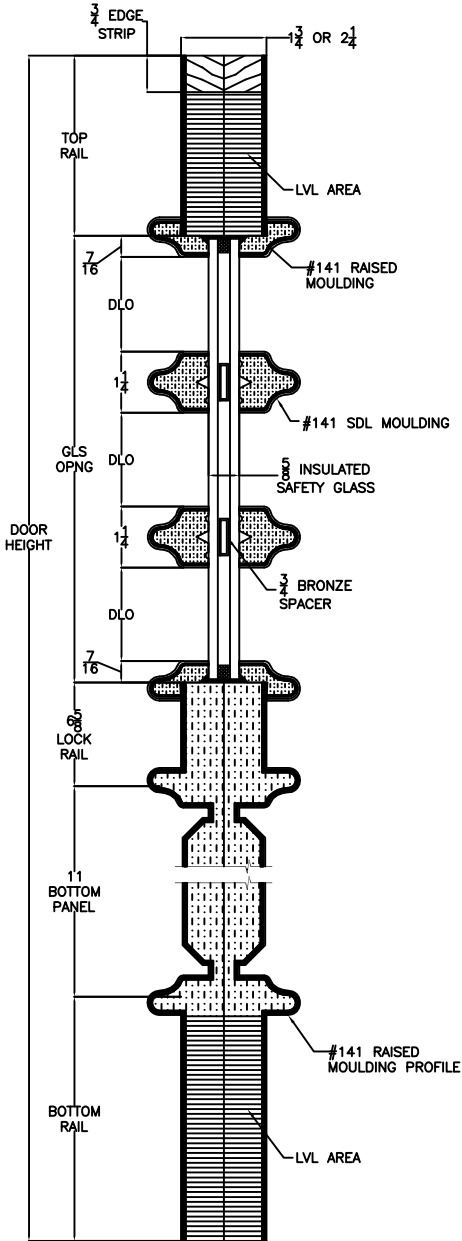
### ELEVATION NOTES

Door Size = Book Size Before Prefit  
 Daylight Opening (DLO) = Visible Glass

Values in brackets [ ] are millimeter conversions.

### DOOR CROSS-SECTION

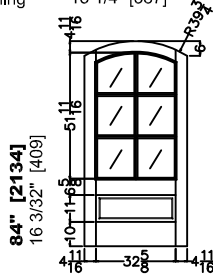
Moulding Profile = 141  
 Panel Profile = 45 Degree  
 See A5506 Cross Section sheet for more detail.



VERTICAL CROSS SECTION

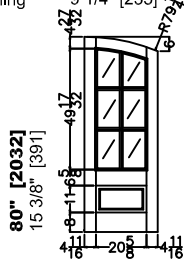
### SEGMENT

**Door Size** 42" [1067]  
**Daylight Opening** 15 1/4" [387]

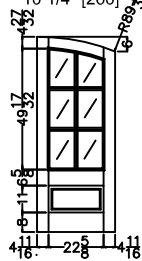


### 1/2 SEGMENT

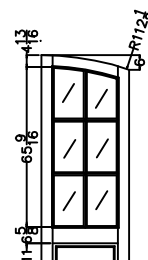
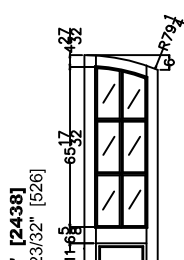
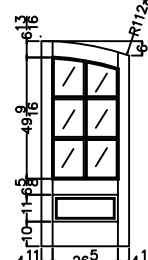
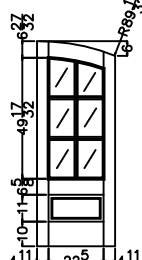
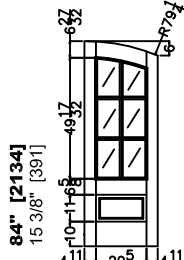
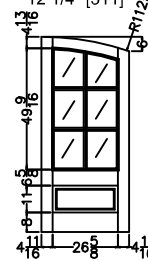
**Door Size** 30" [762]  
**Daylight Opening** 9 1/4" [235]



**Door Size** 32" [813]  
**Daylight Opening** 10 1/4" [260]



**Door Size** 36" [914]  
**Daylight Opening** 12 1/4" [311]



### ELEVATION NOTES

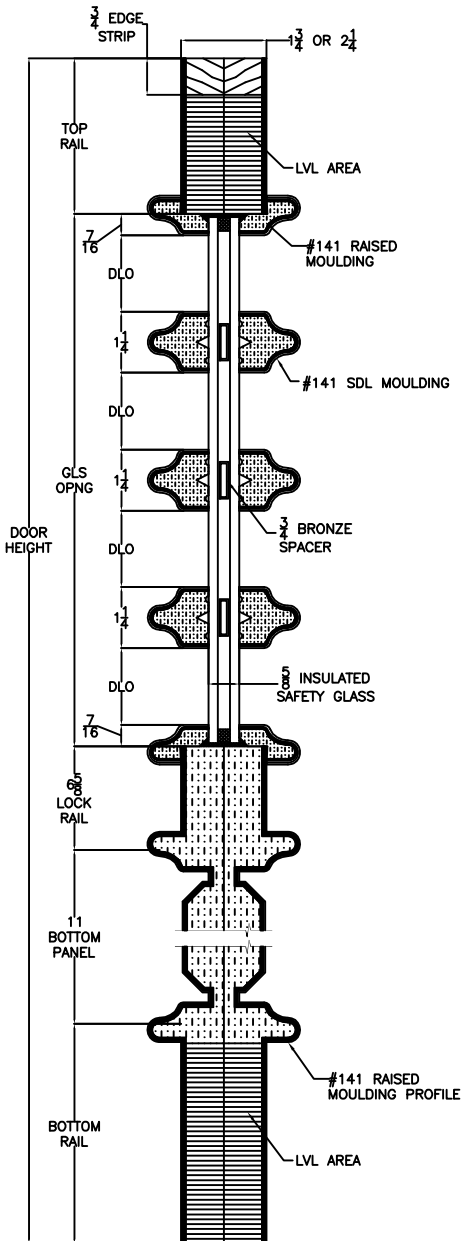
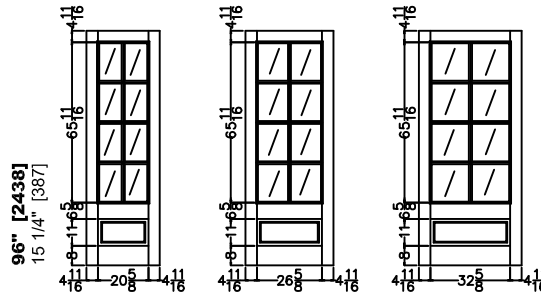
Door Size = Book Size Before Prefit  
Daylight Opening (DLO) = Visible Glass

Values in brackets [ ] are millimeter conversions.  
Sidelight Match = A5512

### DOOR CROSS-SECTION

Moulding Profile = 141  
Panel Profile = 45 Degree  
See A5508 Cross Section sheet for more detail.

Door Size	30" [762]	36" [914]	42" [1067]
Daylight Opening	9 1/4" [235]	12 1/4" [311]	15 1/4" [387]



VERTICAL CROSS SECTION

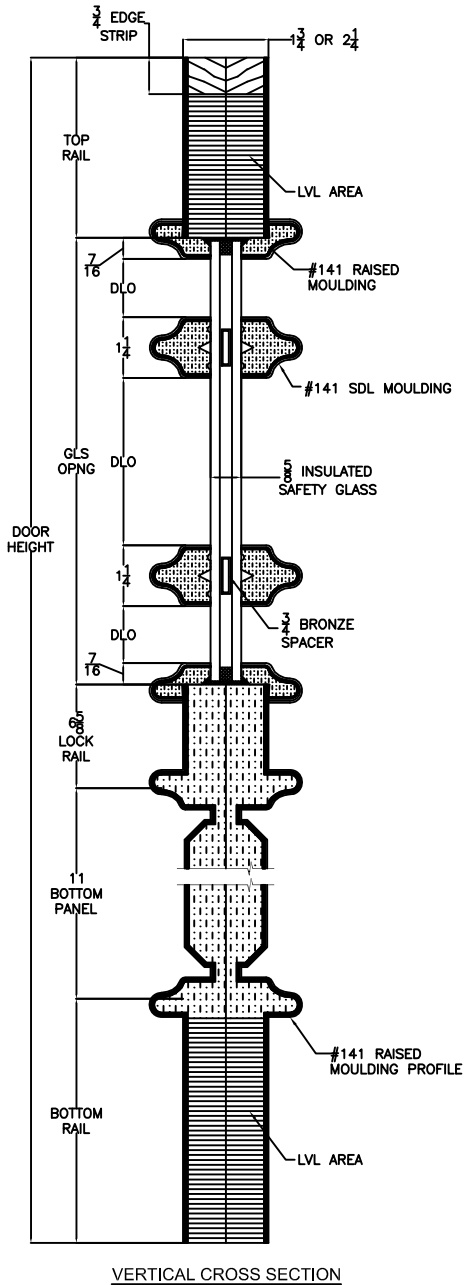
### ELEVATION NOTES

Door Size = Book Size Before Prefit  
Daylight Opening (DLO) = Visible Glass

Values in brackets [ ] are millimeter conversions.  
Sidelight Match = A5509

### DOOR CROSS-SECTION

Moulding Profile = 141  
Panel Profile = 45 Degree  
See A5509 Cross Section sheet for more detail.



**Door Size**  
Daylight Opening

**30" [762]**

Various

**32" [813]**

Various

**36" [914]**

Various

**42" [1067]**

Various

**80" [2032]**  
Various

**84" [2134]**  
Various

**96" [2438]**  
Various

**Sidelight Size**  
Daylight Opening

**12" [305]**

6 7/8" [175]

**13" [330]**

6 7/8" [175]

**14" [356]**

6 7/8" [175]

**15" [381]**

6 7/8" [175]

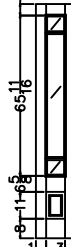
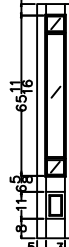
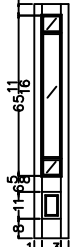
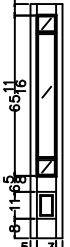
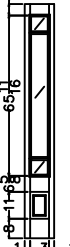
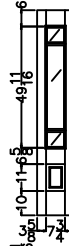
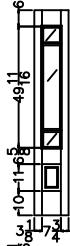
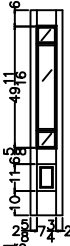
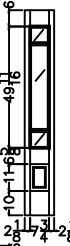
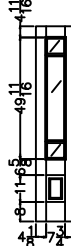
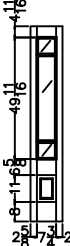
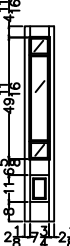
**16" [406]**

6 7/8" [175]

**80" [2032]**  
Various

**84" [2134]**  
Various

**96" [2438]**  
Various



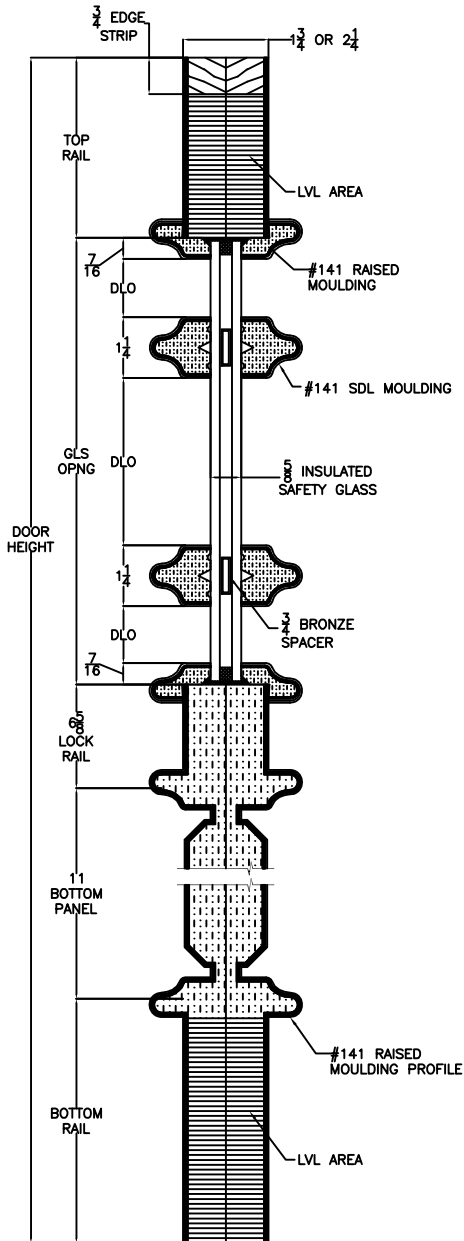
### ELEVATION NOTES

Door Size = Book Size Before Prefit  
Daylight Opening (DLO) = Visible Glass

Values in brackets [ ] are millimeter conversions.

### DOOR CROSS-SECTION

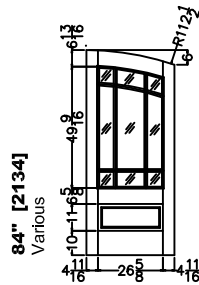
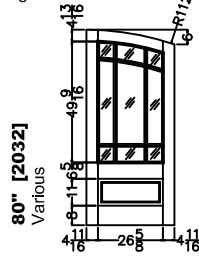
Moulding Profile = 141  
Panel Profile = 45 Degree  
See A5509 Cross Section sheet for more detail.



VERTICAL CROSS SECTION

### 1/2 SEGMENT

Door Size 36" [914]  
Daylight Opening Various



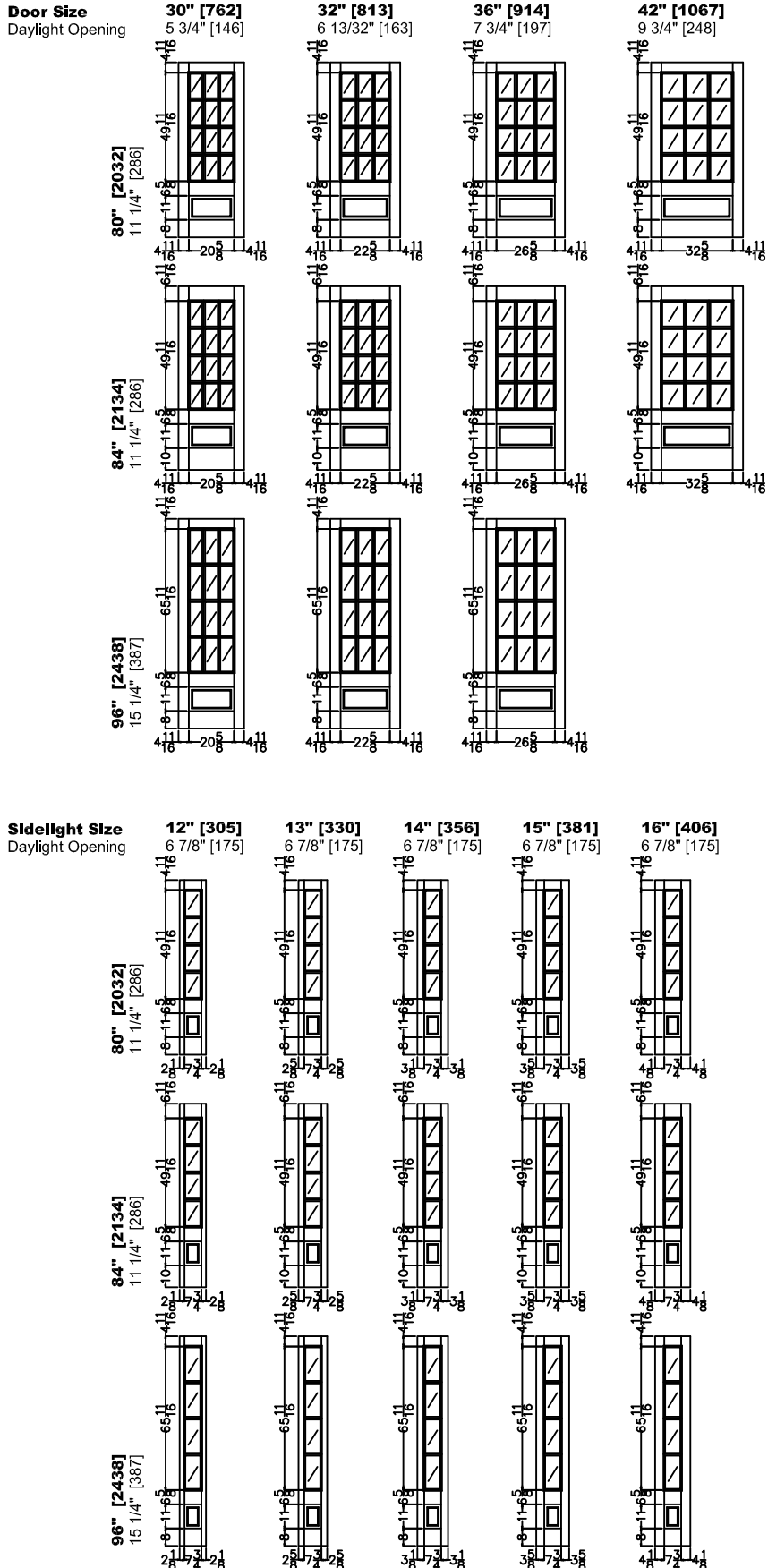
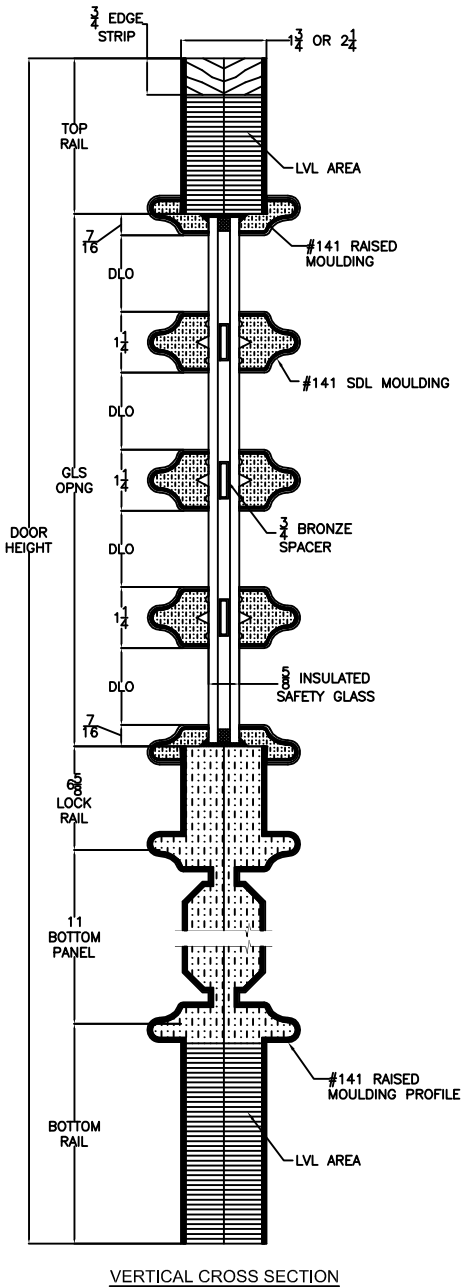
### ELEVATION NOTES

Door Size = Book Size Before Prefit  
Daylight Opening (DLO) = Visible Glass

Values in brackets [ ] are millimeter conversions.  
Sidelight Match = A5512

### DOOR CROSS-SECTION

Moulding Profile = 141  
Panel Profile = 45 Degree  
See A5512 Cross Section sheet for more detail.







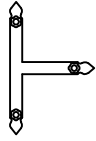
**ROUND CLAVOS**

Size Options: 1" diameter, 1.75" diameter  
Finish Options: Dark Patina, Rust Patina  
Material: Composite



**DIAMOND CLAVOS**

Size Options: 1", 1.75"  
Finish Options: Dark Patina, Rust Patina  
Material: Composite



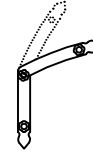
**RAIL STRAP**

Finish Options: Dark Patina, Rust Patina  
Material: Composite



**CORNER STRAP**

Finish Options: Dark Patina, Rust Patina  
Material: Composite



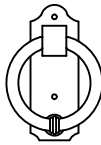
**RADIUS STRAP**

Finish Options: Dark Patina, Rust Patina  
Material: Composite  
Adjustable for Segment/Radius Shapes



**EXTENDED STRAP**

Size: 25" x 3 1/4"  
Finish Options: Dark Patina, Rust Patina  
Material: Composite



**COLONIAL DOOR KNOCKER**

Base: 2" Wide x 5 5/8" Tall, Handle: 4" Wide  
Finish Options: Dark Patina, Rust Patina  
Material: Composite

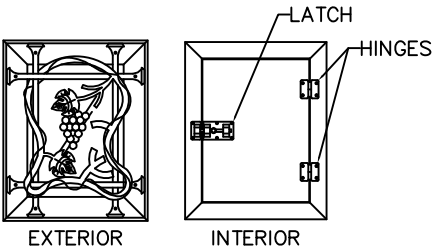


**FLEUR de LIS DOOR KNOCKER**

Base + Handle: 3 3/4" Wide x 4 7/8" Tall  
Finish Options: Dark Patina, Rust Patina  
Material: Composite

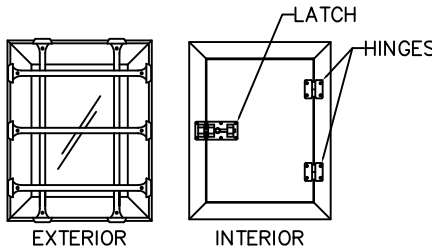
**SPEAKEASY/DOOR LIGHT**

Glass Options: Clear IG, Clear SG, Bevel IG, Bevel SG, Glue Chip IG,  
Low E IG, Rain IG, Reed IG, Frosted IG, Open for Glass  
Handing: Will be Handed to Match the Door unless Otherwise Specified  
Frame Size: 12" x 15", Daylight Opening: 8" x 11", Actual Glass Size: 8 7/8" x 11 7/8"



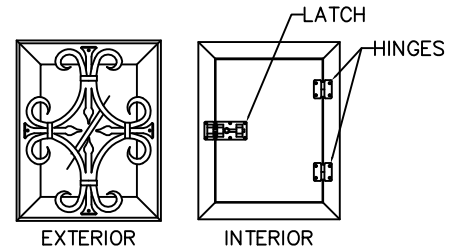
**BORDEAUX SPEAKEASY**

Hardware Finish Options: Dark Patina, Rust Patina  
Material: Composite (Aluminum Hardware)



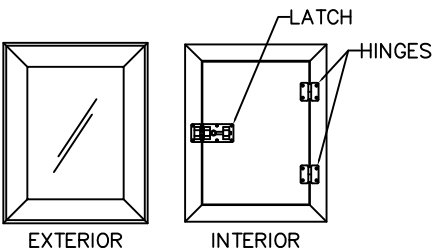
**RUSTIC SPEAKEASY**

Hardware Finish Options: Dark Patina, Rust Patina  
Material: Composite (Aluminum Hardware)



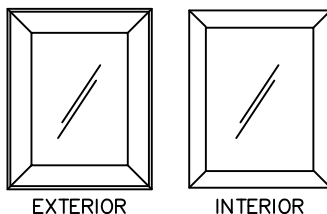
**SEVILLE SPEAKEASY**

Hardware Finish Options: Dark Patina, Rust Patina  
Material: Composite (Aluminum Hardware)



**SPEAKEASY (NO GRILLE)**

Hardware Finish Options: Dark Patina, Rust Patina  
Material: Composite (Aluminum Hardware)



**RECTANGLE DOOR LIGHT**

Hardware Finish Options: n/a  
Material: Composite  
Available with All Speakeasy Grilles

### INSULATED GLASS

Clear Safety  
Clear Beveled  
Glue Chip  
Low-E  
Rain  
Reed  
Frosted

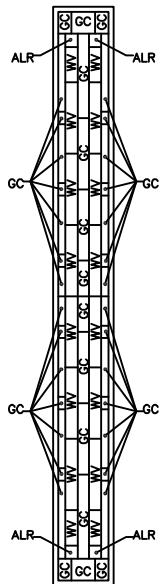
### TRIPLE GLAZED

A - Q

#### "A" GLASS

Door Size  
Glass Size

36"  
7 3/8"



96" Door  
70 3/8" Glass

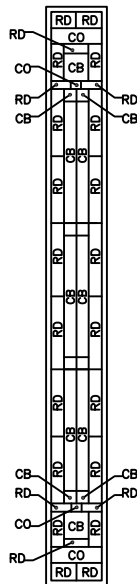
#### LEGEND

GC-Glue Chip  
WV-Weave  
ALR-Antique Light Rose

#### "Q" GLASS

Door Size  
Glass Size

36"  
7 3/8"



96" Door  
70 3/8" Glass

#### LEGEND

CB-Clear Bevel  
CO-Cotswald  
RD-Reed

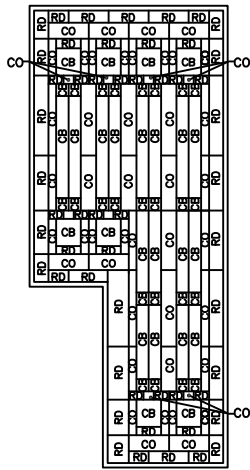
### INSULATED GLASS

Clear Safety  
Clear Beveled  
Glue Chip  
Low-E  
Rain  
Reed  
Frosted

### TRIPLE GLAZED

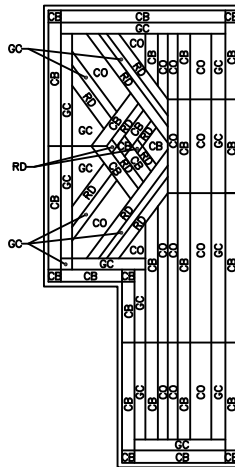
Q - Y

#### "Q" GLASS

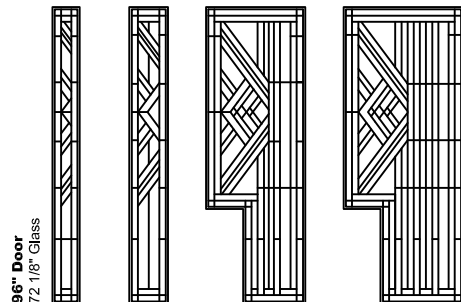
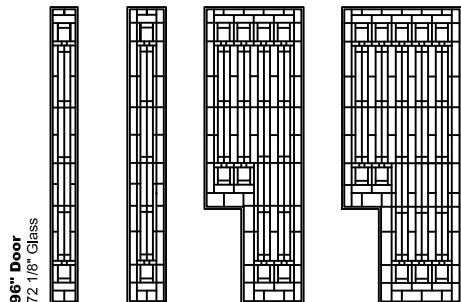
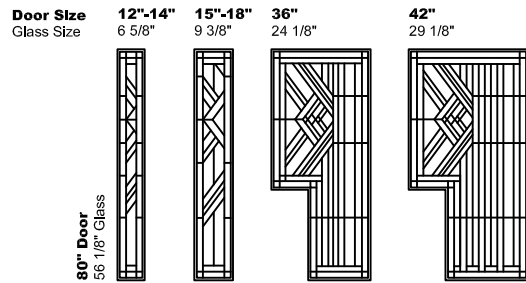
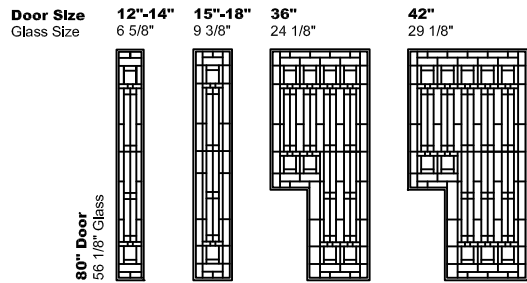


**LEGEND**  
CB-Clear Bevel  
CO-Cotswald  
RD-Reed

#### "Y" GLASS



**LEGEND**  
CB-Clear Bevel  
GC-Glue Chip  
CO-Cotswald  
RD-Reed



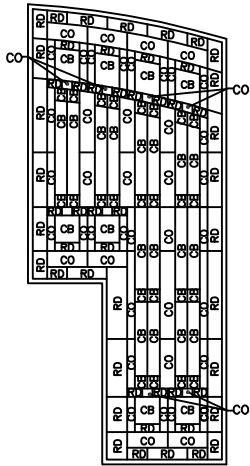
### INSULATED GLASS

Clear Safety  
Clear Beveled  
Glue Chip  
Low-E  
Rain  
Reed  
Frosted

### TRIPLE GLAZED

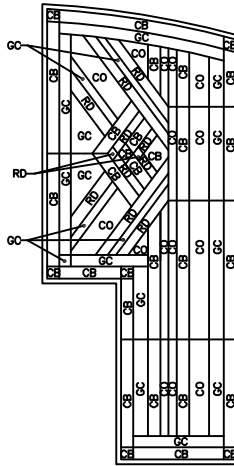
Q - Y

#### "Q" GLASS



**LEGEND**  
CB-Clear Bevel  
CO-Cotswald  
RD-Reed

#### "Y" GLASS



**LEGEND**  
CB-Clear Bevel  
GC-Glue Chip  
CO-Cotswald  
RD-Reed

Door Size	12"-14"	15"-18"	36"	42"
Glass Size	6 5/8"	9 3/8"	24 1/8"	29 1/8"
<b>74" Sidelight</b>				
50 1/8" Glass				
<b>80" Door</b>				
56" Glass				

Door Size	12"-14"	15"-18"	36"	42"
Glass Size	6 5/8"	9 3/8"	24 1/8"	29 1/8"
<b>74" Sidelight</b>				
50 1/8" Glass				
<b>80" Door</b>				
56" Glass				

<b>90" Sidelight</b>				
66 1/8" Glass				
<b>96" Door</b>				
72" Glass				

<b>90" Sidelight</b>				
66 1/8" Glass				
<b>96" Door</b>				
72" Glass				

### INSULATED GLASS

Clear Safety  
Clear Beveled  
Glue Chip  
Low-E  
Rain  
Reed  
Frosted

### TRIPLE GLAZED

C - U - Y

#### "C" GLASS

Door Size	12"-14"	15"-18"	30"	32"	36"/42"
Glass Size	6 7/8"	9 1/8"	12"	14"	17 1/2"
<b>80" Door</b> 44 1/16" Glass					
<b>96" Door</b> 55 1/16" Glass			<b>30"</b> 11 7/8"	<b>36"</b> 17 1/2"	<b>42"</b> 21 1/8"

**LEGEND**  
CB-Clear Bevel  
WW-Clear Water  
RI-Ripple

#### "U" GLASS

Door Size	12"-14"	15"-18"	30"	32"	36"/42"
Glass Size	6 7/8"	9 1/8"	12"	14"	17 1/2"
<b>80" Door</b> 44 1/16" Glass					
<b>96" Door</b> 55 1/16" Glass			<b>30"</b> 11 7/8"	<b>36"</b> 17 1/2"	<b>42"</b> 21 1/8"

**LEGEND**  
CB-Clear Bevel  
GC-Glue Chip  
GV-Glue Chip Bevel  
RI-Ripple

#### "Y" GLASS

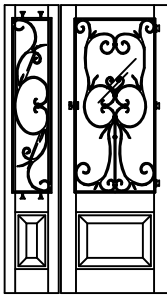
Door Size	12"-14"	15"-18"	30"	32"	36"/42"
Glass Size	6 7/8"	9 1/8"	12"	14"	17 1/2"
<b>80" Door</b> 44 1/16" Glass					
<b>96" Door</b> 55 1/16" Glass			<b>30"</b> 11 7/8"	<b>36"</b> 17 1/2"	<b>42"</b> 21 1/8"

**LEGEND**  
CB-Clear Bevel  
GC-Glue Chip  
RI-Ripple

GRILLE NOTES

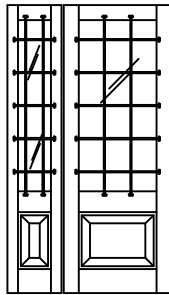
Finish: Dark Patina  
Material: Aluminum

- Door & Sidelight Grilles are Operable  
(Handed to Match Door)
- Design may Vary by Size/Shape of Door  
(18"/36" x 96" Shown)
- Grilles May be Customized



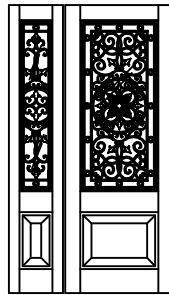
FLORENCE

Surface Mounted to Stiles  
Sidelight Non-Operable

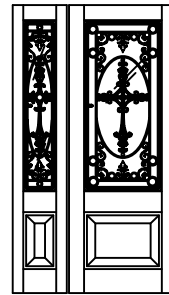


RUSTIC

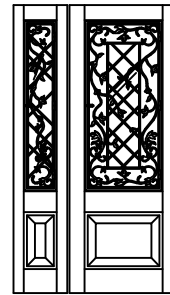
Surface Mounted to Stiles  
Non-Operable



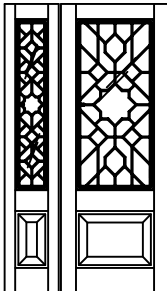
ARMADA



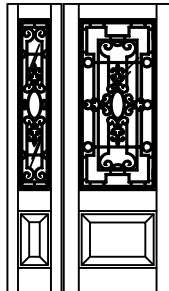
CATHEDRAL



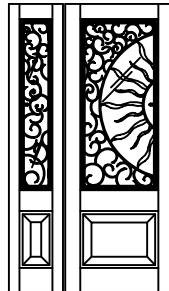
CHATEAU



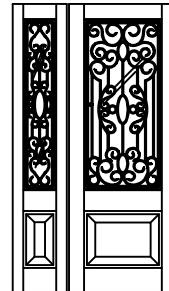
ETRUSCAN



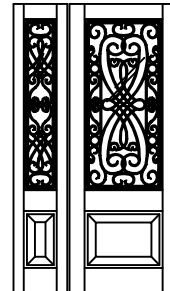
GEORGIAN



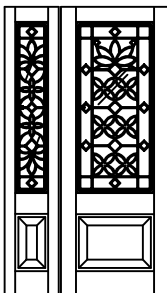
HELIOS



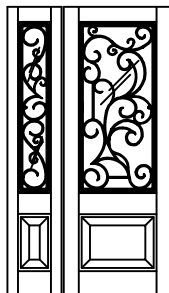
HERITAGE



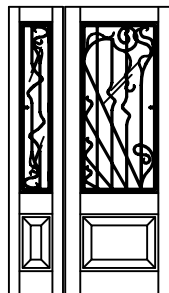
INFINITY



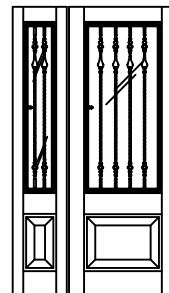
LOTUS



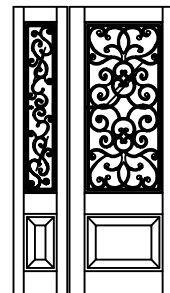
MEDITERRANEAN



NOUVEAU



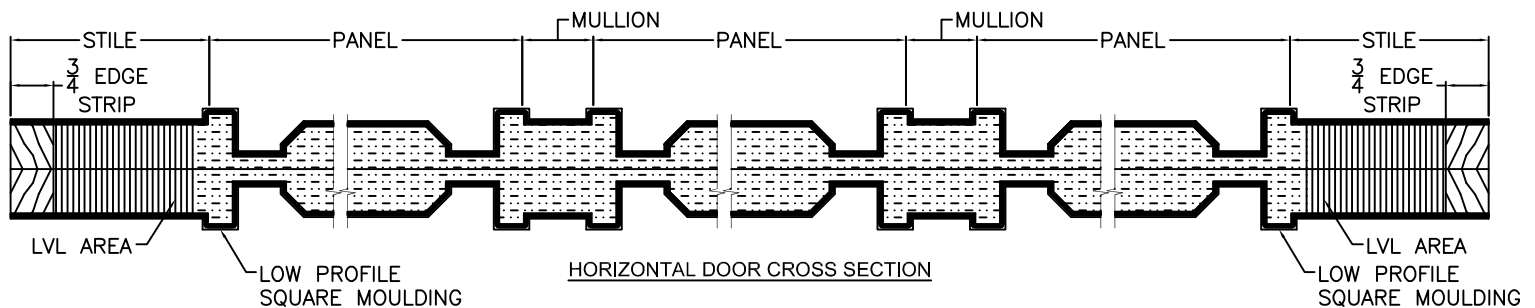
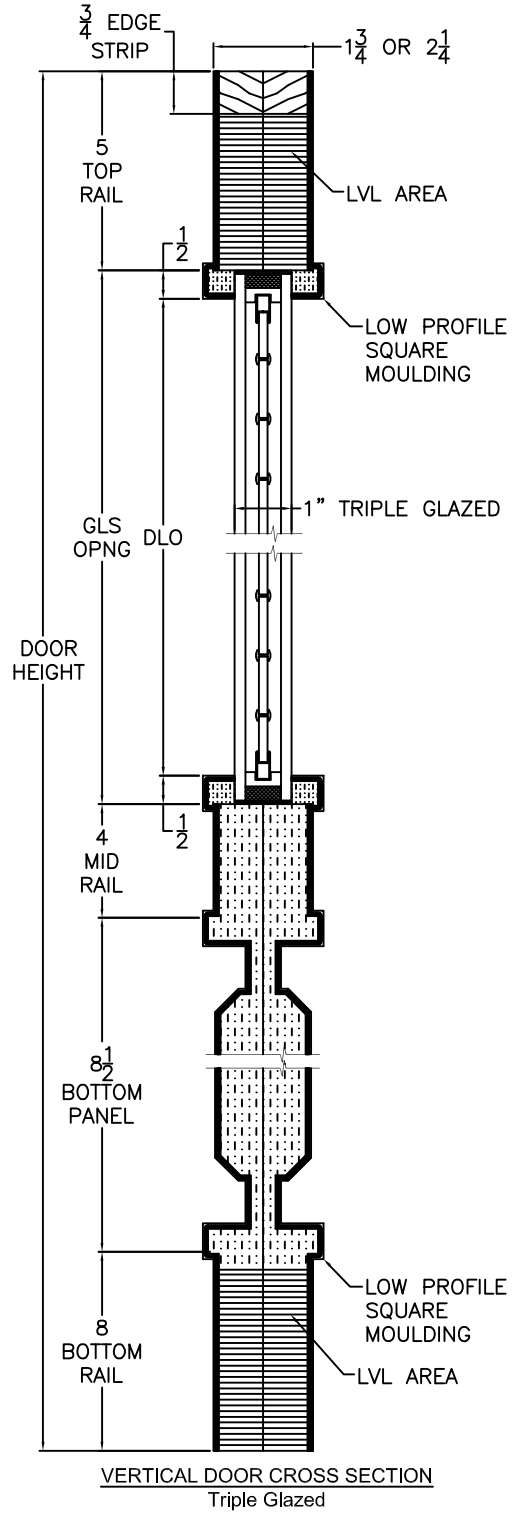
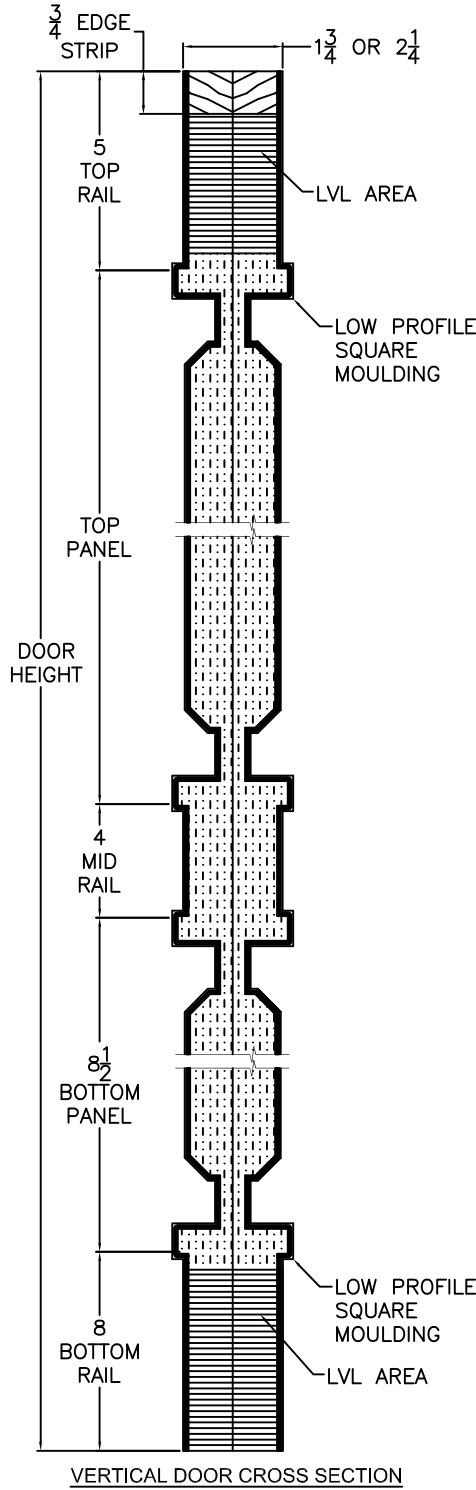
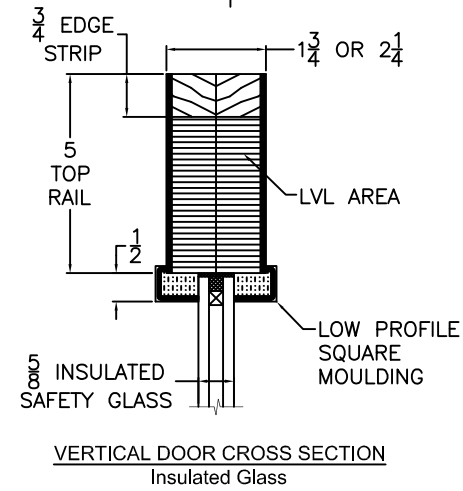
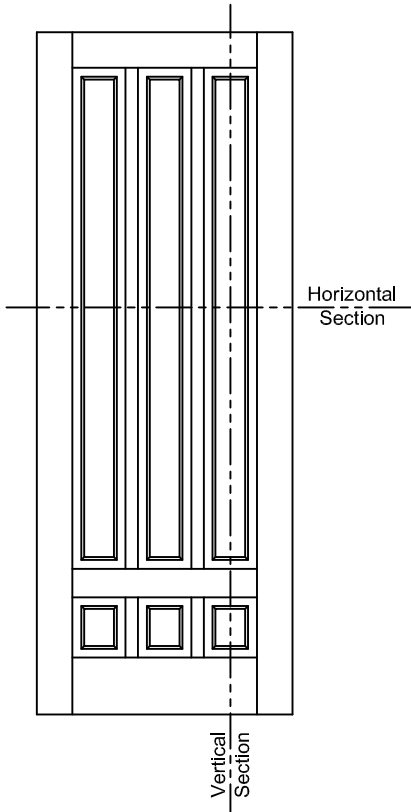
REGAL



VERSAILLES

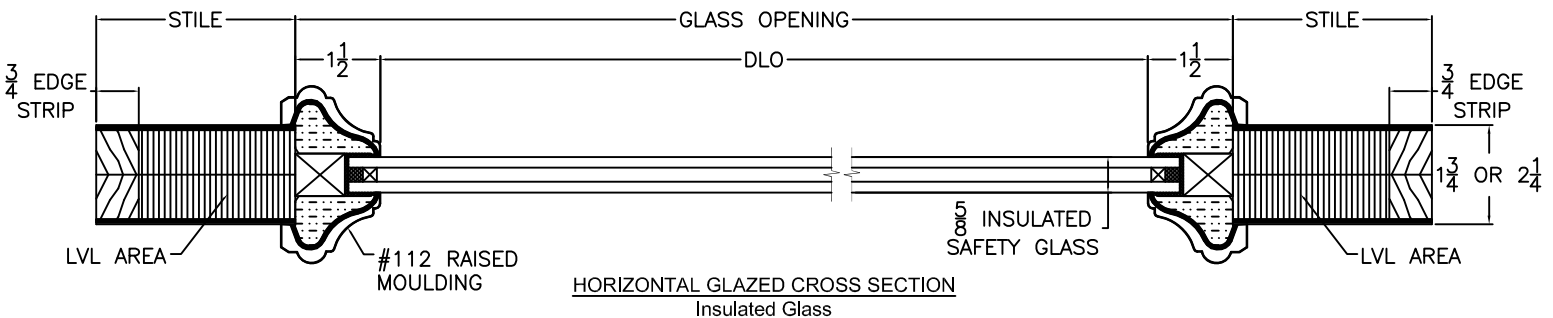
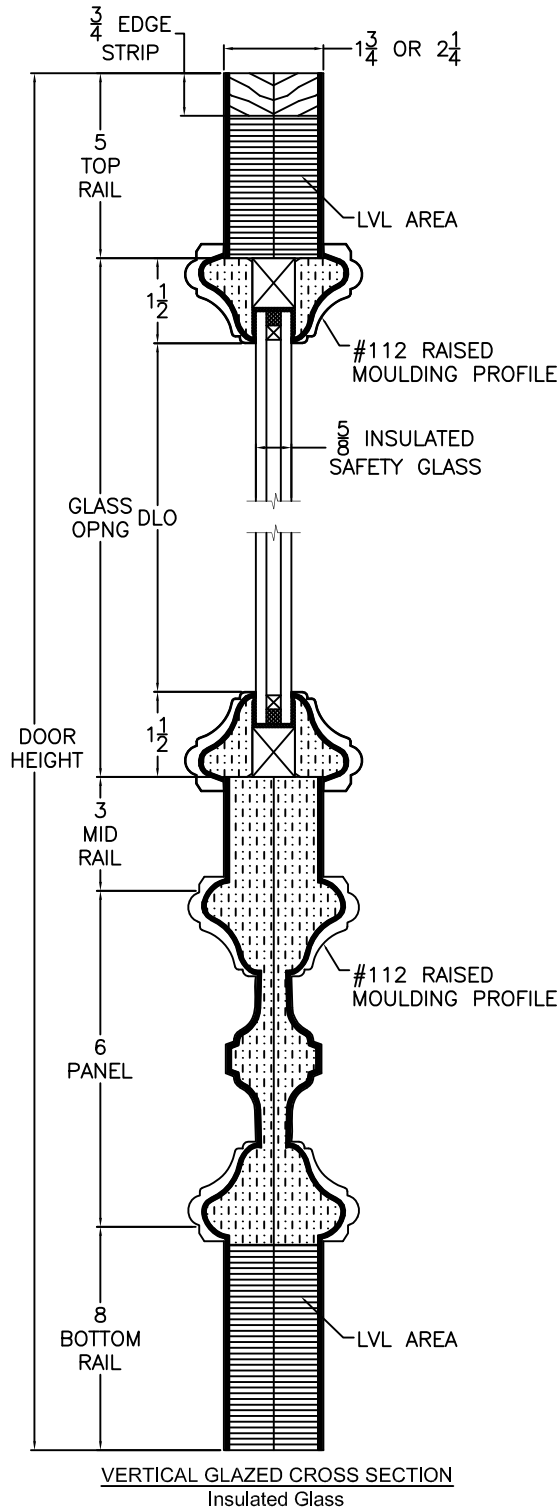
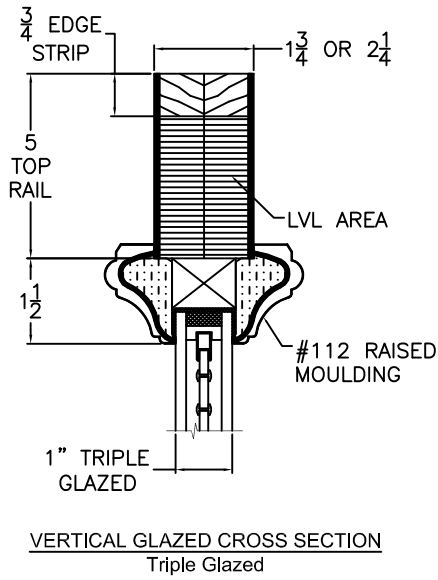
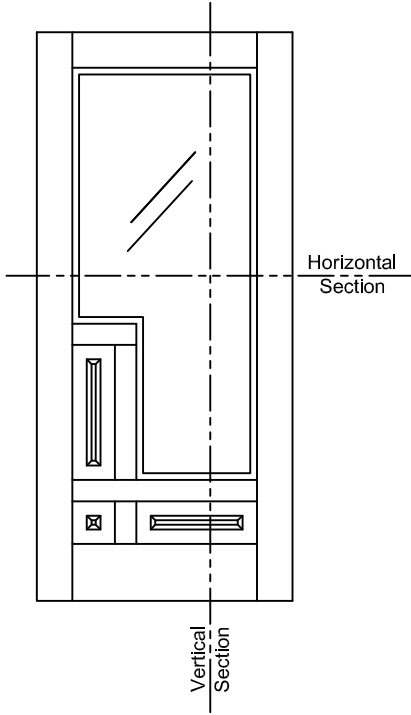
# A180 CROSS SECTIONS

Scale: 3" = 1'-0"



# A200 CROSS SECTIONS

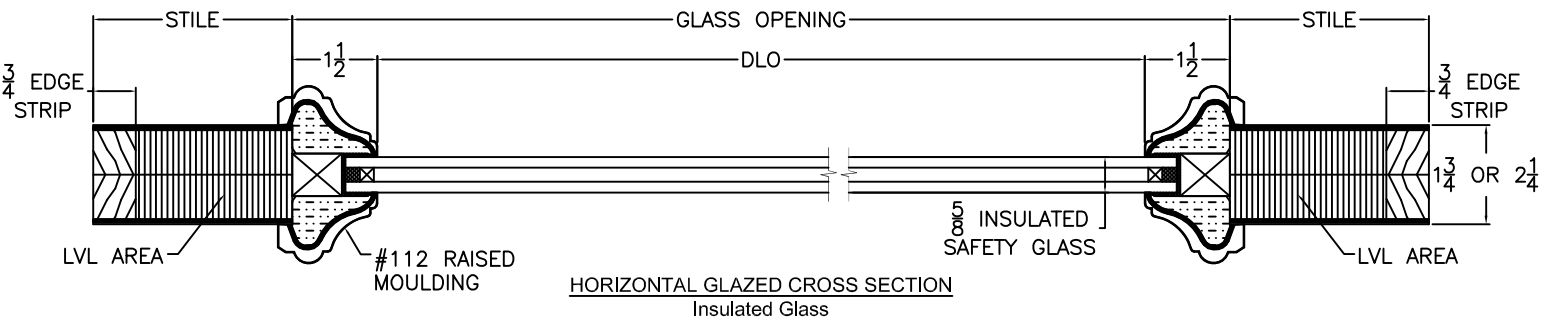
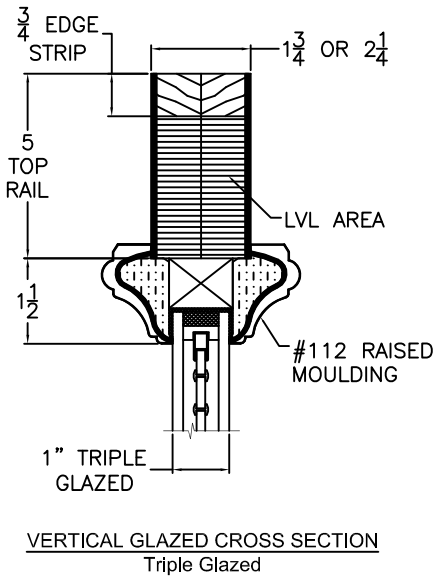
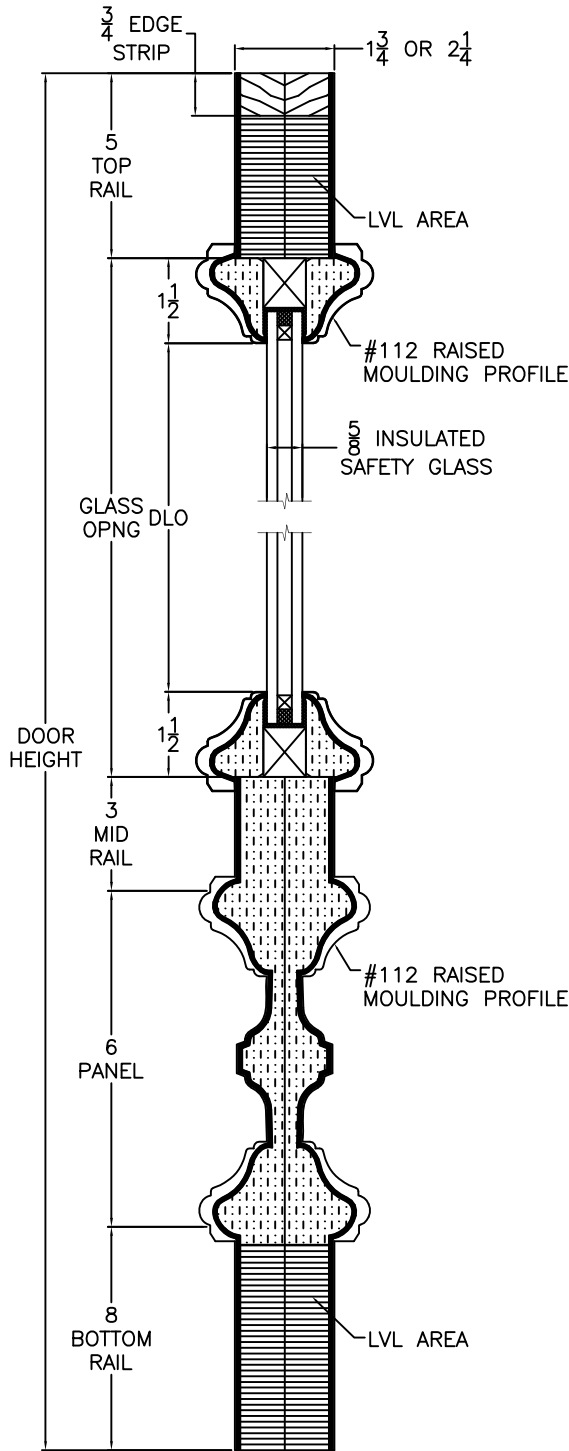
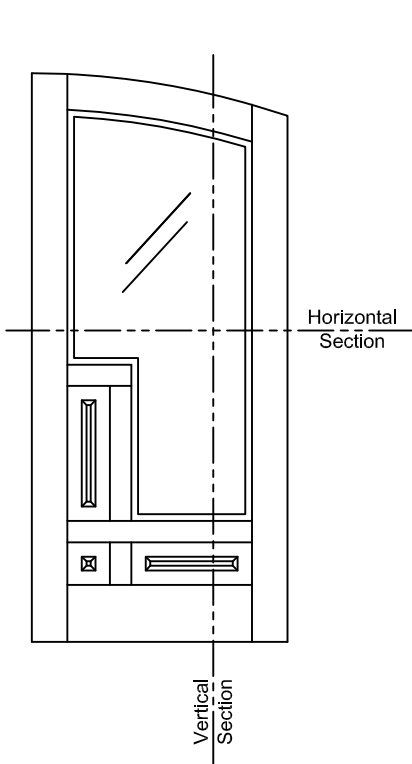
Scale: 3" = 1'-0"

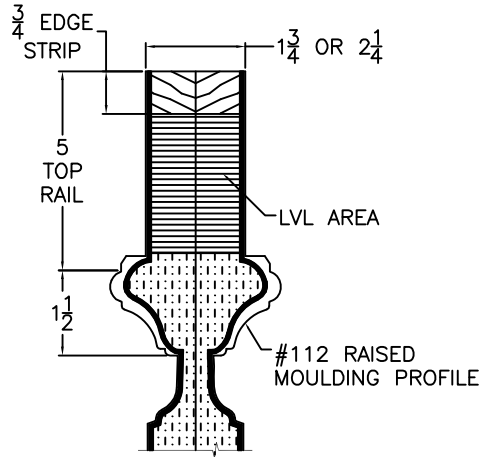
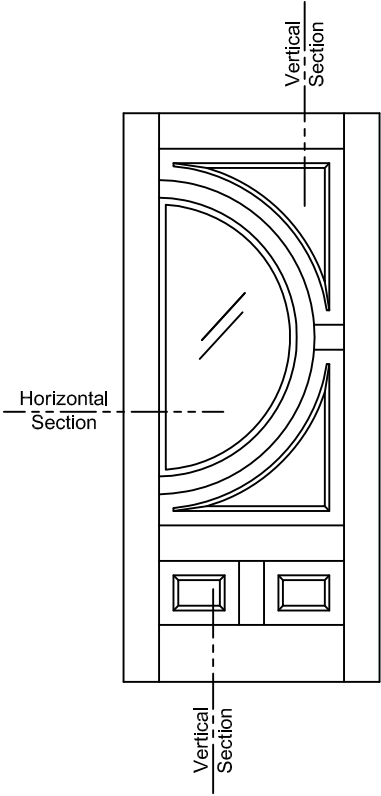




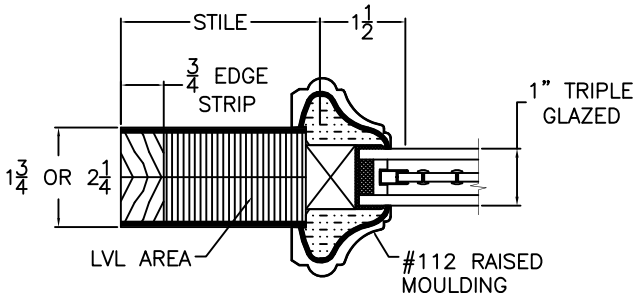
# A201 CROSS SECTIONS

Scale: 3" = 1'-0"

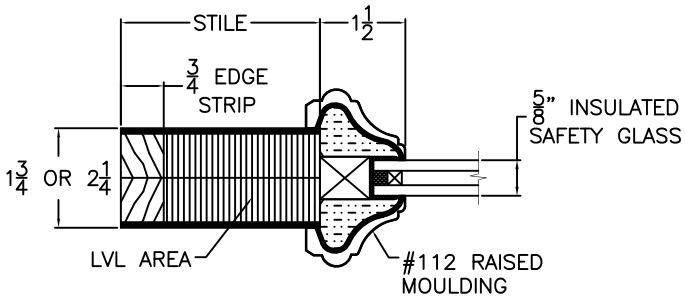




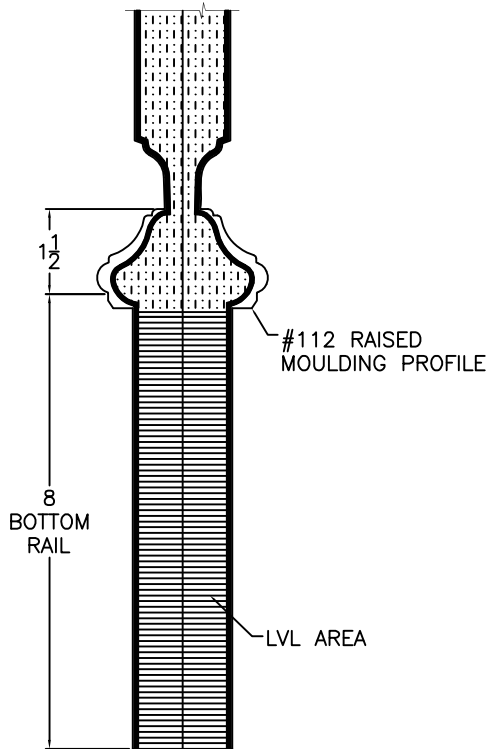
VERTICAL PANEL CROSS SECTION



HORIZONTAL GLAZED CROSS SECTION  
Triple Glazed



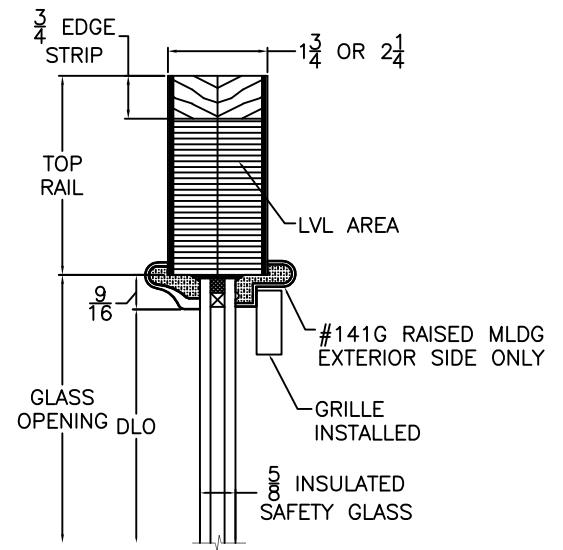
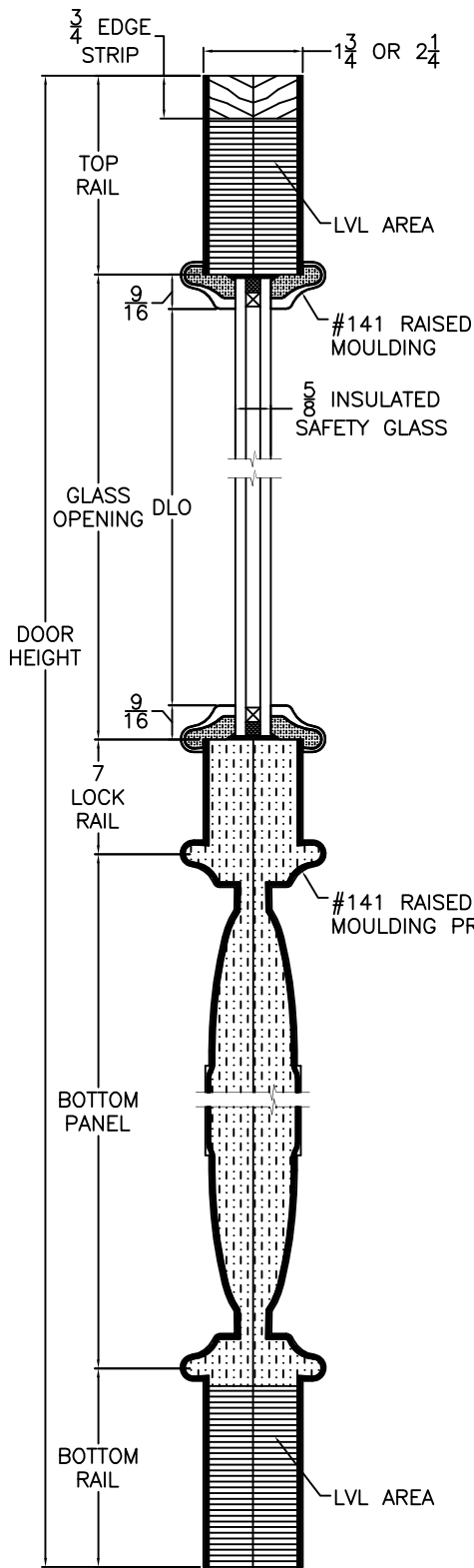
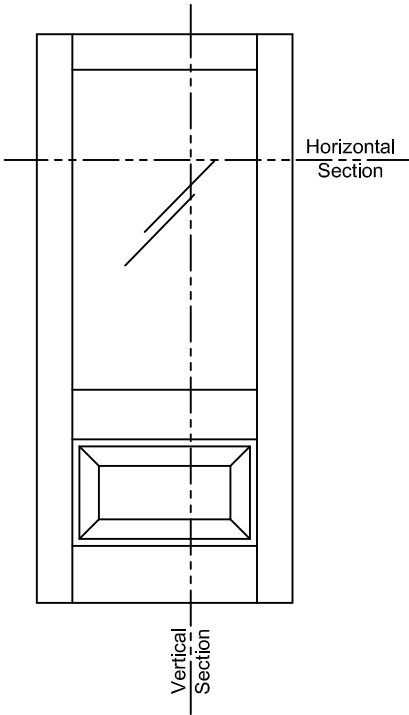
HORIZONTAL GLAZED CROSS SECTION  
Insulated Glass



VERTICAL PANEL CROSS SECTION

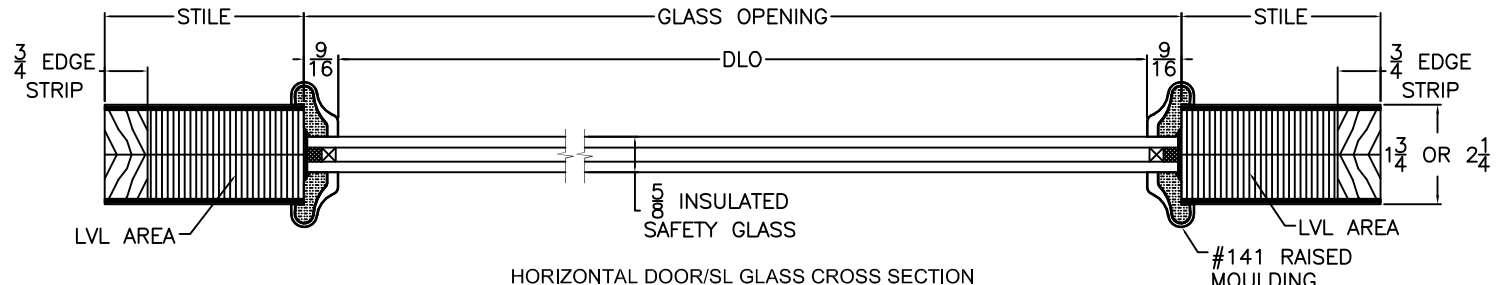
# A1260 CROSS SECTIONS

Scale: 3" = 1'-0"



VERTICAL DOOR/SIDELIGHT CROSS SECTION  
For INSET Grille Application  
(Florence & Rustic Grilles are Stile-Mounted)

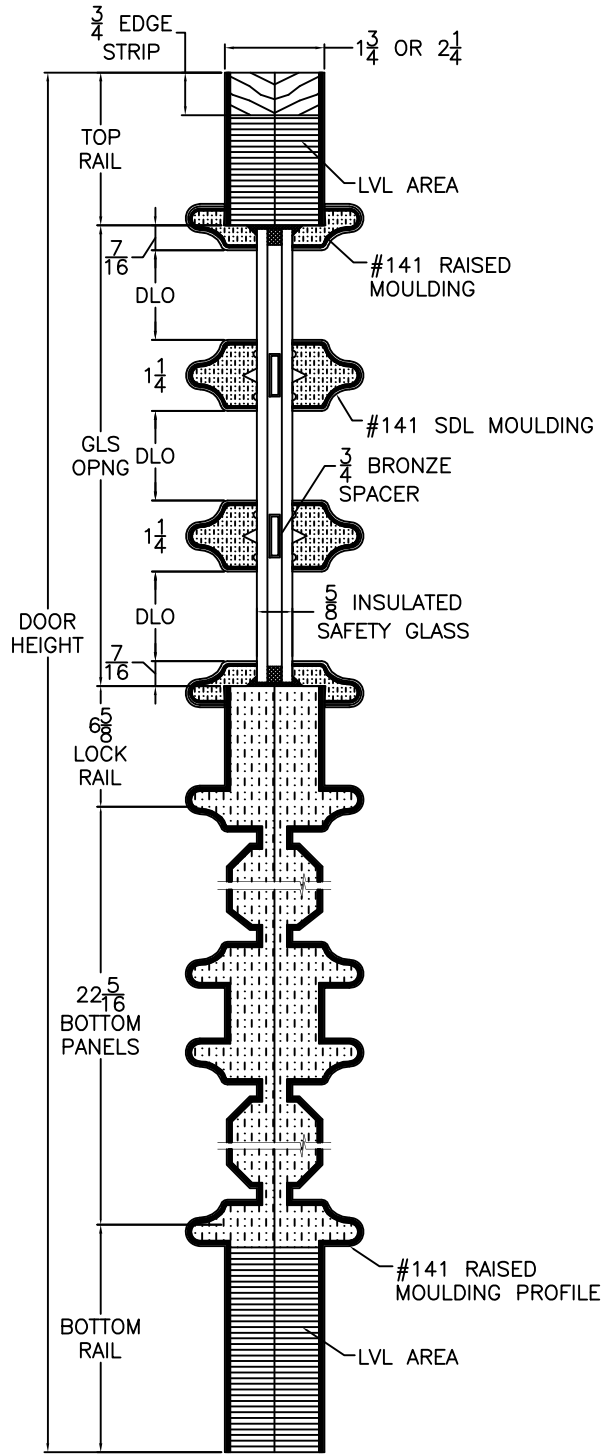
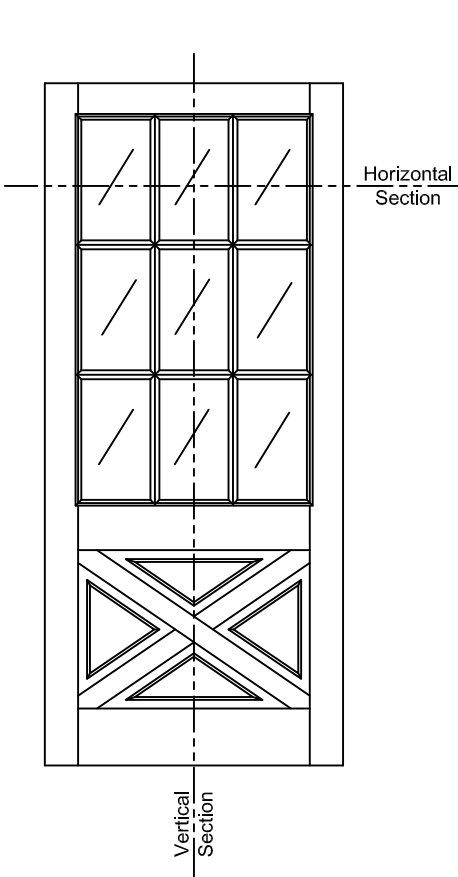
VERTICAL DOOR/SIDELIGHT CROSS SECTION  
Insulated Glass



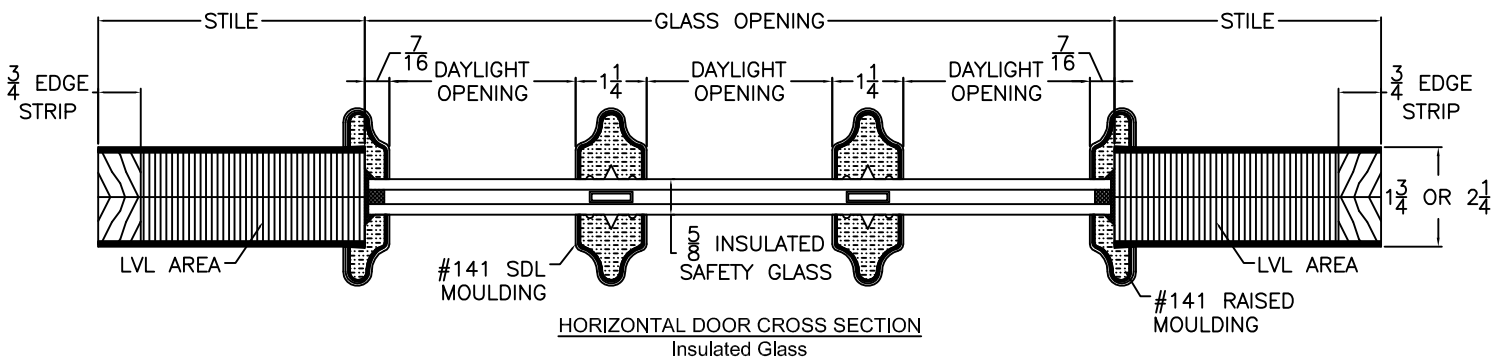
HORIZONTAL DOOR/SL GLASS CROSS SECTION

# A5035 CROSS SECTIONS

Scale: 3" = 1'-0"



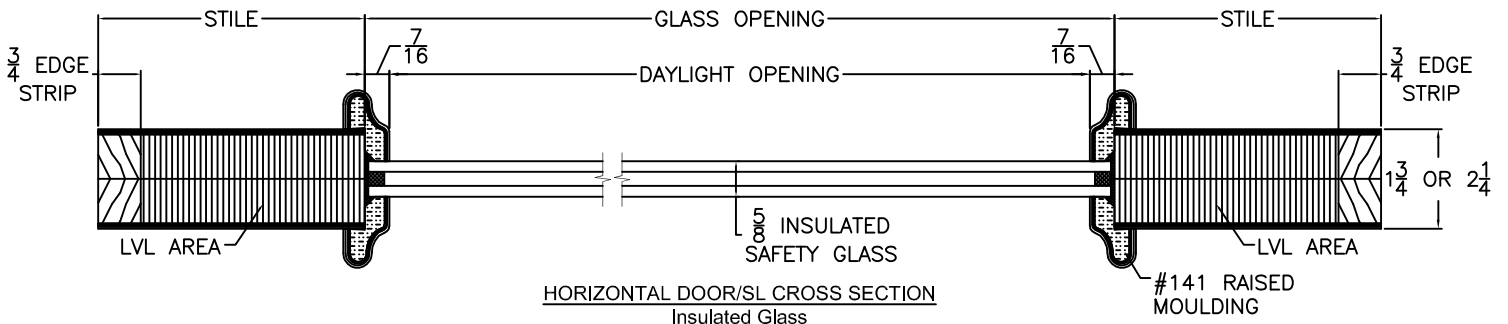
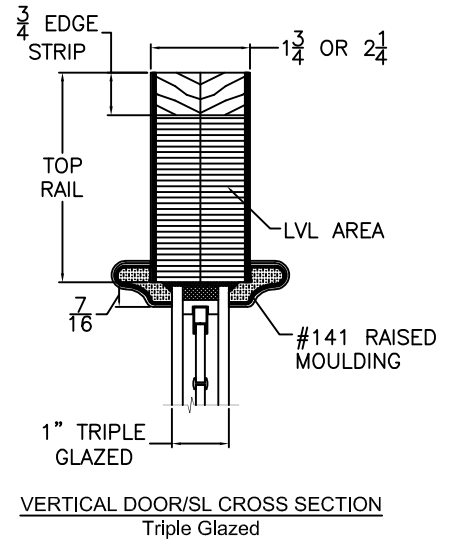
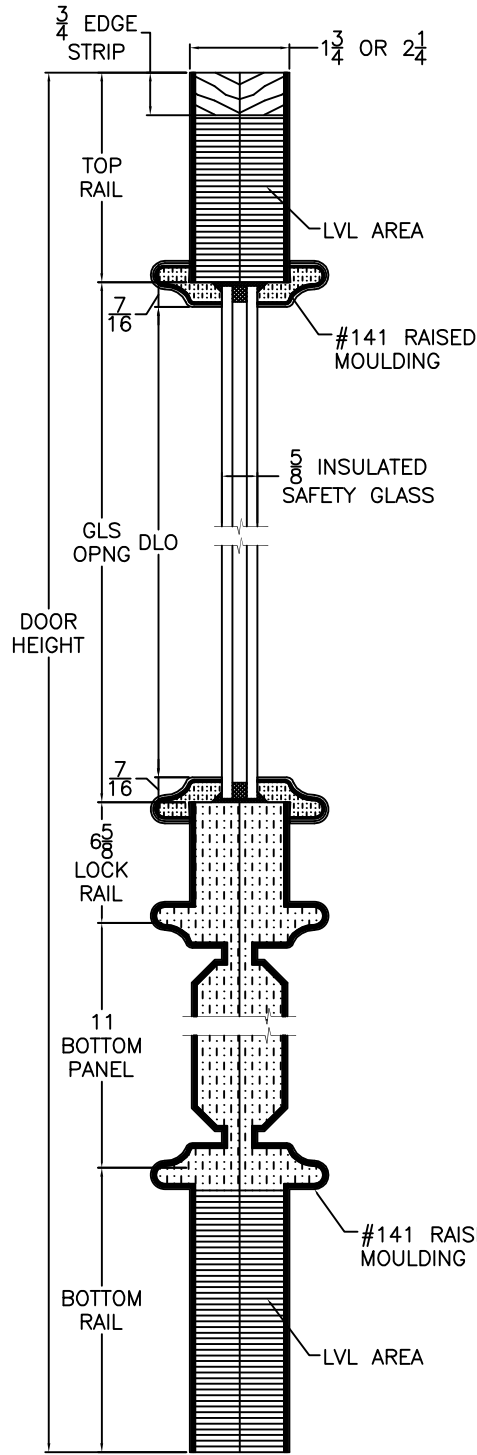
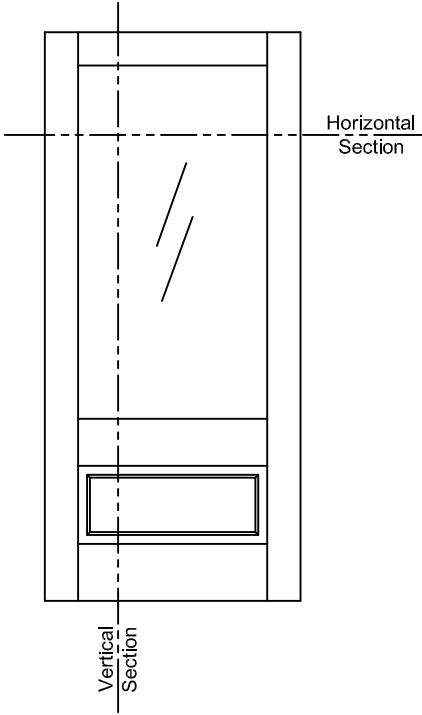
VERTICAL DOOR CROSS SECTION  
Insulated Glass



HORIZONTAL DOOR CROSS SECTION  
Insulated Glass

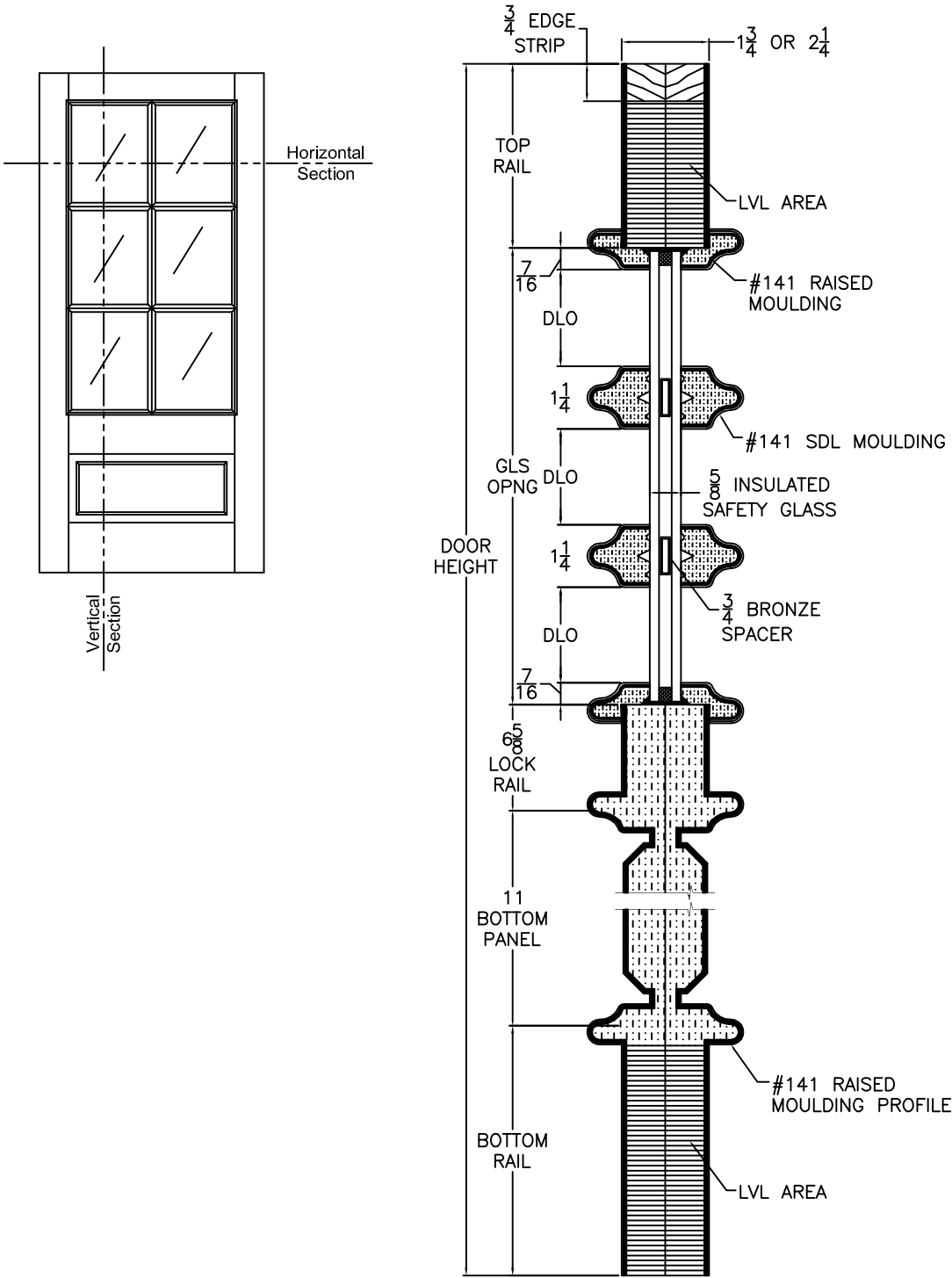
# A5501 CROSS SECTIONS

Scale: 3" = 1'-0"

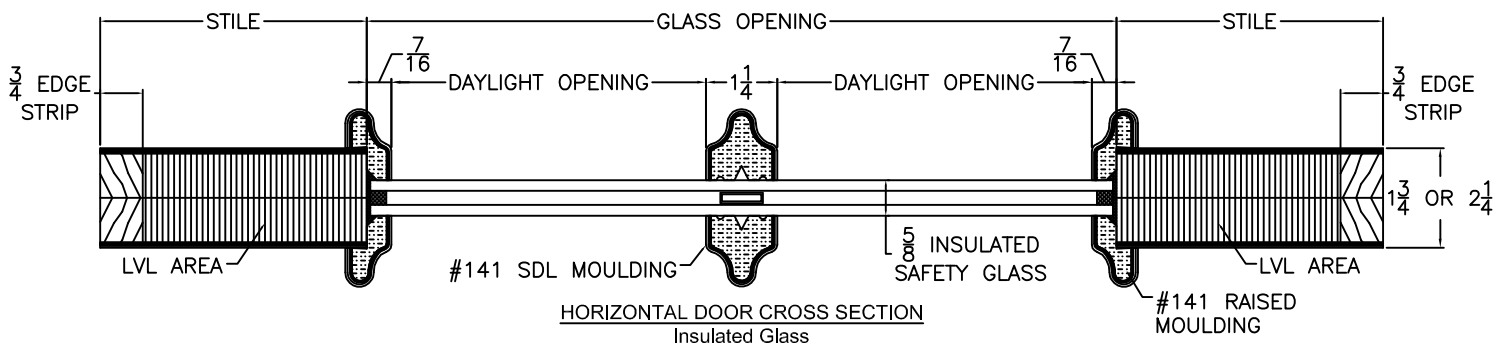


**A5506**  
**CROSS SECTIONS**

Scale: 3" = 1'-0"



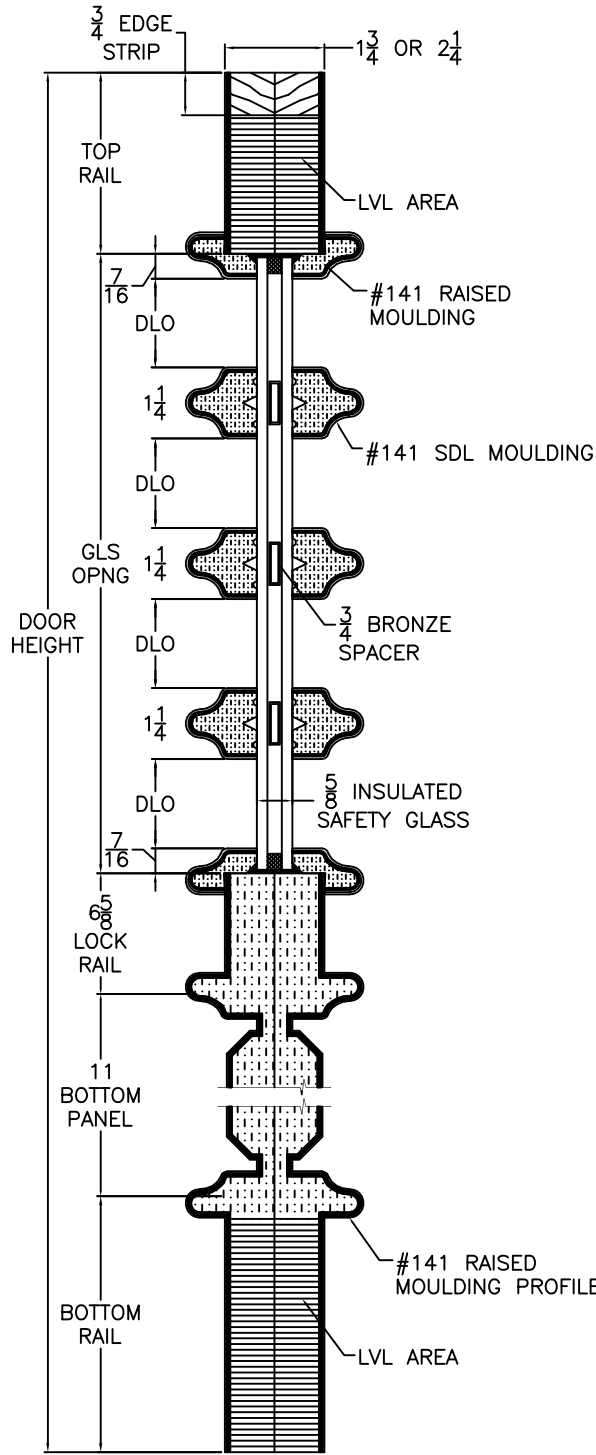
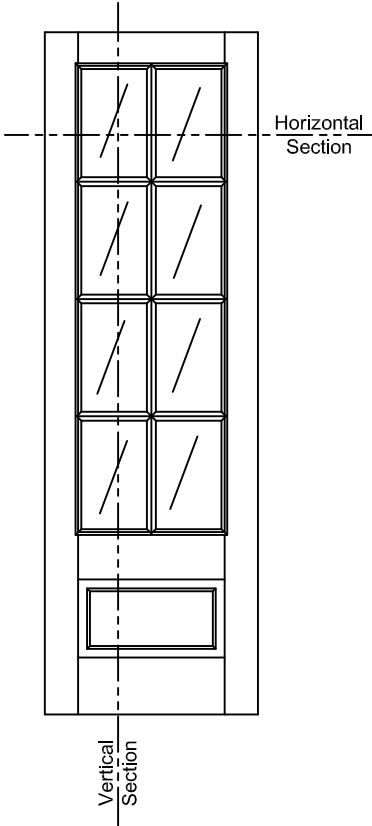
VERTICAL DOOR/SL CROSS SECTION  
Insulated Glass



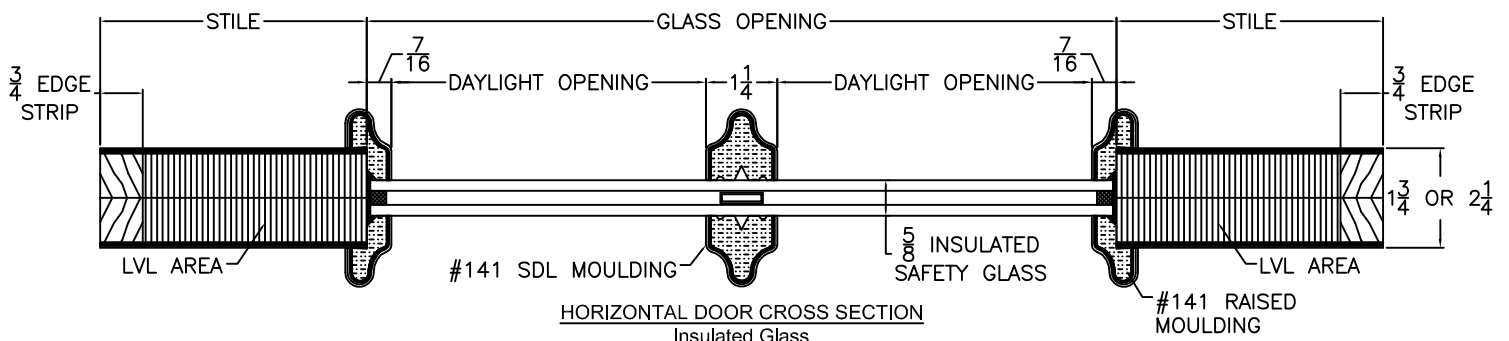
HORIZONTAL DOOR CROSS SECTION  
Insulated Glass

**A5508**  
**CROSS SECTIONS**

Scale: 3" = 1'-0"



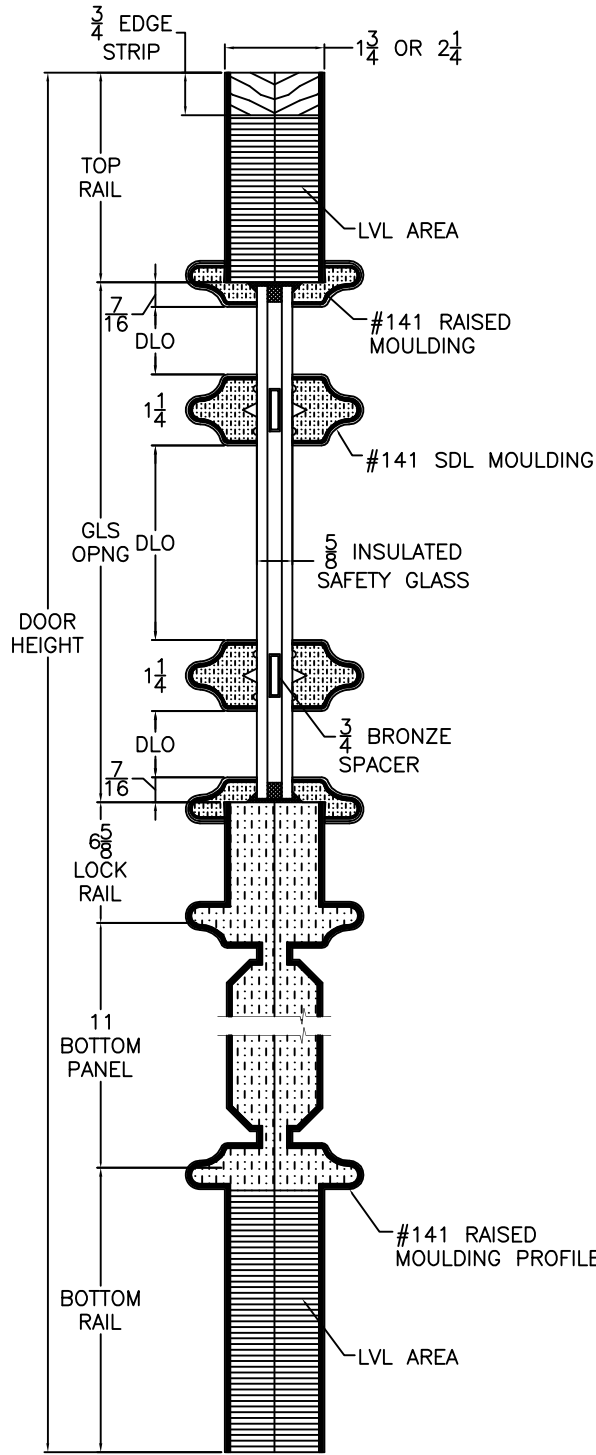
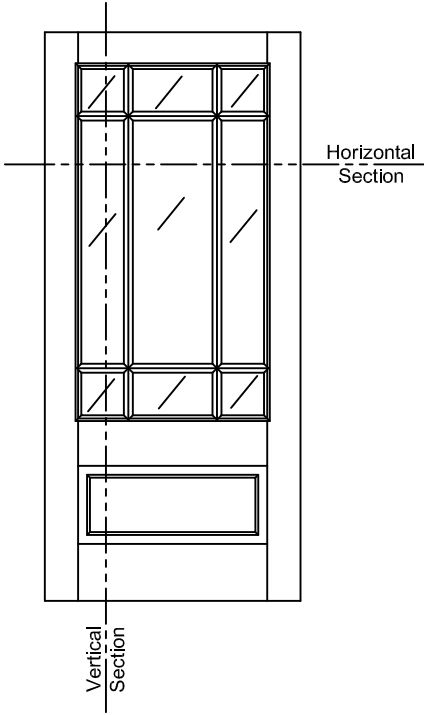
VERTICAL DOOR CROSS SECTION  
Insulated Glass



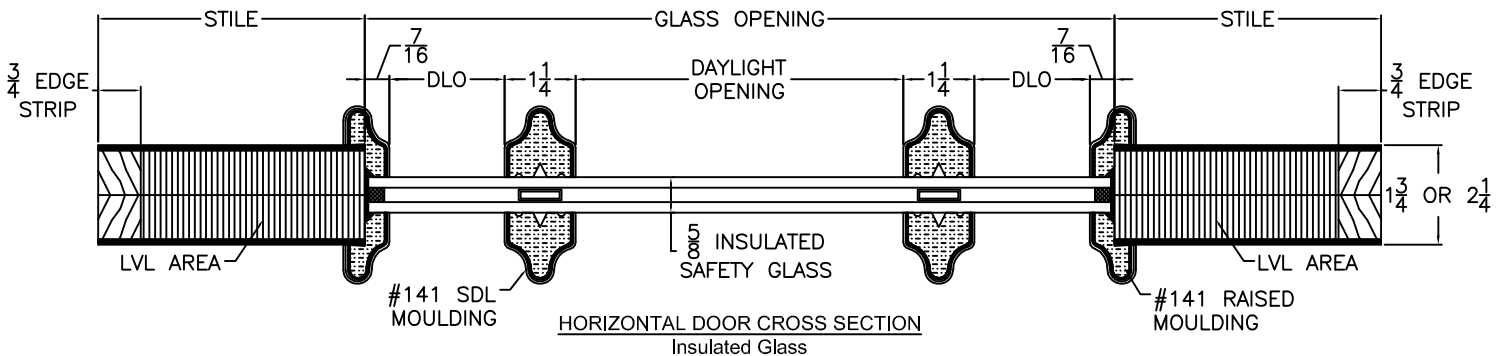
HORIZONTAL DOOR CROSS SECTION  
Insulated Glass

# A5509 CROSS SECTIONS

Scale: 3" = 1'-0"



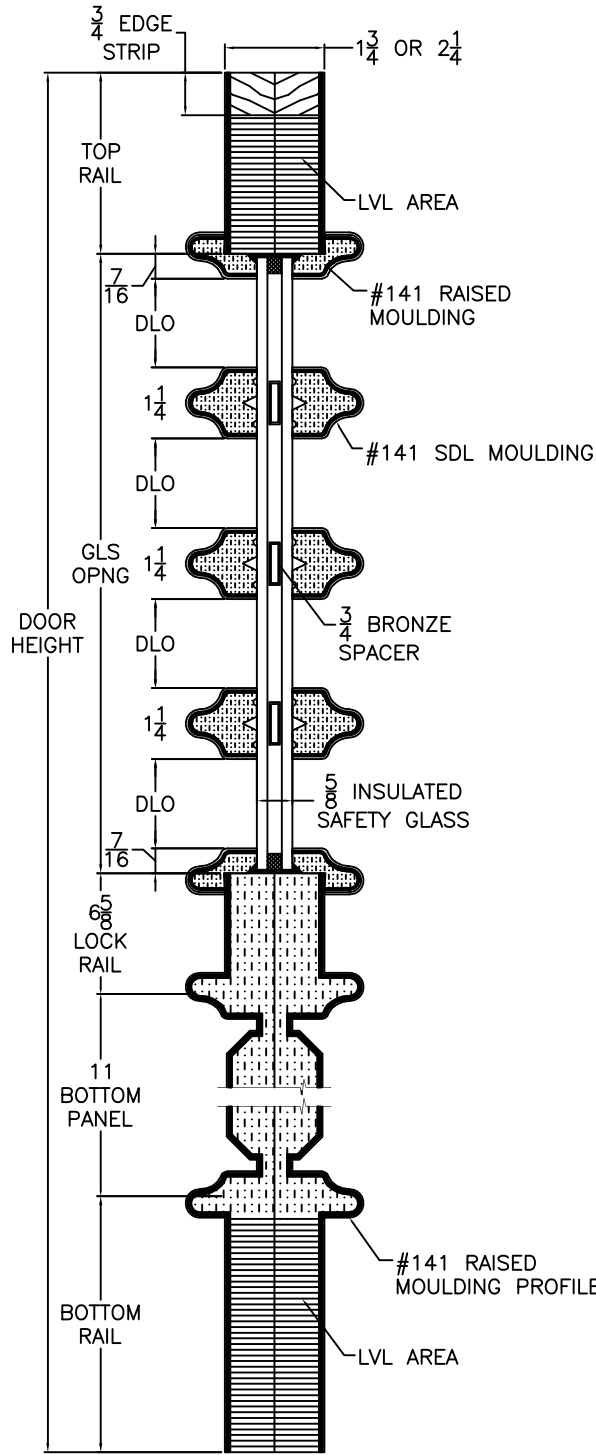
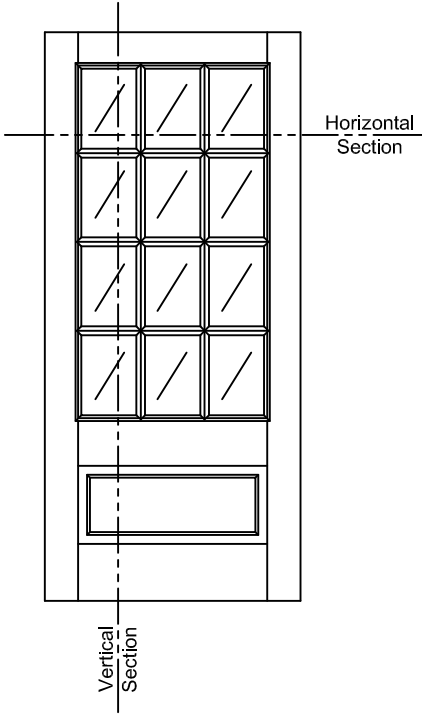
VERTICAL DOOR/SL CROSS SECTION  
Insulated Glass



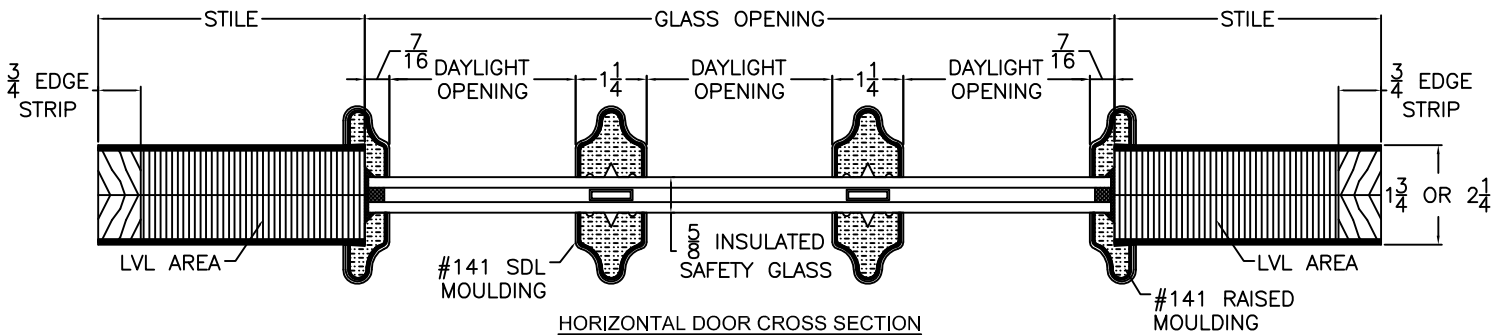


# A5512 CROSS SECTIONS

Scale: 3" = 1'-0"



VERTICAL DOOR/SL CROSS SECTION  
Insulated Glass



HORIZONTAL DOOR CROSS SECTION  
Insulated Glass