
TABLE OF CONTENTS

Specifications	1-2
Quick Spec Guide	1-3
Elevations/Sizes: 1/4" Scale	
Casement	1-4
Casement Picture	1-13
Casement Transom	1-15
Casement Radius	1-18
Grille Patterns	1-20
Section Details	1-21

PRODUCT SPECIFICATIONS

EXTERIOR FINISH

Exterior aluminum surfaces are low maintenance extruded aluminum frame and roll formed aluminum sash coated with a thermo set polyester finish that meets or exceeds the AAMA 2603 performance standards. Standard colors include Brilliant White, Desert Sand, Chestnut Bronze, French Vanilla, Hartford Green, and Black.

AURALAST® WOOD

AuraLast® wood is fundamentally different from wood resulting from traditional millwork preservation processes in that it uses a proprietary vacuum/pressure process to provide protection throughout the wood parts used to make windows and doors. AuraLast® wood is distinguished from wood using the current preservation methods by its unique ability to achieve greater penetration of the active ingredients into the wood parts, with a penetration of the treatment being a minimum of 92%.

INTERIOR FINISH

All interior surfaces are unfinished clear pine ready for on-site finishing or optional painted white or primed.

FRAME

Frame is assembled from select kiln dried pine using AuraLast® wood on all exterior parts. Exterior surface is covered with .055" extruded aluminum extrusion. Standard jamb width is 4-9/16" [116mm]. Reinforced nylon corner locks are injected with sealant to seal the jamb frame corners. Integral nailing fin is part of the extrusion on all four sides. Assembled frame includes all weather-stripping and installed hardware. Exterior of frame extrusion is grooved to accept mulling accessories.

SASH

The sash is 1-5/16" (33mm) thick, constructed using select kiln dried pine using AuraLast® wood. Corner joints are slot-and-tenoned, machine clamped for squareness and secured with metal fasteners. Exterior surfaces are covered with .024" roll formed aluminum cladding overlapped at the sash corners to shed water.

GLAZING

5/8" [16mm] thick sealed insulating glass is constructed from two panes of glass, utilizing a continuous roll formed stainless steel spacer with dual applications of sealant. The glass is mounted into the sash using a silicone-glazing compound. All insulating glass units comply with the performance requirements of IGCC in accordance with either ASTM E774 or E2190.

GLAZING OPTIONS

5/8" [16mm] insulating glass available in Low-E with Argon, Low-E 366, Neat, clear, obscure, tempered, and high altitude.

WEATHER-STRIPPING

A rigid vinyl leaf weather-stripping is applied to the top and sides of the sash. TPE bulb weather-stripping is used on the frame.

HARDWARE

Split-arm roto-operator with die-cast body and polycarbonate cover. Split-arm roto-operator opens to 86 degrees. Units that are 30" or wider and are 56" or taller utilize heavy duty hinges. Heavy duty hinges provide openings up to 80 degrees. Concealed hinge has a stainless steel track with a reinforced nylon shoe. Positive closure is assured with a concealed lock. Operator and sash lock colors include: Chestnut Bronze, White, and Desert Sand.

EXTERIOR INSECT SCREENS

Charcoal fiberglass screen cloth (18x16 mesh) set in painted roll formed aluminum frame fitted to the inside of the window with all necessary hardware, in White, Chestnut Bronze, and Desert Sand. Insect screens are intended to allow air and light in and to keep insects out. They are not intended to keep anyone or anything from falling through an open window. For safety screens or other security devices contact your local building supply retailer.

GRILLES

SDL (Simulated Divided Lites) - extruded aluminum muntins applied to the exterior of the insulating unit in 7/8" [22mm]. Clear wood interior muntin bars match the exterior muntin width and are permanently bonded to the interior of the glass.

Full Surround and KD Wood Grilles - Standard rectangular pattern, unfinished clear pine wood grilles in 7/8" [22mm].

GBG (Grilles between the Glass) - 5/8" [16mm] flat and 23/32" [18mm] contour, are mounted between the glass panes suspended within the air cavity.

EXTENSION JAMBS

Extension jambs using 9/16" [14mm] thick select kiln dried pine are factory applied to the interior on all four sides of the frame up to 7-9/16".

INSTALLATION

Installation per JELD-WEN Installation Method for Metal Clad Windows J11002 or J11013. See www.jeld-wen.com/resources for instructions or label attached to window.

PERFORMANCE

NFRC Certified - (Rated and labeled in accordance with NFRC)

WDMA Hallmark Certified

QUICK SPEC GUIDE

SPECIFICATION	STANDARD FEATURES	OPTIONAL FEATURES <i>Some options may require additional lead times. Consult your JELD-WEN Sales Representative.</i>
EXTERIOR FINISH (CLAD)	<ul style="list-style-type: none"> • Brilliant White • Desert Sand • Chestnut Bronze • French Vanilla • Hartford Green • Black 	
INTERIOR FINISH	<ul style="list-style-type: none"> • Natural 	<ul style="list-style-type: none"> • Painted White interior • Primed interior • White painted sash, Primed interior frame • White painted sash with Natural interior frame
SIZE (as single units)	<ul style="list-style-type: none"> • Width: 20, 24, 28, 30, 36 • Height: 24, 30, 36, 40, 44, 48, 54, 56, 60, 64, 66, 72 • Transom (single, twin and triple) height: 15, 24 • Picture unit width: 48, 60, 72 • Picture unit height: 30, 36, 40, 48, 54, 56, 60, 64, 66, 72 • Radius unit width: 20, 24, 28, 30, 36, 48, 56, 60, 72 	<ul style="list-style-type: none"> • Twin and Triple units available • Variety of Widths and Heights • Variety of Half Round Widths • Extended Circle Segments, Extended Quarter Segments, Extended Half Rounds, Extended Quarter Rounds
GLAZING	<ul style="list-style-type: none"> • Low-E Insulating glass 	<ul style="list-style-type: none"> • Clear • Low-E 366 • Neat Glass • Dual Low-E • Obscure • High Altitude <p style="text-align: right;"><i>All glass available tempered</i></p>
HARDWARE	<ul style="list-style-type: none"> • Folding Crank Handle • Concealed Locking System 	
HARDWARE COLOR	<ul style="list-style-type: none"> • Chestnut Bronze • White • Desert Sand 	
SCREENS	<ul style="list-style-type: none"> • Fiberglass 	<ul style="list-style-type: none"> • BetterVue™
SCREEN FRAME COLOR	<ul style="list-style-type: none"> • Color Match Clad to hardware 	
GRILLES		<ul style="list-style-type: none"> • 5/8" Flat and 23/32" Contour GBG • 7/8" FS or KD (not available pre-finished) • 7/8" SDL with Shadow Bar • 7/8" SDL with no Shadow Bar
EXTERIOR TRIMS	<ul style="list-style-type: none"> • Integral Nailing Fin 	<ul style="list-style-type: none"> • No nail fin
JAMB	<ul style="list-style-type: none"> • 4-9/16" 	<ul style="list-style-type: none"> • All sizes 2-1/2" through 7-9/16"

1-WIDE UNITS

UNIT SIZE	22 3/4" (578)	26 3/4" (679)	30 3/4" (781)	32 3/4" (832)	38 3/4" (984)
ROUGH OPENING	20 3/4" (527)	24 3/4" (629)	28 3/4" (730)	30 3/4" (781)	36 3/4" (933)
FRAME SIZE	20" (508)	24" (610)	28" (711)	30" (762)	36" (914)
DAYLIGHT OPENING	15 9/16" (395)	19 9/16" (497)	23 9/16" (598)	25 9/16" (649)	31 9/16" (802)
62 3/4" (1594) 60 3/4" (1543) 60" (1524) 55 9/16" (1411)					
66 3/4" (1695) 64 3/4" (1645) 64" (1626) 59 9/16" (1513)					
68 3/4" (1746) 66 3/4" (1695) 66" (1676) 61 9/16" (1564)					
74 3/4" (1899) 72 3/4" (1848) 72" (1829) 67 9/16" (1716)					

ELEVATION SYMBOL LEGEND:

VALUES IN () ARE IN MILLIMETER CONVERSIONS.

##* NUMBER INDICATES DESIGN PRESSURE (DP) RATING WITH

OPTIONAL DESIGN PRESSURE (DP) RATING.

** INDICATES DP 50 UPGRADE AVAILABLE ONLY ON NATURAL AND PRIMED INTERIOR (DP 40 UPGRADE ON PAINTED WHITE FRAME WITH VINYL WRAPPED SASH).

E UNIT MEETS EGRESS REQUIREMENTS FOR IRC CODE. STATE AND LOCAL EGRESS CODES MAY DIFFER. ALWAYS REFER TO LOCAL BUILDING CODES FOR COMPLETE REQUIREMENTS. CHECK WITH LOCAL OFFICIALS TO ENSURE COMPLIANCE BEFORE INSTALLING THE UNIT.

SCALE: 1/4" = 1'

2-WIDE UNITS

UNIT SIZE
ROUGH OPENING
FRAME SIZE
DAYLIGHT OPENING

42 3/4" (1086)
40 3/4" (1035)
40" (1016)
15 9/16" (395)

50 3/4" (1289)
48 3/4" (1238)
48" (1219)
19 9/16" (497)

58 3/4" (1492)
56 3/4" (1441)
56" (1422)
23 9/16" (598)

62 3/4" (1594)
60 3/4" (1543)
60" (1524)
25 9/16" (649)

38 3/4" (984) 36 3/4" (933) 36" (914) 31 9/16" (802)				
42 3/4" (1086) 40 3/4" (1035) 40" (1016) 35 9/16" (903)				
46 3/4" (1187) 44 3/4" (1137) 44" (1118) 39 9/16" (1005)				
50 3/4" (1289) 48 3/4" (1238) 48" (1219) 43 9/16" (1106)				
56 3/4" (1441) 54 3/4" (1391) 54" (1372) 49 9/16" (1258)				
58 3/4" (1492) 56 3/4" (1441) 56" (1422) 51 9/16" (1310)				
62 3/4" (1594) 60 3/4" (1543) 60" (1524) 55 9/16" (1411)				

ELEVATION SYMBOL LEGEND:

VALUES IN () ARE IN MILLIMETER CONVERSIONS.
E UNIT MEETS EGRESS REQUIREMENTS FOR IRC CODE. STATE AND LOCAL EGRESS CODES MAY DIFFER. ALWAYS REFER TO LOCAL BUILDING CODES FOR COMPLETE REQUIREMENTS.
CHECK WITH LOCAL OFFICIALS TO ENSURE COMPLIANCE BEFORE INSTALLING THE UNIT.

SCALE: 1/4" = 1'

2-WIDE UNITS

UNIT SIZE
ROUGH OPENING
FRAME SIZE
DAYLIGHT OPENING

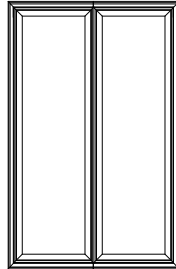
42 3/4"(1086)
 40 3/4"(1035)
 40"(1016)
 15 9/16"(395)

50 3/4"(1289)
 48 3/4"(1238)
 48"(1219)
 19 9/16"(497)

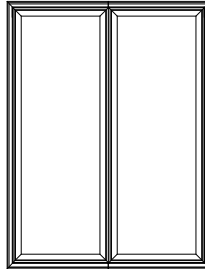
58 3/4"(1492)
 56 3/4"(1441)
 56"(1422)
 23 9/16"(598)

62 3/4"(1594)
 60 3/4"(1543)
 60"(1524)
 25 9/16"(649)

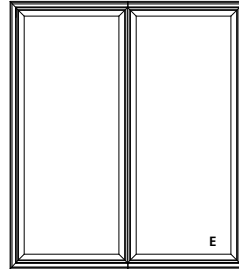
66 3/4"(1695)
 64 3/4"(1645)
 64"(1626)
 59 9/16"(1513)



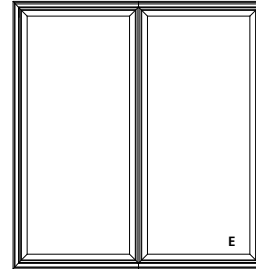
BCC2064-2



BCC2464-2

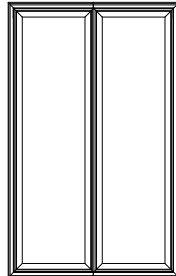


BCC2864-2

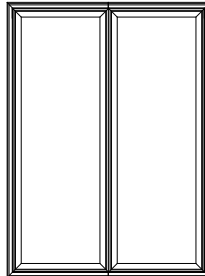


BCC3064-2

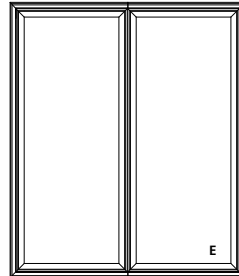
68 3/4"(1746)
 66 3/4"(1695)
 66"(1676)
 61 9/16"(1564)



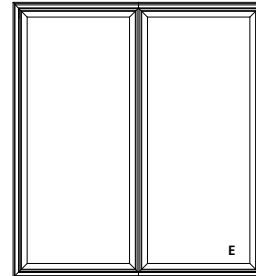
BCC2066-2



BCC2466-2

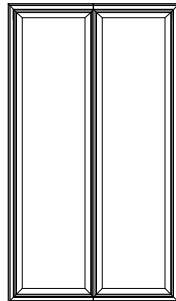


BCC2866-2

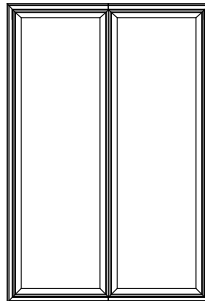


BCC3066-2

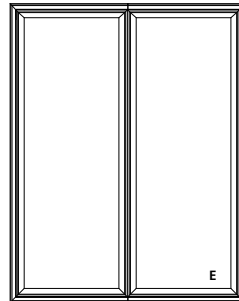
74 3/4"(1899)
 72 3/4"(1848)
 72"(1829)
 67 9/16"(1716)



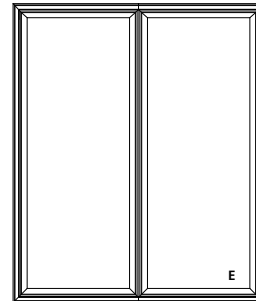
BCC2072-2



BCC2472-2



BCC2872-2



BCC3072-2

ELEVATION SYMBOL LEGEND:

VALUES IN () ARE IN MILLIMETER CONVERSIONS.

E UNIT MEETS EGRESS REQUIREMENTS FOR IRC CODE. STATE AND LOCAL EGRESS CODES MAY DIFFER. ALWAYS REFER TO LOCAL BUILDING CODES FOR COMPLETE REQUIREMENTS. CHECK WITH LOCAL OFFICIALS TO ENSURE COMPLIANCE BEFORE INSTALLING THE UNIT.

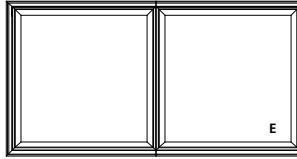
SCALE: 1/4" = 1'

2-WIDE UNITS

UNIT SIZE
ROUGH OPENING
FRAME SIZE
DAYLIGHT OPENING

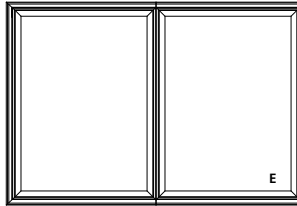
74 3/4" (1899)
72 3/4" (1848)
72" (1829)
31 9/16" (802)

38 3/4" (984)
36 3/4" (933)
36" (914)
31 9/16" (802)



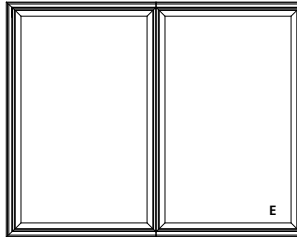
BCC3636-2

50 3/4" (1289)
48 3/4" (1238)
48" (1219)
43 9/16" (1106)



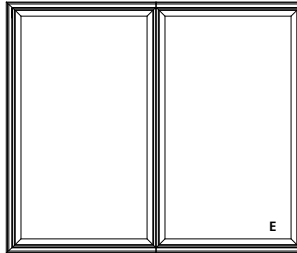
BCC3648-2

58 3/4" (1492)
56 3/4" (1441)
56" (1422)
51 9/16" (1310)



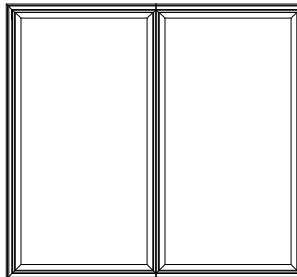
BCC3656-2

62 3/4" (1594)
60 3/4" (1543)
60" (1524)
55 9/16" (1411)



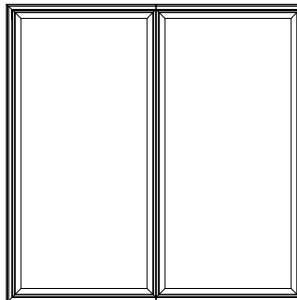
BCC3660-2

68 3/4" (1746)
66 3/4" (1695)
66" (1676)
61 9/16" (1564)



BCC3666-2

74 3/4" (1899)
72 3/4" (1848)
72" (1829)
67 9/16" (1716)



BCC3672-2

ELEVATION SYMBOL LEGEND:

VALUES IN () ARE IN MILLIMETER CONVERSIONS.

E UNIT MEETS EGRESS REQUIREMENTS FOR IRC CODE. STATE AND LOCAL EGRESS CODES MAY DIFFER. ALWAYS REFER TO LOCAL BUILDING CODES FOR COMPLETE REQUIREMENTS. CHECK WITH LOCAL OFFICIALS TO ENSURE COMPLIANCE BEFORE INSTALLING THE UNIT.

SCALE: 1/4" = 1'

3-WIDE UNITS

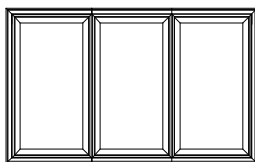
UNIT SIZE
ROUGH OPENING
FRAME SIZE
DAYLIGHT OPENING

62 3/4" (1594)
60 3/4" (1543)
60" (1524)
55 9/16" (395)

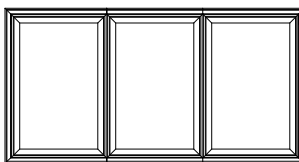
74 3/4" (1899)
72 3/4" (1848)
72" (1829)
69 9/16" (497)

86 3/4" (2203)
84 3/4" (2153)
84" (2134)
79 9/16" (598)

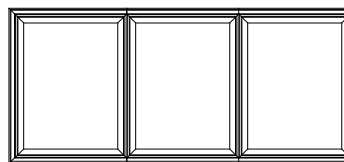
38 3/4" (984)
36 3/4" (933)
36" (914)
31 9/16" (802)



BCC2036-3

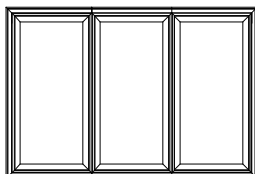


BCC2436-3

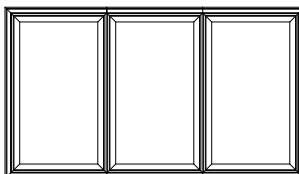


BCC2836-3

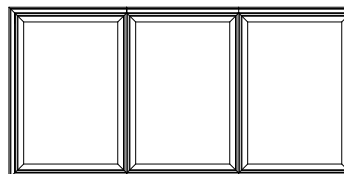
42 3/4" (1086)
40 3/4" (1035)
40" (1016)
35 9/16" (903)



BCC2040-3

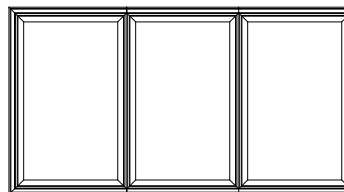


BCC2440-3



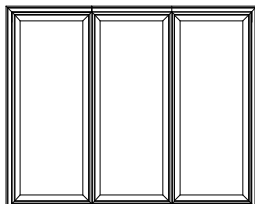
BCC2840-3

46 3/4" (1187)
44 3/4" (1137)
44" (1118)
39 9/16" (1005)

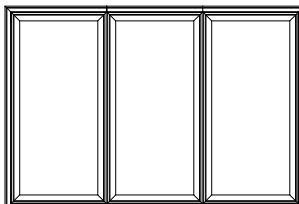


BCC2844-3

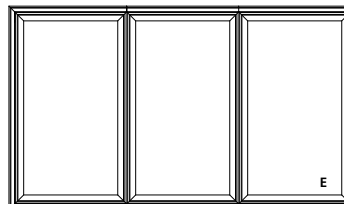
50 3/4" (1289)
48 3/4" (1238)
48" (1219)
43 9/16" (1106)



BCC2048-3

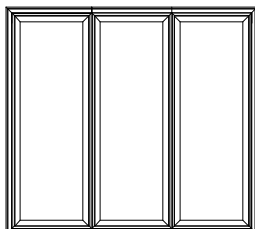


BCC2448-3

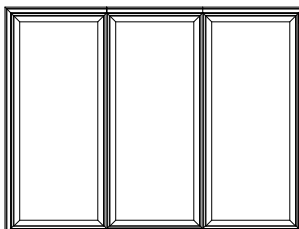


BCC2848-3

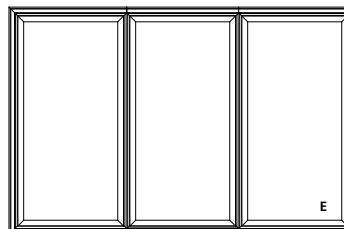
56 3/4" (1441)
54 3/4" (1391)
54" (1372)
49 9/16" (1258)



BCC2054-3

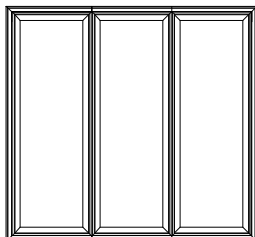


BCC2454-3

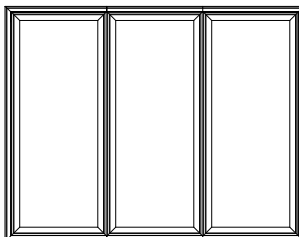


BCC2854-3

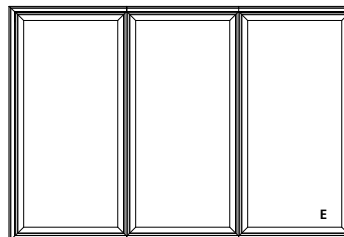
58 3/4" (1492)
56 3/4" (1441)
56" (1422)
51 9/16" (1310)



BCC2056-3

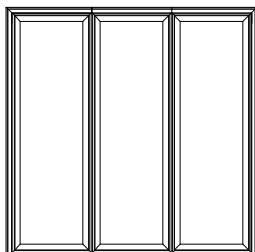


BCC2456-3

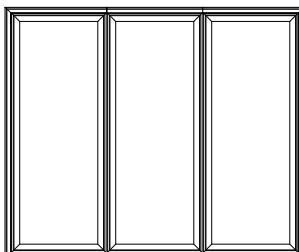


BCC2856-3

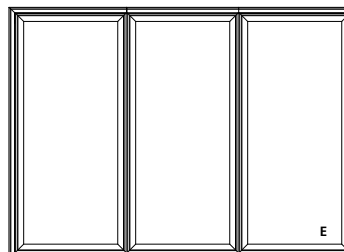
62 3/4" (1594)
60 3/4" (1543)
60" (1524)
55 9/16" (1411)



BCC2060-3



BCC2460-3



BCC2860-3

ELEVATION SYMBOL LEGEND:

VALUES IN () ARE IN MILLIMETER CONVERSIONS.

E UNIT MEETS EGRESS REQUIREMENTS FOR IRC CODE. STATE AND LOCAL EGRESS CODES MAY DIFFER. ALWAYS REFER TO LOCAL BUILDING CODES FOR COMPLETE REQUIREMENTS. CHECK WITH LOCAL OFFICIALS TO ENSURE COMPLIANCE BEFORE INSTALLING THE UNIT.

SCALE: 1/4" = 1'

3-WIDE UNITS

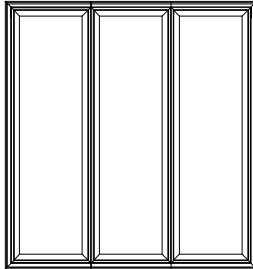
UNIT SIZE
ROUGH OPENING
FRAME SIZE
DAYLIGHT OPENING

62 3/4" (1594)
60 3/4" (1543)
60" (1524)
15 9/16" (395)

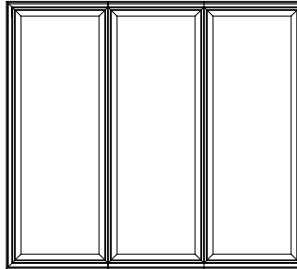
74 3/4" (1899)
72 3/4" (1848)
72" (1829)
19 9/16" (497)

86 3/4" (2203)
84 3/4" (2153)
84" (2134)
23 9/16" (598)

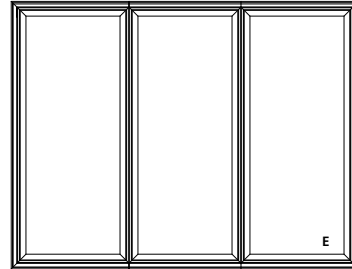
66 3/4" (1695)
64 3/4" (1645)
64" (1626)
59 9/16" (1513)



BCC2064-3

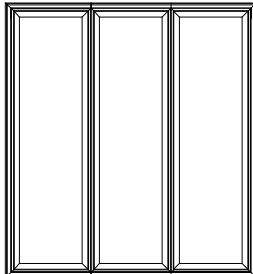


BCC2464-3

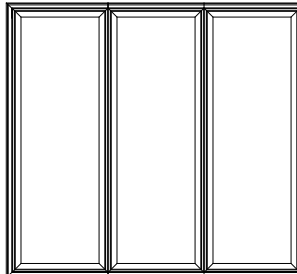


BCC2864-3

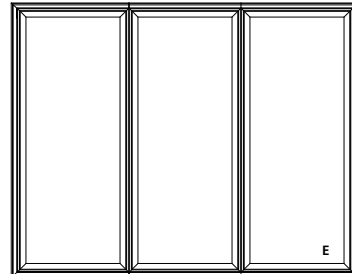
68 3/4" (1746)
66 3/4" (1695)
66" (1676)
61 9/16" (1564)



BCC2066-3

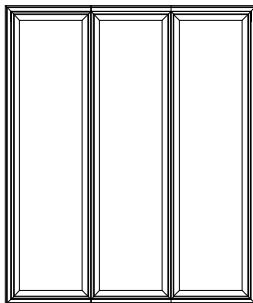


BCC2466-3

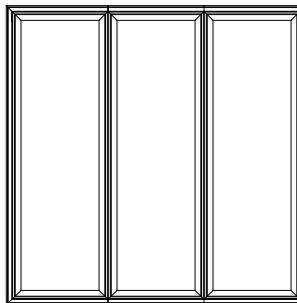


BCC2866-3

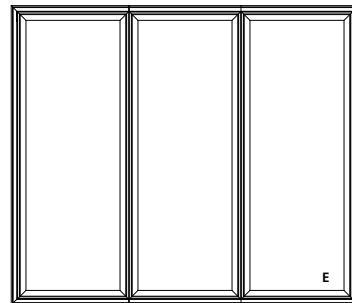
74 3/4" (1899)
72 3/4" (1848)
72" (1829)
67 9/16" (1716)



BCC2072-3



BCC2472-3



BCC2872-3

ELEVATION SYMBOL LEGEND:

VALUES IN () ARE IN MILLIMETER CONVERSIONS.

E UNIT MEETS EGRESS REQUIREMENTS FOR IRC CODE. STATE AND LOCAL EGRESS CODES MAY DIFFER. ALWAYS REFER TO LOCAL BUILDING CODES FOR COMPLETE REQUIREMENTS. CHECK WITH LOCAL OFFICIALS TO ENSURE COMPLIANCE BEFORE INSTALLING THE UNIT.

SCALE: 1/4" = 1'

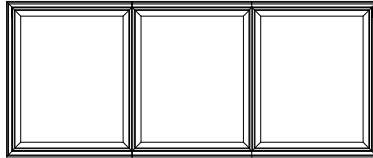
3-WIDE UNITS

UNIT SIZE
ROUGH OPENING
FRAME SIZE
DAYLIGHT OPENING

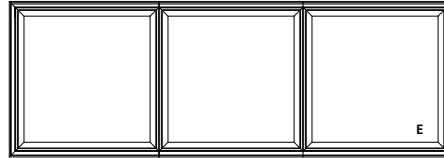
92 3/4" (2356)
90 3/4" (2305)
90" (2286)
25 9/16" (649)

110 3/4" (2813)
108 3/4" (2762)
108" (2743)
31 9/16" (802)

38 3/4" (984)
36 3/4" (933)
36" (914)
31 9/16" (802)

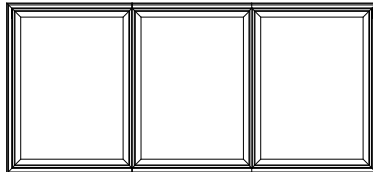


BCC3036-3



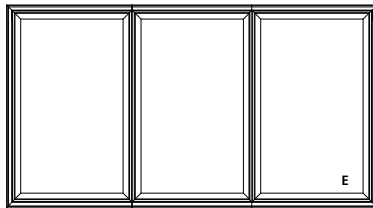
BCC3636-3

42 3/4" (1086)
40 3/4" (1035)
40" (1016)
35 9/16" (903)

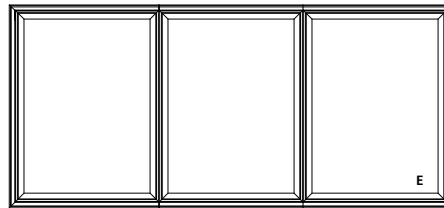


BCC3040-3

50 3/4" (1289)
48 3/4" (1238)
48" (1219)
43 9/16" (1106)

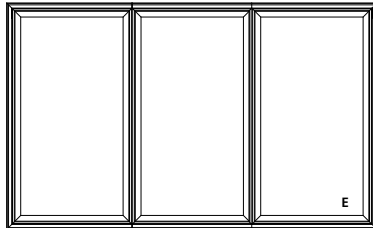


BCC3048-3

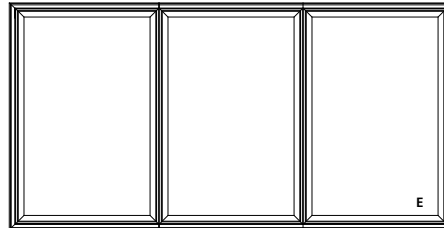


BCC3648-3

56 3/4" (1441)
54 3/4" (1391)
54" (1372)
49 9/16" (1258)

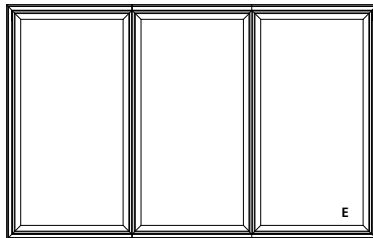


BCC3054-3



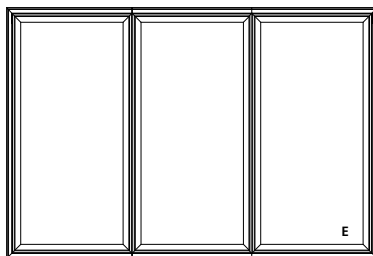
BCC3654-3

58 3/4" (1492)
56 3/4" (1441)
56" (1422)
51 9/16" (1310)

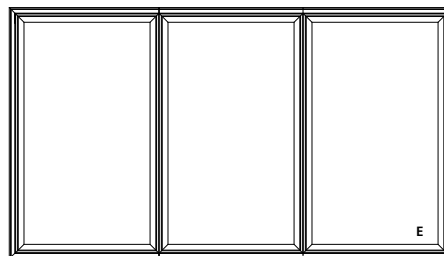


BCC3056-3

62 3/4" (1594)
60 3/4" (1543)
60" (1524)
55 9/16" (1411)



BCC3060-3



BCC3660-3

ELEVATION SYMBOL LEGEND:

VALUES IN () ARE IN MILLIMETER CONVERSIONS.

E UNIT MEETS EGRESS REQUIREMENTS FOR IRC CODE. STATE AND LOCAL EGRESS CODES MAY DIFFER. ALWAYS REFER TO LOCAL BUILDING CODES FOR COMPLETE REQUIREMENTS. CHECK WITH LOCAL OFFICIALS TO ENSURE COMPLIANCE BEFORE INSTALLING THE UNIT.

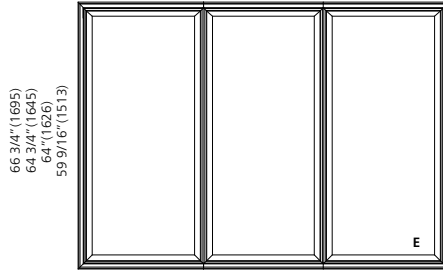
SCALE: 1/4" = 1'

3-WIDE UNITS

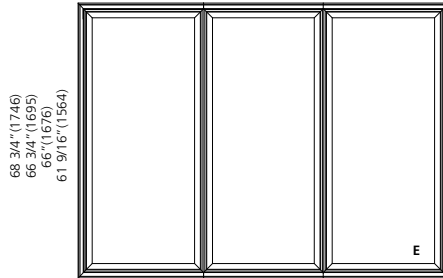
UNIT SIZE
ROUGH OPENING
FRAME SIZE
DAYLIGHT OPENING

92 3/4" (2356)
90 3/4" (2305)
90" (2286)
25 9/16" (649)

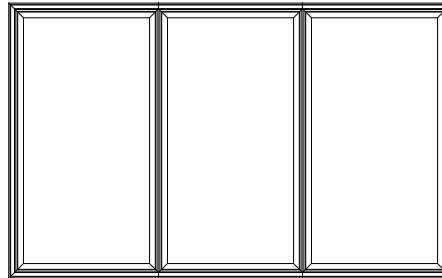
110 3/4" (2813)
108 3/4" (2762)
108" (2743)
31 9/16" (802)



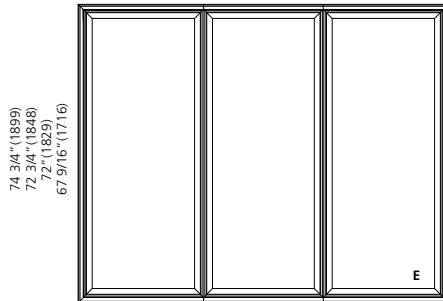
BCC3064-3



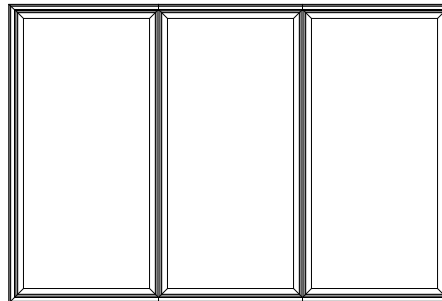
BCC3066-3



BCC3666-3



BCC3072-3



BCC3672-3

ELEVATION SYMBOL LEGEND:


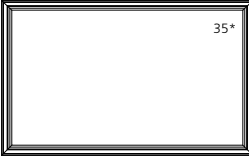






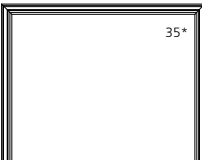

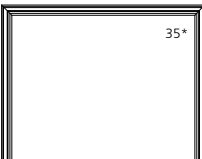

VALUES IN () ARE IN MILLIMETER CONVERSIONS.

E UNIT MEETS EGRESS REQUIREMENTS FOR IRC CODE. STATE AND LOCAL EGRESS CODES MAY DIFFER. ALWAYS REFER TO LOCAL BUILDING CODES FOR COMPLETE REQUIREMENTS. CHECK WITH LOCAL OFFICIALS TO ENSURE COMPLIANCE BEFORE INSTALLING THE UNIT.

SCALE: 1/4" = 1'

PICTURE UNITS

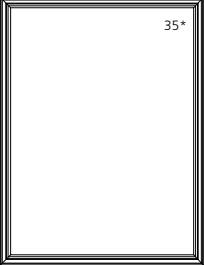
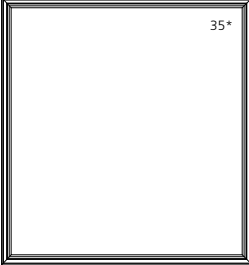
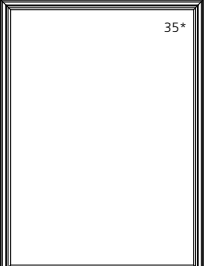
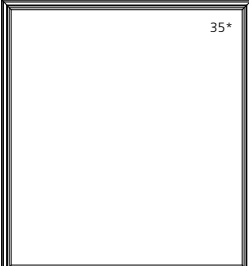

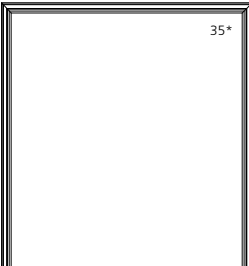
UNIT SIZE
ROUGH OPENING
FRAME SIZE
DAYLIGHT OPENING

	50 3/4" (1289) 48 3/4" (1238) 48" (1219) 45 3/4" (1162)	62 3/4" (1594) 60 3/4" (1543) 60" (1524) 57 3/4" (1467)
38 3/4" (984) 36 3/4" (933) 36" (914) 33 3/4" (857)	 BCCP4836	 BCCP6036
42 3/4" (1086) 40 3/4" (1035) 40" (1016) 37 3/4" (959)	 BCCP4840	 BCCP6040
50 3/4" (1289) 48 3/4" (1238) 48" (1219) 45 3/4" (1162)	 BCCP4848	 BCCP6048
56 3/4" (1441) 54 3/4" (1391) 54" (1372) 51 3/4" (1314)	 BCCP4854	 BCCP6054
58 3/4" (1492) 56 3/4" (1441) 56" (1422) 53 3/4" (1365)	 BCCP4856	 BCCP6056
62 3/4" (1594) 60 3/4" (1543) 60" (1524) 57 3/4" (1467)	 BCCP4860	 BCCP6060

ELEVATION SYMBOL LEGEND:
VALUES IN () ARE IN MILLIMETER CONVERSIONS.
NUMBER INDICATES DESIGN PRESSURE (DP) RATING WITH STANDARD GLAZING.

SCALE: 1/4" = 1'


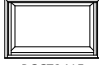
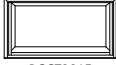
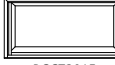
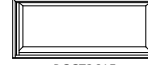
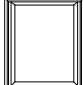
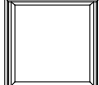



PICTURE UNITS

	UNIT SIZE	50 3/4"(1289)	62 3/4"(1594)	
	ROUGH OPENING	48 3/4"(1238)	60 3/4"(1543)	
	FRAME SIZE	48"(1219)	60"(1524)	
	DAYLIGHT OPENING	45 3/4"(1162)	57 3/4"(1467)	
66 3/4"(1695) 64 3/4"(1645) 61 3/4"(1568)		35*		35*
	BCCP4864		BCCP6064	
	68 3/4"(1746) 66 3/4"(1695) 63 3/4"(1619)		35*	
BCCP4866			BCCP6066	
74 3/4"(1899) 72 3/4"(1848) 69 3/4"(1772)			35*	
	BCCP4872		BCCP6072	

ELEVATION SYMBOL LEGEND:
VALUES IN () ARE IN MILLIMETER CONVERSIONS.
##* NUMBER INDICATES DESIGN PRESSURE (DP) RATING WITH STANDARD GLAZING.

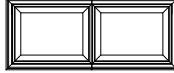
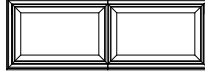
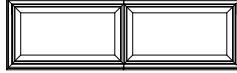
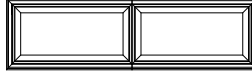
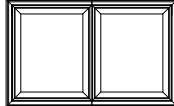
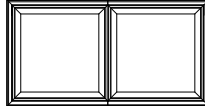
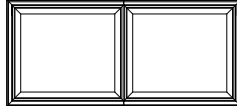
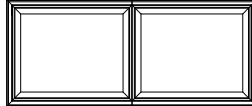
SCALE: 1/4" = 1'

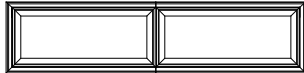
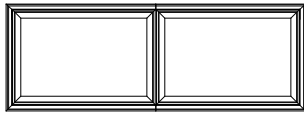
TRANSOM UNITS - 1-WIDE

	22 3/4" (578)	26 3/4" (679)	30 3/4" (781)	32 3/4" (832)	38 3/4" (984)
UNIT SIZE	22 3/4" (578)	26 3/4" (679)	30 3/4" (781)	32 3/4" (832)	38 3/4" (984)
ROUGH OPENING	20 3/4" (527)	24 3/4" (629)	28 3/4" (730)	30 3/4" (781)	36 3/4" (933)
FRAME SIZE	20" (508)	24" (610)	28" (711)	30" (762)	36" (914)
DAYLIGHT OPENING	15 9/16" (395)	19 9/16" (497)	23 9/16" (598)	25 9/16" (649)	31 9/16" (802)
17 3/4" (451)					
15 3/4" (400)	BCCT2015	BCCT2415	BCCT2815	BCCT3015	BCCT3615
15" (381)					
10 9/16" (268)	BCCT2024	BCCT2424	BCCT2824	BCCT3024	BCCT3624
26 3/4" (679)					
24 3/4" (629)					
24" (610)					
19 9/16" (496)					

ELEVATION SYMBOL LEGEND:
VALUES IN () ARE IN MILLIMETER CONVERSIONS.

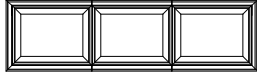


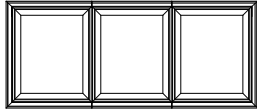
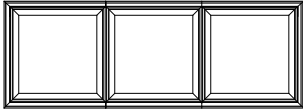
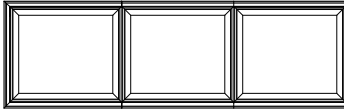


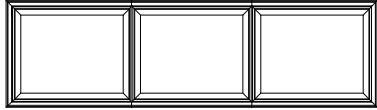

TRANSOM UNITS - 2-WIDE

UNIT SIZE	42 3/4" (1086)	50 3/4" (1289)	58 3/4" (1492)	62 3/4" (1594)
ROUGH OPENING	40 3/4" (1035)	48 3/4" (1238)	56 3/4" (1441)	60 3/4" (1543)
FRAME SIZE	40" (1016)	48" (1219)	56" (1422)	60" (1524)
DAYLIGHT OPENING	15 9/16" (395)	19 9/16" (497)	23 9/16" (598)	25 9/16" (649)
17 3/4" (451)				
15 3/4" (400)	BCCT2015-2	BCCT2415-2	BCCT2815-2	BCCT3015-2
15" (381)				
24" (610)	BCCT2024-2	BCCT2424-2	BCCT2824-2	BCCT3024-2
19 9/16" (497)				

UNIT SIZE	74 3/4" (1899)
ROUGH OPENING	72 3/4" (1848)
FRAME SIZE	72" (1829)
DAYLIGHT OPENING	31 9/16" (802)
17 3/4" (451)	
15 3/4" (400)	BCCT3615-2
15" (381)	
24" (610)	BCCT3624-2
19 9/16" (497)	





ELEVATION SYMBOL LEGEND:
 VALUES IN () ARE IN MILLIMETER CONVERSIONS.

TRANSOM UNITS - 3-WIDE

UNIT SIZE	62 3/4" (1594)	74 3/4" (1899)	86 3/4" (2203)
ROUGH OPENING	60 3/4" (1543)	72 3/4" (1848)	84 3/4" (2153)
FRAME SIZE	60" (1524)	72" (1829)	84" (2134)
DAYLIGHT OPENING	15 9/16" (395)	19 9/16" (497)	23 9/16" (598)
17 3/4" (451)			
15 3/4" (400)	BCCT2015-3	BCCT2415-3	BCCT2815-3
15" (381)			
10 9/16" (268)			
26 3/4" (679)			
24 3/4" (629)	BCCT2024-3	BCCT2424-3	BCCT2824-3
24" (610)			
19 9/16" (497)			
UNIT SIZE	92 3/4" (2356)	110 3/4" (2813)	
ROUGH OPENING	90 3/4" (2305)	108 3/4" (2762)	
FRAME SIZE	90" (2286)	108" (2743)	
DAYLIGHT OPENING	25 9/16" (649)	31 9/16" (802)	
17 3/4" (451)			
15 3/4" (400)	BCCT3015-3	BCCT3615-3	
15" (381)			
10 9/16" (268)			
26 3/4" (679)			
24 3/4" (629)	BCCT3024-3	BCCT3624-3	
24" (610)			
19 9/16" (497)			

ELEVATION SYMBOL LEGEND:
VALUES IN () ARE IN MILLIMETER CONVERSIONS.

RADIUS UNITS

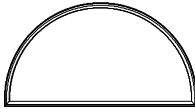
UNIT SIZE	26 3/4" (679)	30 3/4" (781)	32 3/4" (832)	38 3/4" (984)
ROUGH OPENING	24 3/4" (629)	28 3/4" (730)	30 3/4" (781)	36 3/4" (933)
FRAME SIZE	24" (610)	28" (711)	30" (762)	36" (914)
DAYLIGHT OPENING	21 15/32" (545)	25 15/32" (647)	27 15/32" (698)	33 15/32" (850)
15 7/32" (387)				
14 11/16" (373)				
13 15/16" (354)				
11 3/8" (289)				
				
BCCHR24				
17 7/32" (437)				
16 11/16" (424)				
15 15/16" (405)				
13 3/8" (340)				
				
BCCHR28				
18 7/32" (463)				
17 11/16" (449)				
16 15/16" (430)				
14 3/8" (365)				
				
BCCHR30				
21 7/32" (539)				
20 11/16" (525)				
19 15/16" (506)				
17 3/8" (441)				
				
BCCHR36				

ELEVATION SYMBOL LEGEND:
VALUES IN () ARE IN MILLIMETER CONVERSIONS.

TWIN RADIUS UNITS

UNIT SIZE 50 3/4"(1289)
ROUGH OPENING 48 3/4"(1238)
FRAME SIZE 48"(1219)
DAYLIGHT OPENING 45 15/32"(1155)

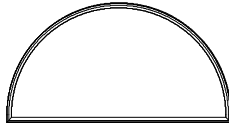
27 7/32"(691)
26 11/16"(678)
25 15/16"(659)
23 3/8"(594)



BCCHR48

58 3/4"(1492)
56 3/4"(1441)
56"(1422)
53 15/32"(1358)

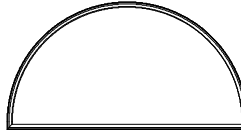
31 7/32"(793)
30 11/16"(779)
29 15/16"(760)
27 3/8"(695)



BCCHR56

62 3/4"(1594)
60 3/4"(1543)
60"(1524)
57 15/32"(1460)

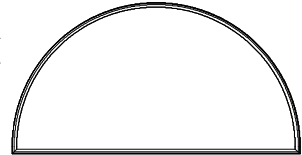
33 7/32"(844)
32 11/16"(830)
31 15/16"(811)
29 3/8"(746)



BCCHR60

74 3/4"(1899)
72 3/4"(1848)
72"(1829)
69 15/32"(1764)

39 7/32"(996)
38 11/16"(983)
37 15/16"(964)
35 3/8"(899)

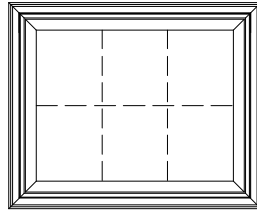


BCCHR72

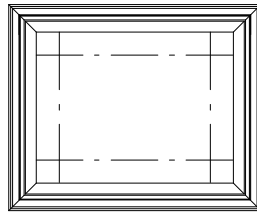
ELEVATION SYMBOL LEGEND:
VALUES IN () ARE IN MILLIMETER CONVERSIONS.

SCALE: 1/4" = 1'

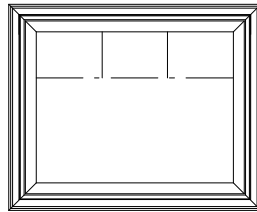
GRILLE PATTERNS



STANDARD

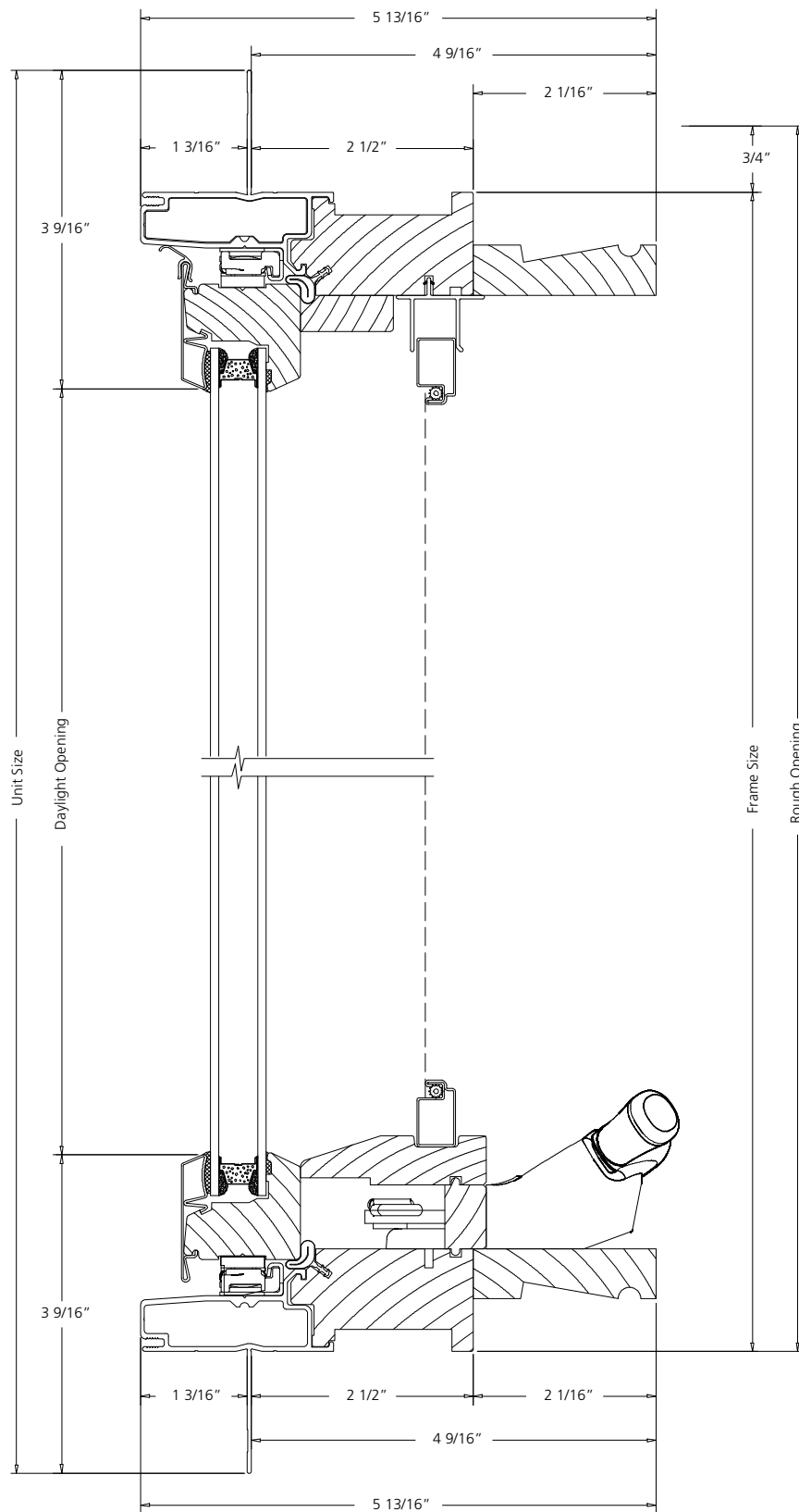


PRAIRIE



COLONIAL TOP DOWN

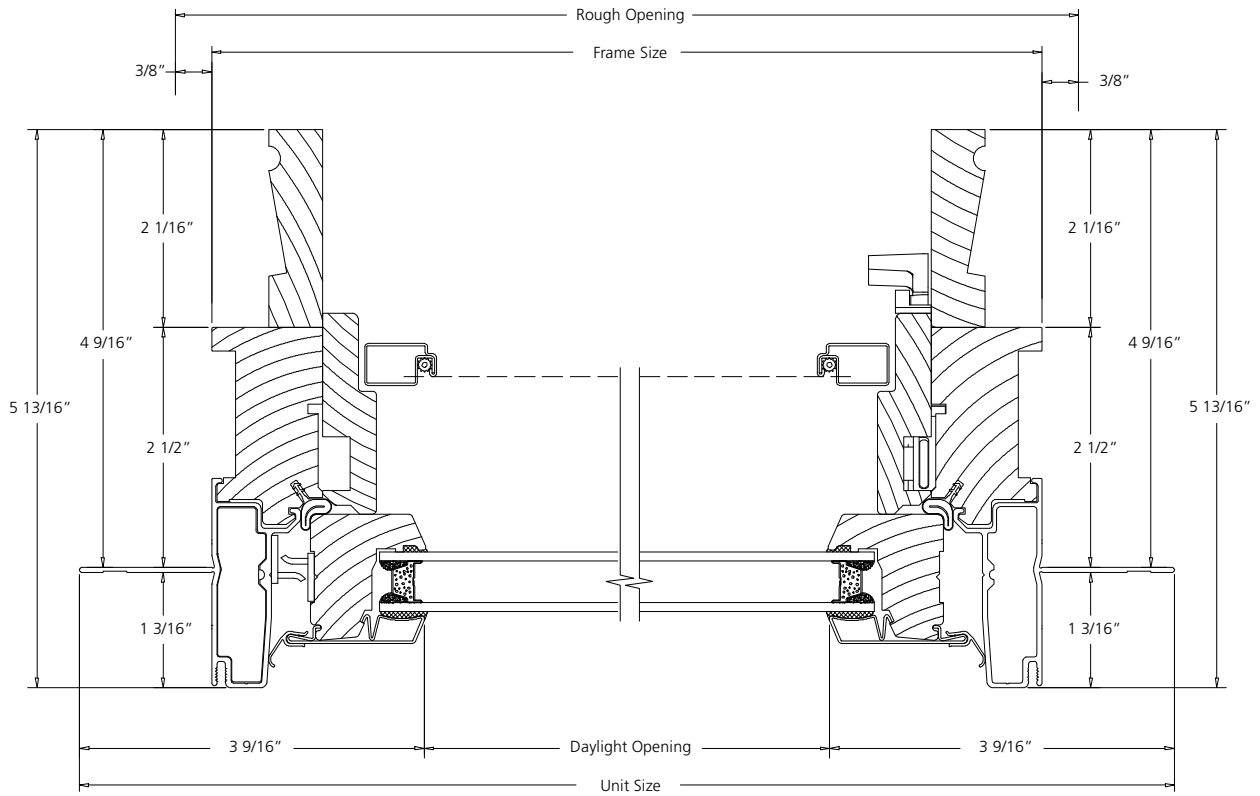
1-WIDE UNITS



VERTICAL SECTION

SCALE: 6" = 1'

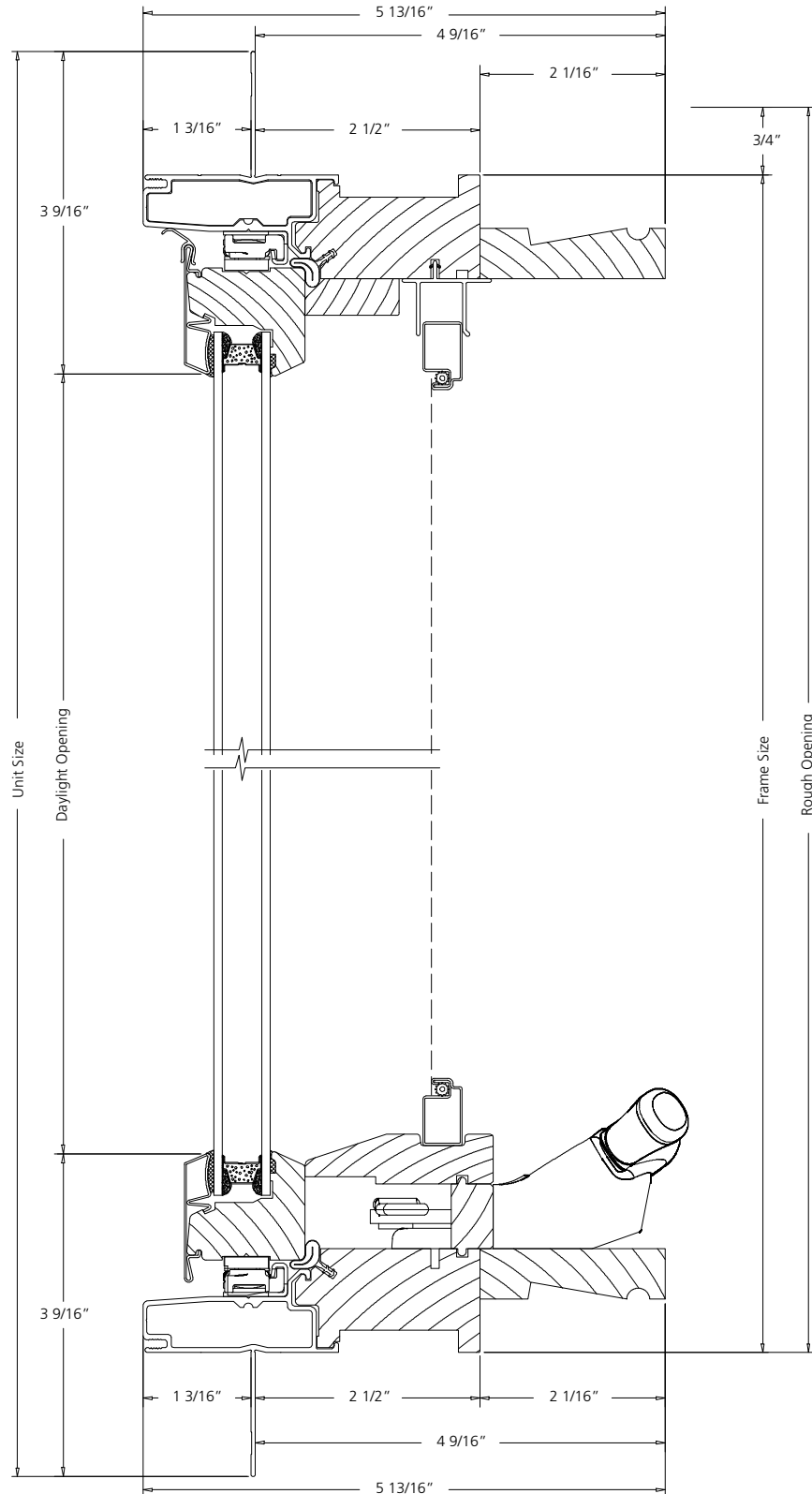
1-WIDE UNITS



HORIZONTAL SECTION

SCALE: 6" = 1'

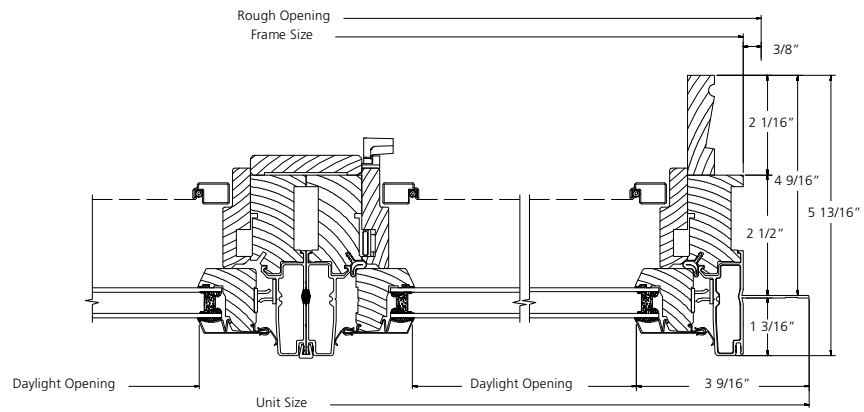
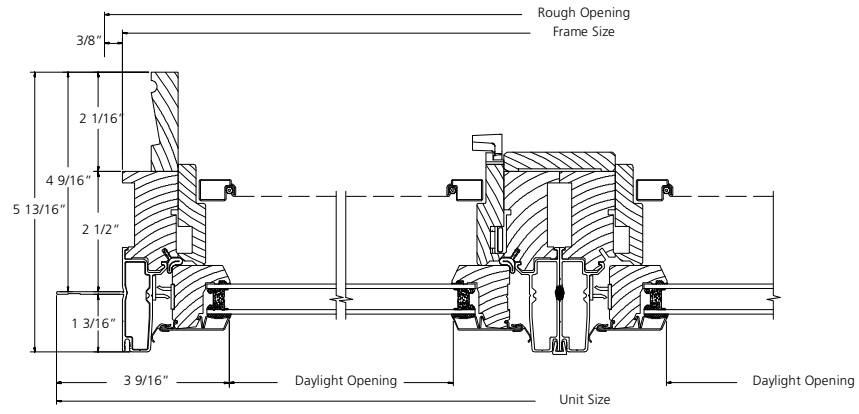
2-WIDE UNITS



VERTICAL SECTION

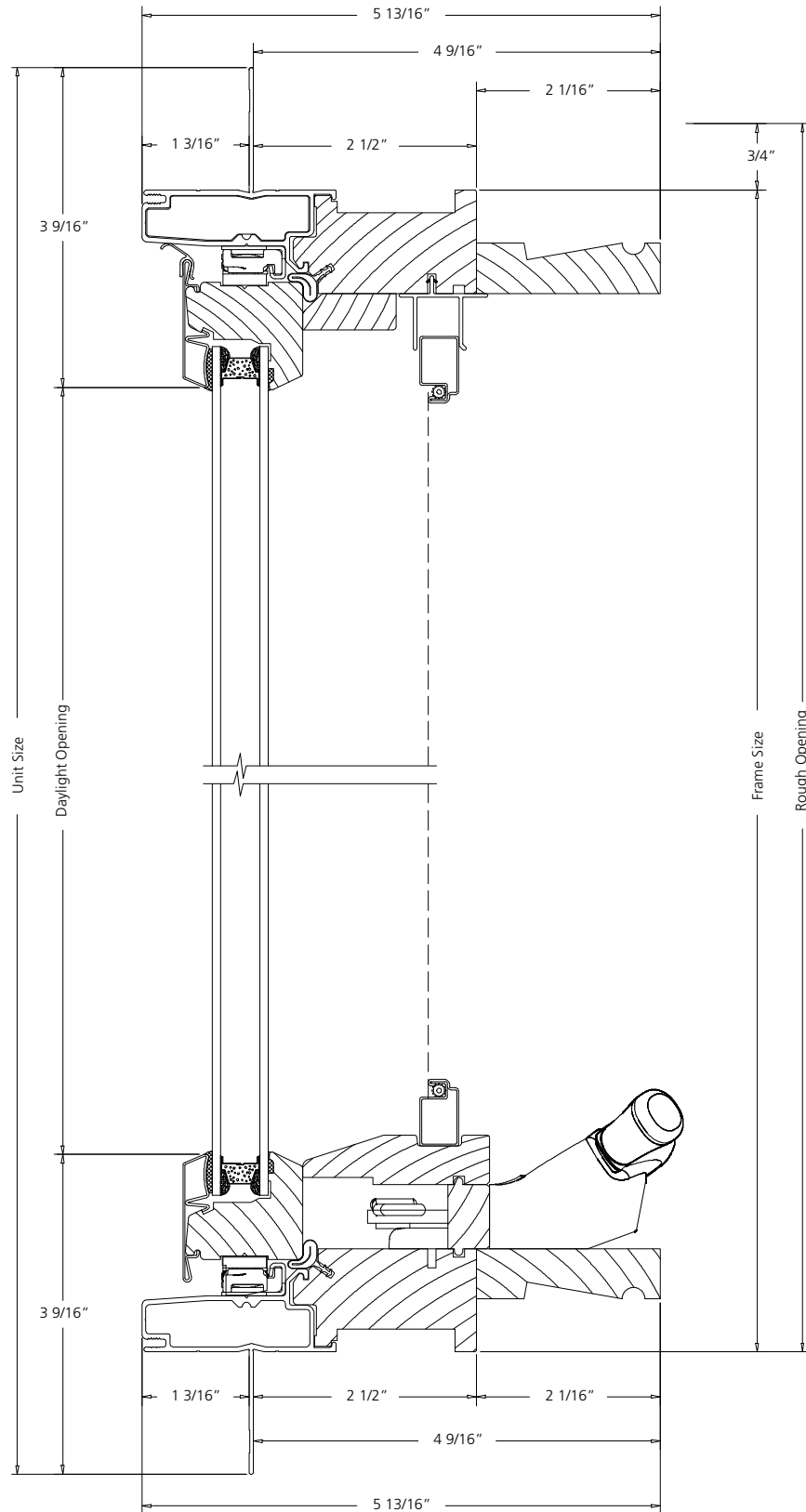
SCALE: 6" = 1'

2-WIDE UNITS



HORIZONTAL SECTION

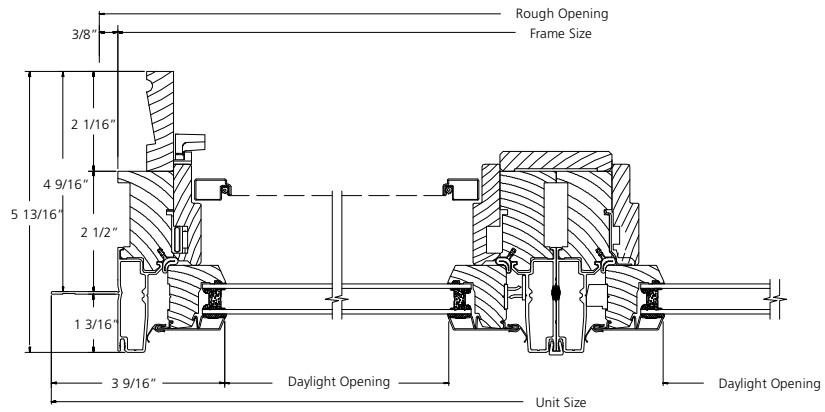
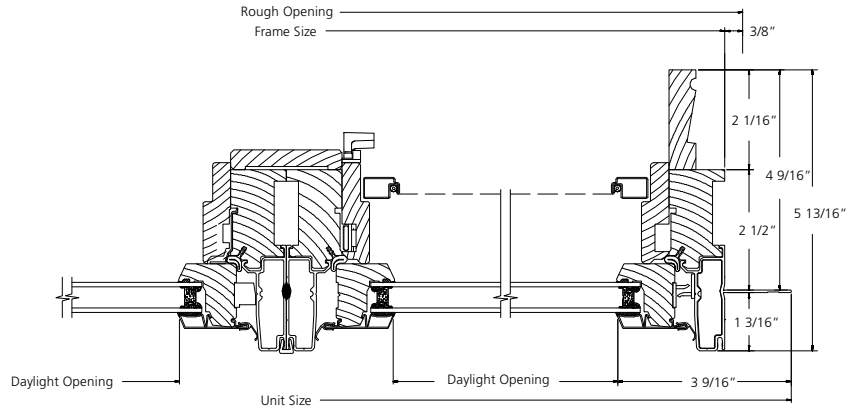
3-WIDE UNITS



VERTICAL SECTION

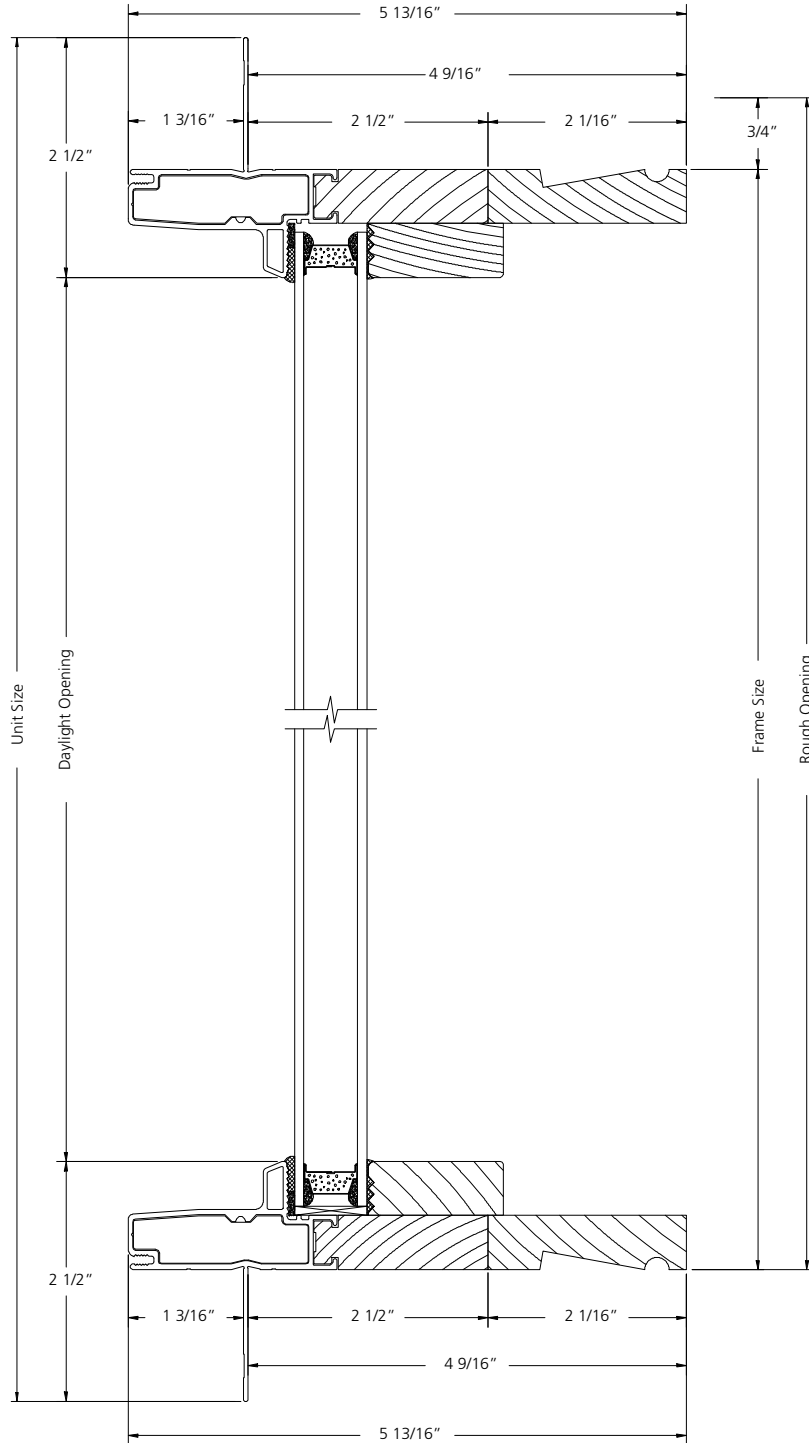
SCALE: 6" = 1'

3-WIDE UNITS



HORIZONTAL SECTION

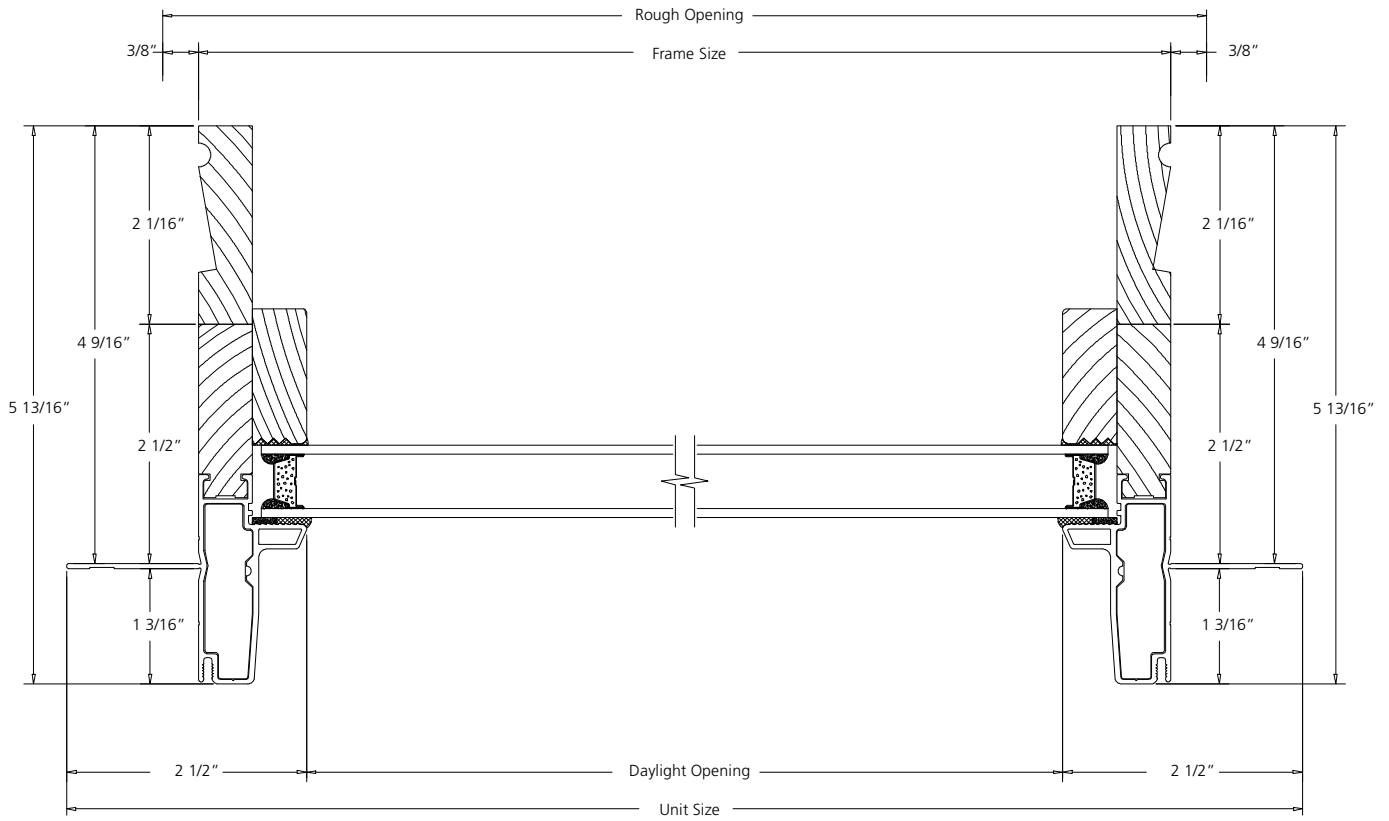
PICTURE UNITS



VERTICAL SECTION

SCALE: 6" = 1'

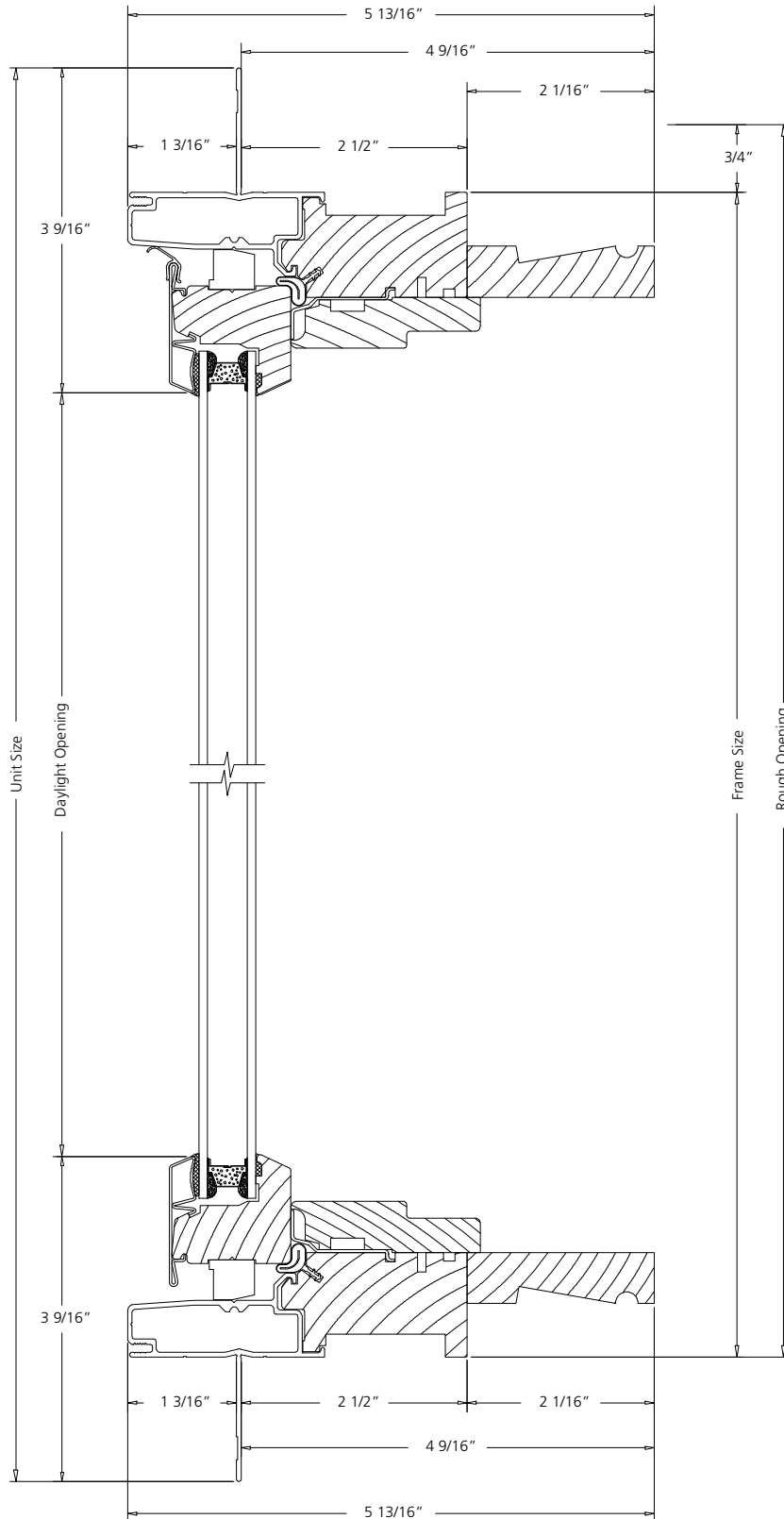
PICTURE UNITS



HORIZONTAL SECTION

SCALE: 6" = 1'

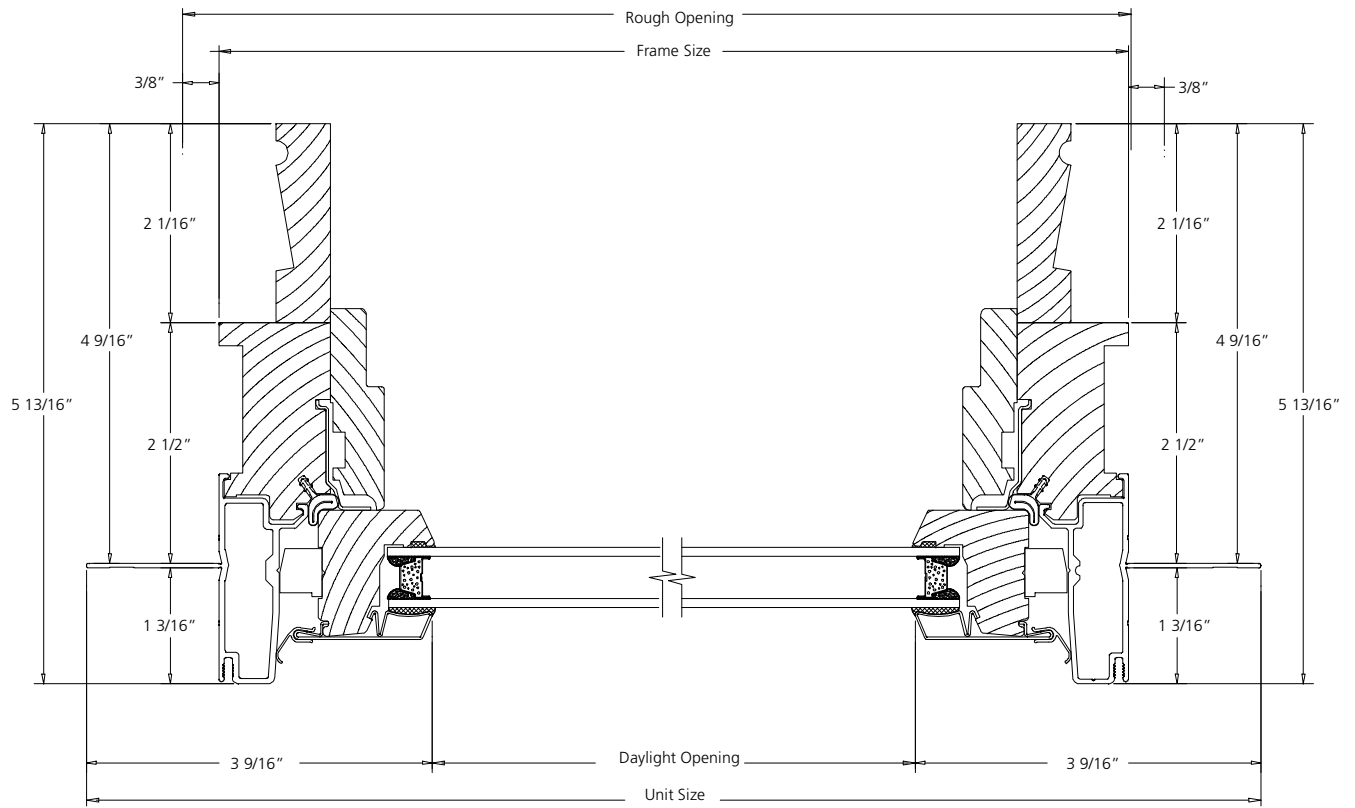
TRANSOM UNITS - 1 WIDE



VERTICAL SECTION

SCALE: 6" = 1'

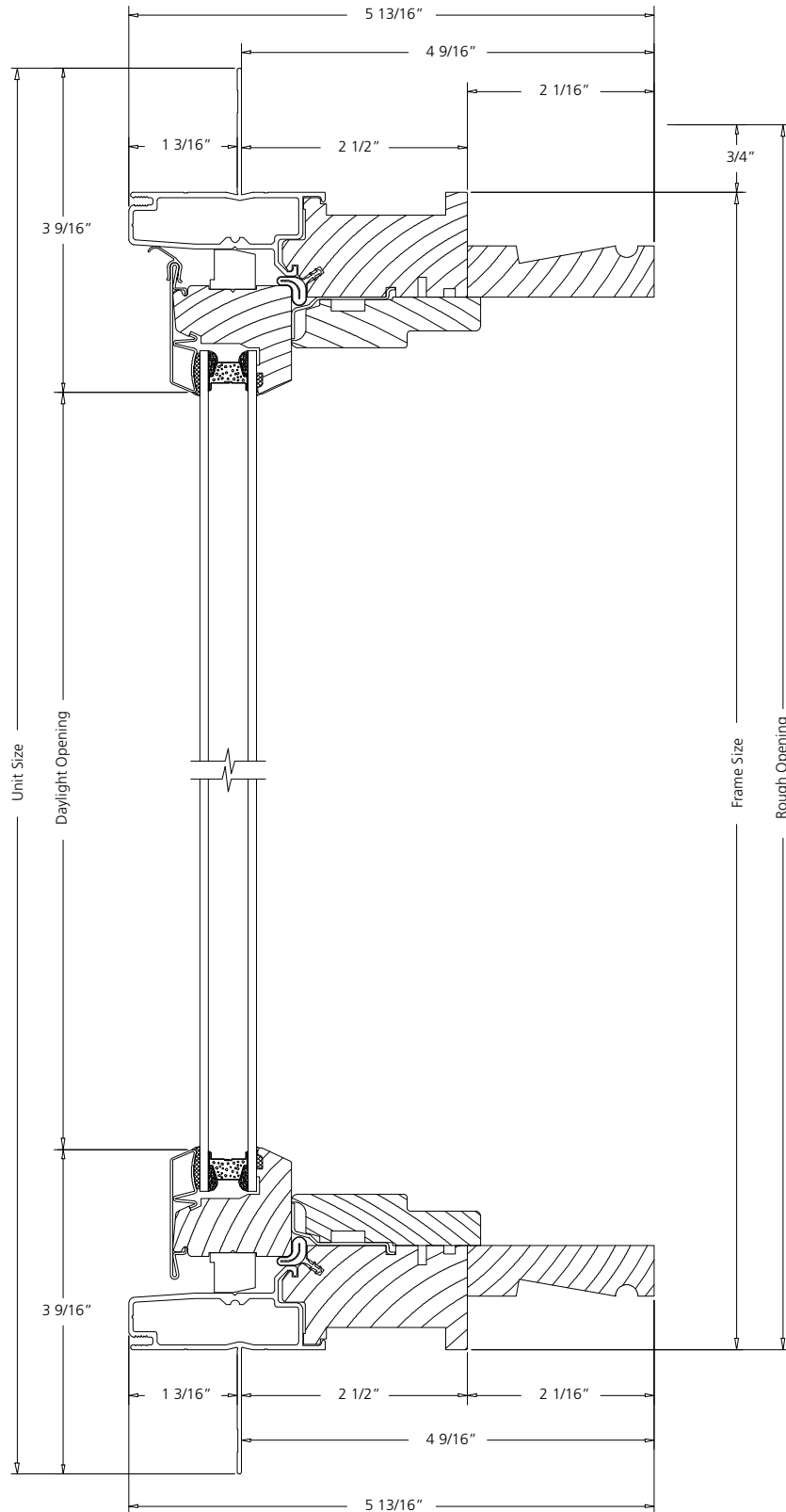
TRANSOM UNITS - 1 WIDE



HORIZONTAL SECTION

SCALE: 6" = 1'

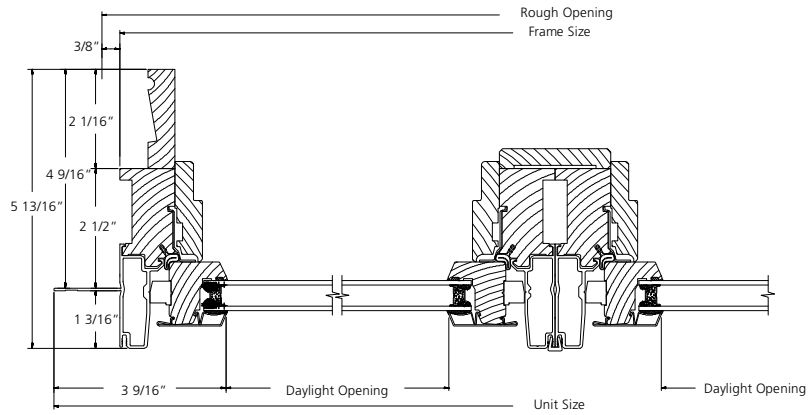
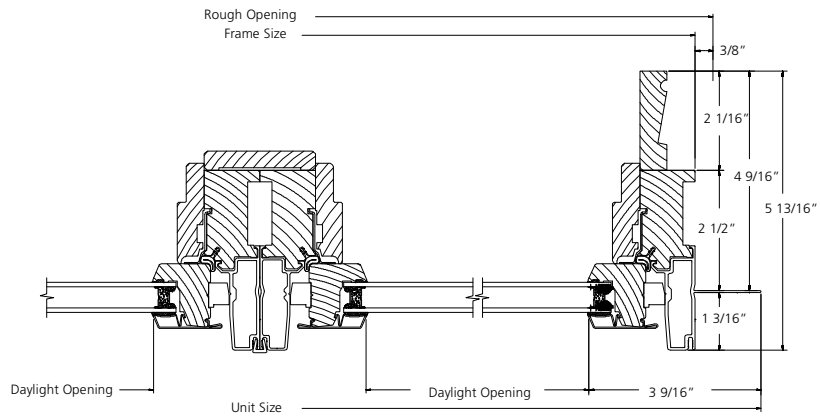
TRANSOM UNITS - 2 WIDE



VERTICAL SECTION

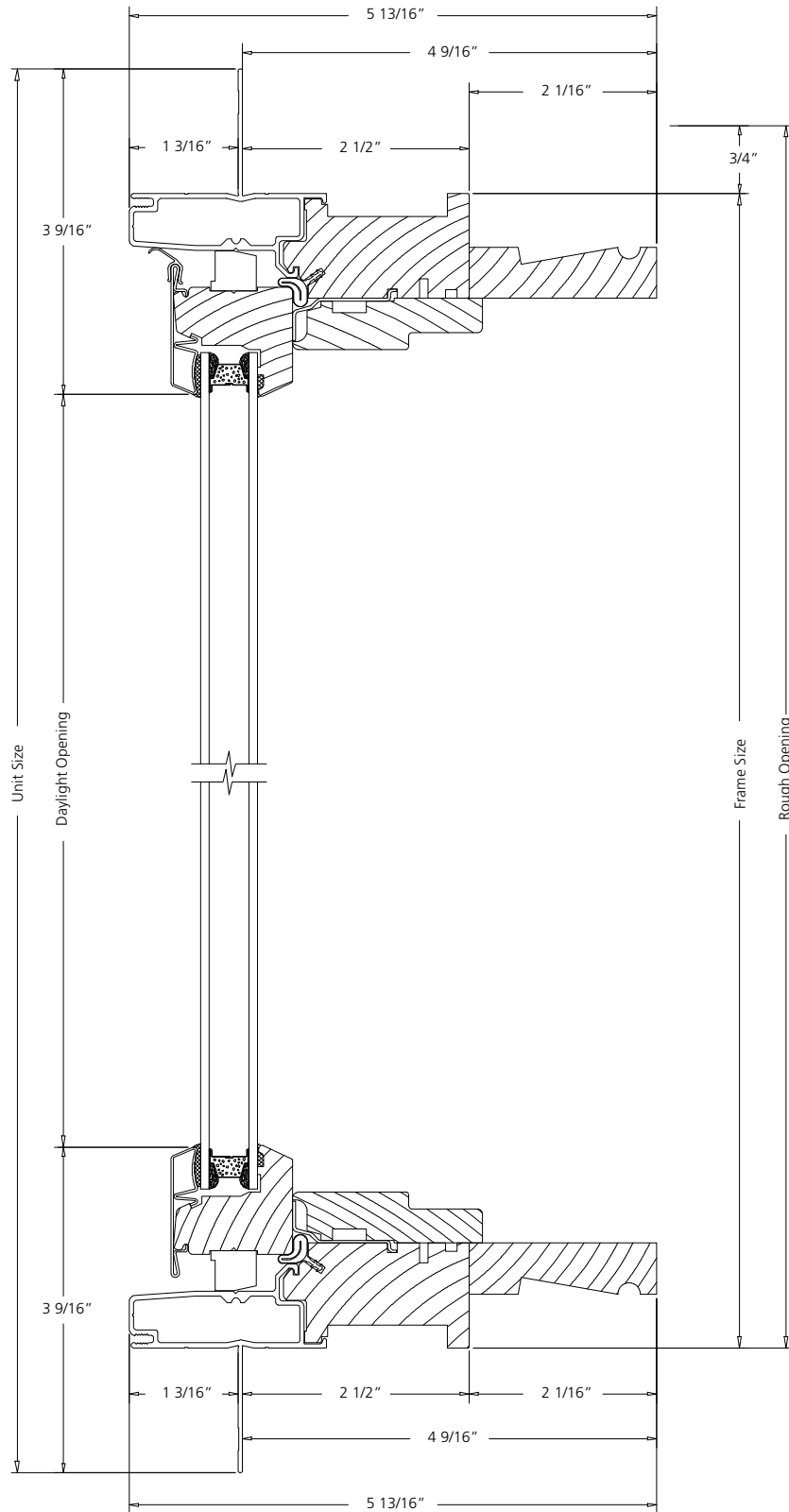
SCALE: 6" = 1'

TRANSOM UNITS - 2 WIDE



HORIZONTAL SECTION

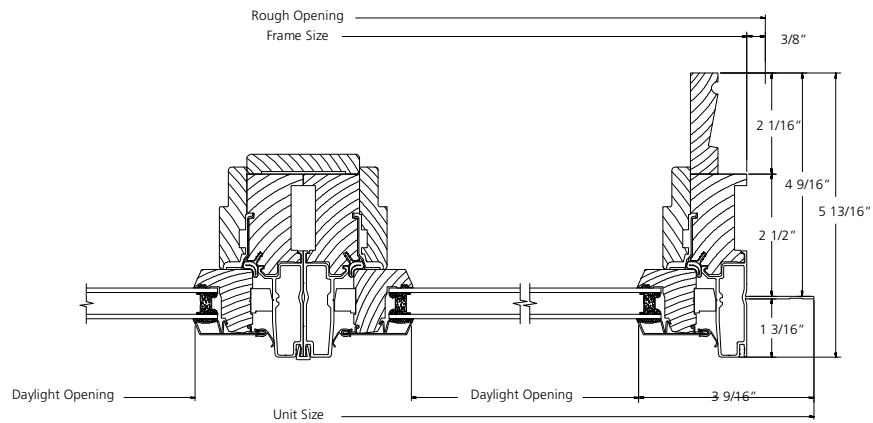
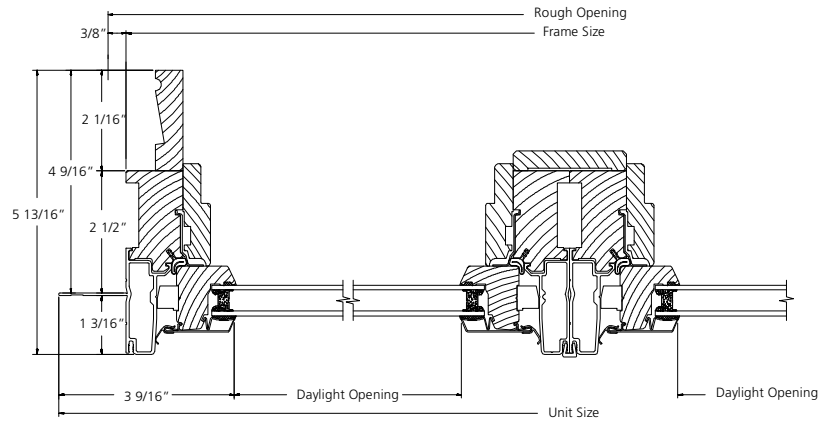
TRANSOM UNITS - 3 WIDE



VERTICAL SECTION

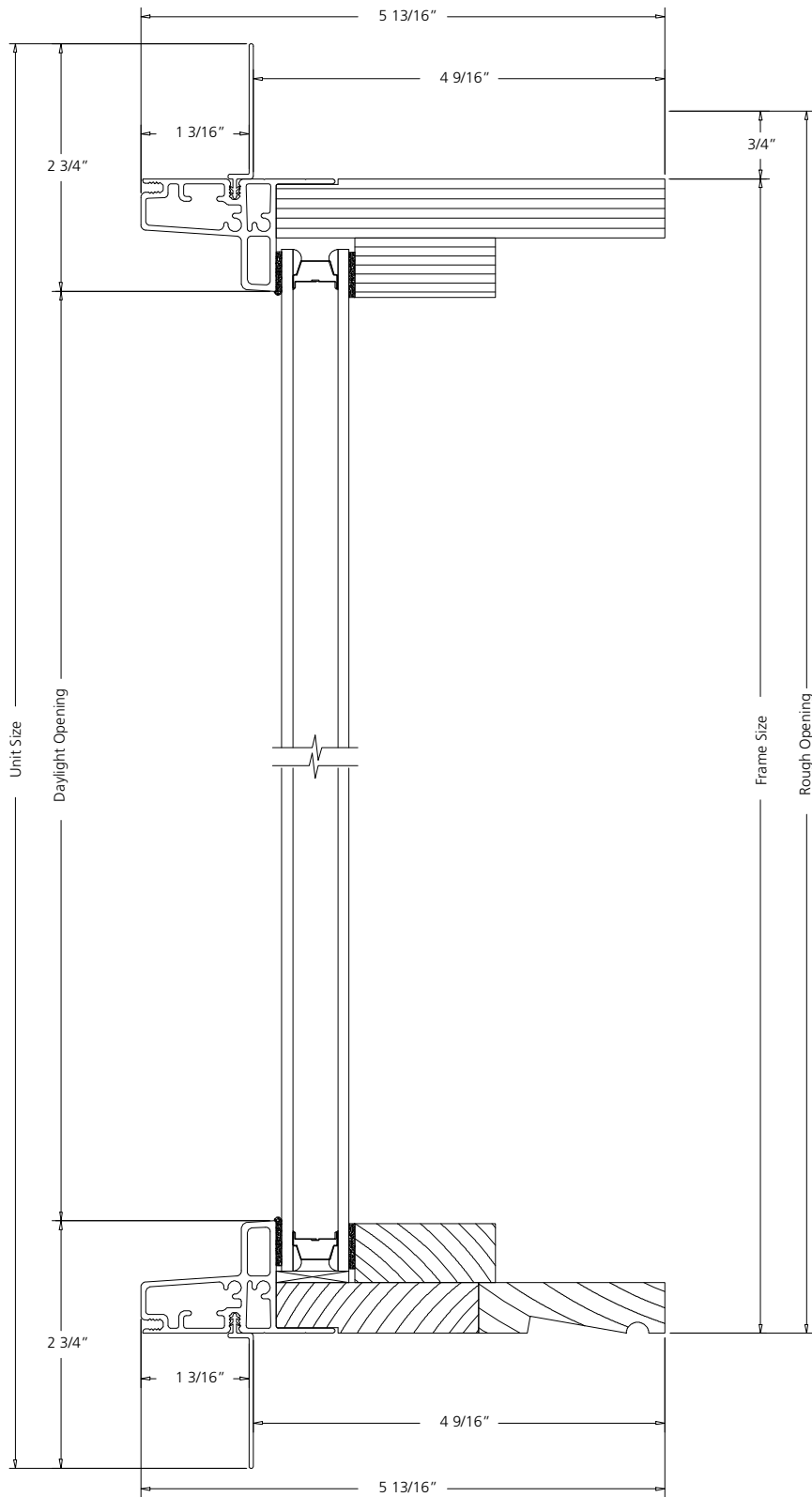
SCALE: 6" = 1'

TRANSOM UNITS - 3 WIDE



HORIZONTAL SECTION

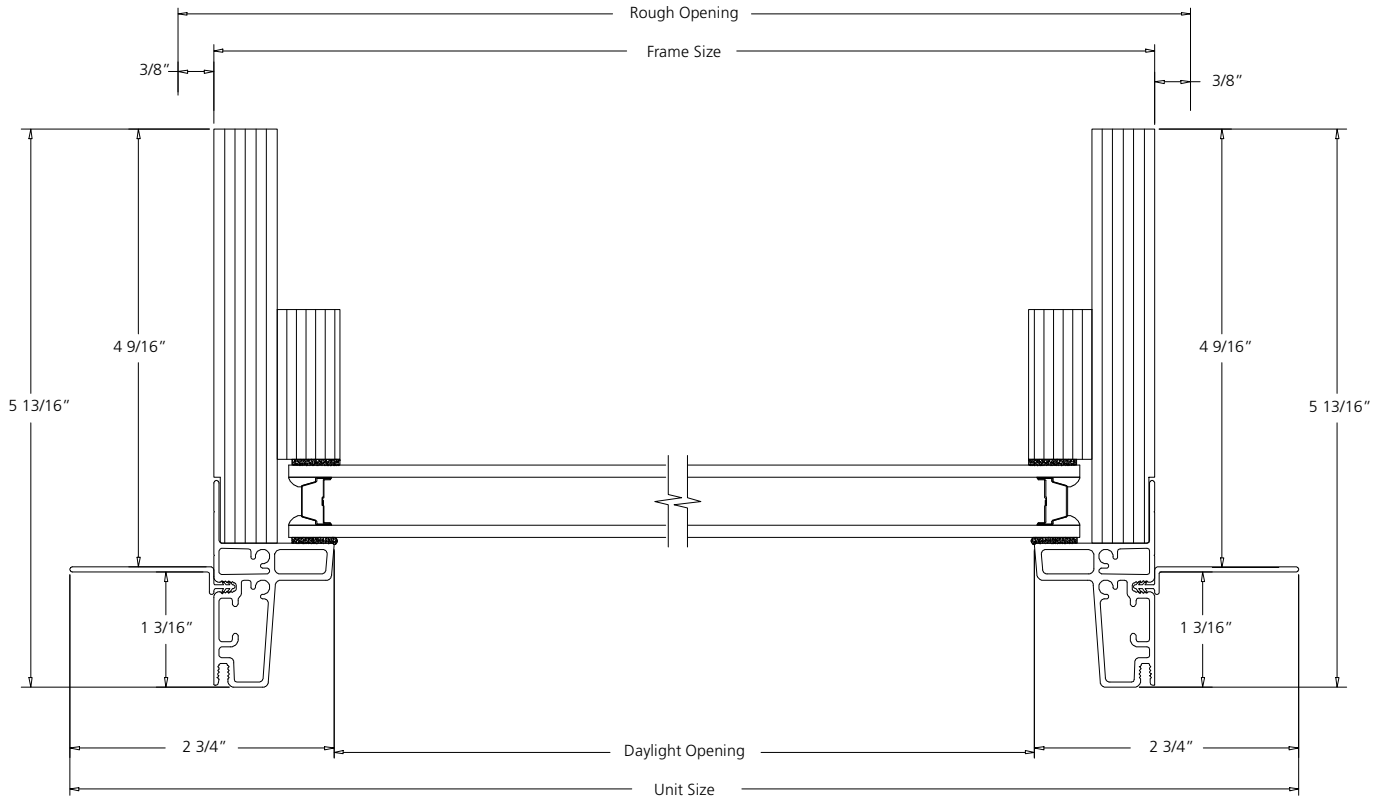
RADIUS UNITS



VERTICAL SECTION

SCALE: 6" = 1'

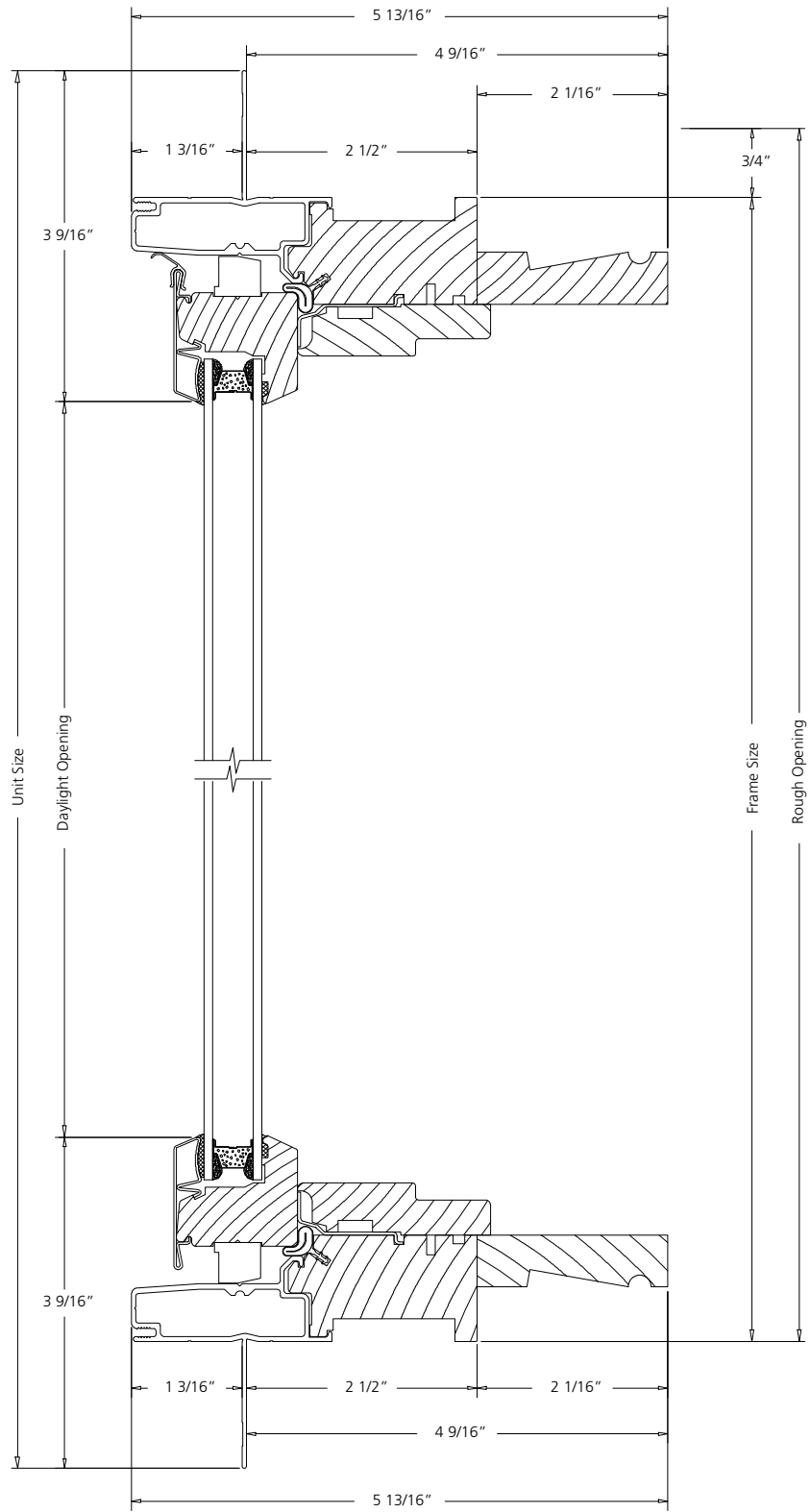
RADIUS UNITS



HORIZONTAL SECTION

SCALE: 6" = 1'

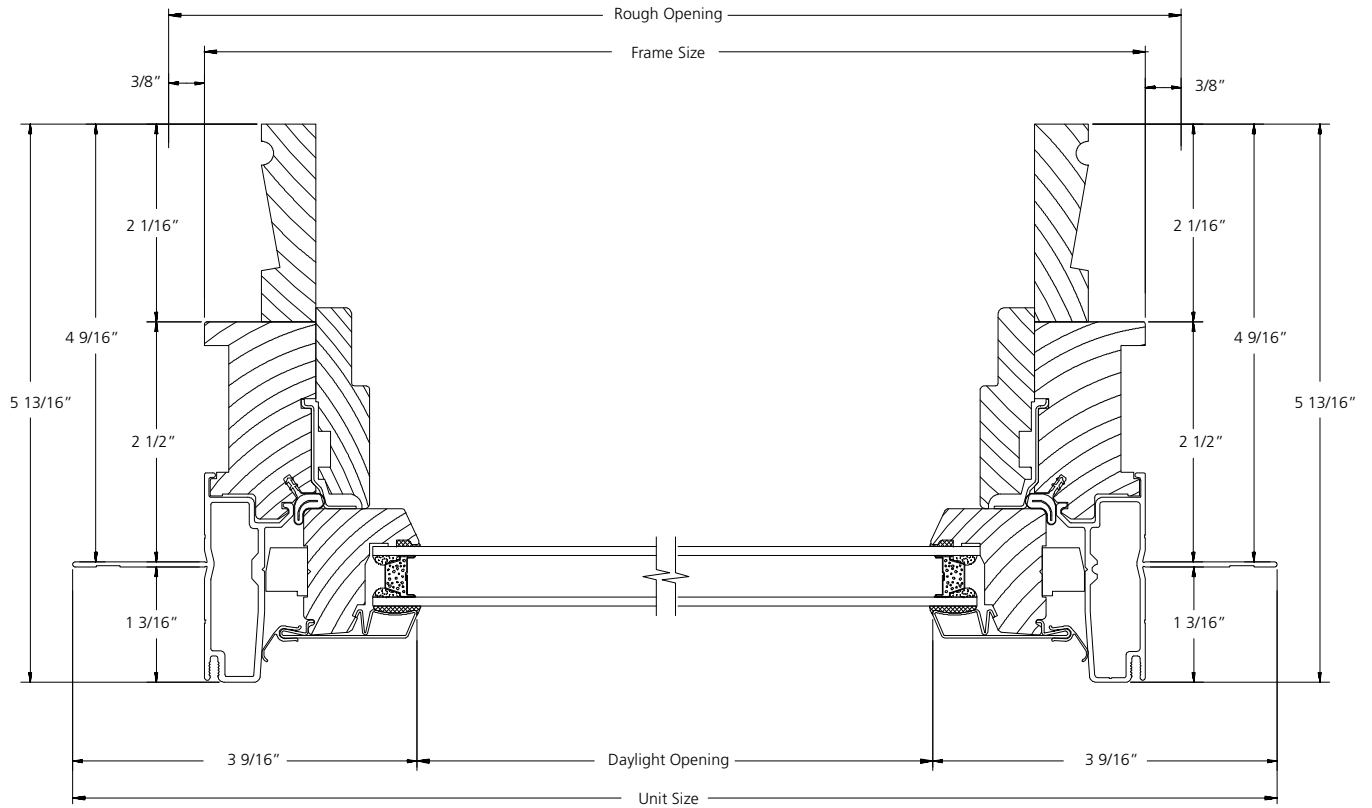
IN-SASH FIXED UNITS



VERTICAL SECTION

SCALE: 6" = 1'

IN-SASH FIXED UNITS



HORIZONTAL SECTION

SCALE: 6" = 1'