

---

**TABLE OF CONTENTS**

---

Specifications .....	4-2
Quick Spec Guide .....	4-3
Elevations/Sizes: 1/8" Scale	
Sidelights .....	4-5
2 Panel Doors .....	4-6
2 Panel Doors with Sidelight .....	4-7
Transoms .....	4-10
Glazing Options .....	4-11
Standard Mullion Details .....	4-12
Unit Sizing, Rough Openings & Masonry Openings .....	4-13
Section Details .....	4-14

---

**PRODUCT SPECIFICATIONS**

---

**EXTERIOR FINISH**

Exterior aluminum surfaces are low maintenance extruded aluminum frame and panels coated with a thermo set polyester finish that meets or exceeds the AAMA 2603 performance standards. Standard colors include Brilliant White, Desert Sand, Chestnut Bronze, French Vanilla, Hartford Green, and Black.

**AURALAST™ WOOD**

AuraLast® wood is fundamentally different from wood resulting from traditional millwork preservation processes in that it uses a proprietary vacuum/pressure process to provide protection throughout the wood parts used to make windows and doors. AuraLast® wood is distinguished from wood using the current preservation methods by its unique ability to achieve greater penetration of the active ingredients into the wood parts, with a penetration of the treatment being a minimum of 92%.

**INTERIOR FINISH**

All interior surfaces are unfinished clear pine ready for on site finishing or optional pre-finished white, primed or stained.

**FRAME**

Frame is assembled from select kiln dried pine using AuraLast® wood on all exterior parts. Exterior surface is .060" aluminum extrusion with reinforced nylon corner locks in the head frame and all corners injected with sealant. Integral nailing fin is part of the extrusion on all four sides. Assembled frame includes all weather-stripping and hardware installed. Exterior of frame extrusion is grooved to accept mulling accessories.

**PANELS**

Panels are 1-3/4" (44mm) thick and combines .055" extruded aluminum cladding with select kiln dried pine using AuraLast® wood. Wood stiles and rails are joined with three fingered joints and secured with PUR adhesive.

**GLAZING**

3/4" [19mm] thick sealed insulating glass is constructed from two panes of tempered, utilizing a continuous roll formed stainless steel spacer with dual seal sealant. The glass is mounted into the panel using a silicone-glazing compound. All insulating glass units comply with the performance requirements of IGCC in accordance with either ASTM E774 or E2190.

**GLAZING OPTIONS**

Insulating glass available in Low-E with Argon, Low-E 366, Neat, clear, Low-E EC, tempered, obscure, high altitude and blinds-between-the-glass.

**WEATHER-STRIPPING**

Fin pile weather-stripping is applied to the head, jambs, sill and interlock.

**HARDWARE**

Units feature smooth operating, end adjustable stainless steel rollers. Dual point handlesets are available in White, Black, Polished Brass and Brushed Chrome. They can be ordered with keyed and keyed alike cylinders.

**EXTERIOR INSECT SCREENS**

Charcoal fiberglass screen cloth (18x16 mesh) set in painted extruded aluminum frame with color to match cladding - choice of Brilliant White, Desert Sand, Chestnut Bronze, French Vanilla, Hartford Green, and Black; installed in channel on frame extrusion. Standard bottom sliding screen or optional top hanging screen. Insect screens are intended to allow air and light in and to keep insects out. They are not intended to keep anyone or anything from falling through an open window. For safety screens or other security devices contact your local building supply retailer.

**GRILLES**

**SDL** (Simulated Divided Lites) - extruded aluminum muntins permanently applied to the exterior of the insulating glass unit in 7/8" [22mm]. Clear wood interior muntin bars match the exterior muntin width and are permanently bonded to the interior of the glass.

**Full Surround and KD Wood Grilles** - Standard rectangular pattern, unfinished clear pine wood grilles in 7/8" [22mm].

**GBG** (Grilles between the Glass) - 5/8" [16mm] flat and 23/32" [18mm] contour mounted between the glass panes suspended within the air cavity.

**EXTENSION JAMBS**

Extension jambs using 9/16" [14mm] thick select kiln dried pine are factory applied to the interior on all four sides of the frame in wall depths up to 7-9/16".

**INSTALLATION**

Installation per JELD-WEN Installation Method for Metal Clad Windows J11026 or J11027. See [www.jeld-wen.com/resources](http://www.jeld-wen.com/resources) for instructions.

**PERFORMANCE**

**NFRC Certified** - (Rated and labeled in accordance with NFRC)

**WDMA Hallmark Certified**

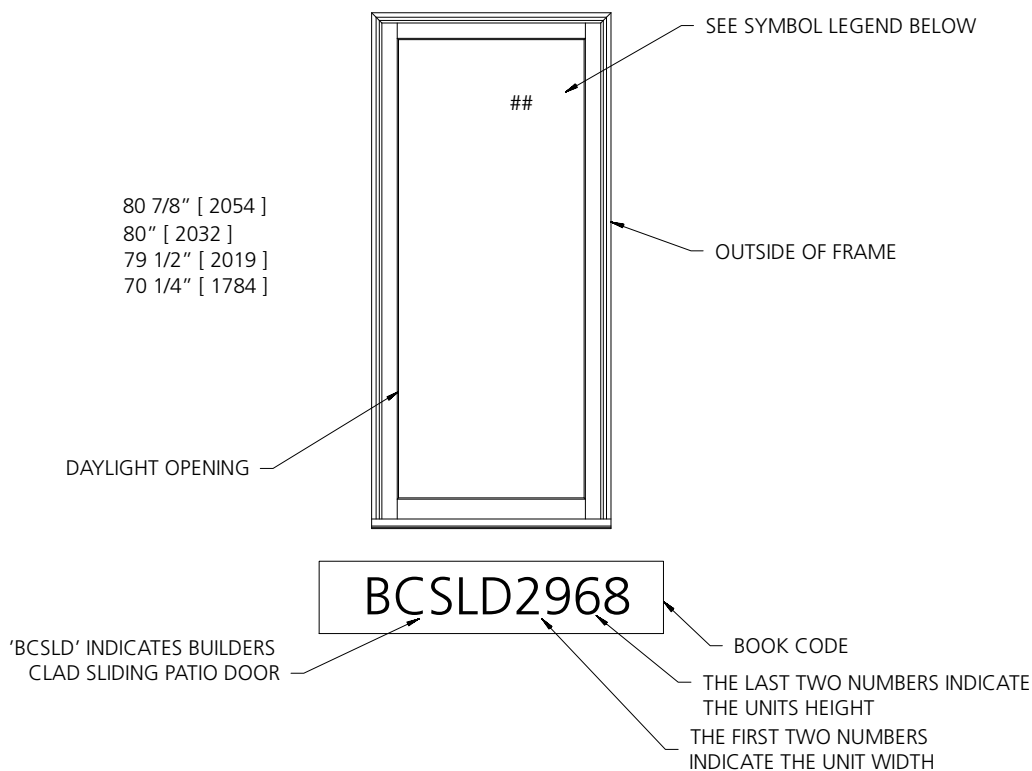
**QUICK SPEC GUIDE**

SPECIFICATION	STANDARD FEATURES	OPTIONAL FEATURES <i>Some options may require additional lead times. Consult your JELD-WEN Sales Representative.</i>
<b>EXTERIOR FINISH (CLAD)</b>	<ul style="list-style-type: none"> <li>• Brilliant White</li> <li>• Desert Sand</li> <li>• Chestnut Bronze</li> <li>• French Vanilla</li> <li>• Hartford Green</li> <li>• Black</li> </ul>	
<b>INTERIOR FINISH</b>	<ul style="list-style-type: none"> <li>• Natural</li> </ul>	<ul style="list-style-type: none"> <li>• Clear Stain Grade Frame</li> <li>• Natural Clear</li> <li>• Extra White Painted</li> <li>• Primed</li> <li>• Fruitwood Stain</li> <li>• Cider Stain</li> <li>• Cordovan Stain</li> </ul>
<b>SIZE (as single units)</b>	<ul style="list-style-type: none"> <li>• One Panel Widths: 32-1/8, 38-1/8, 50-1/8</li> <li>• One Panel Heights: 79-1/2, 82, 95-1/2</li> <li>• Two Panel Widths: 59-1/4, 71-1/4, 95-1/4</li> <li>• Two Panel Heights: 79-1/2, 82, 95-1/2</li> <li>• Three Panel Widths: 91-3/8, 97-3/8, 103-3/8, 109-3/8, 121-3/8, 127-3/8, 133-3/8, 145-3/8</li> <li>• Three Panel Heights: 79-1/2, 82, 95-1/2</li> <li>• Transom Widths: 32-1/8, 38-1/8, 50-1/8, 59-1/4, 71-1/4, 95-1/4, 91-3/8, 103-3/8, 127-3/8, 97-3/8, 109-3/8, 133-3/8, 121-3/8, 145-3/8</li> <li>• Transom Heights: 16, 24</li> </ul>	
<b>GLAZING</b>	<ul style="list-style-type: none"> <li>• Tempered Low-E Insulating glass with argon gas fill</li> </ul>	<ul style="list-style-type: none"> <li>• Clear</li> <li>• Low-E 366</li> <li>• Neat Glass</li> <li>• Low-E EC</li> <li>• Obscure</li> <li>• High Altitude</li> <li>• Blinds-Between-The-Glass</li> </ul> <p style="text-align: center;"><i>All glass available tempered</i></p>
<b>HARDWARE</b>	<ul style="list-style-type: none"> <li>• Dual Point Lock</li> </ul>	<ul style="list-style-type: none"> <li>• Keyed</li> <li>• Keyed Alike</li> </ul>
<b>HARDWARE COLOR</b>	<ul style="list-style-type: none"> <li>• White</li> <li>• Black</li> </ul>	<ul style="list-style-type: none"> <li>• Polished Brass</li> <li>• Brushed Chrome</li> </ul>
<b>SCREENS</b>	<ul style="list-style-type: none"> <li>• Fiberglass Mesh</li> <li>• Bottom Rolling Extruded</li> </ul>	<ul style="list-style-type: none"> <li>• Top Hanging Extruded</li> </ul>
<b>SCREEN FRAME COLOR</b>	<ul style="list-style-type: none"> <li>• Color Match Clad to extrusion</li> </ul>	
<b>GRILLES</b>		<ul style="list-style-type: none"> <li>• 5/8" Flat and 23/32" Contour GBG</li> <li>• 7/8" Full Surround (not available pre-finished)</li> <li>• 7/8" SDL with Shadow Bar</li> <li>• 7/8" SDL with no Shadow Bar</li> </ul>
<b>EXTERIOR TRIMS</b>	<ul style="list-style-type: none"> <li>• Integral Nailing Fin</li> </ul>	<ul style="list-style-type: none"> <li>• Aluminum Brickmould</li> <li>• Aluminum Adams Casing</li> <li>• Aluminium 3 1/2" Flat Casing</li> </ul>

**ELEVATION NOTES**

ELEVATION DRAWINGS UTILIZE A LIMITED NUMBER OF PROJECTED LINES TO PRODUCE A RUDIMENTARY DRAWING INTENDED TO BE USED IN A SMALL GRAPHICAL SCALE. ELEVATIONS ARE VIEWED PERPENDICULAR FROM THE EXTERIOR OF THE STRUCTURE. IF MORE DIMENSIONS ARE NEEDED, USE THE SECTION DRAWINGS FOR MORE COMPLETE DEPICTIONS.

<b>Unit Size</b>	34 7/8" [ 886 ]
<b>Rough Opening</b>	33" [ 838 ]
<b>Frame Size</b>	32 1/8" [ 816 ]
<b>Daylight Opening</b>	23 3/8" [ 594 ]



**GENERAL SLIDING DOOR NOTES**

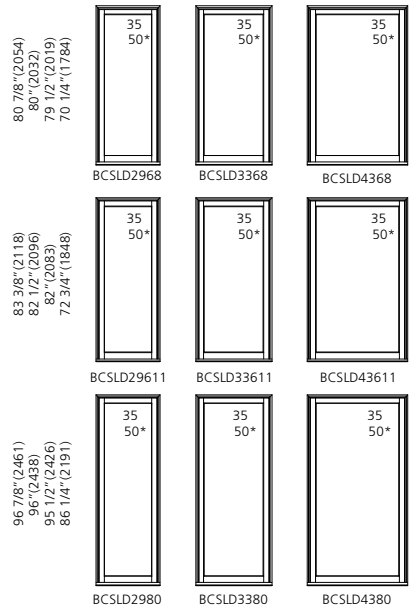
1. BUILDERS CLAD SLIDING PATIO DOOR (BCSLD) UNITS ARE AVAILABLE AS OPERATING OR FIXED UNITS.
2. UNIT ELEVATIONS ARE SHOWN WITHOUT EXTERIOR TRIM. UNIT SIZES & MASONRY OPENING DIMENSIONS WILL CHANGE WITH THE ADDITION OF EXTERIOR TRIM. SEE THE 'UNIT SIZING, ROUGH OPENINGS & MASONRY OPENINGS' PAGE FOR EXTERIOR TRIM EFFECTS.
3. OPERATING UNITS ARE AVAILABLE AS LEFT OR RIGHT HAND OPERATION.

**ELEVATION SYMBOL LEGEND**

## NUMBER INDICATES DESIGN PRESSURE (DP) RATING WITH STANDARD GLAZING. OPERATING UNITS UTILIZE MULTI-POINT LOCKING HARDWARE FOR DP RATINGS.

**SIDELIGHT**

<b>UNIT SIZE</b>	34 7/8"(886)	40 7/8"(1038)	52 7/8"(1343)
<b>ROUGH OPENING</b>	33"(838)	39"(991)	51"(1295)
<b>FRAME SIZE</b>	32 1/8"(816)	38 1/8"(968)	50 1/8"(1273)
<b>DAYLIGHT OPENING</b>	23 3/8"(594)	29 3/8"(746)	41 3/8"(1051)



**ELEVATION SYMBOL LEGEND:**  
 VALUES IN ( ) ARE IN MILLIMETER CONVERSIONS.  
 VALUES IN [ ] ARE NUMBER OF DAYLIGHT OPENINGS PER UNIT  
 ## NUMBER INDICATES DESIGN PRESSURE (DP) RATING WITH STANDARD GLAZING.  
 ### NUMBER INDICATES OPTIONAL DESIGN PRESSURE (DR) RATING

Note: Elevations shown DO NOT have exterior trim. Subtract 1/2" (12.7) from M.O. (Masonry Opening) for Unit Sizes. Masonry Openings above include Sill Nose, see Trim Options page for Sill Nose specifications. For other Trim Options refer to the Unit Sizing, Rough Opening & Masonry Openings page.

SCALE: 1/8" = 1'

**2-PANEL DOORS**

	UNIT SIZE ROUGH OPENING FRAME SIZE DAYLIGHT OPENING	62" (1575) 60" (1524) 59 1/4" (1505) 23 7/16" (595)[2]	74" (1880) 72" (1829) 71 1/4" (1810) 29 7/16" (748)[2]	98" (2489) 96" (2438) 95 1/4" (2419) 41 7/16" (1053)[2]
80 7/8" (2054) 80" (2032) 79 1/2" (2019) 70 1/4" (1784)	35 50*	BCSLD5068	35 50*	BCSLD6068
83 3/8" (2118) 83 1/2" (2096) 82" (2083) 72 3/4" (1848)	35 50*	BCSLD50611	35 50*	BCSLD60611
96 7/8" (2461) 96" (2438) 95 1/2" (2426) 86 1/4" (2191)	35	BCSLD5080	35	BCSLD6080

**ELEVATION SYMBOL LEGEND:**

**M.O.** = MASONRY OPENING  
 VALUES IN ( ) ARE IN MILLIMETER CONVERSIONS.  
 VALUES IN [ ] ARE NUMBER OF DAYLIGHT OPENINGS PER UNIT.  
 ## NUMBER INDICATES DESIGN PRESSURE (DP) RATING WITH STANDARD GLAZING.  
 ### NUMBER INDICATES OPTIONAL DESIGN PRESSURE (DR) RATING

Note: Elevations shown DO NOT have exterior trim. Subtract 1/2" (12.7) from M.O. (Masonry Opening) for Unit Sizes. Masonry Openings above include Sill Nose, see Trim Options page for Sill Nose specifications. For other Trim Options refer to the Unit Sizing, Rough Opening & Masonry Openings page.

SCALE: 1/8" = 1'

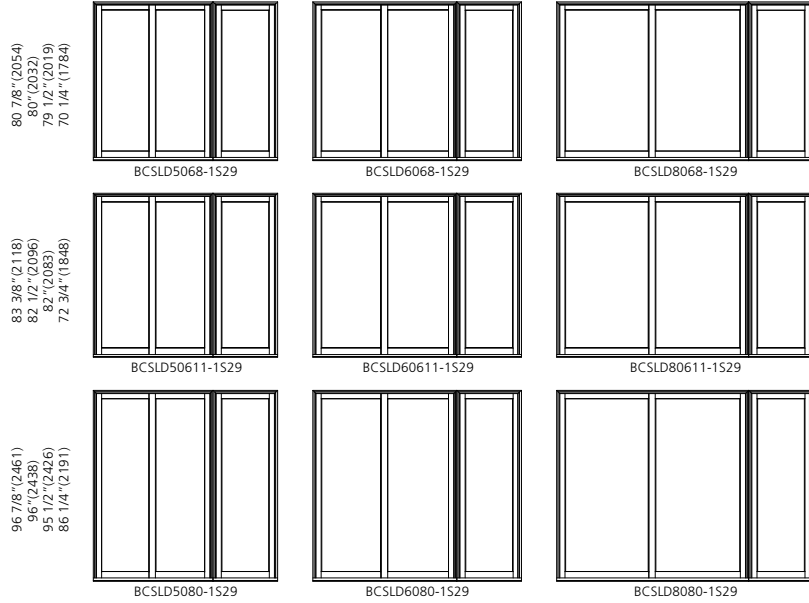
**2 PANEL DOORS  
WITH 32" SIDELIGHT**

**UNIT SIZE**  
**ROUGH OPENING**  
**FRAME SIZE**  
**DAYLIGHT OPENING**

94 1/8" (2391)  
92 1/8" (2340)  
91 3/8" (2321)  
23 7/16" (595)[2]  
23 3/8" (594)

106 1/8" (2696)  
104 1/8" (2645)  
103 3/8" (2626)  
29 7/16" (748)[2]  
23 3/8" (594)

130 1/8" (3305)  
128 1/8" (3254)  
127 3/8" (3235)  
41 7/16" (1053)[2]  
23 3/8" (594)



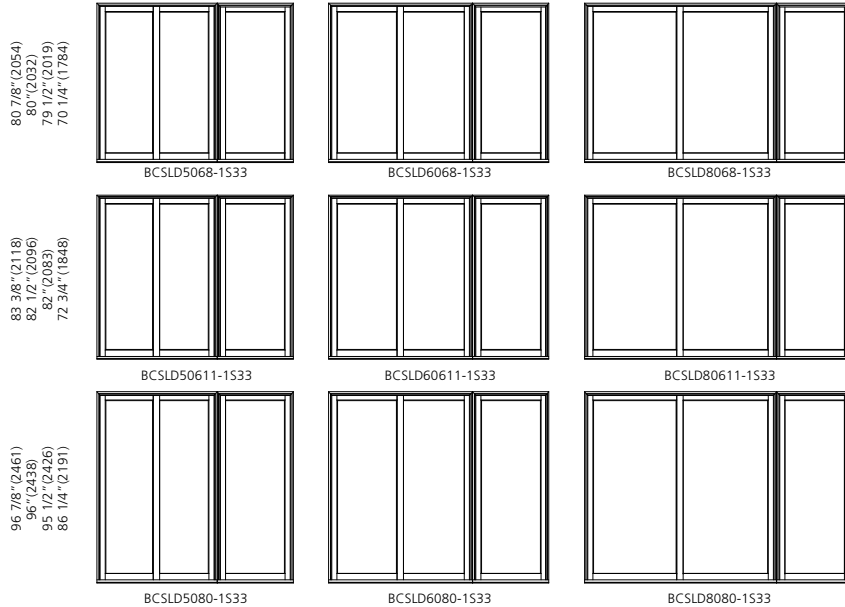
**ELEVATION SYMBOL LEGEND:**  
VALUES IN ( ) ARE IN MILLIMETER CONVERSIONS.  
VALUES IN [ ] ARE NUMBER OF DAYLIGHT OPENINGS PER UNIT

Note: Elevations shown DO NOT have exterior trim. Subtract 1/2" (12.7) from M.O. (Masonry Opening) for Unit Sizes. Masonry Openings above include Sill Nose, see Trim Options page for Sill Nose specifications. For other Trim Options refer to the Unit Sizing, Rough Opening & Masonry Openings page.

SCALE: 1/8" = 1'

**2-PANEL DOORS  
WITH 38" SIDELIGHT**

UNIT SIZE	100 1/8" (2543)	112 1/8" (2848)	136 1/8" (3458)
ROUGH OPENING	98 1/8" (2492)	110 1/8" (2797)	134 1/8" (3407)
FRAME SIZE	97 3/8" (2473)	109 3/8" (2778)	133 3/8" (3388)
DAYLIGHT OPENING	23 7/16" (595)[2] 29 3/8" (746)	29 7/16" (748)[2] 29 3/8" (746)	41 7/16" (1053)[2] 29 3/8" (746)



**ELEVATION SYMBOL LEGEND:**  
VALUES IN ( ) ARE IN MILLIMETER CONVERSIONS.  
VALUES IN [ ] ARE NUMBER OF DAYLIGHT OPENINGS PER UNIT.

Note: Elevations shown DO NOT have exterior trim. Subtract 1/2" (12.7) from M.O. (Masonry Opening) for Unit Sizes. Masonry Openings above include Sill Nose, see Trim Options page for Sill Nose specifications. For other Trim Options refer to the Unit Sizing, Rough Opening & Masonry Openings page.

SCALE: 1/8" = 1'



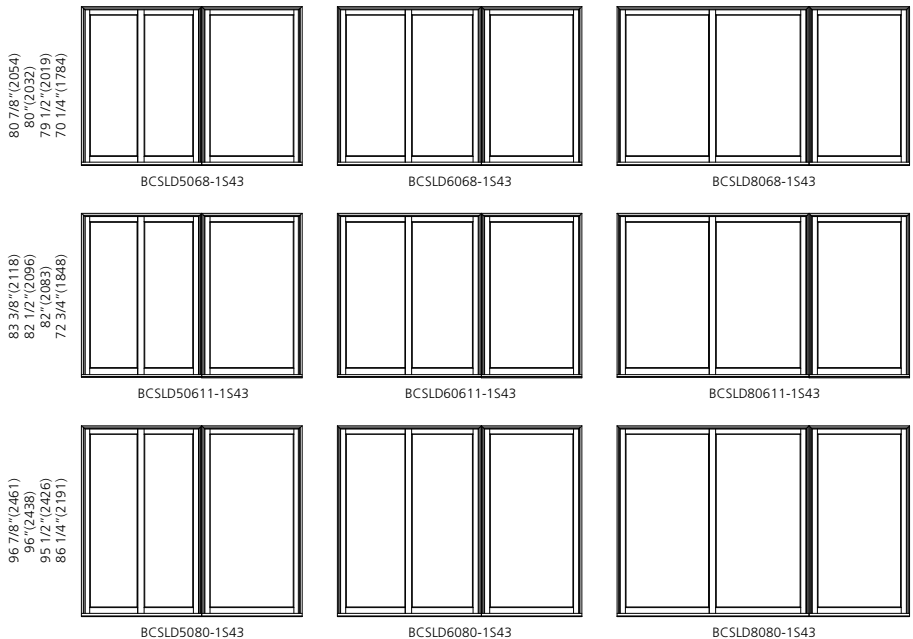
**2-PANEL DOORS**  
**WITH 50" SIDELIGHT**

**UNIT SIZE**  
**ROUGH OPENING**  
**FRAME SIZE**  
**DAYLIGHT OPENING**

112 1/8" (2848)  
110 1/8" (2797)  
109 3/8" (2778)  
23 7/16" (595)[2]  
41 3/8" (1051)

124 1/8" (3153)  
122 1/8" (3102)  
121 3/8" (3083)  
29 7/16" (748)[2]  
41 3/8" (1051)

148 1/8" (3762)  
146 1/8" (3712)  
145 3/8" (3696)  
41 7/16" (1053)[2]  
41 3/8" (1051)



**ELEVATION SYMBOL LEGEND:**  
VALUES IN ( ) ARE IN MILLIMETER CONVERSIONS.  
VALUES IN [ ] ARE NUMBER OF DAYLIGHT OPENINGS PER UNIT.

Note: Elevations shown DO NOT have exterior trim. Subtract 1/2" (12.7) from M.O. (Masonry Opening) for Unit Sizes. Masonry Openings above include Sill Nose, see Trim Options page for Sill Nose specifications. For other Trim Options refer to the Unit Sizing, Rough Opening & Masonry Openings page.

SCALE: 1/8" = 1'

**TRANSOMS**

<b>UNIT SIZE</b>	35 1/8"(892)	41 1/8"(1045)	53 1/8"(1349)	62 1/4"(1581)	74 1/4"(1886)	94 3/8"(2397)	98 1/4"(2496)
<b>ROUGH OPENING</b>	33"(838)	39"(991)	51"(1295)	60"(1524)	72"(1829)	92"(2337)	96"(2438)
<b>FRAME SIZE</b>	32 1/8"(816)	38 1/8"(968)	50 1/8"(1273)	59 1/4"(1505)	71 1/4"(1810)	91 3/8"(2321)	95 1/4"(2419)
<b>DAYLIGHT OPENING</b>	28 5/8"(727)	34 5/8"(879)	46 5/8"(1184)	55 3/4"(1416)	67 3/4"(1721)	87 7/8"(2232)	91 3/4"(2330)

19"(483)  
16 1/2"(419)  
16"(406)  
12 1/2"(318)



BCSLDT2914



BCSLDT3314



BCSLDT4314



BCSLDT5014



BCSLDT6014



BCSLDT7814



BCSLDT8014

27"(686)  
24 1/2"(622)  
24"(610)  
20 1/2"(521)



BCSLDT2920



BCSLDT3320



BCSLDT4320



BCSLDT5020



BCSLDT6020



BCSLDT7820



BCSLDT8020

<b>UNIT SIZE</b>	100 3/8"(2550)	106 3/8"(2702)	112 3/8"(2854)	124 3/8"(3159)
<b>ROUGH OPENING</b>	98"(2489)	104"(2642)	110"(2794)	122"(3099)
<b>FRAME SIZE</b>	97 3/8"(2473)	103 3/8"(2626)	109 3/8"(2778)	121 3/8"(3083)
<b>DAYLIGHT OPENING</b>	93 7/8"(2384)	99 7/8"(2537)	105 7/8"(2689)	117 7/8"(2994)

19"(483)  
16 1/2"(419)  
16"(406)  
12 1/2"(318)



BCSLDT8214



BCSLDT8814



BCSLDT9214



BCSLDT10214

27"(686)  
24 1/2"(622)  
24"(610)  
20 1/2"(521)



BCSLDT8220



BCSLDT8820



BCSLDT9220



BCSLDT10220

<b>UNIT SIZE</b>	130 3/8"(3312)	136 3/8"(3464)	148 3/8"(3769)
<b>ROUGH OPENING</b>	128"(3251)	134"(3404)	146"(3708)
<b>FRAME SIZE</b>	127 3/8"(3235)	133 3/8"(3388)	145 3/8"(3693)
<b>DAYLIGHT OPENING</b>	123 7/8"(3146)	129 7/8"(3299)	141 7/8"(3604)

19"(483)  
16 1/2"(419)  
16"(406)  
12 1/2"(318)



BCSLDT10814



BCSLDT11214



BCSLDT12214

27"(686)  
24 1/2"(622)  
24"(610)  
20 1/2"(521)



BCSLDT10820



BCSLDT11220



BCSLDT12220

**ELEVATION SYMBOL LEGEND:**  
VALUES IN ( ) ARE IN MILLIMETER CONVERSIONS.

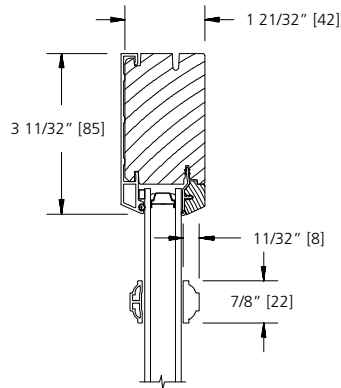
Note: Elevations shown DO NOT have exterior trim. Subtract 1/2" (12.7) from M.O. (Masonry Opening) for Unit Sizes. Masonry Openings above include Sill Nose, see Trim Options page for Sill Nose specifications. For other Trim Options refer to the Unit Sizing, Rough Opening & Masonry Openings page.

SCALE: 1/8" = 1'

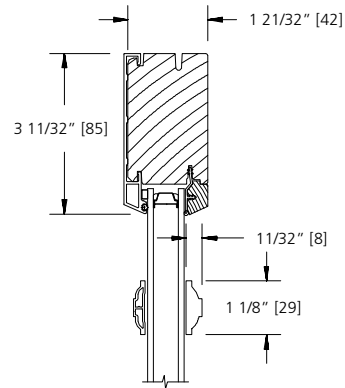
**GLAZING OPTIONS**

**INTERIOR GLAZED GLAZING OPTIONS**

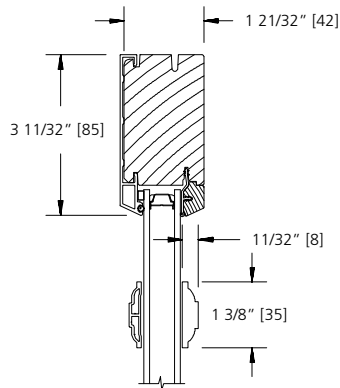
INSULATED 3/4" [19] GLASS



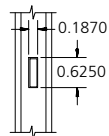
**7/8" GRILLE BAR**



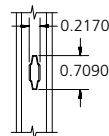
**1 1/8" GRILLE BAR**



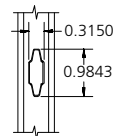
**1 3/8" GRILLE BAR**



**5/8" GRILLE**



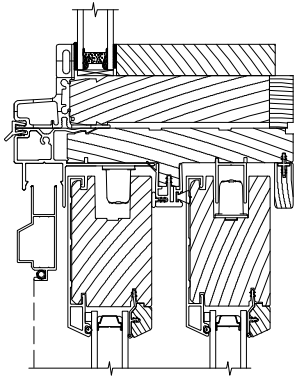
**23/32" GRILLE**



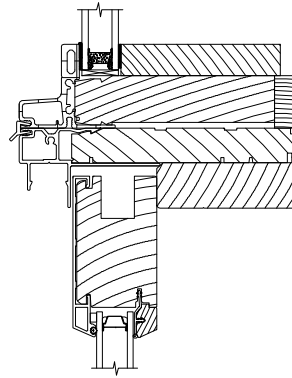
**1" GRILLE**

SCALE: 3" = 1'

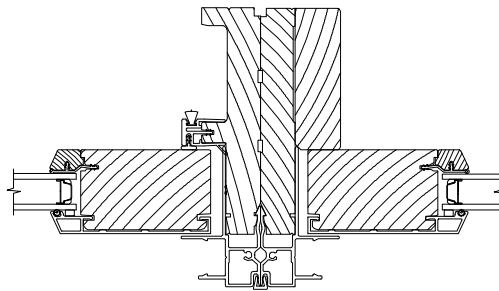
STANDARD MULLION DETAILS



Direct Set Transom over Sliding Patio Door



Direct Set Transom over Stationary Panel



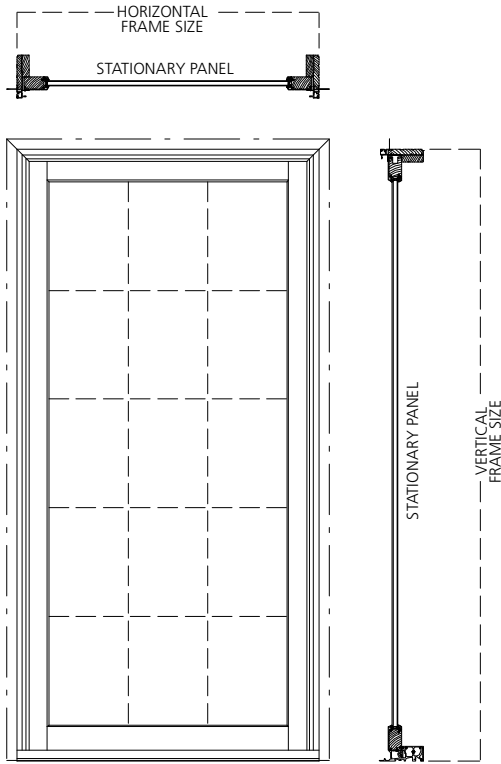
Sliding Patio Door next to Stationary Panel

SCALE: 3" = 1'

**UNIT SIZING, ROUGH OPENINGS  
& MASONRY OPENINGS**

**STANDARD OFFERING**

DRIP CAP & NAILING FLANGE



**GENERAL NOTES:**

UNITS WITH NO EXTERIOR TRIM  
OR DRIP CAP & NAILING FLANGE:  
FRAME SIZE = UNIT SIZE

UNIT SIZE IS ALWAYS THE  
EXTREME SIZE OF THE DOOR  
WITH OR WITHOUT TRIM  
(DRIP CAP & NAILING FLANGE ARE  
NOT ADDED TO ANY UNIT SIZING)

ROUGH OPENING IS ALWAYS 1/2" VERTICAL  
AND 3/4" VERTICAL OVER FRAME SIZE OF THE DOOR

MASONRY OPENING IS ALWAYS 1/2"  
OVER THE UNIT SIZE OF THE DOOR

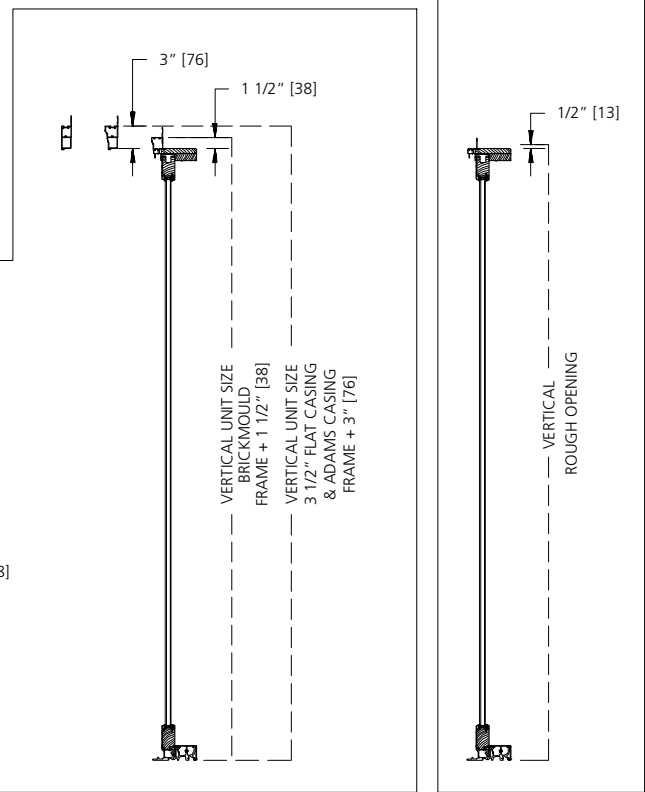
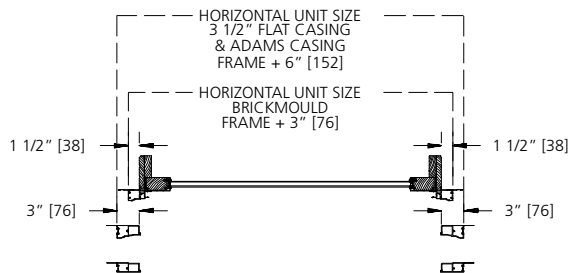
**ROUGH OPENING:**

DRIP CAP & NAILING FLANGE



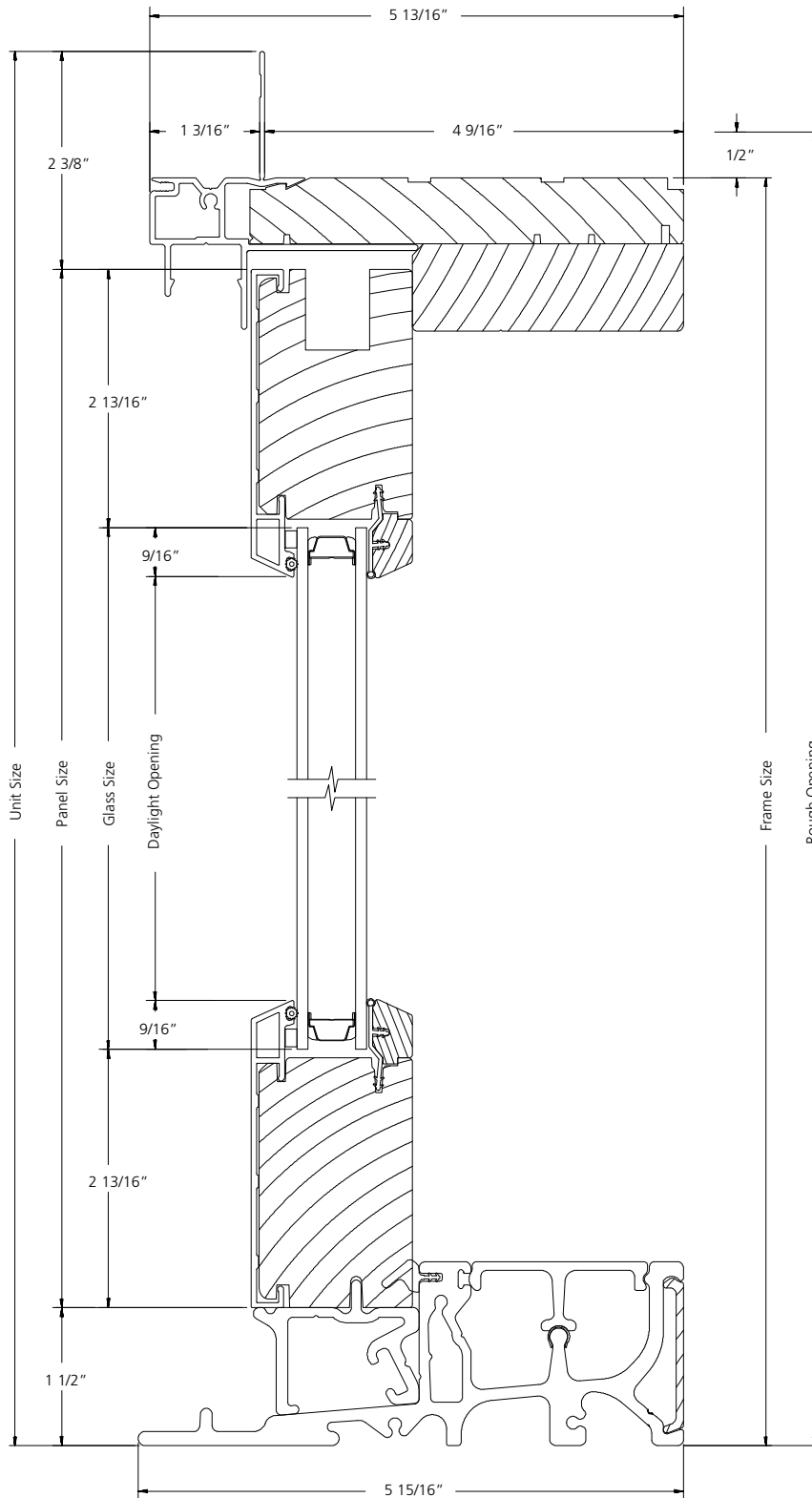
**UNIT SIZE**

FRAME TO EXTERIOR TRIM (UNIT) SIZE



SCALE: 3" = 1'

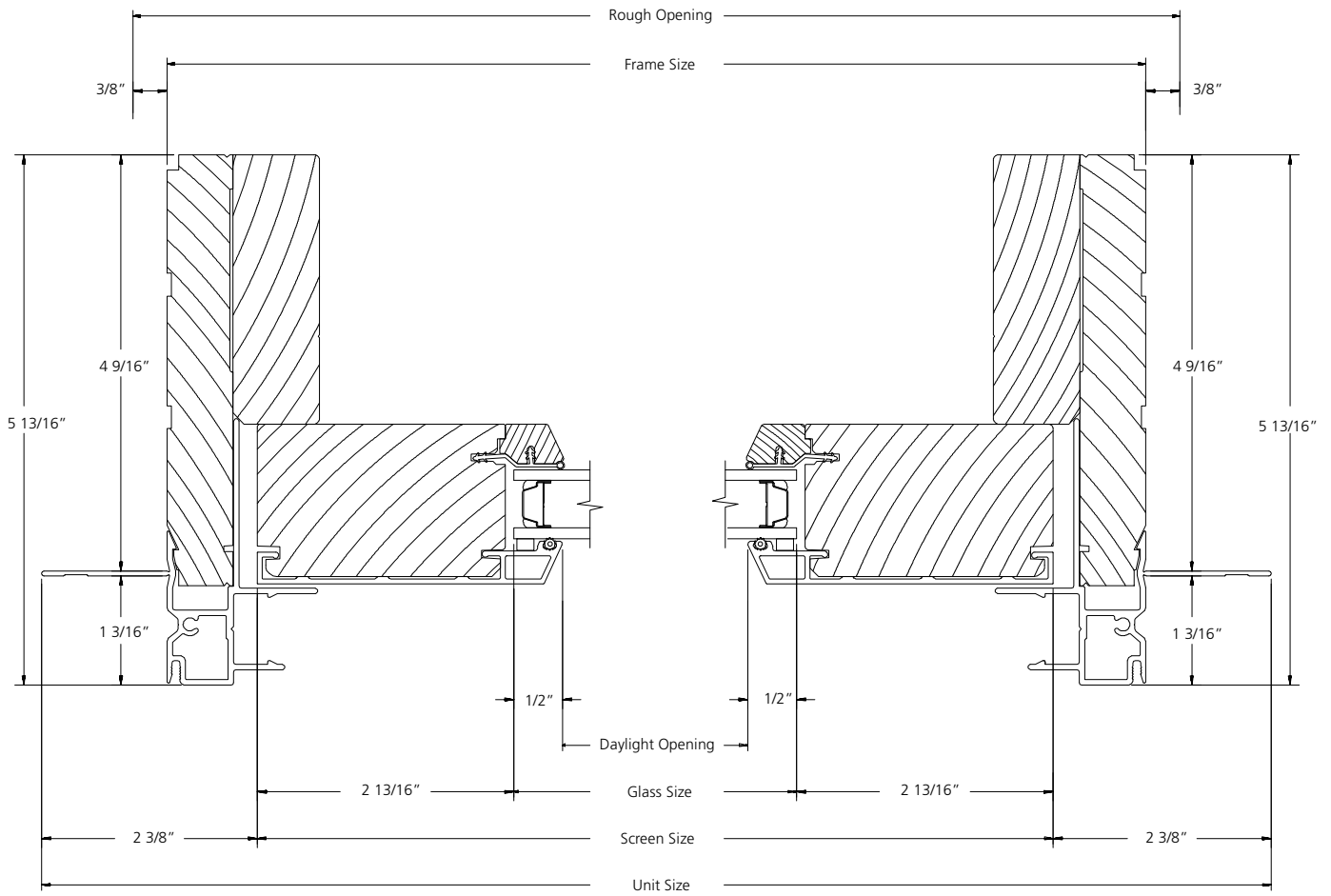
**SIDELIGHT**



**VERTICAL SECTION**

SCALE: 6" = 1'

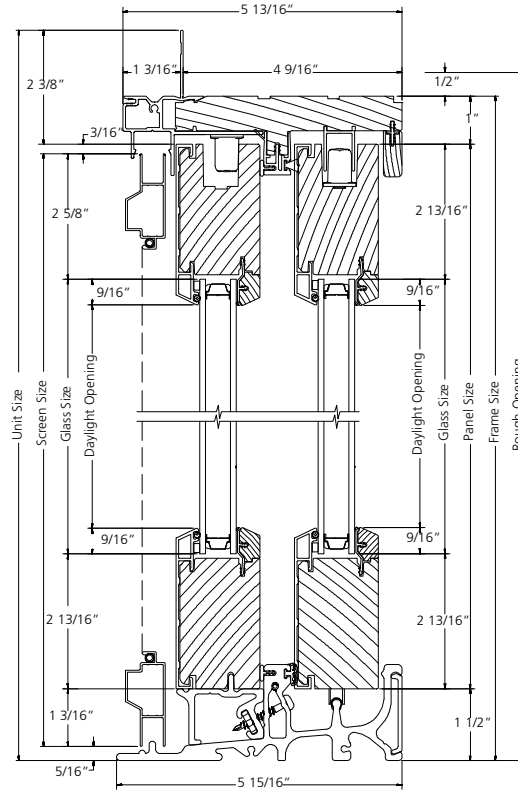
**SIDELIGHT**



**HORIZONTAL SECTION**

SCALE: 6" = 1'

**2-PANEL DOOR**

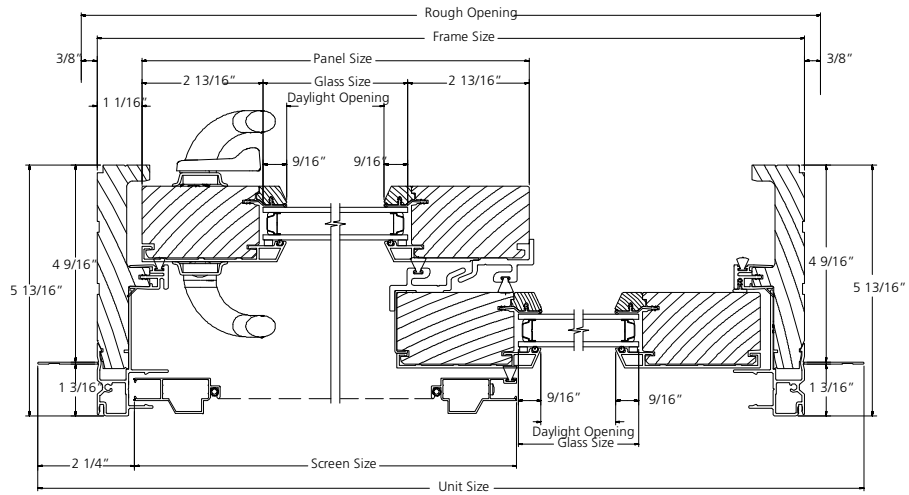


**VERTICAL SECTION**

SCALE: 3" = 1'



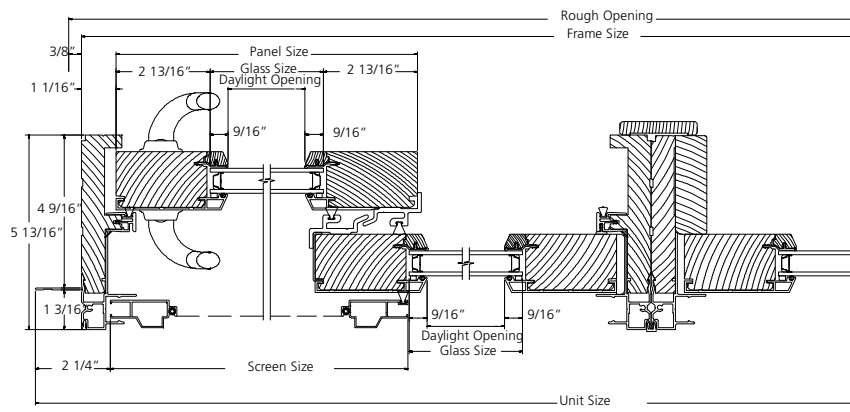
**2-PANEL DOOR**



**HORIZONTAL SECTION**

SCALE: 3" = 1'

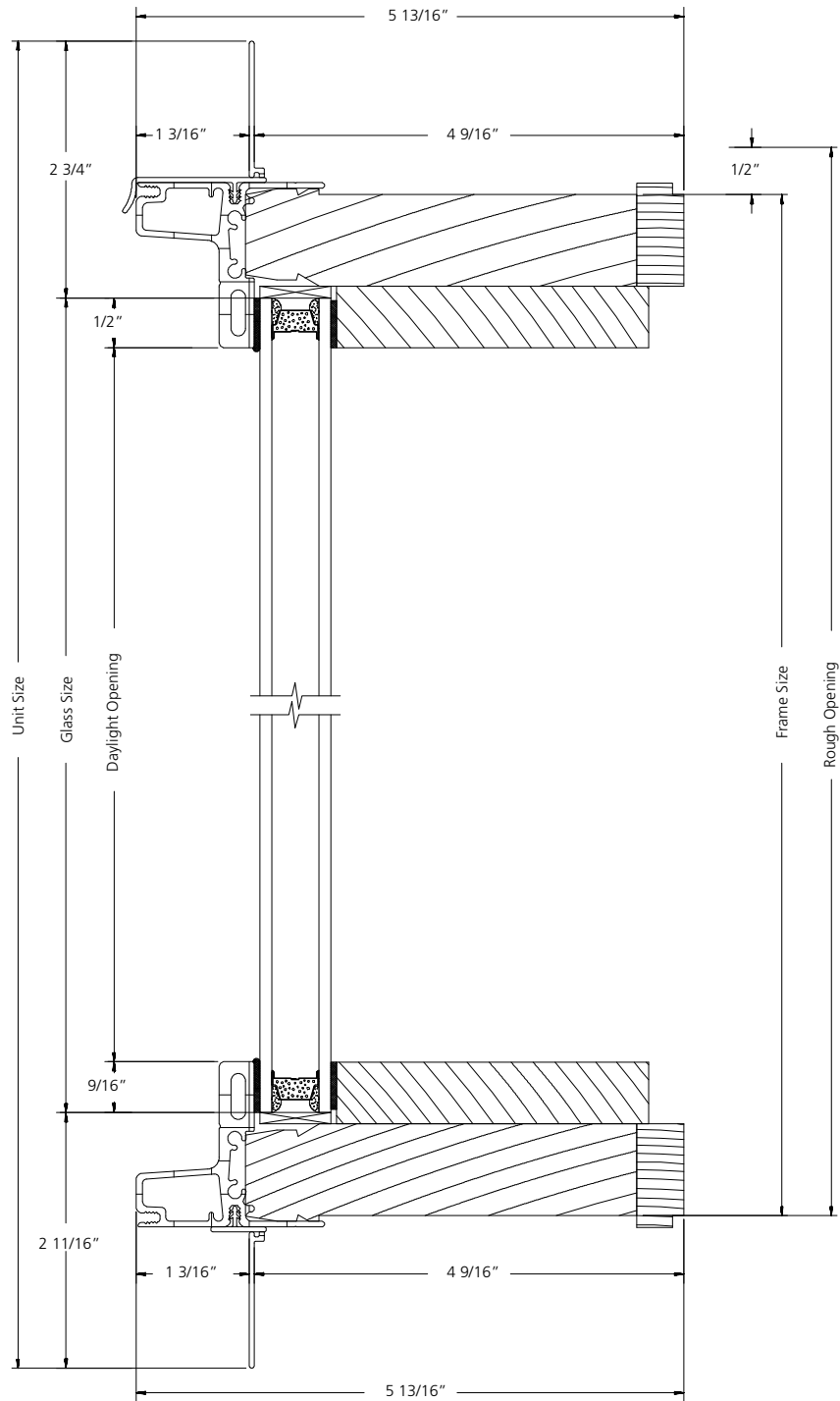
**2-PANEL DOOR WITH SIDELIGHT**



**HORIZONTAL SECTION**

SCALE: 3" = 1'

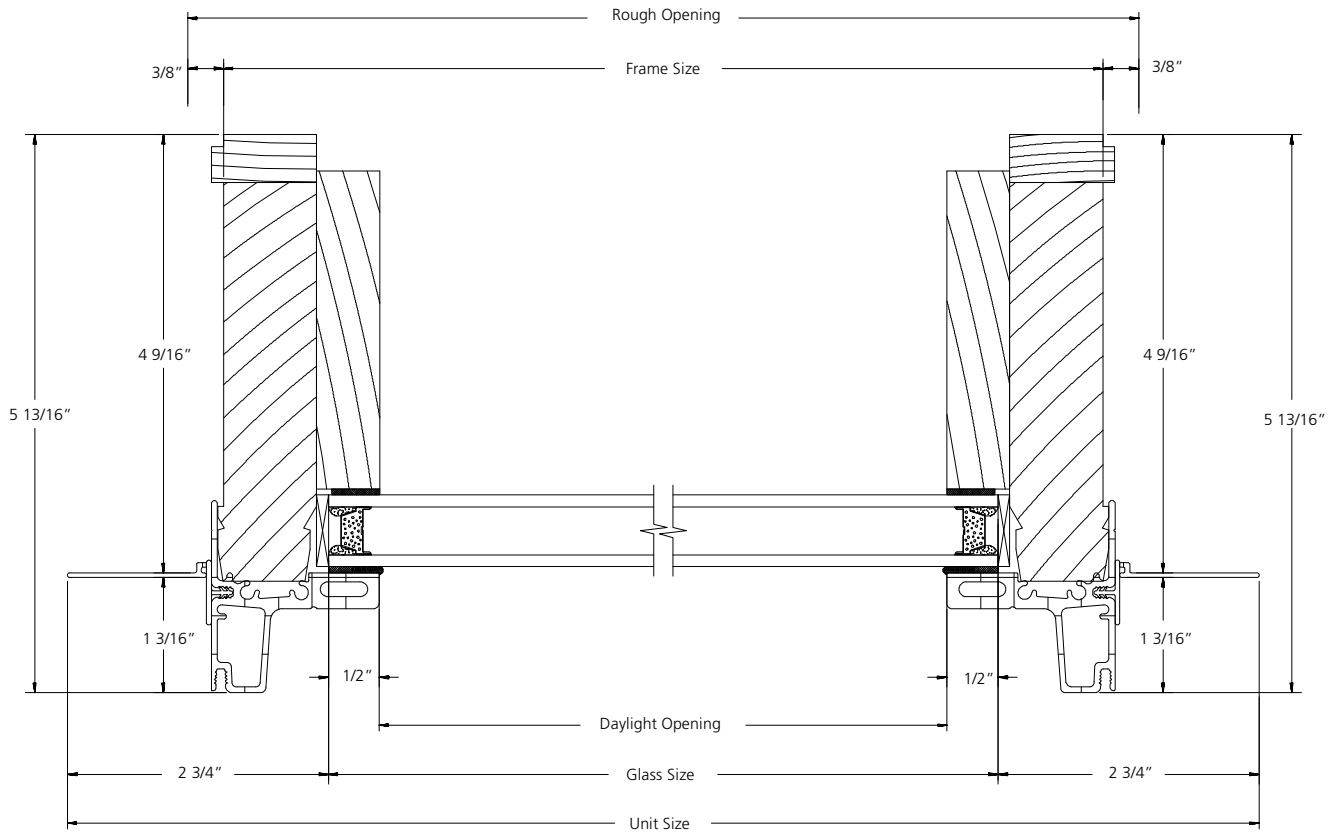
**TRANSOM**



**VERTICAL SECTION**

SCALE: 6" = 1'

**TRANSOM**



**HORIZONTAL SECTION**

SCALE: 6" = 1'