



Molded Interior Door
Rockport

Product Detail Sheets

Table of Contents

Construction Details..... 3

6' - 8" Standard Doors

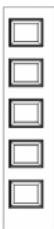


5-Panel
1' - 6" thru 1' - 8"
.....pg. 4



5-Panel
2' - 0" thru 3' - 0"
.....pg. 5

6' - 8" Bi-Fold Doors



5-Panel Bi-Fold
1' - 0" thru 1' - 6"
.....pg. 6

7' - 0" Standard Doors



5-Panel
1' - 6" thru 1' - 8"
.....pg. 7



5-Panel
2' - 0" thru 3' - 0"
.....pg. 8



Molded Interior Door Rockport

Product Detail Sheets Table of Contents

7'- 0" Bi-Fold Doors



5-Panel Bi-Fold

1'- 0" thru 1'- 6"

.....pg. 9

8'- 0" Standard Doors



6-Panel

1'-6" thru 1'- 8"

.....pg. 10



6-Panel

2'-0" thru 3'- 0"

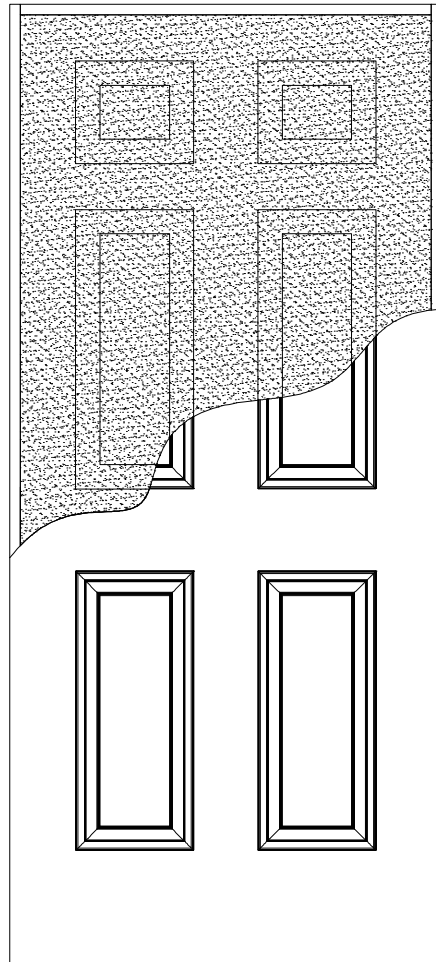
.....pg. 11

© 2012JELD-WEN, inc. ALL RIGHTS RESERVED.
NO DUPLICATION OR DISTRIBUTION PERMITTED.
JELD-WEN, inc. CONFIDENTIAL AND PROPRIETARY.

**SOLID PARTICLEBOARD CORE -
COMBINATION WOOD / MDF OR
ALL-WOOD FRAME**

1 3/8" DOOR
1 3/4" DOOR

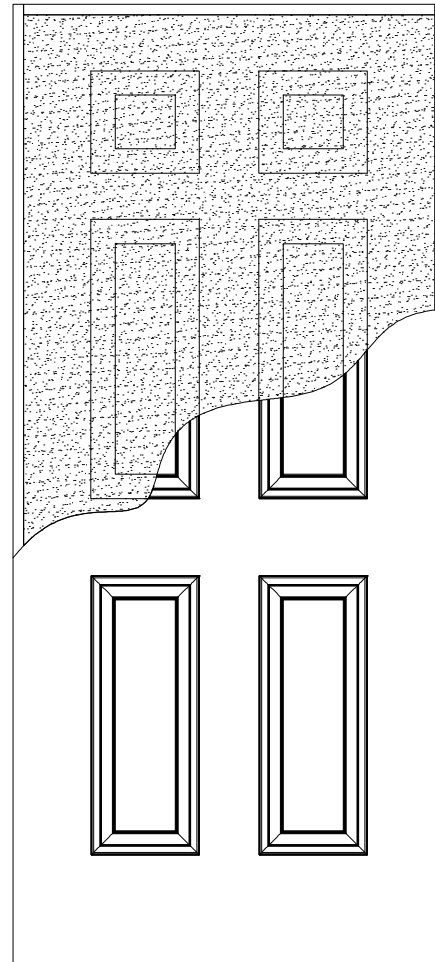
20-MINUTE FIRE RATING AVAILABLE
OR 1 3/4" UP TO 3'-0" x 8'-0"



**WIDE STILE WITH SOLID
PARTICLEBOARD CORE -
WOOD FRAME**

1 3/4" DOOR

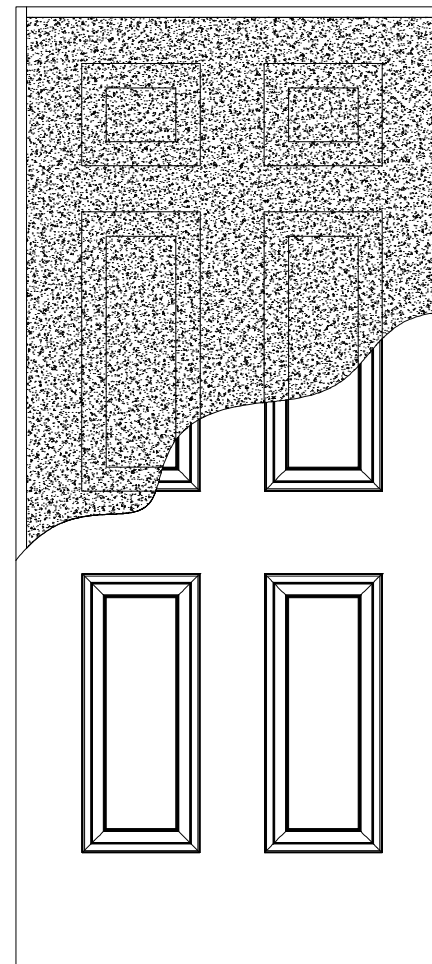
20-MINUTE FIRE RATING



**SOLID MINERAL CORE -
ALL-WOOD FRAME**

1 3/4" DOOR

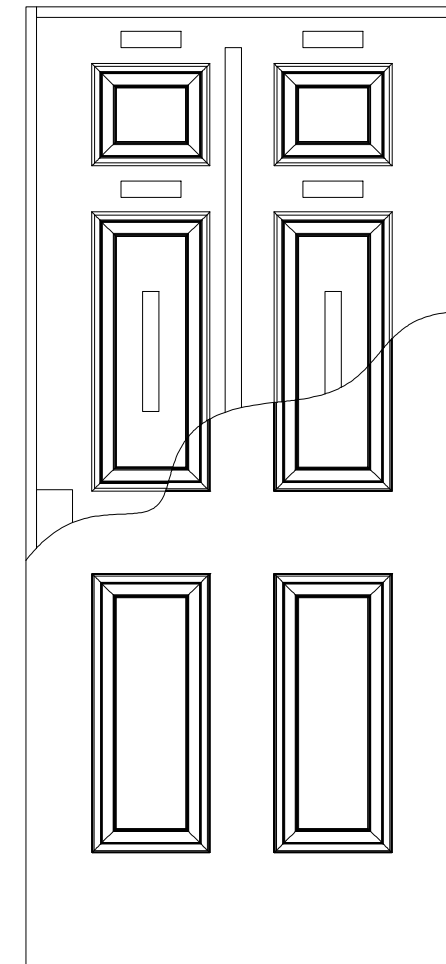
45- OR 60- MINUTE FIRE RATINGS UP TO 3'-0" x 8'-0",
MANUFACTURED TO THE CURRENT
GEORGIA-PACIFIC OR MARSHFIELD DOOR SYSTEMS
SPECIFICATIONS



**HOLLOW CORE -
MDF FRAME**

1 3/8" DOOR

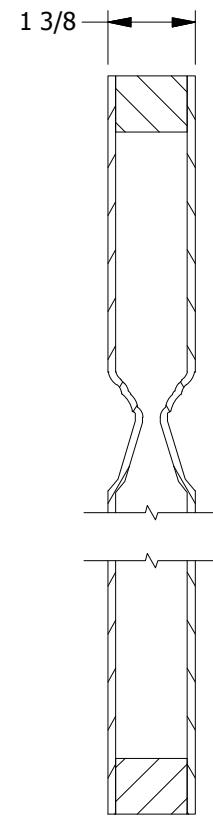
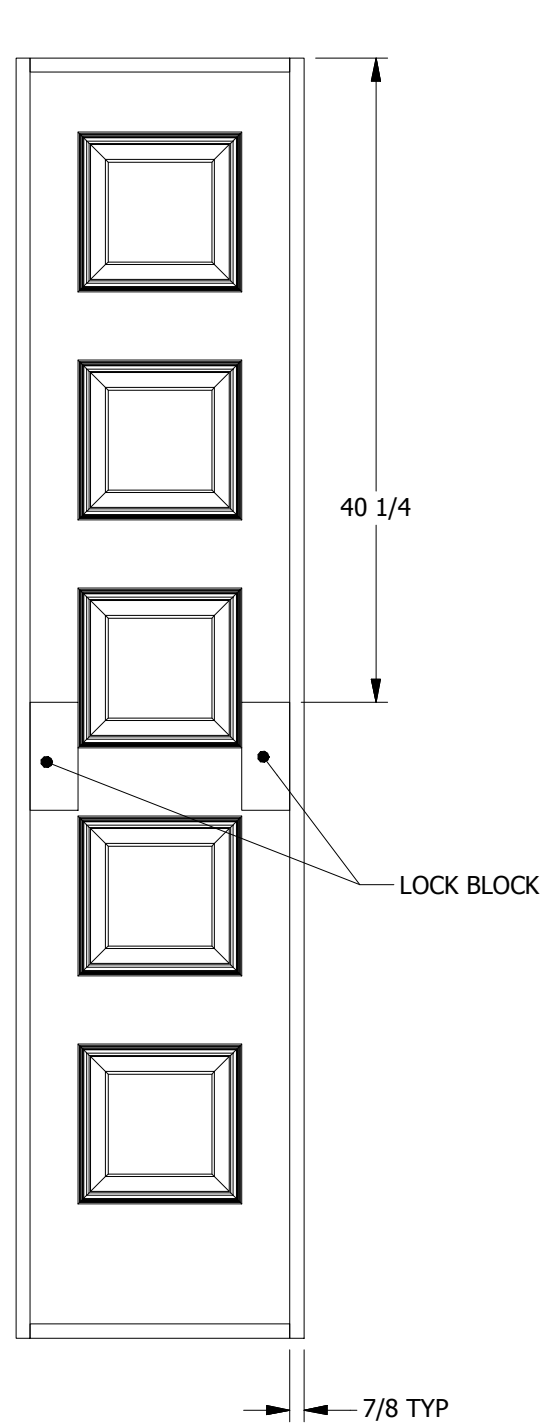
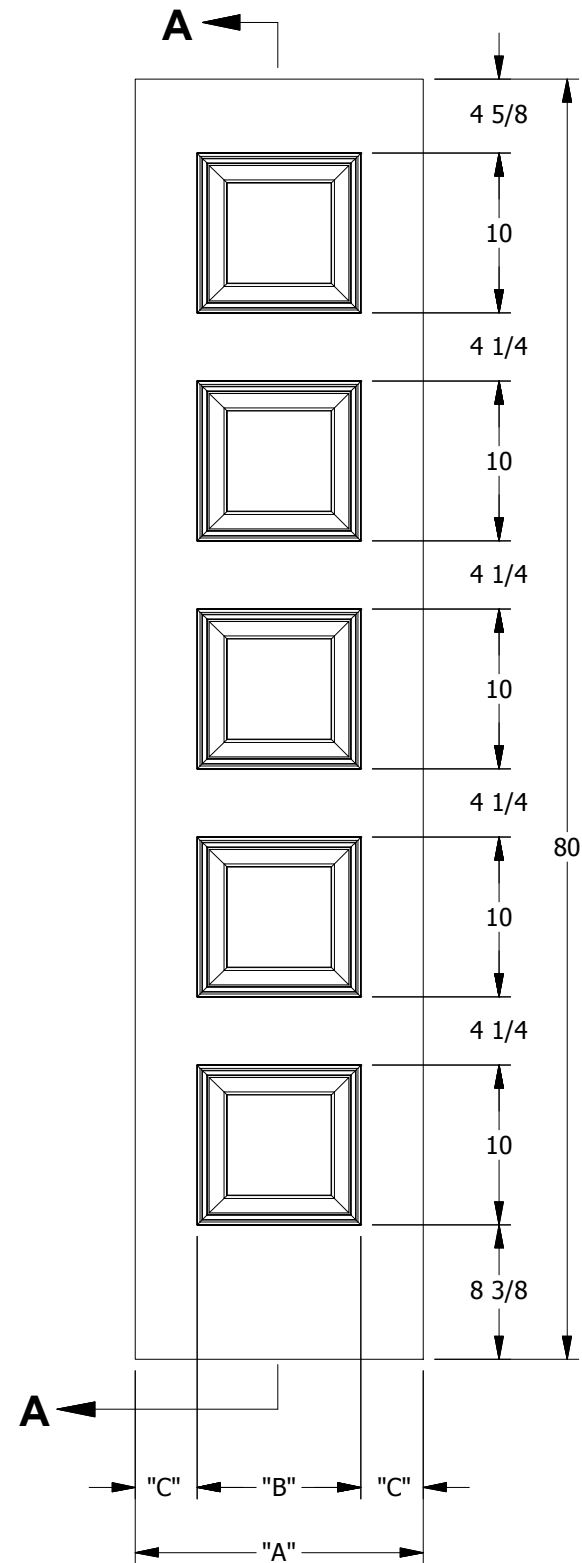
BLOCKING BEHIND PANELS FOR SUPPORT*



* HOLLOW CORE CONSTRUCTION MAY VARY BY REGION.

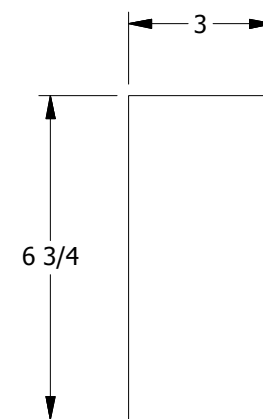
CREATION DATE: 1/6/2012		3737 Lakeport Blvd. Klamath Falls, OR 97601 Phone: (800) 441-3884 www.jeld-wen.com
REV. DATE:		
TITLE: MOLDED DOOR CONSTRUCTION DETAILS		
DESCRIPTION: CORE OPTIONS		

© 2012 JELD-WEN, inc. ALL RIGHTS RESERVED.
NO DUPLICATION OR DISTRIBUTION PERMITTED.
JELD-WEN, inc. CONFIDENTIAL AND PROPRIETARY.



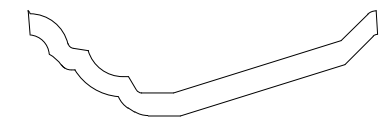
DIMENSION TABLE			
DOOR SIZE	"A"	"B"	"C"
1'-6" x 6'-8"	18"	10 1/4"	3 7/8"
1'-8" x 6'-8"	20"	10 1/4"	4 7/8"

SECTION A-A



LOCK BLOCK LOCATION
DOOR SKIN REMOVED

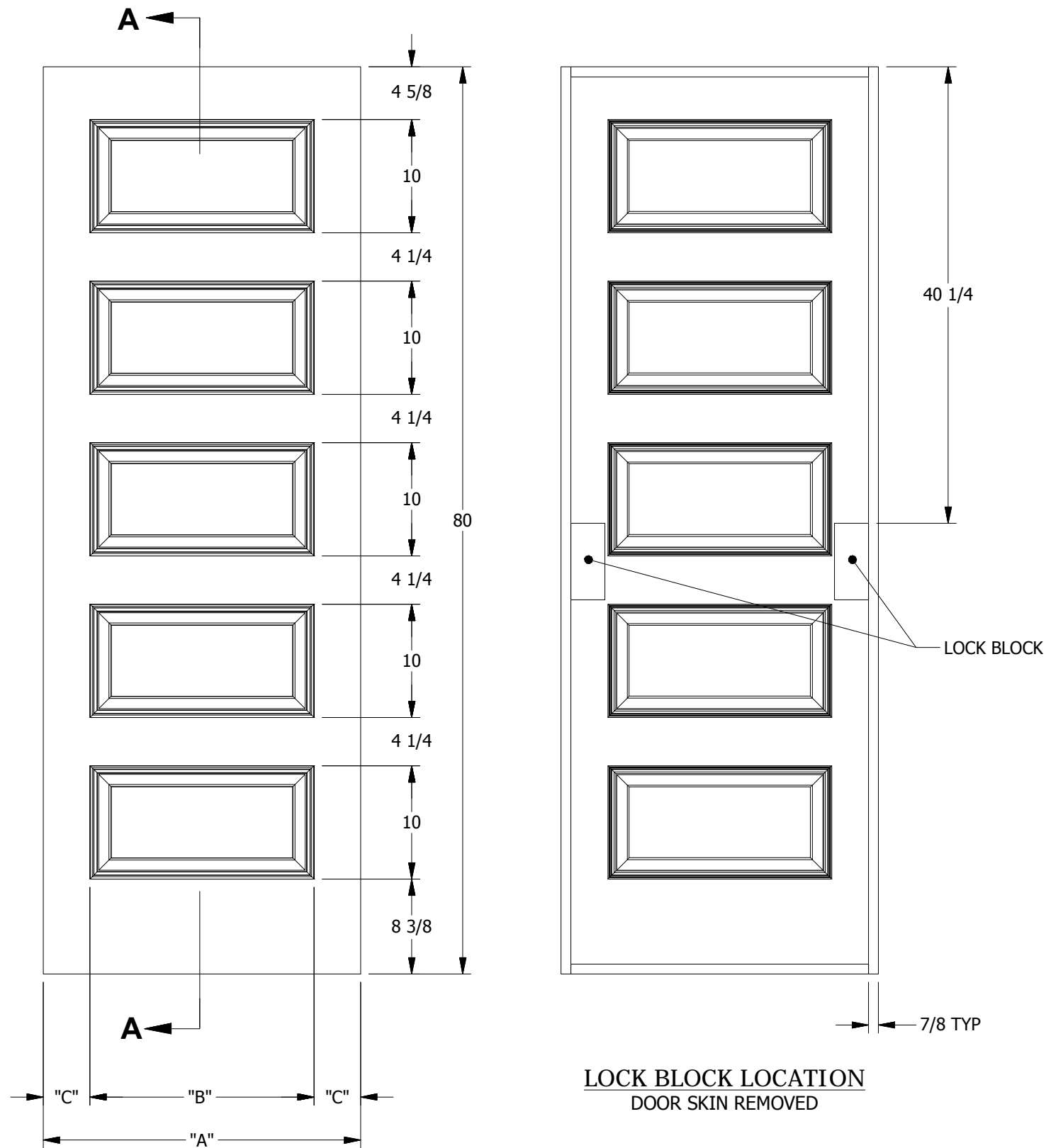
LOCK BLOCK
DETAIL



PANEL PROFILE :
MODIFIED COVE & BEAD STICKING

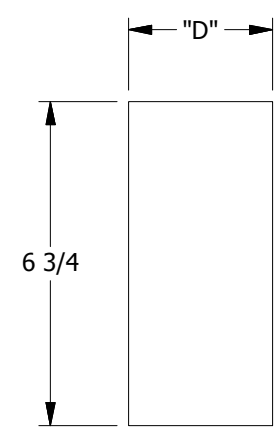
CREATION DATE: 2/6/2012		3737 Lakeport Blvd. Klamath Falls, OR 97601 Phone: (800) 441-3884 www.jeld-wen.com
REV. DATE:		
TITLE:	MOLDED INTERIOR DOOR	
DESCRIPTION:	ROCKPORT SMOOTH 6'-8" 1'-6", 1'-8"	

© 2012 JELD-WEN, inc. ALL RIGHTS RESERVED.
NO DUPLICATION OR DISTRIBUTION PERMITTED.
JELD-WEN, inc. CONFIDENTIAL AND PROPRIETARY.

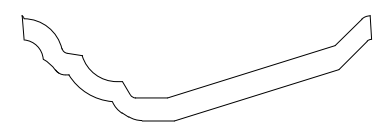


DIMENSION TABLE				
DOOR SIZE	"A"	"B"	"C"	"D"
2'-0" x 6'-8"	24"	15 3/4"	4 1/8"	3"
2'-2" x 6'-8"	26"	19 3/4"	3 1/8"	2 1/4"
2'-4" x 6'-8"	28"	19 3/4"	4 1/8"	3"
2'-6" x 6'-8"	30"	21 3/4"	4 1/8"	3"
2'-8" x 6'-8"	32"	23 3/4"	4 1/8"	3"
2'-10" x 6'-8"	34"	25 3/4"	4 1/8"	3"
3'-0" x 6'-8"	36"	25 3/4"	5 1/8"	3"

SECTION A-A



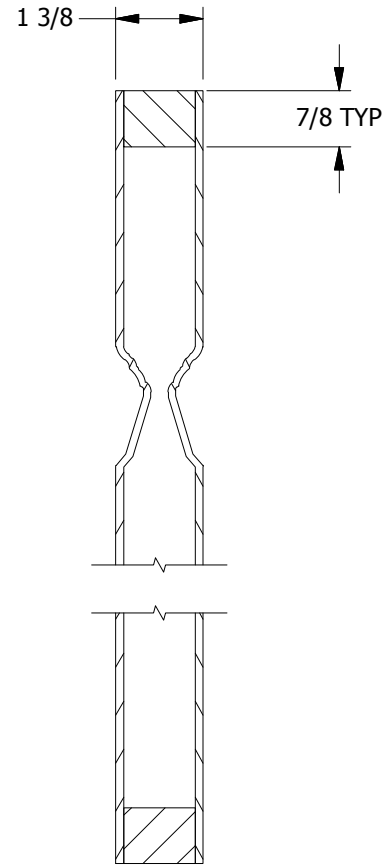
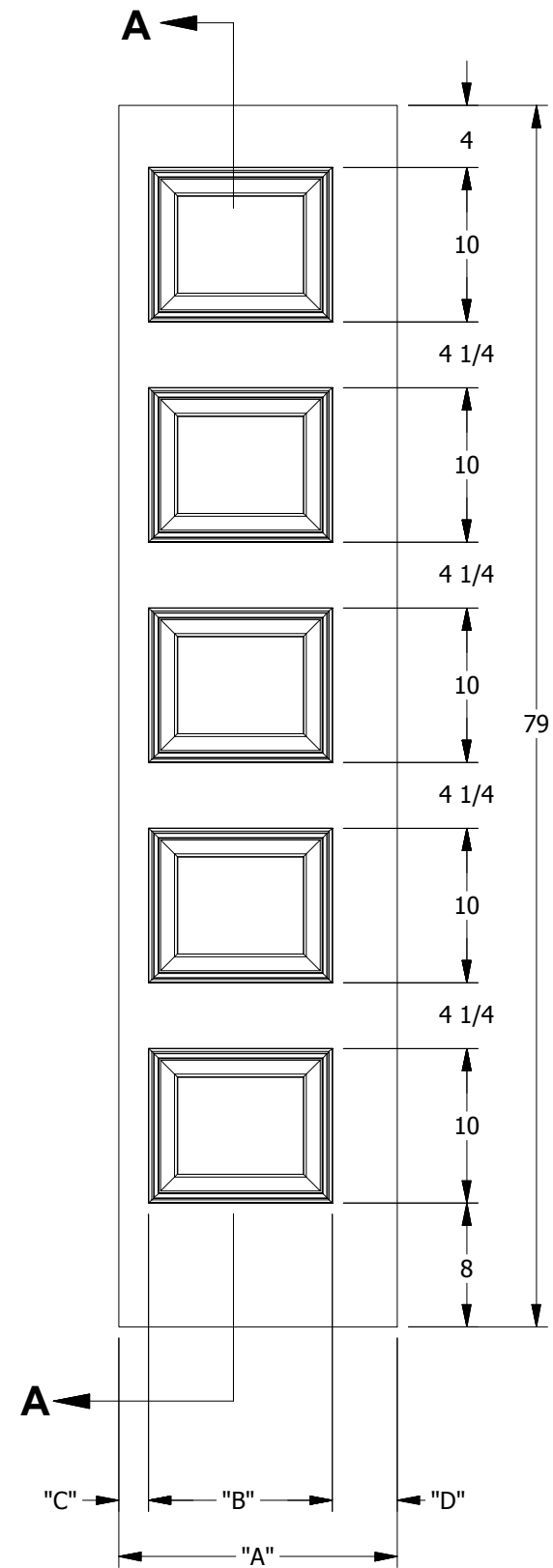
LOCK BLOCK
DETAIL



PANEL PROFILE :
MODIFIED COVE & BEAD STICKING

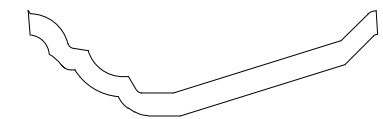
CREATION DATE: 2/6/2012		3737 Lakeport Blvd. Klamath Falls, OR 97601 Phone: (800) 441-3884 www.jeld-wen.com
REV. DATE:		
TITLE:	MOLDED INTERIOR DOOR	
DESCRIPTION:	ROCKPORT SMOOTH 6'-8" 2'-0", 2'-2", 2'-4", 2'-6", 2'-8", 2'-10", 3'-0"	

© 2012 JELD-WEN, inc. ALL RIGHTS RESERVED.
 NO DUPLICATION OR DISTRIBUTION PERMITTED.
 JELD-WEN, inc. CONFIDENTIAL AND PROPRIETARY.



SECTION A-A

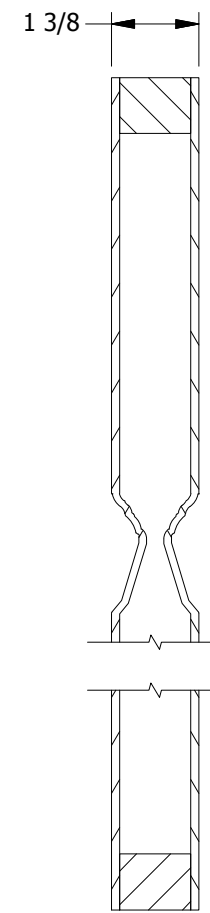
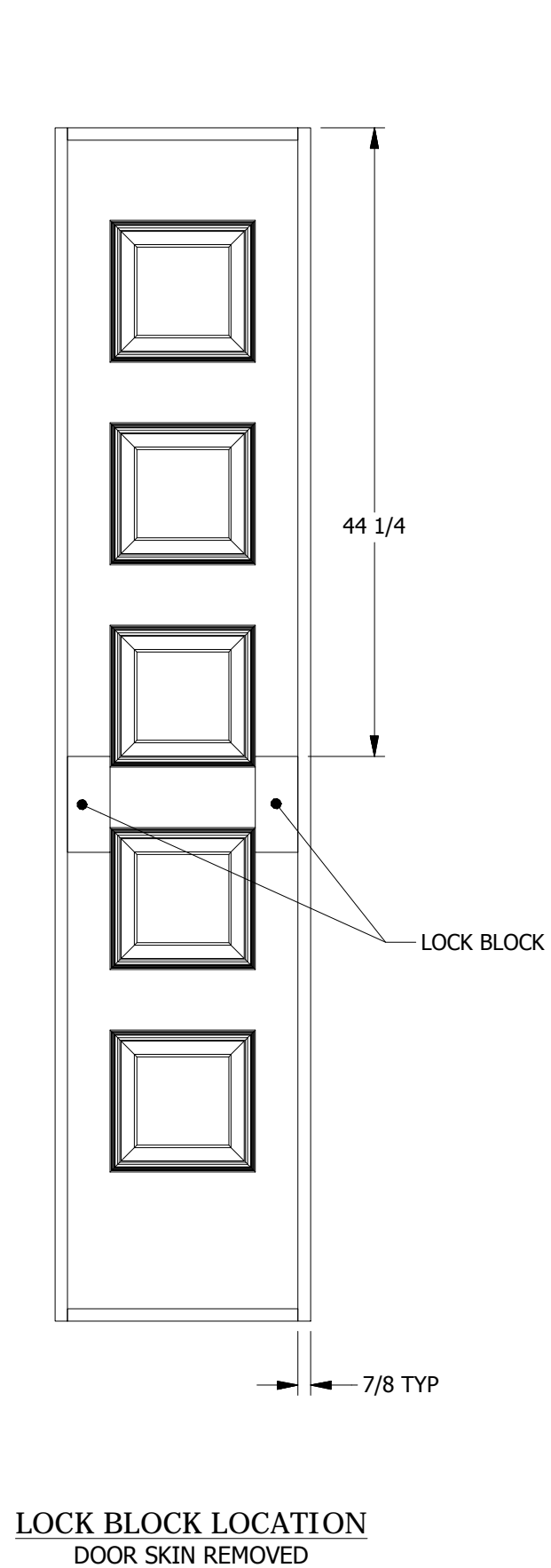
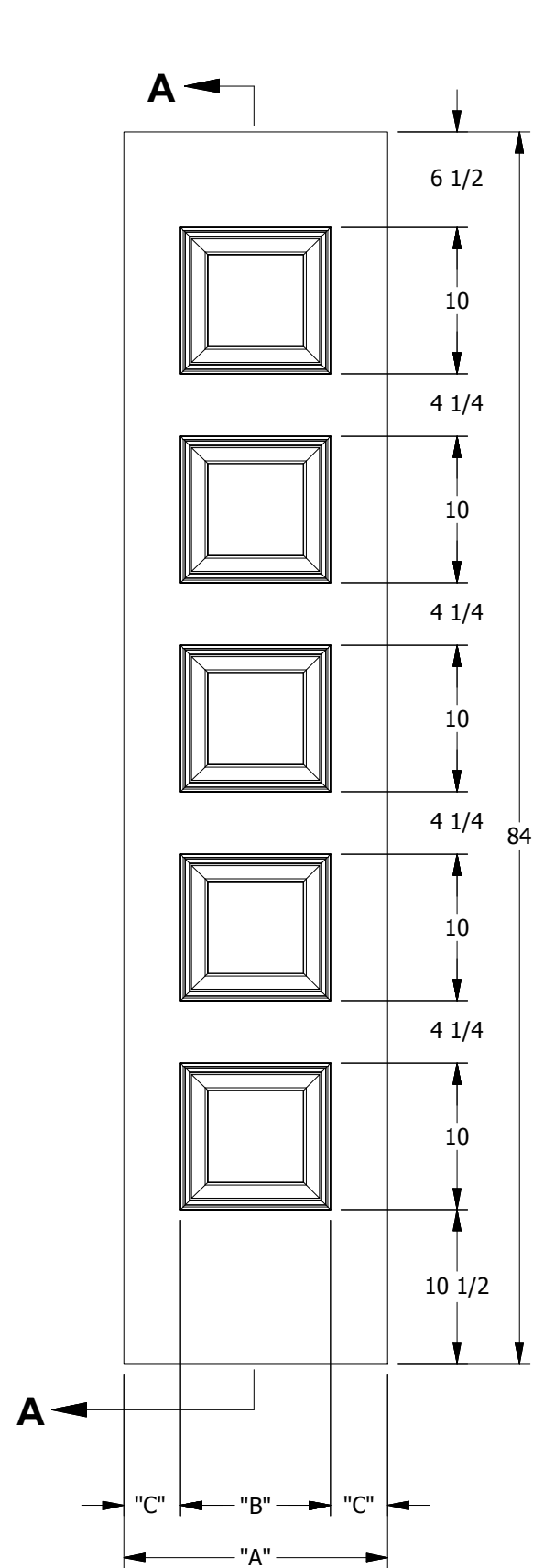
DIMENSION TABLE				
DOOR SIZE	"A"	"B"	"C"	"D"
1'-0" x 6'-8"	12"	5 7/8"	1 15/16"	4 3/16"
1'-2" x 6'-8"	14"	5 7/8"	2 15/16"	5 3/16"
1'-3" x 6'-8"	15"	8 7/8"	1 15/16"	4 3/16"
1'-4" x 6'-8"	16"	8 7/8"	1 15/16"	5 3/16"
1'-6" x 6'-8"	18"	11 7/8"	1 15/16"	4 3/16"



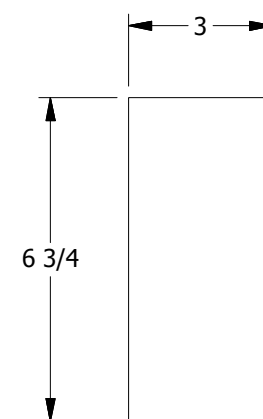
PANEL PROFILE :
 MODIFIED COVE & BEAD STICKING

CREATION DATE: 2/6/2012		3737 Lakeport Blvd. Klamath Falls, OR 97601 Phone: (800) 441-3884 www.jeld-wen.com
REV. DATE:		
TITLE: MOLDED INTERIOR DOOR		
DESCRIPTION: ROCKPORT BI-FOLD SMOOTH 6'-8" 1'-0", 1'-2", 1'-3", 1'-4", 1'-6"		

© 2012 JELD-WEN, inc. ALL RIGHTS RESERVED.
NO DUPLICATION OR DISTRIBUTION PERMITTED.
JELD-WEN, inc. CONFIDENTIAL AND PROPRIETARY.



SECTION A-A



LOCK BLOCK
DETAIL

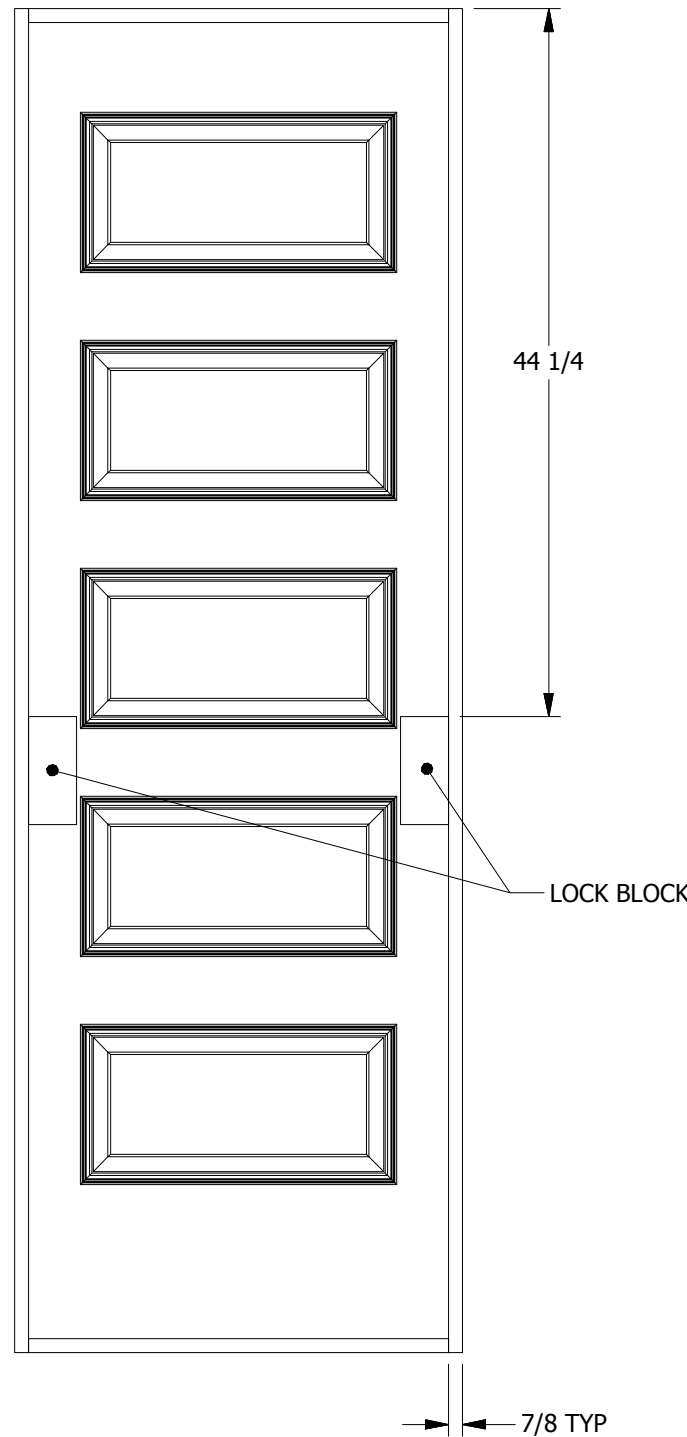
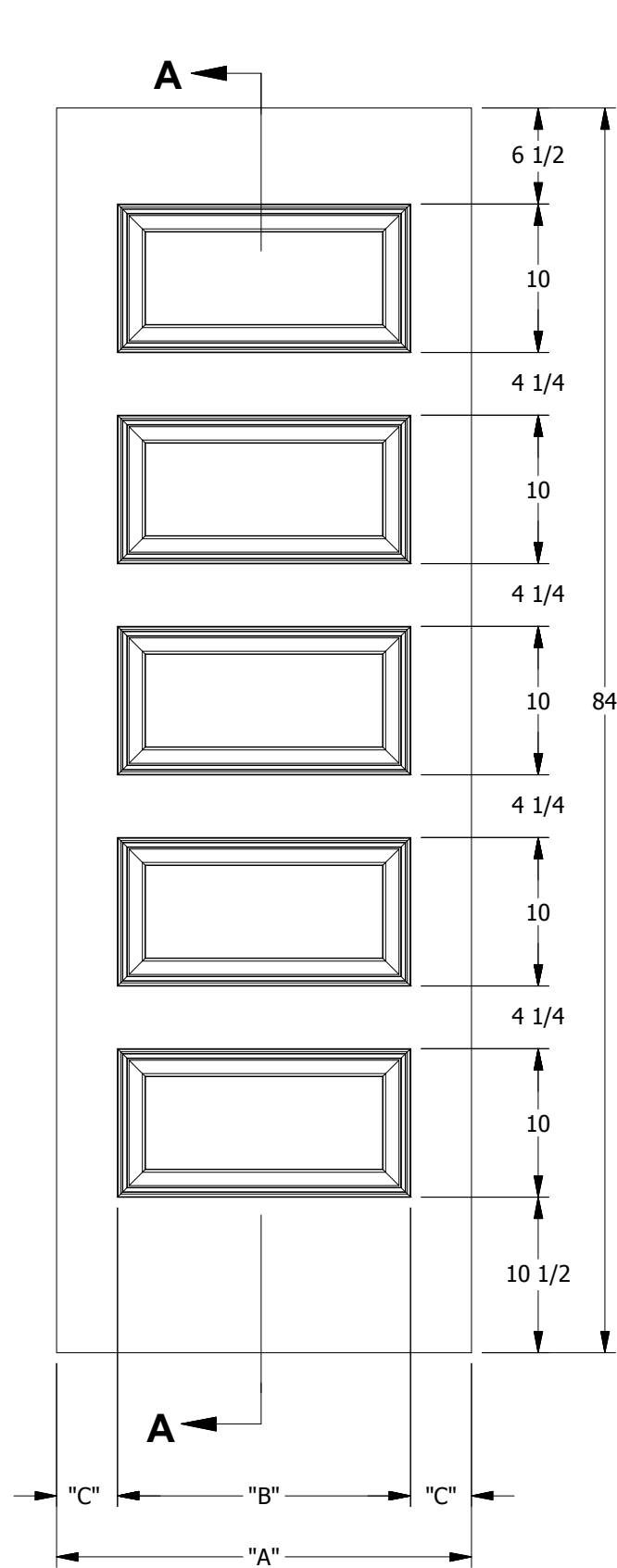
DIMENSION TABLE			
DOOR SIZE	"A"	"B"	"C"
1'-6" x 7'-0"	18"	10 1/4"	3 7/8"
1'-8" x 7'-0"	20"	10 1/4"	4 7/8"



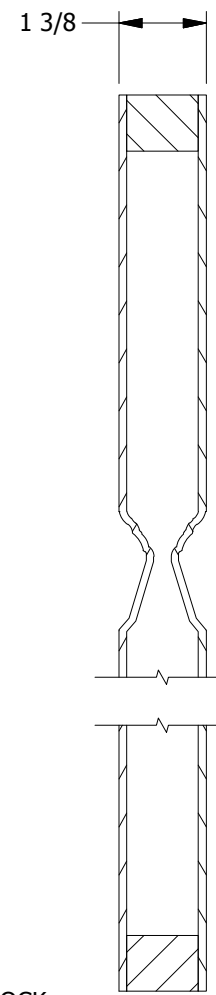
PANEL PROFILE :
MODIFIED COVE & BEAD STICKING

CREATION DATE: 2/6/2012		3737 Lakeport Blvd. Klamath Falls, OR 97601 Phone: (800) 441-3884 www.jeld-wen.com
REV. DATE:		
TITLE:	MOLDED INTERIOR DOOR	
DESCRIPTION:	ROCKPORT SMOOTH 7'-0" 1'-6", 1'-8"	

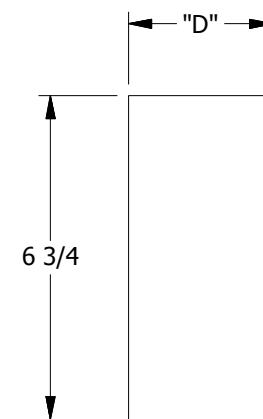
© 2012 JELD-WEN, inc. ALL RIGHTS RESERVED.
NO DUPLICATION OR DISTRIBUTION PERMITTED.
JELD-WEN, inc. CONFIDENTIAL AND PROPRIETARY.



LOCK BLOCK LOCATION
DOOR SKIN REMOVED

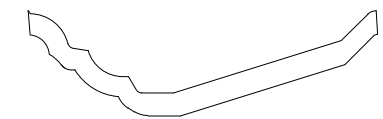


SECTION A-A



LOCK BLOCK
DETAIL

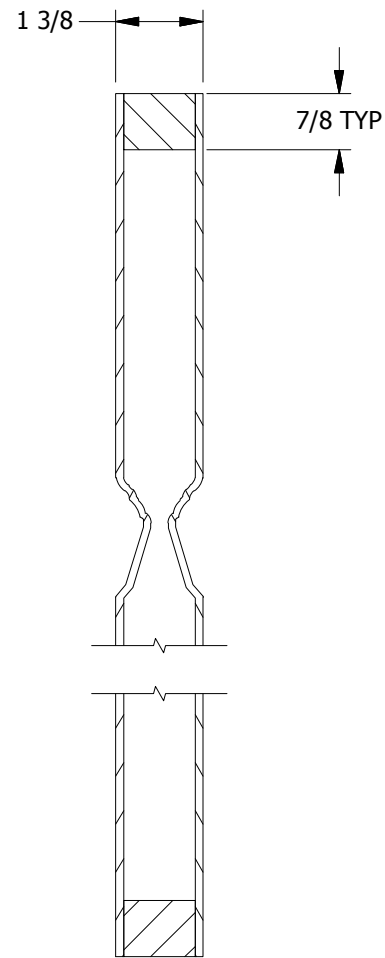
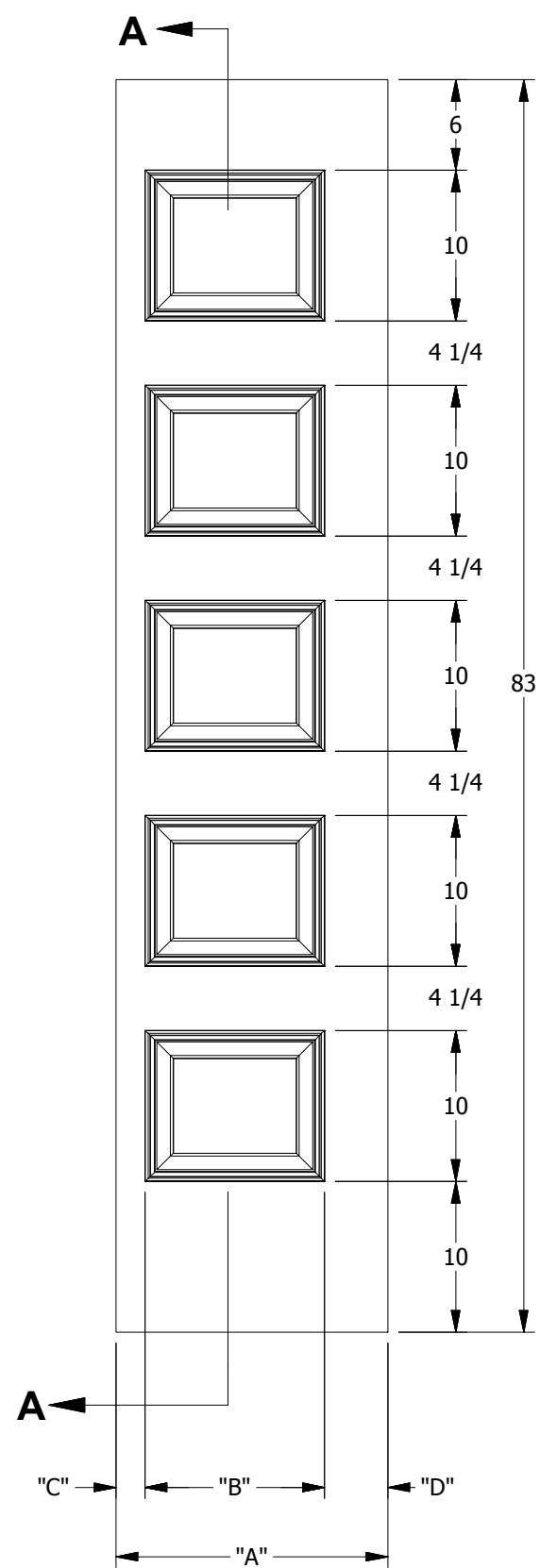
DIMENSION TABLE				
DOOR SIZE	"A"	"B"	"C"	"D"
2'-0" x 7'-0"	24"	15 3/4"	4 1/8"	3"
2'-2" x 7'-0"	26"	19 3/4"	3 1/8"	2 1/4"
2'-4" x 7'-0"	28"	19 3/4"	4 1/8"	3"
2'-6" x 7'-0"	30"	21 3/4"	4 1/8"	3"
2'-8" x 7'-0"	32"	23 3/4"	4 1/8"	3"
2'-10" x 7'-0"	34"	25 3/4"	4 1/8"	3"
3'-0" x 7'-0"	36"	25 3/4"	5 1/8"	3"



PANEL PROFILE :
MODIFIED COVE & BEAD STICKING

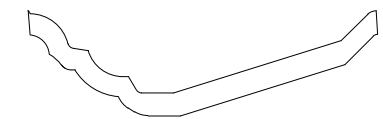
CREATION DATE: 2/6/2012		3737 Lakeport Blvd. Klamath Falls, OR 97601 Phone: (800) 441-3884 www.jeld-wen.com
REV. DATE:		
TITLE:	MOLDED INTERIOR DOOR	
DESCRIPTION:	ROCKPORT SMOOTH 7'-0" 2'-0", 2'-2", 2'-4", 2'-6", 2'-8", 2'-10", 3'-0"	

© 2012 JELD-WEN, inc. ALL RIGHTS RESERVED.
NO DUPLICATION OR DISTRIBUTION PERMITTED.
JELD-WEN, inc. CONFIDENTIAL AND PROPRIETARY.




SECTION A-A

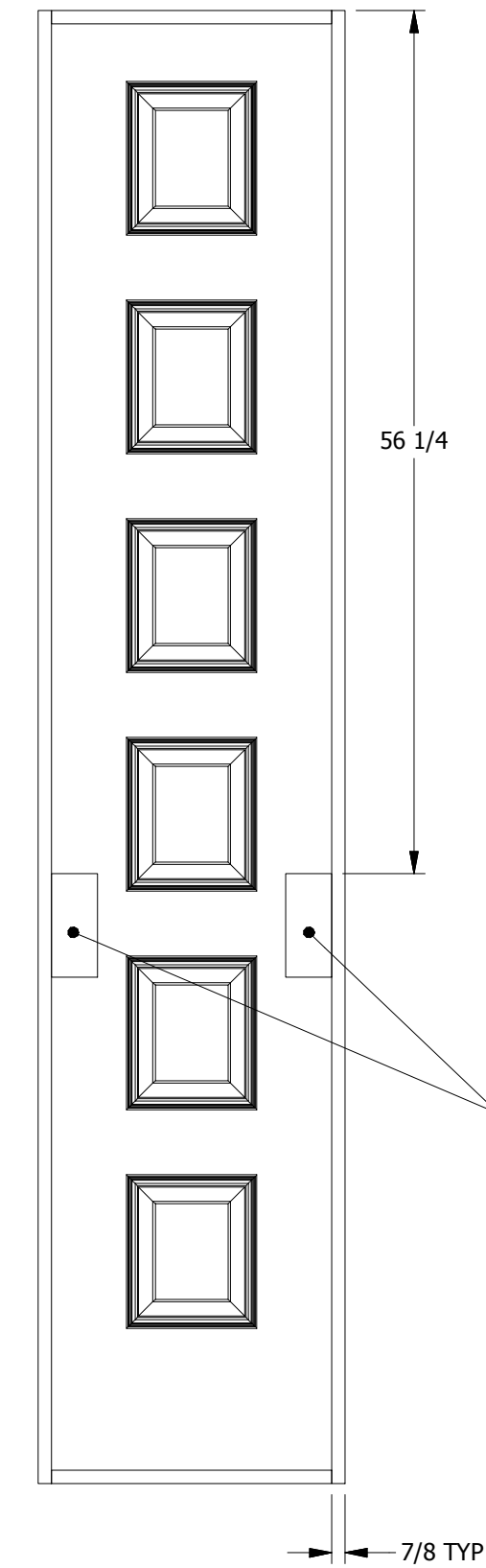
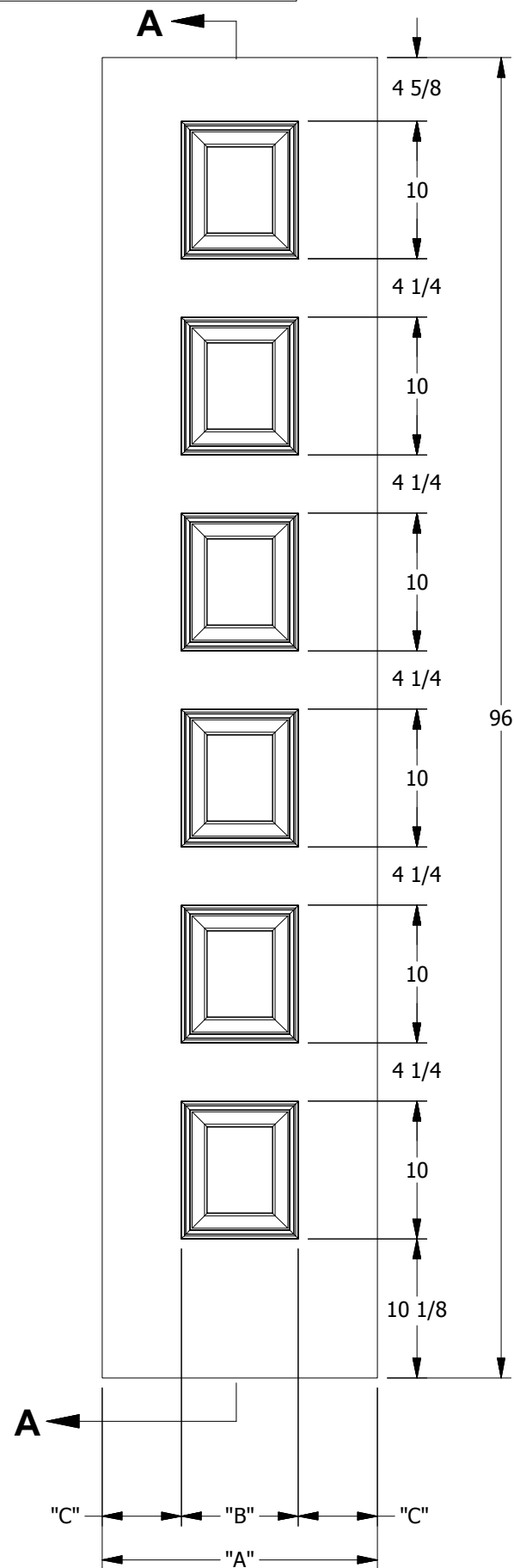
DIMENSION TABLE				
DOOR SIZE	"A"	"B"	"C"	"D"
1'-0" x 7'-0"	12"	5 7/8"	1 15/16"	4 3/16"
1'-2" x 7'-0"	14"	5 7/8"	2 15/16"	5 3/16"
1'-3" x 7'-0"	15"	8 7/8"	1 15/16"	4 3/16"
1'-4" x 7'-0"	16"	8 7/8"	1 15/16"	5 3/16"
1'-6" x 7'-0"	18"	11 7/8"	1 15/16"	4 3/16"



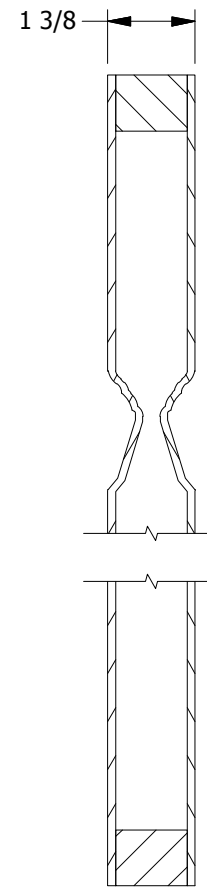
PANEL PROFILE :
MODIFIED COVE & BEAD STICKING

CREATION DATE: 2/6/2012		3737 Lakeport Blvd. Klamath Falls, OR 97601 Phone: (800) 441-3884 www.jeld-wen.com
REV. DATE:		
TITLE: MOLDED INTERIOR DOOR		
DESCRIPTION: ROCKPORT BI-FOLD SMOOTH 7'-0" 1'-0", 1'-2", 1'-3", 1'-4", 1'-6"		

© 2012 JELD-WEN, inc. ALL RIGHTS RESERVED.
NO DUPLICATION OR DISTRIBUTION PERMITTED.
JELD-WEN, inc. CONFIDENTIAL AND PROPRIETARY.

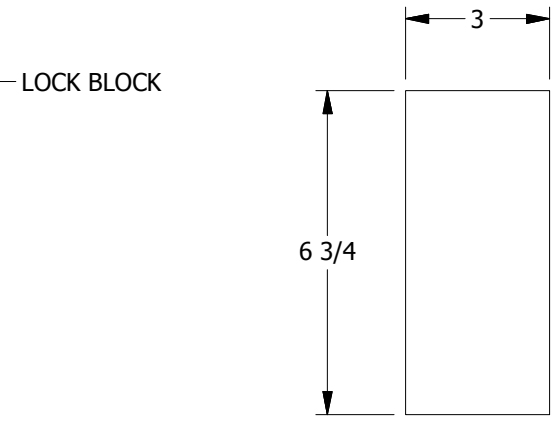


LOCK BLOCK LOCATION
DOOR SKIN REMOVED

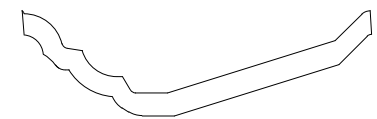


SECTION A-A

DIMENSION TABLE			
DOOR SIZE	"A"	"B"	"C"
1'-6" x 8'-0"	18"	8 1/2"	4 3/4"
1'-8" x 8'-0"	20"	8 1/2"	5 3/4"



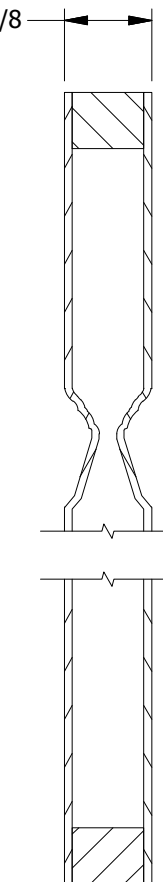
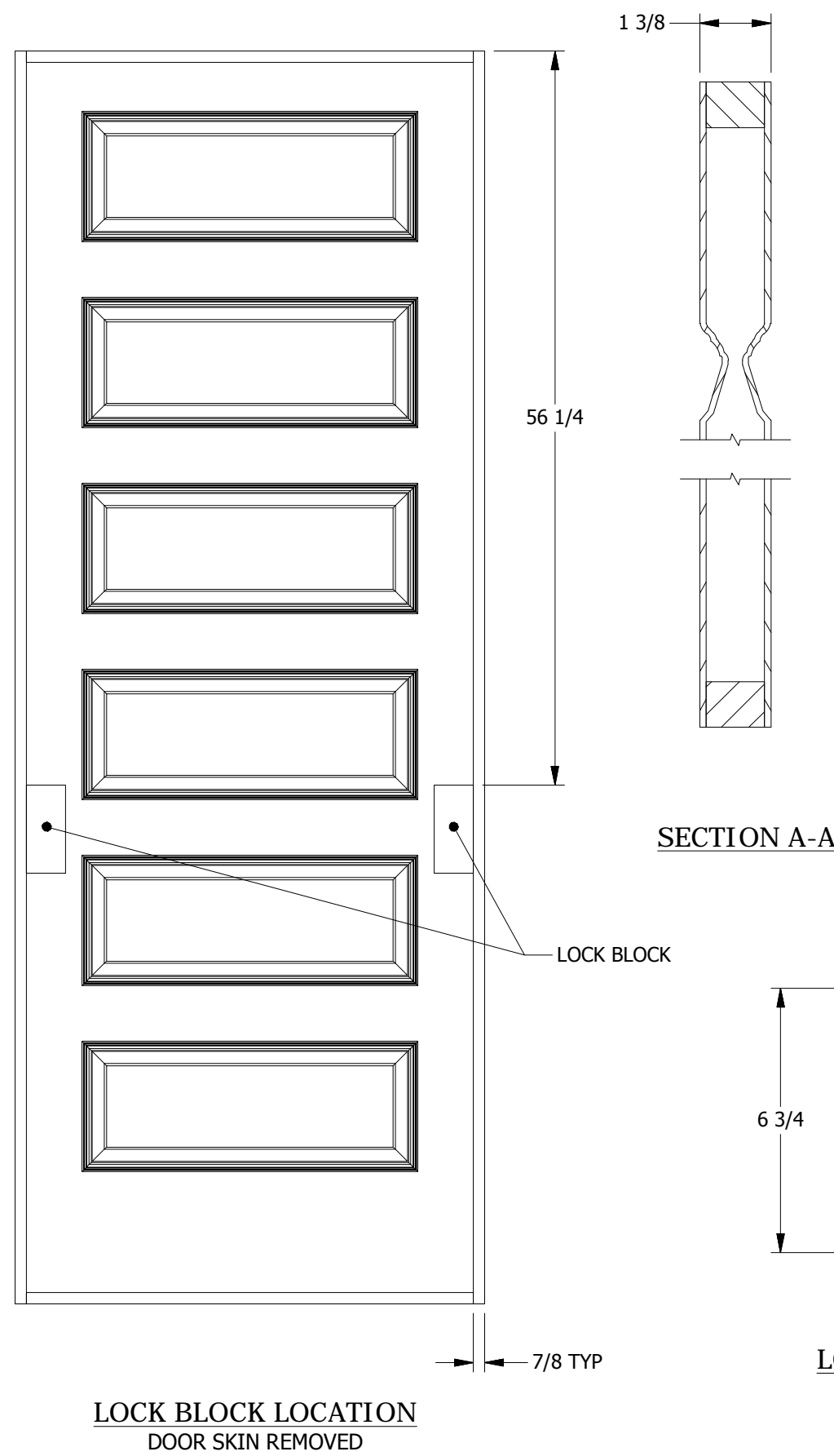
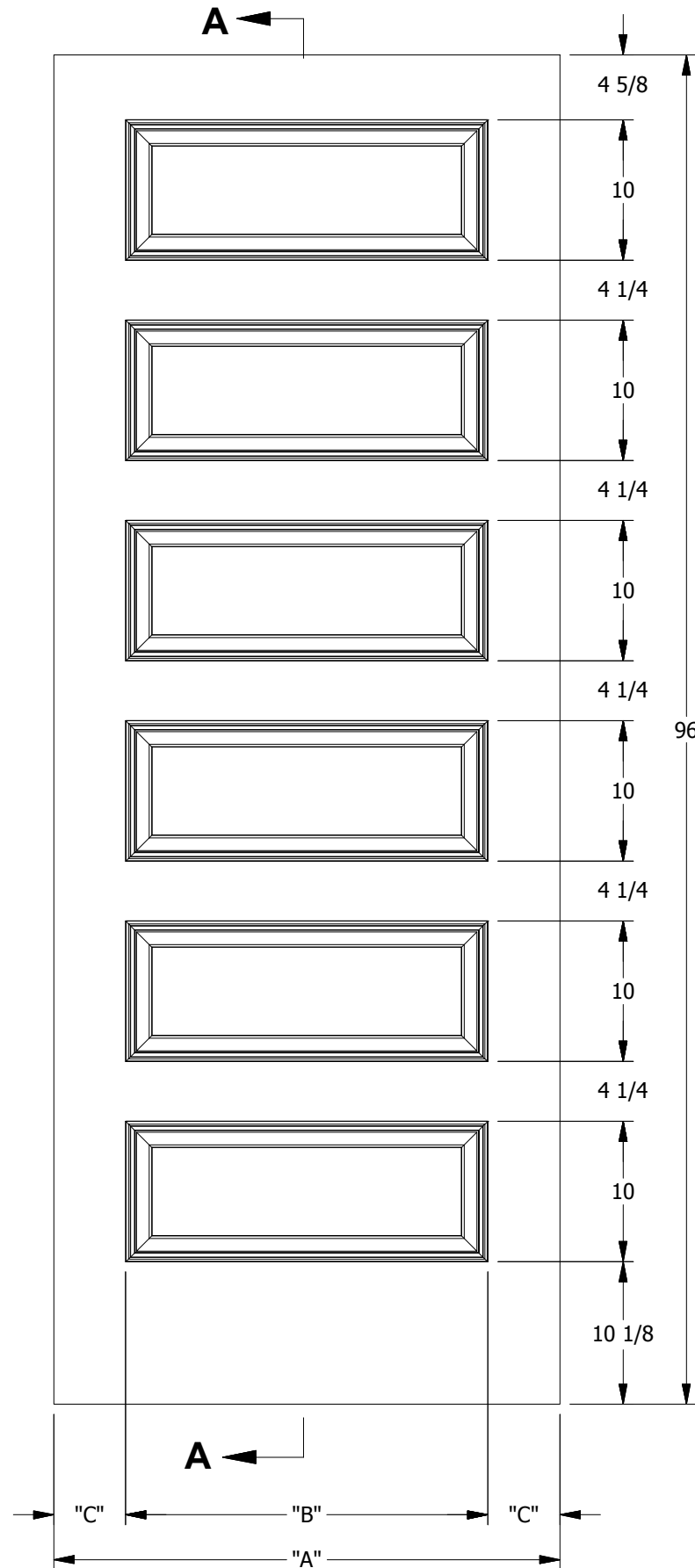
LOCK BLOCK
DETAIL



PANEL PROFILE :
MODIFIED COVE & BEAD STICKING

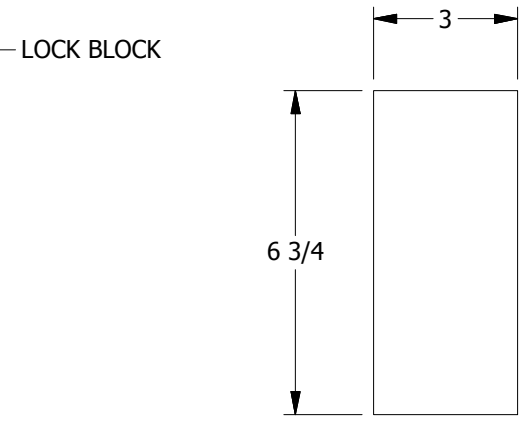
CREATION DATE: 2/6/2012		3737 Lakeport Blvd. Klamath Falls, OR 97601 Phone: (800) 441-3884 www.jeld-wen.com
REV. DATE:		
TITLE:	MOLDED INTERIOR DOOR	
DESCRIPTION:	ROCKPORT SMOOTH 8'-0" 1'-6", 1'-8"	

© 2012 JELD-WEN, inc. ALL RIGHTS RESERVED.
NO DUPLICATION OR DISTRIBUTION PERMITTED.
JELD-WEN, inc. CONFIDENTIAL AND PROPRIETARY.



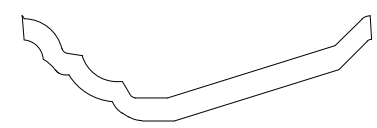
SECTION A-A

DIMENSION TABLE			
DOOR SIZE	"A"	"B"	"C"
2'-0" x 8'-0"	24"	14 1/2"	4 3/4"
2'-2" x 8'-0"	26"	14 1/2"	5 3/4"
2'-4" x 8'-0"	28"	18 1/2"	4 3/4"
2'-6" x 8'-0"	30"	20 1/2"	4 3/4"
2'-8" x 8'-0"	32"	22 1/2"	4 3/4"
2'-10" x 8'-0"	34"	22 1/2"	5 3/4"
3'-0" x 8'-0"	36"	25 3/4"	5 1/8"



LOCK BLOCK DETAIL

LOCK BLOCK LOCATION
DOOR SKIN REMOVED



PANEL PROFILE :
MODIFIED COVE & BEAD STICKING

CREATION DATE: 2/6/2012		3737 Lakeport Blvd. Klamath Falls, OR 97601 Phone: (800) 441-3884 www.jeld-wen.com
REV. DATE:		
TITLE:	MOLDED INTERIOR DOOR	
DESCRIPTION:	ROCKPORT SMOOTH 8'-0" 2'-0", 2'-2", 2'-4", 2'-6", 2'-8", 2'-10", 3'-0"	