



Thank you for selecting JELD-WEN products. Attached are JELD-WEN's recommended installation instructions for 2" Exterior Door Jamb Extension Kits. This kit converts a 4 9/16" jamb to a 6 9/16" jamb.

### KIT INCLUDES:

- 2-Side jamb pieces
- 1-Head jamb piece
- 1-Sill extender

### NEEDED TOOLS:

- Pencil
- Measuring tape
- Saw
- Drill with bits
- Caulking gun
- Putty knife
- Clamps
- Pry bar

### NEEDED MATERIALS:

- # 8 x 2 1/2" deck screws
- Sealant (paintable)
- Wood putty or spackle
- Finishing supplies

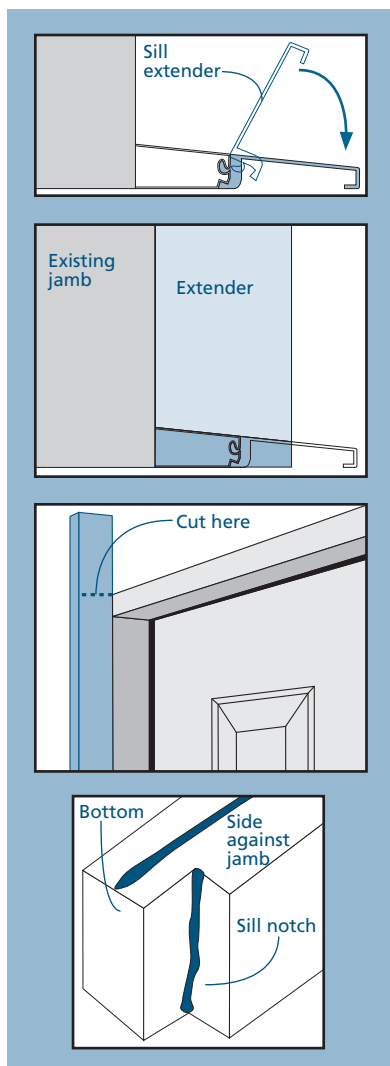
1. Carefully pry or cut off existing brickmould trim from the existing frame if installed.

2. To install the sill extender, tilt the extender up at 45 degree angle to hook onto nose of sill and line up flush with edges. Push the front of extender down and step on the extender to snap it into place.

3. Each side jamb extender is beveled on one end to fit the profile of the sloped sill. There is a right and a left piece. Place against the jamb flush with the inside of the jamb, with the beveled edge on the sill (high side of bevel towards door).

4. Mark the side jamb extenders flush with the top outside edge of jamb as shown and cut to length. Pre-drill a 1/8" hole horizontally centered (or in the kerf (groove) if present) in each extender 1" from each end and 3 more evenly spaced between the first two in each extender.

5. Run a 1/4" bead of sealant along the bottom of the extender where it is notched to contact the sill and up the length of extender that will be against jamb as shown.



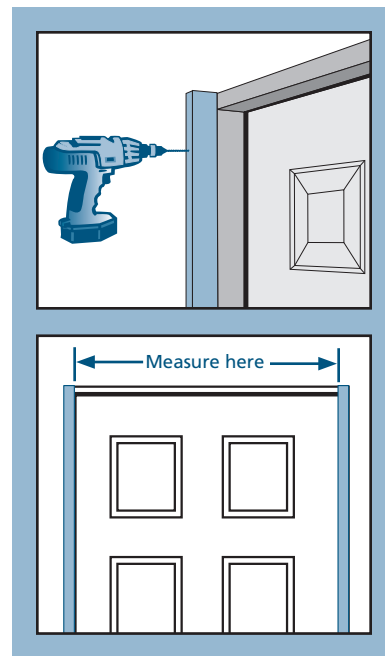
6. Secure the extenders to jamb (clamp in place if necessary) with 2 1/2" deck screws through the previously-drilled holes. Set screw heads 1/4" below surface.

7. Measure the distance between the two side jamb extenders and cut the head extender to length. Pre-drill a 1/8" hole 1" from each end and 1 hole in the center. Apply a 1/4" bead of sealant the length of extender on face that will be against the jamb. Secure to jamb with 2 1/2" deck screws through the pre drilled holes. Set screw heads 1/4" below surface.

8. Fill all holes with wood putty or spackling. Sealant can be applied and smoothed to the joint between the extenders and the existing jamb and sill for a seamless appearance.

9. Run a bead of sealant along the joint where the jamb extenders meet the sill on each end.

10. Finish all exposed wood parts with top quality products.



Please visit [jeld-wen.com/resources](http://jeld-wen.com/resources) for warranty and care and maintenance information.

Thank you for choosing

# JELD-WEN®

WINDOWS & DOORS