

**TABLE OF CONTENTS**

**ADDITIONAL VIEW**

Elevations: 1/8" Scale

W03H	125	225	425
W04H	141	254	461
W15H	170	274	465
W41H	190	302	860
W54H	210	404	870

Decorative Hardware

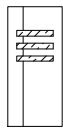
Exterior Casing Options

Exterior/Interior Corner Block Options

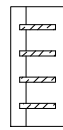
Decorative Glass Options

Section Details

W03H	125	225	425
W04H	141	254	461
W15H	170	274	465
W41H	190	302	860
W54H	210	404	870



W03H



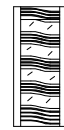
W04H



W15H



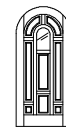
W41H



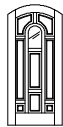
W54H



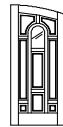
125



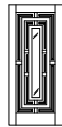
125  
RADIUS



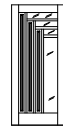
125  
SEGMENT



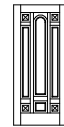
125  
HALF SEGMENT



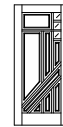
141



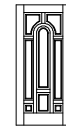
170



190



210



225



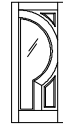
225  
RADIUS



225  
SEGMENT



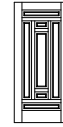
225  
HALF SEGMENT



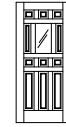
254



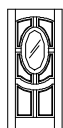
274



302



404



425



425  
RADIUS



425  
SEGMENT



425  
HALF SEGMENT



461



465



860



870

### ELEVATION NOTES

Door Size = Book Size Before Prefit  
 Daylight Opening (DLO) = Visible Glass  
 Values in brackets [ ] are millimeter conversions.

### DOOR CROSS-SECTION

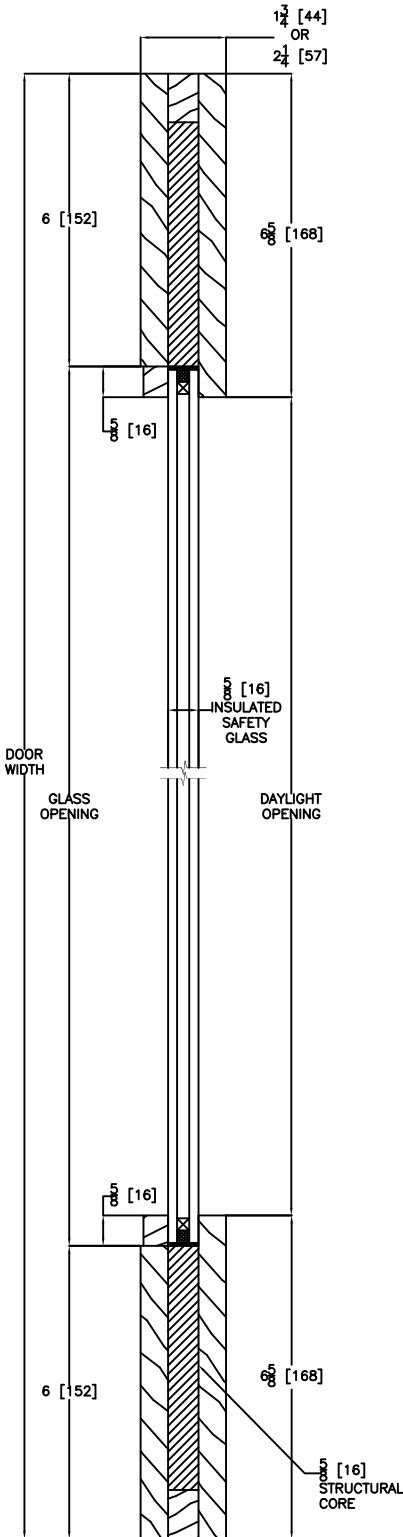
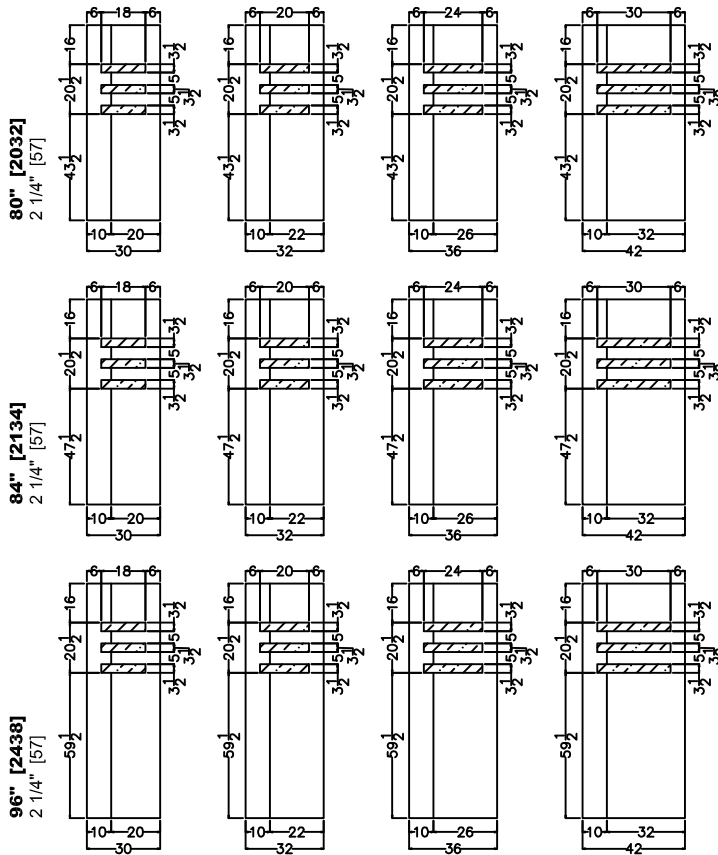
**Door Size**  
 Daylight Opening

**30" [762]**  
 16 3/4" [425]

**32" [813]**  
 18 3/4" [476]

**36" [914]**  
 22 3/4" [578]

**42" [1067]**  
 28 3/4" [730]

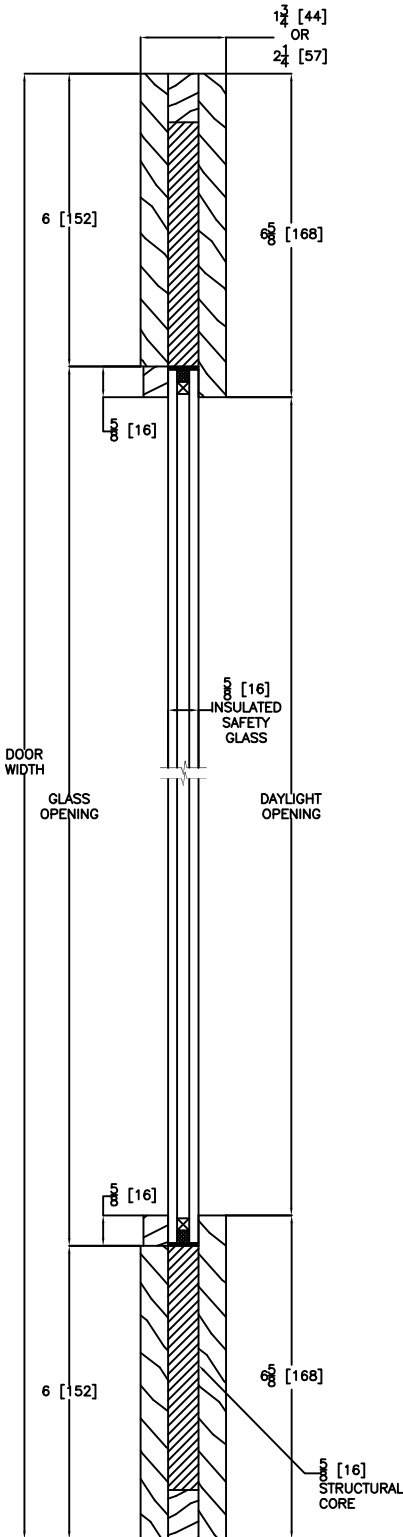
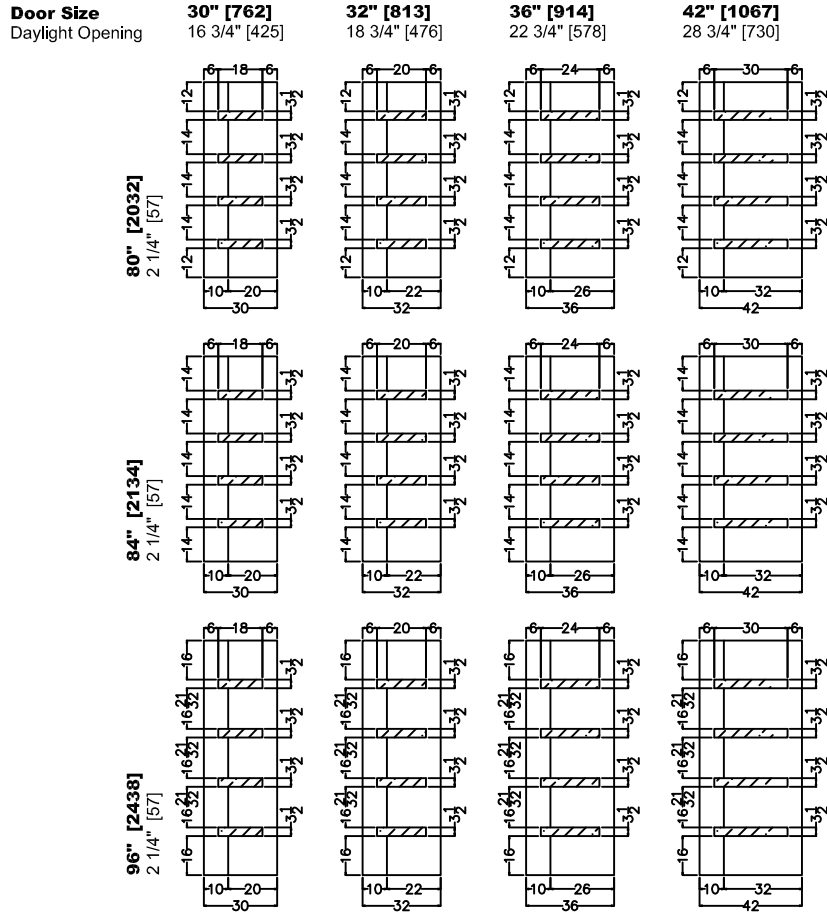


HORIZONTAL DOOR CROSS SECTION

### ELEVATION NOTES

Door Size = Book Size Before Prefit  
 Daylight Opening (DLO) = Visible Glass  
 Values in brackets [ ] are millimeter conversions.

### DOOR CROSS-SECTION

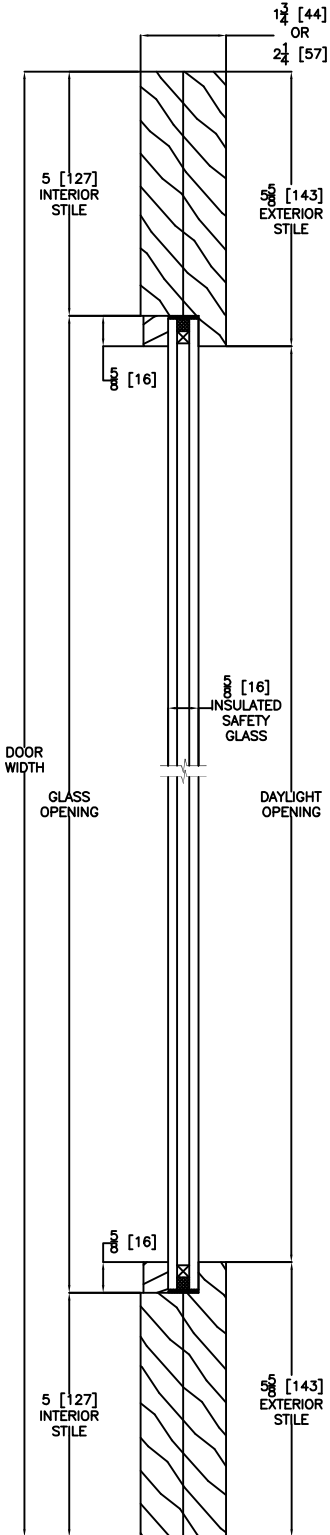
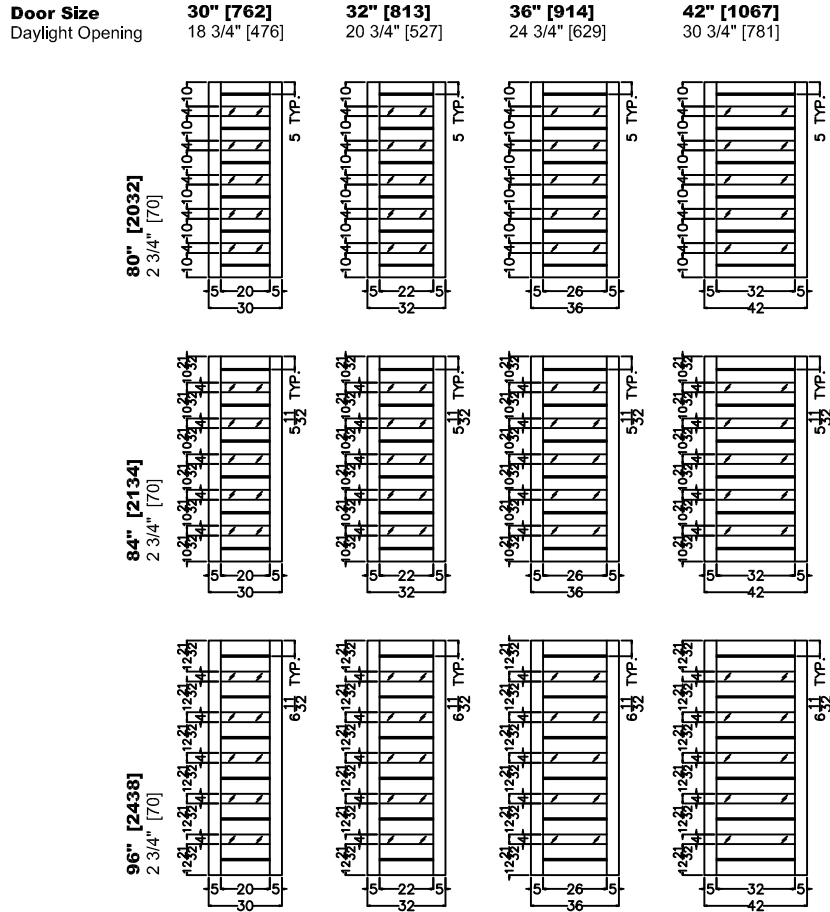


HORIZONTAL DOOR CROSS SECTION

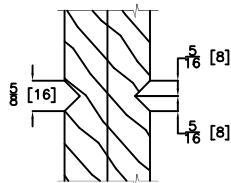
### ELEVATION NOTES

Door Size = Book Size Before Prefit  
 Daylight Opening (DLO) = Visible Glass  
 Values in brackets [ ] are millimeter conversions.  
 (GROOVES OPTIONAL)

### DOOR CROSS-SECTION



HORIZONTAL DOOR CROSS SECTION

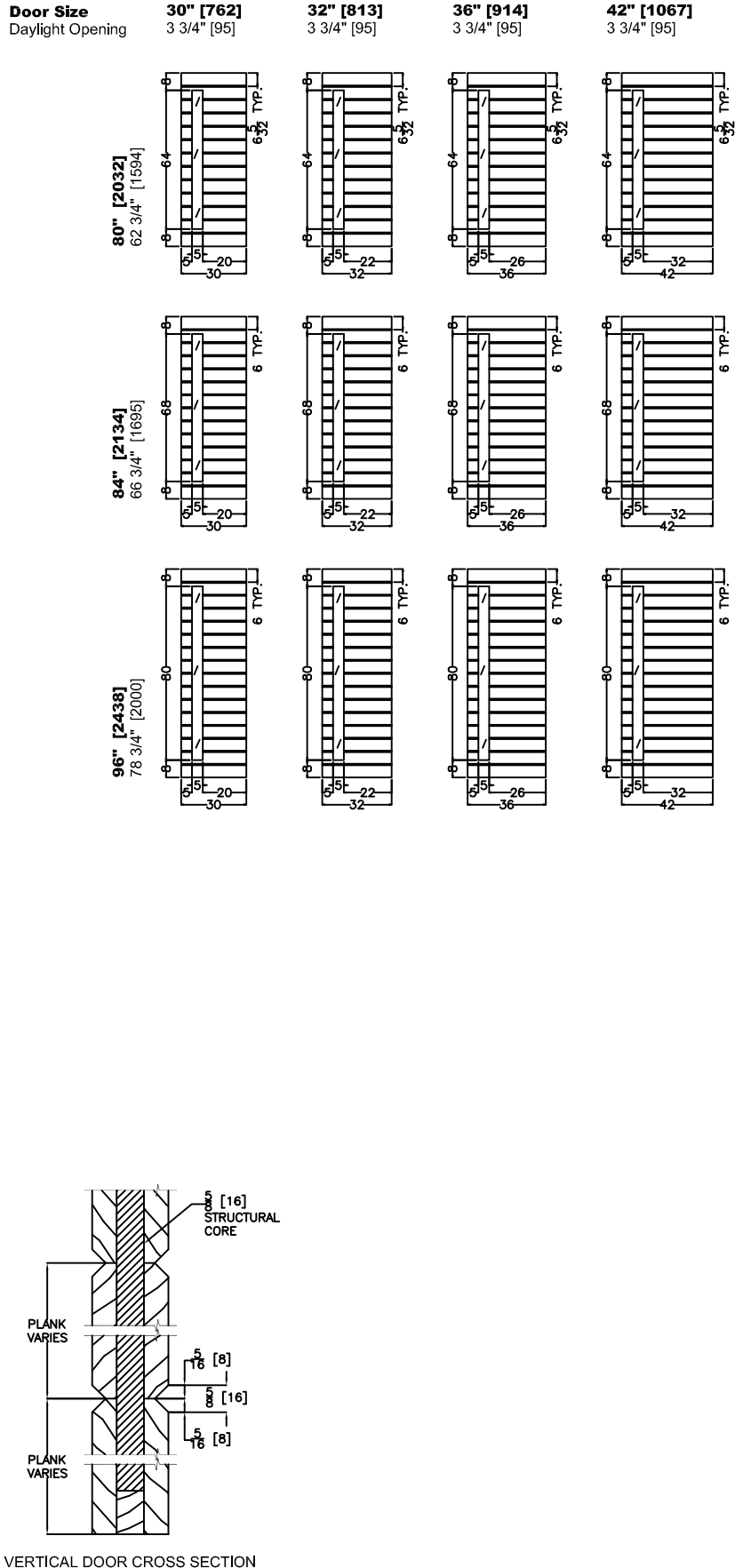


V-GROOVE DETAIL  
 (Grooves Optional)

### ELEVATION NOTES

Door Size = Book Size Before Prefit  
 Daylight Opening (DLO) = Visible Glass  
 Values in brackets [ ] are millimeter conversions.

### DOOR CROSS-SECTION



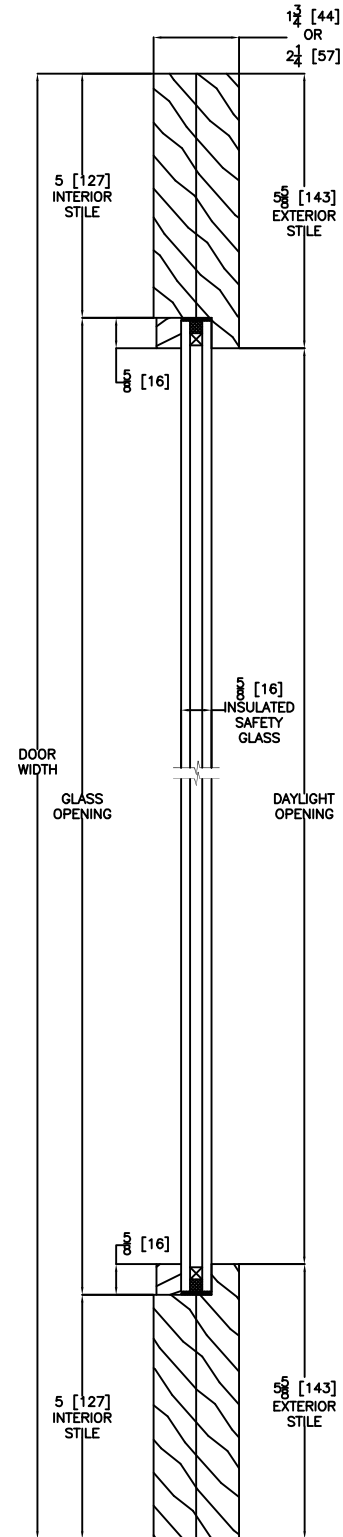
HORIZONTAL DOOR CROSS SECTION

VERTICAL DOOR CROSS SECTION

### ELEVATION NOTES

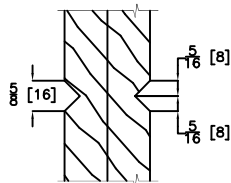
Door Size = Book Size Before Prefit  
 Daylight Opening (DLO) = Visible Glass  
 Values in brackets [ ] are millimeter conversions.  
 (GROOVES OPTIONAL)

### DOOR CROSS-SECTION



HORIZONTAL DOOR CROSS SECTION

	<b>30" [762]</b> 18 3/4" [476]	<b>32" [813]</b> 20 3/4" [527]	<b>36" [914]</b> 24 3/4" [629]	<b>42" [1067]</b> 30 3/4" [781]
<b>80" [2032]</b> 2 3/4" [70]				
<b>84" [2134]</b> 2 3/4" [70]				
<b>96" [2438]</b> 2 3/4" [70]				



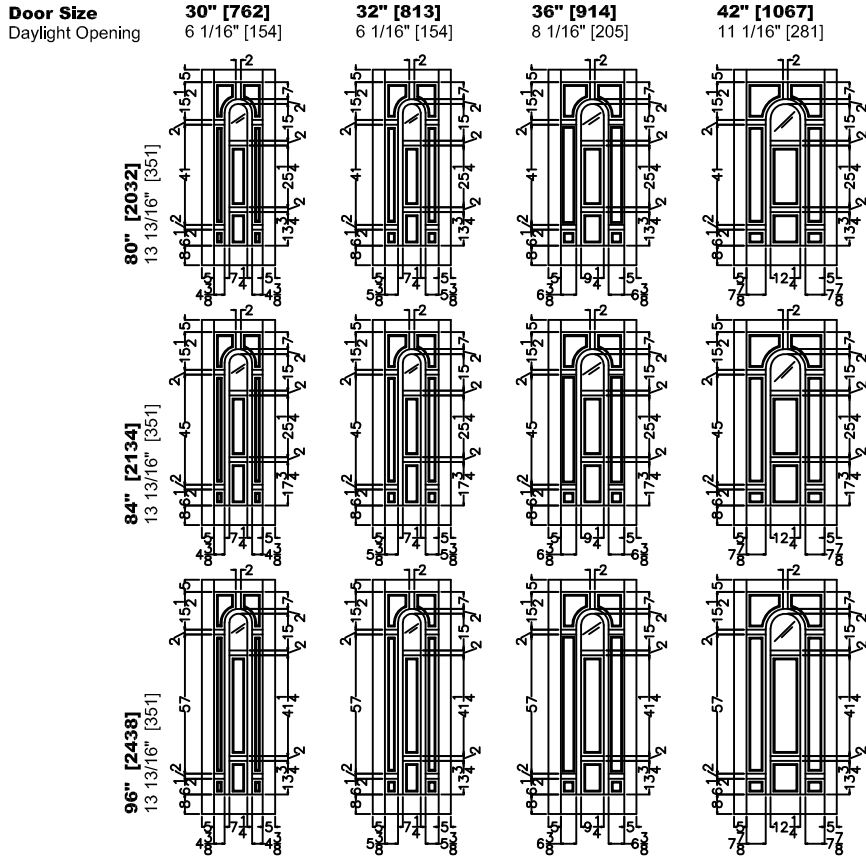
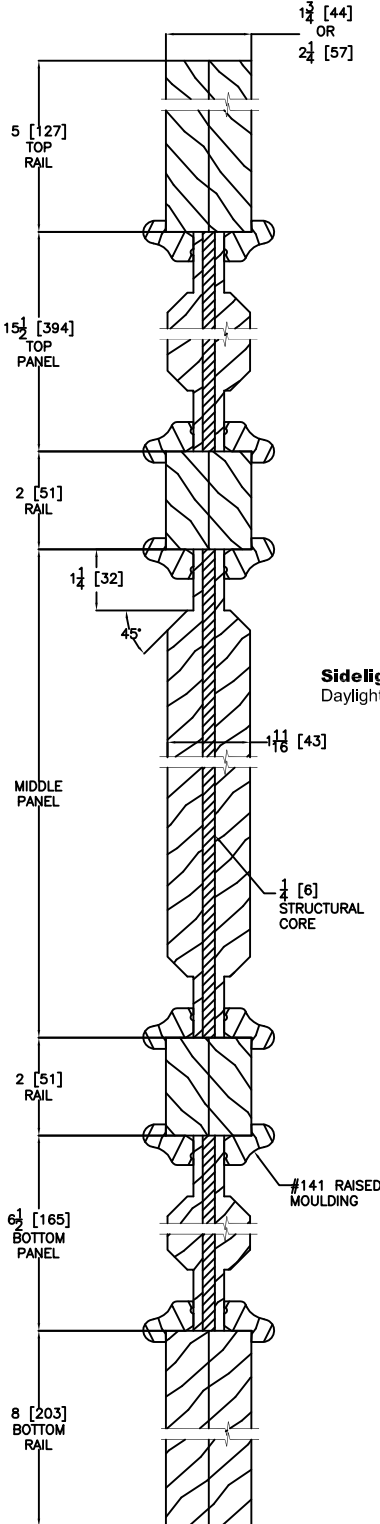
V-GROOVE DETAIL  
 (Grooves Optional)

### ELEVATION NOTES

Door Size = Book Size Before Prefit  
 Daylight Opening (DLO) = Visible Glass  
 Values in brackets [ ] are millimeter conversions.

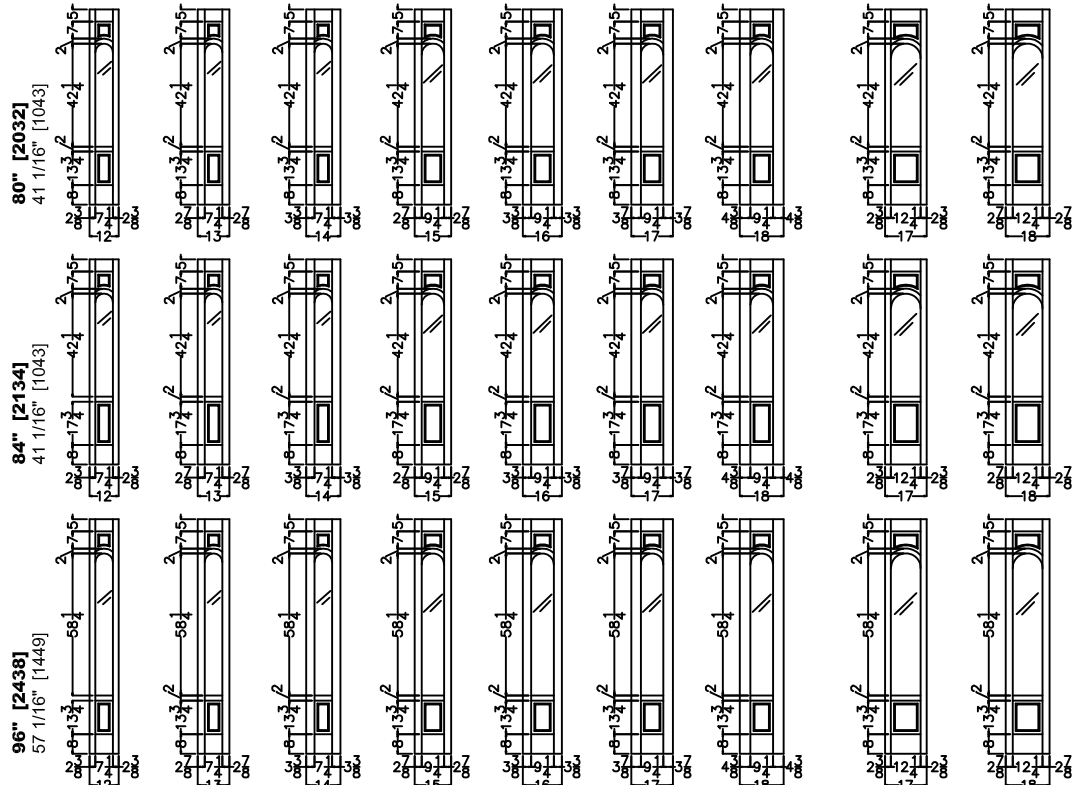
### DOOR CROSS-SECTION

Moulding Profile = 141  
 Panel Profile = 45 Degree  
 See 125 Cross Section sheet for more detail.



### SPECIAL SIDELIGHT TO MATCH 3-6 DOOR

Sidelight Size	12" [305]	13" [330]	14" [356]	15" [381]	16" [406]	17" [432]	18" [457]	17" [432]	18" [457]
Daylight Opening	6 1/16" [154]	6 1/16" [154]	6 1/16" [154]	8 1/16" [205]	8 1/16" [205]	8 1/16" [205]	8 1/16" [205]	11 1/16" [281]	11 1/16" [281]



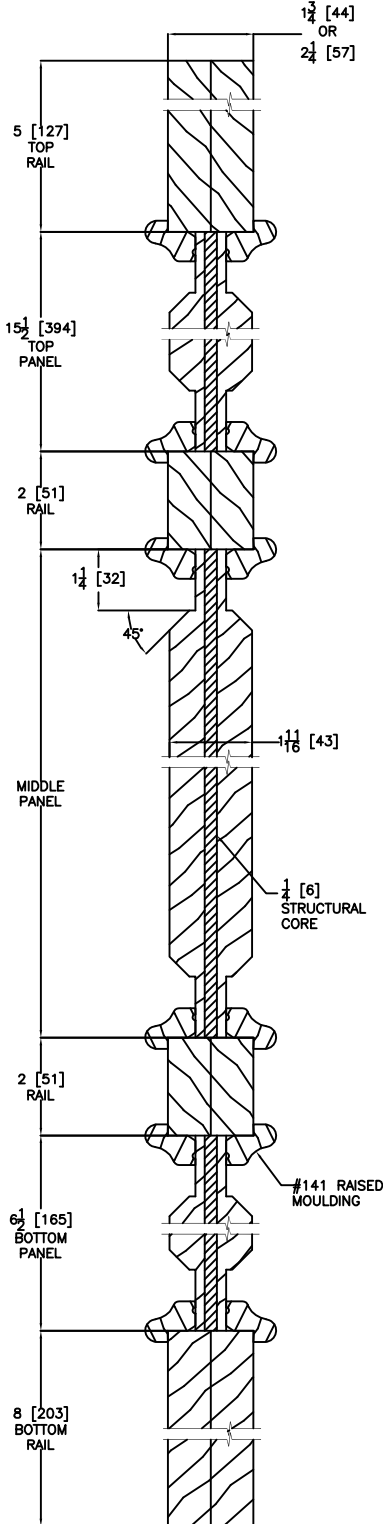
VERTICAL DOOR CROSS SECTION

#### ELEVATION NOTES

Door Size = Book Size Before Prefit  
 Daylight Opening (DLO) = Visible Glass  
 Values in brackets [ ] are millimeter conversions.

#### DOOR CROSS-SECTION

Moulding Profile = 141  
 Panel Profile = 45 Degree  
 See 125 Cross Section sheet for more detail.



VERTICAL DOOR CROSS SECTION

#### RADIUS

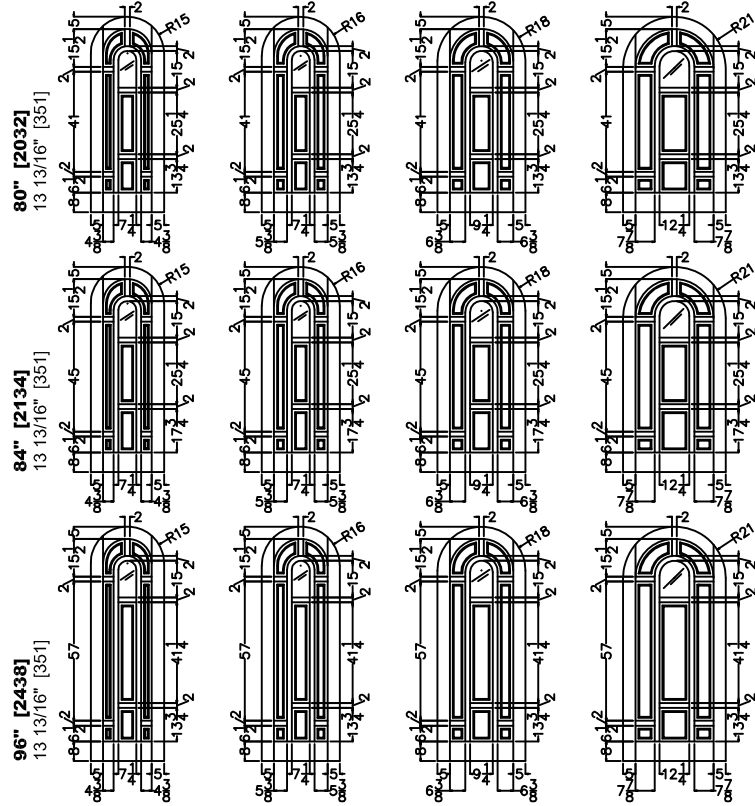
**Door Size**  
 Daylight Opening

**30" [762]**  
 6 1/16" [154]

**32" [813]**  
 6 1/16" [154]

**36" [914]**  
 8 1/16" [205]

**42" [1067]**  
 11 1/16" [281]



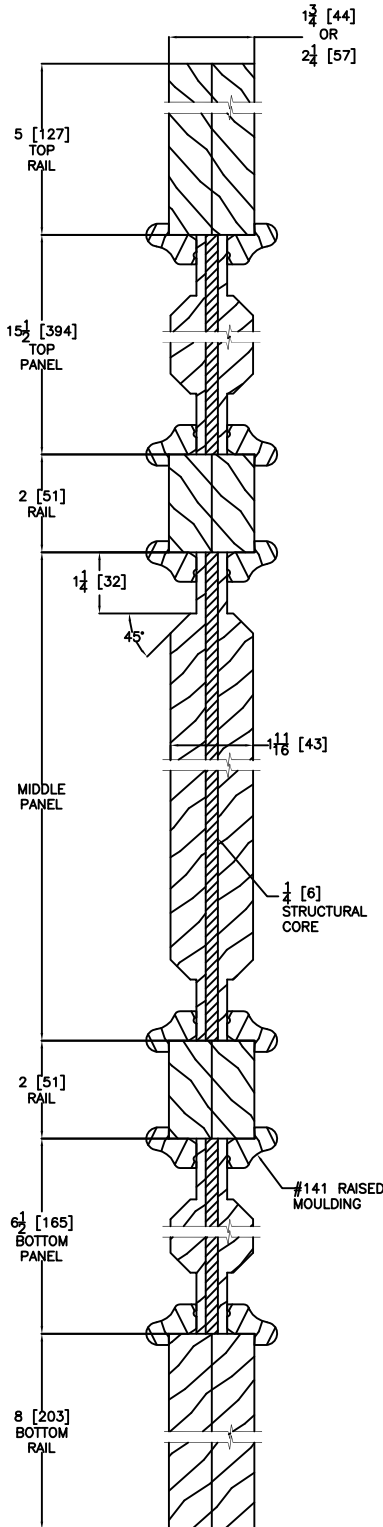


### ELEVATION NOTES

Door Size = Book Size Before Prefit  
 Daylight Opening (DLO) = Visible Glass  
 Values in brackets [ ] are millimeter conversions.

### DOOR CROSS-SECTION

Moulding Profile = 141  
 Panel Profile = 45 Degree  
 See 125 Cross Section sheet for more detail.



VERTICAL DOOR CROSS SECTION

### SEGMENT

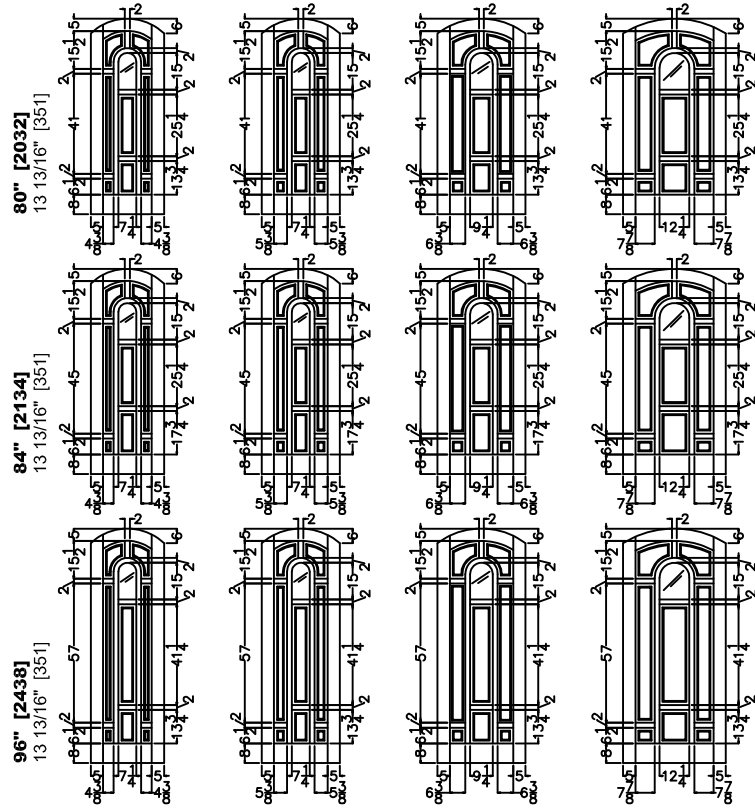
Door Size  
 Daylight Opening

30" [762]  
 6 1/16" [154]

32" [813]  
 6 1/16" [154]

36" [914]  
 8 1/16" [205]

42" [1067]  
 11 1/16" [281]



### HALF SEGMENT

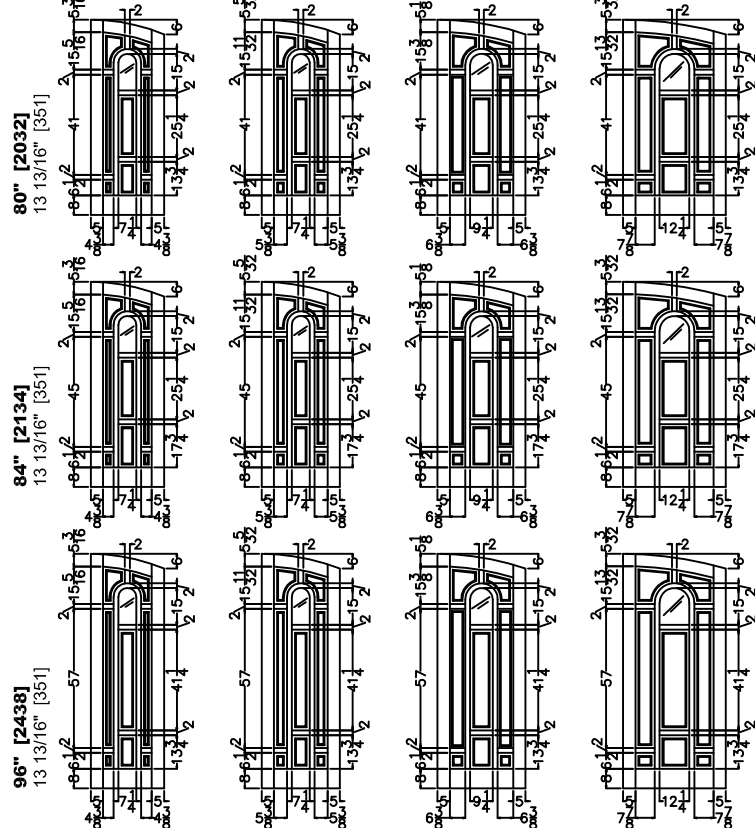
Door Size  
 Daylight Opening

30" [762]  
 6 1/16" [154]

32" [813]  
 6 1/16" [154]

36" [914]  
 8 1/16" [205]

42" [1067]  
 11 1/16" [281]

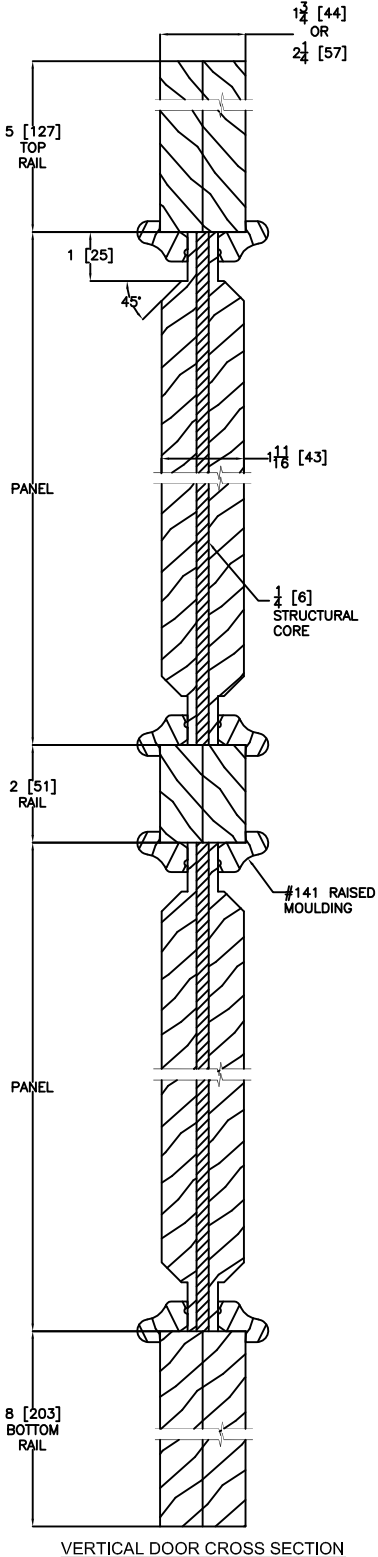


### ELEVATION NOTES

Door Size = Book Size Before Prefit  
Daylight Opening (DLO) = Visible Glass  
Values in brackets [ ] are millimeter conversions.  
(CARVING OPTIONAL)

### DOOR CROSS-SECTION

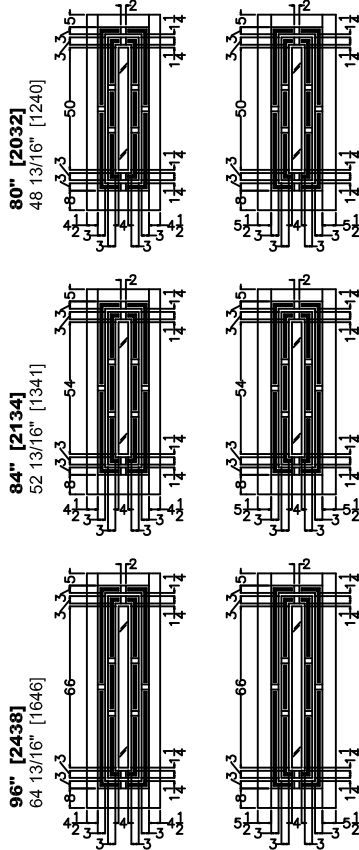
Moulding Profile = 141  
Panel Profile = 45 Degree  
See 141 Cross Section sheet for more detail.



**Door Size**  
Daylight Opening

**30" [762]**  
2 13/16" [71]

**32" [813]**  
2 13/16" [71]



### SIDLIGHT TO MATCH 2-6 & 2-8

**Sidelight Size**  
Daylight Opening

**12" [305]**  
7 13/16" [198]

**13" [330]**  
7 13/16" [198]

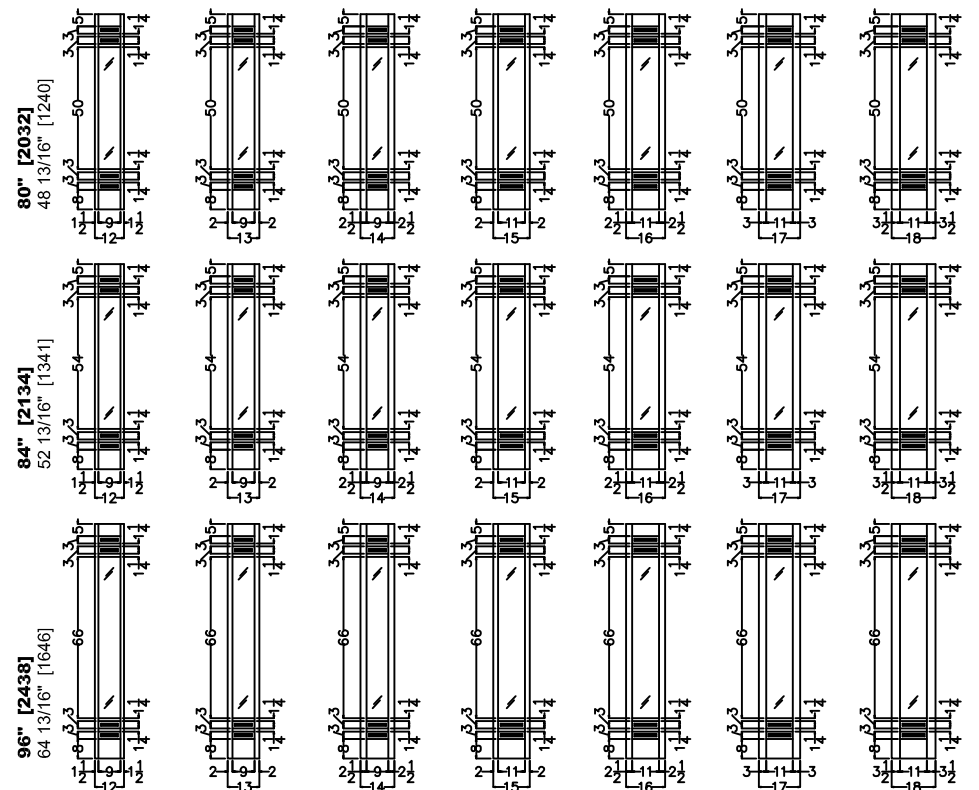
**14" [356]**  
7 13/16" [198]

**15" [381]**  
9 13/16" [249]

**16" [406]**  
9 13/16" [249]

**17" [432]**  
9 13/16" [249]

**18" [457]**  
9 13/16" [249]

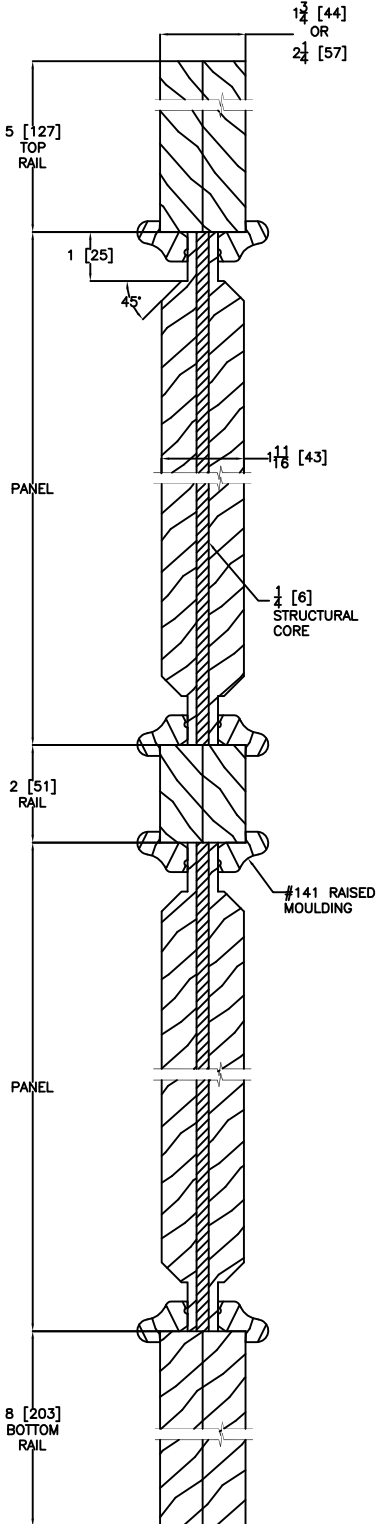


### ELEVATION NOTES

Door Size = Book Size Before Prefit  
 Daylight Opening (DLO) = Visible Glass  
 Values in brackets [ ] are millimeter conversions.  
 (CARVING OPTIONAL)

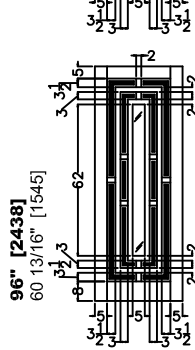
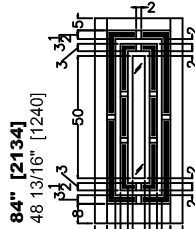
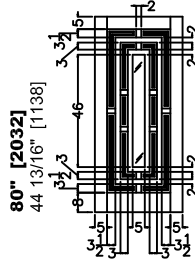
### DOOR CROSS-SECTION

Moulding Profile = 141  
 Panel Profile = 45 Degree  
 See 141 Cross Section sheet for more detail.



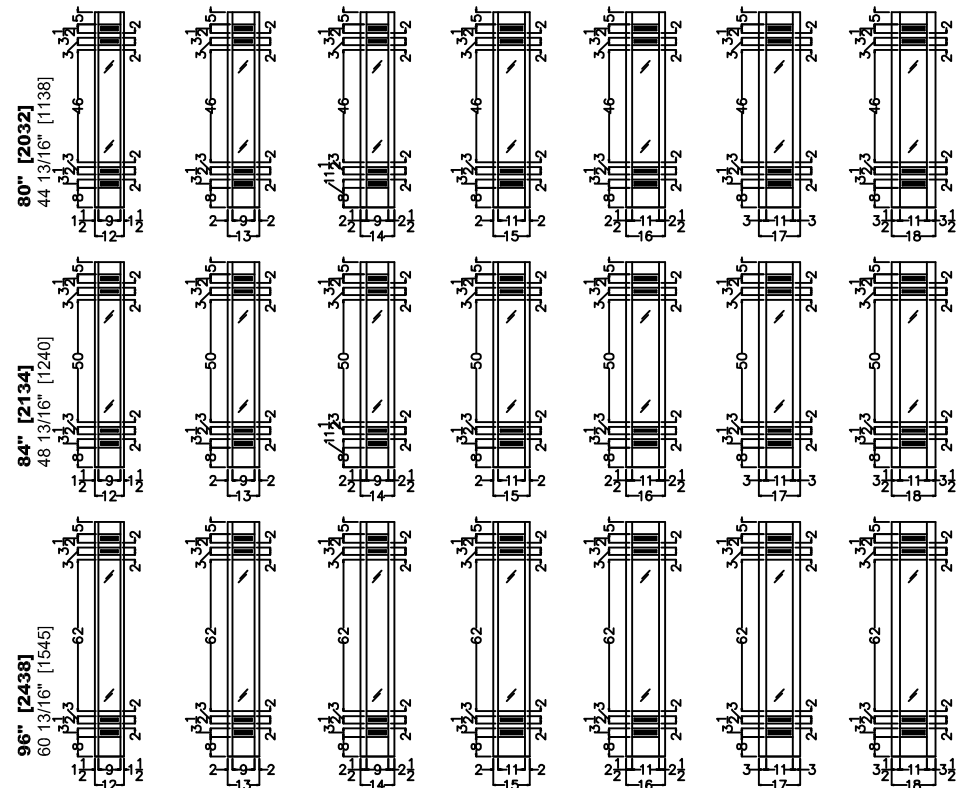
VERTICAL DOOR CROSS SECTION

**Door Size** 36" [914]  
**Daylight Opening** 3 13/16" [97]



### SIDLIGHT TO MATCH 3-0

**Sidelight Size** 12" [305] 13" [330] 14" [356] 15" [381] 16" [406] 17" [432] 18" [457]  
**Daylight Opening** 7 13/16" [198] 7 13/16" [198] 7 13/16" [198] 9 13/16" [249] 9 13/16" [249] 9 13/16" [249] 9 13/16" [249]

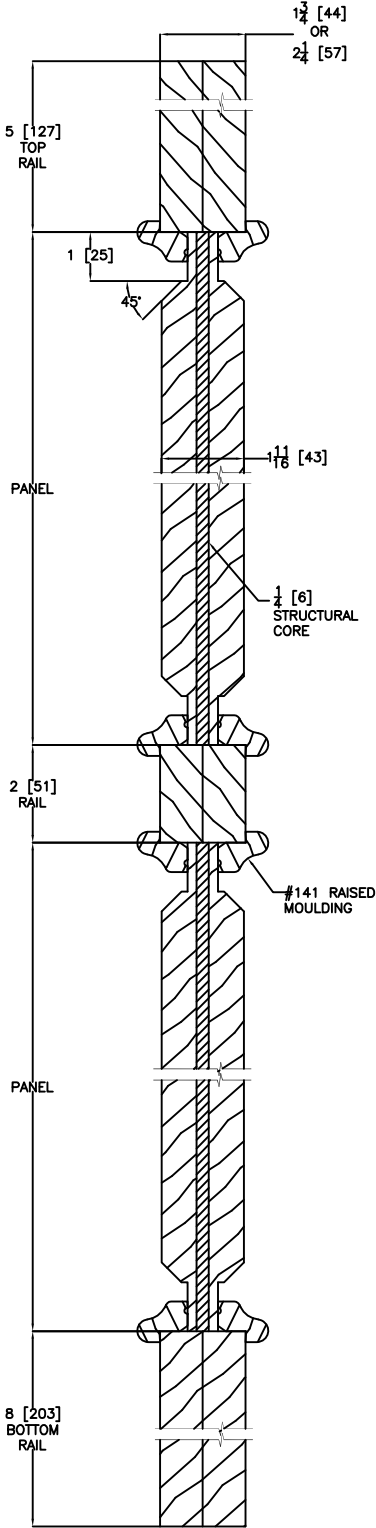


### ELEVATION NOTES

Door Size = Book Size Before Prefit  
 Daylight Opening (DLO) = Visible Glass  
 Values in brackets [ ] are millimeter conversions.  
 (CARVING OPTIONAL)

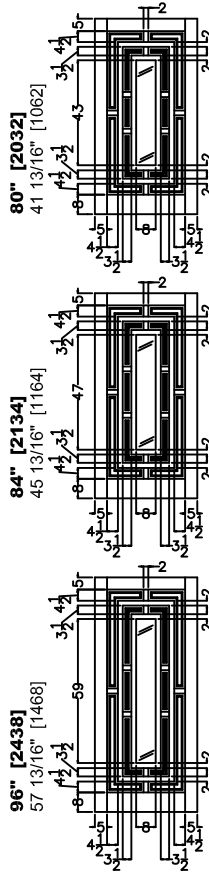
### DOOR CROSS-SECTION

Moulding Profile = 141  
 Panel Profile = 45 Degree  
 See 141 Cross Section sheet for more detail.



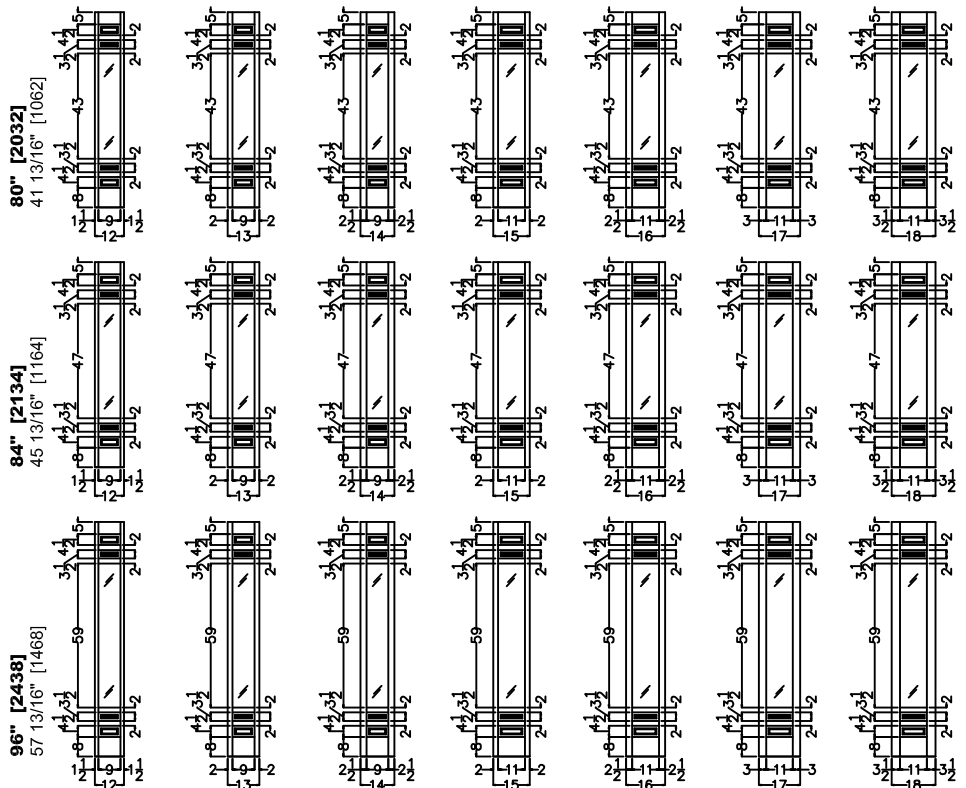
VERTICAL DOOR CROSS SECTION

**Door Size** 42" [1067]  
**Daylight Opening** 6 13/16" [173]



### SIDLIGHT TO MATCH 3-6

Sidelight Size	12" [305]	13" [330]	14" [356]	15" [381]	16" [406]	17" [432]	18" [457]
Daylight Opening	7 13/16" [198]	7 13/16" [198]	7 13/16" [198]	9 13/16" [249]	9 13/16" [249]	9 13/16" [249]	9 13/16" [249]

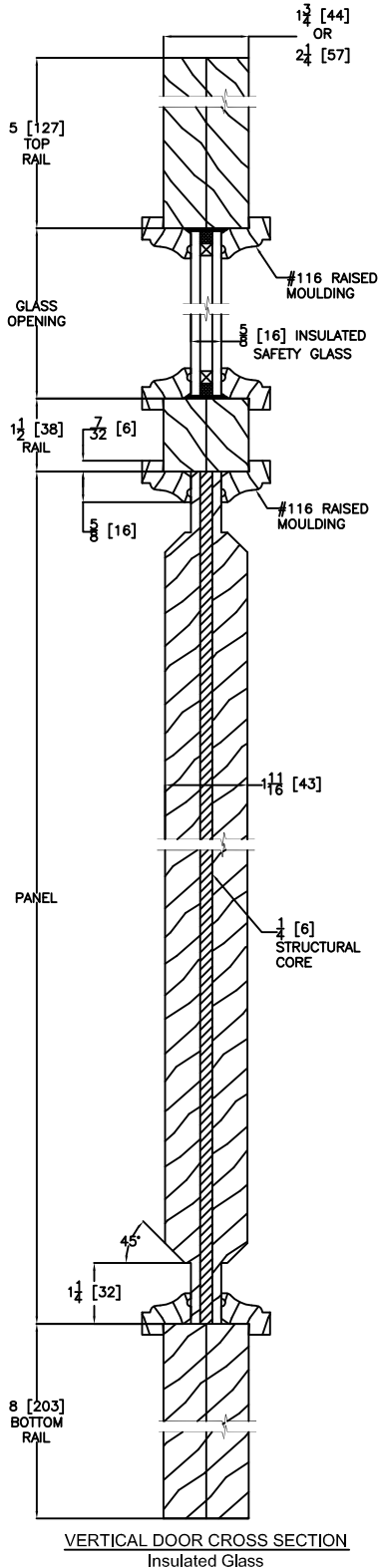


### ELEVATION NOTES

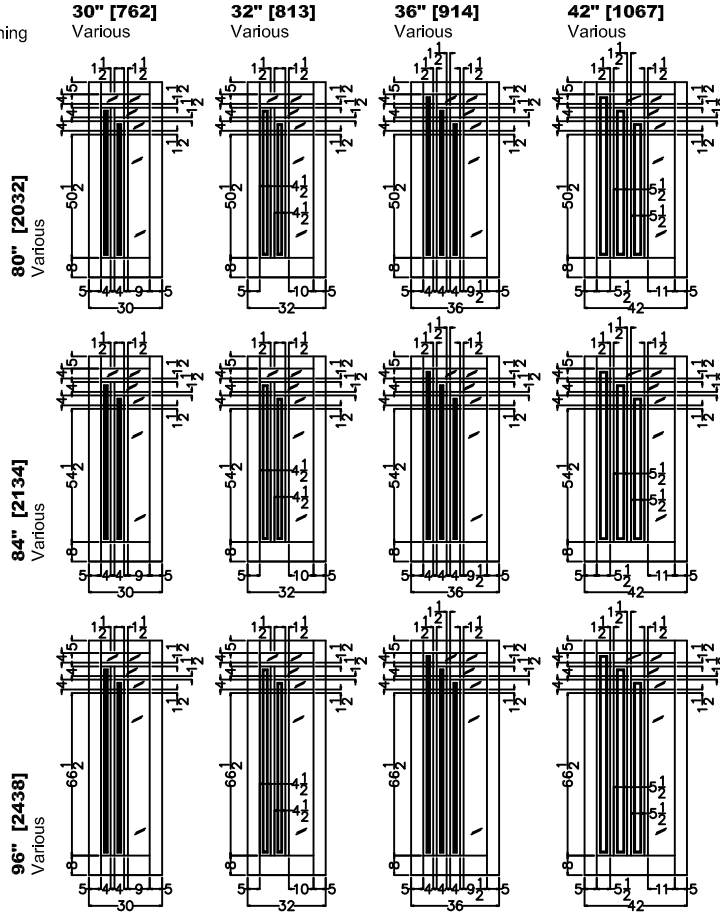
Door Size = Book Size Before Prefit  
 Daylight Opening (DLO) = Visible Glass  
 Values in brackets [ ] are millimeter conversions.

### DOOR CROSS-SECTION

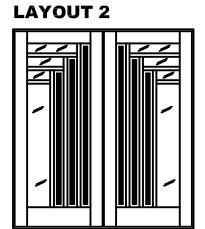
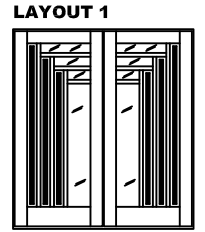
Moulding Profile = 116  
 Panel Profile = 45 Degree  
 See 170 Cross Section sheet for more detail.



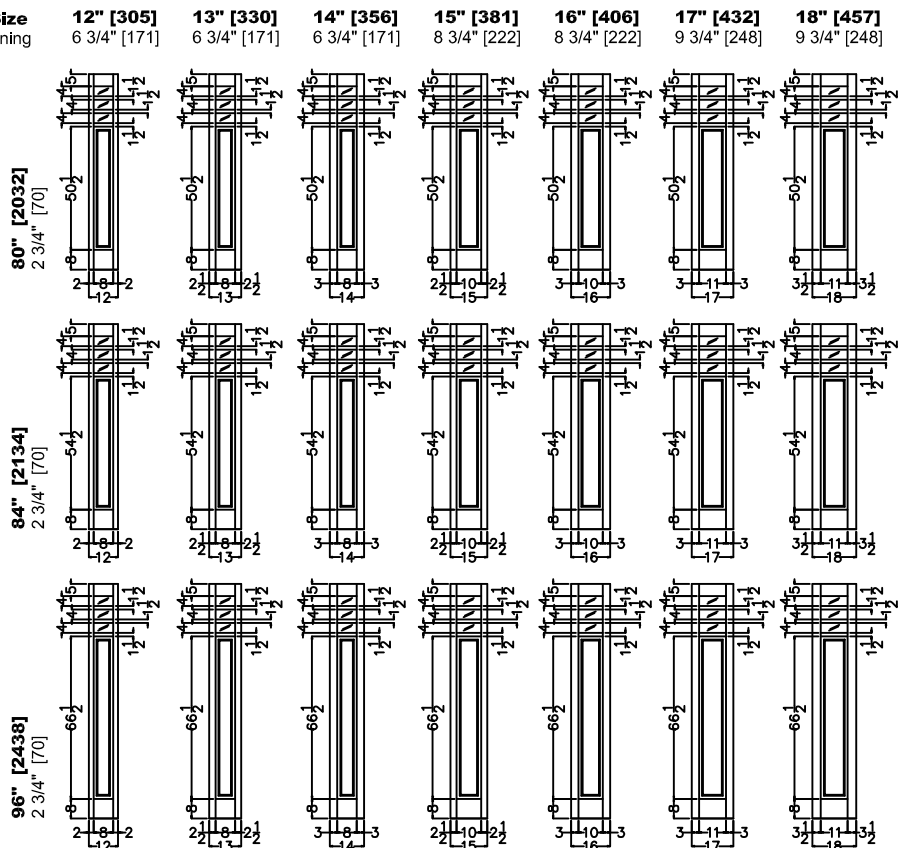
**Door Size**  
 Daylight Opening



### DOOR LAYOUTS



**Sidelight Size**  
 Daylight Opening

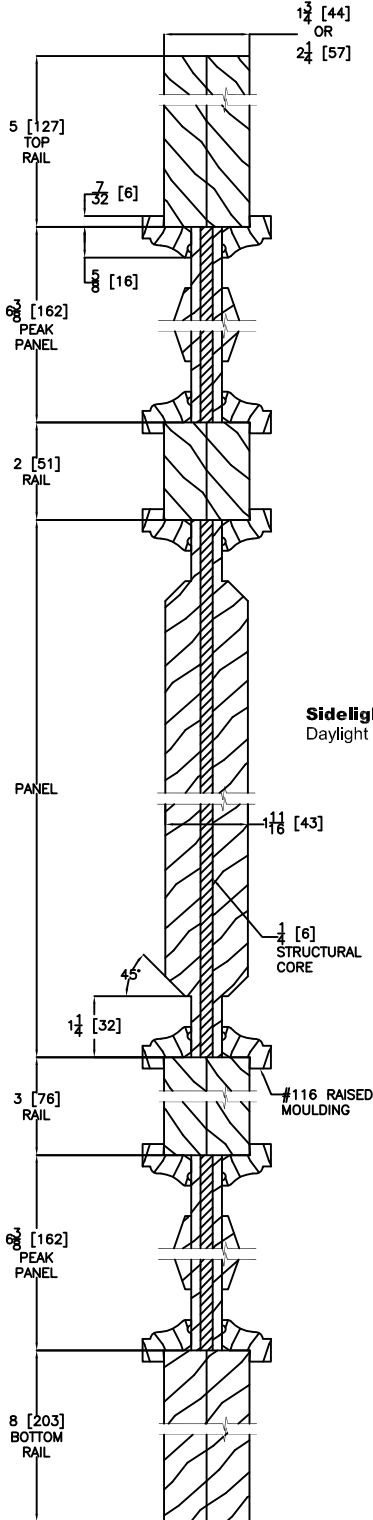


### ELEVATION NOTES

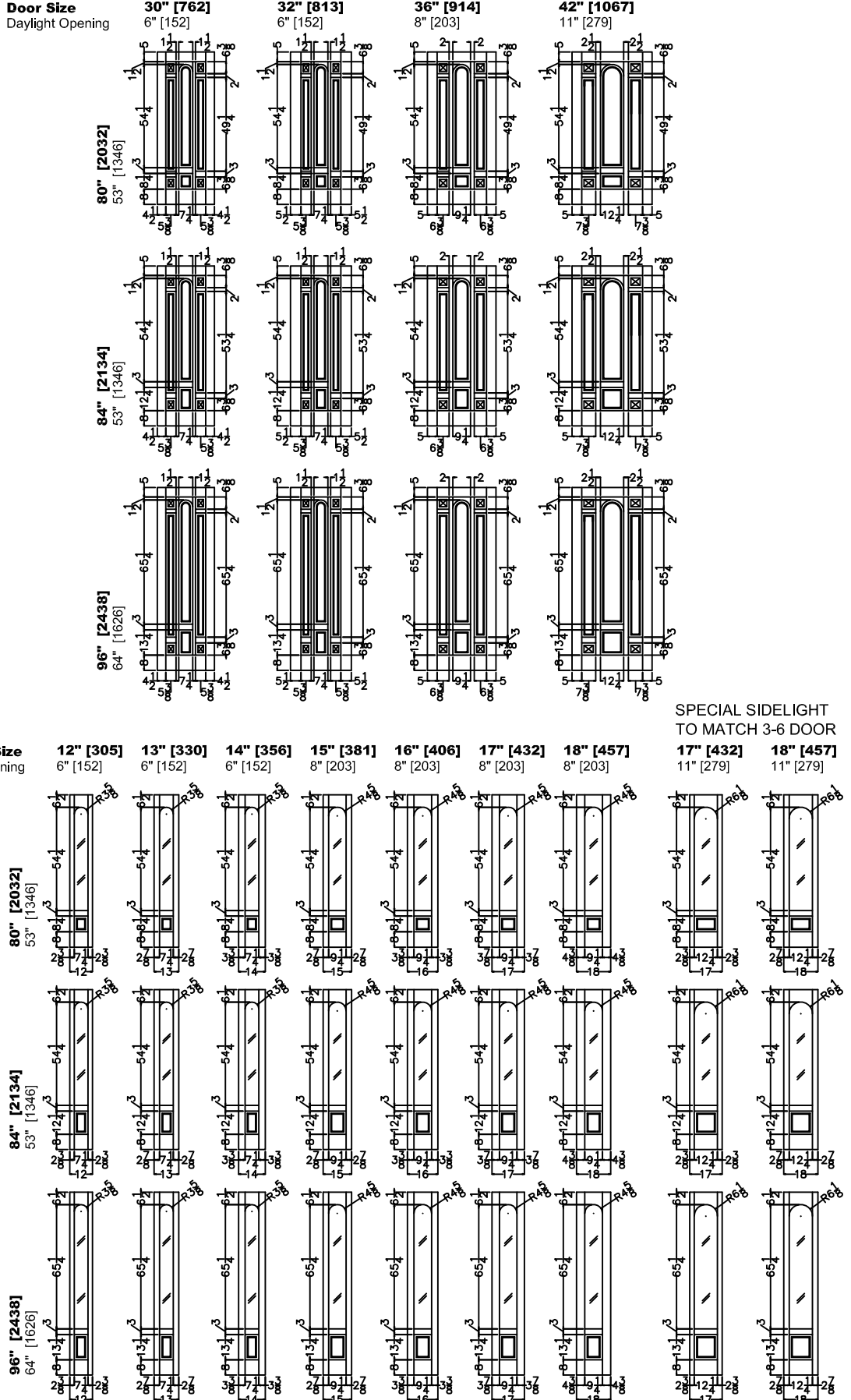
Door Size = Book Size Before Prefit  
 Daylight Opening (DLO) = Visible Glass  
 Values in brackets [ ] are millimeter conversions.

### DOOR CROSS-SECTION

Moulding Profile = 116  
 Panel Profile = 45 Degree  
 See 190 Cross Section sheet for more detail.



VERTICAL DOOR CROSS SECTION



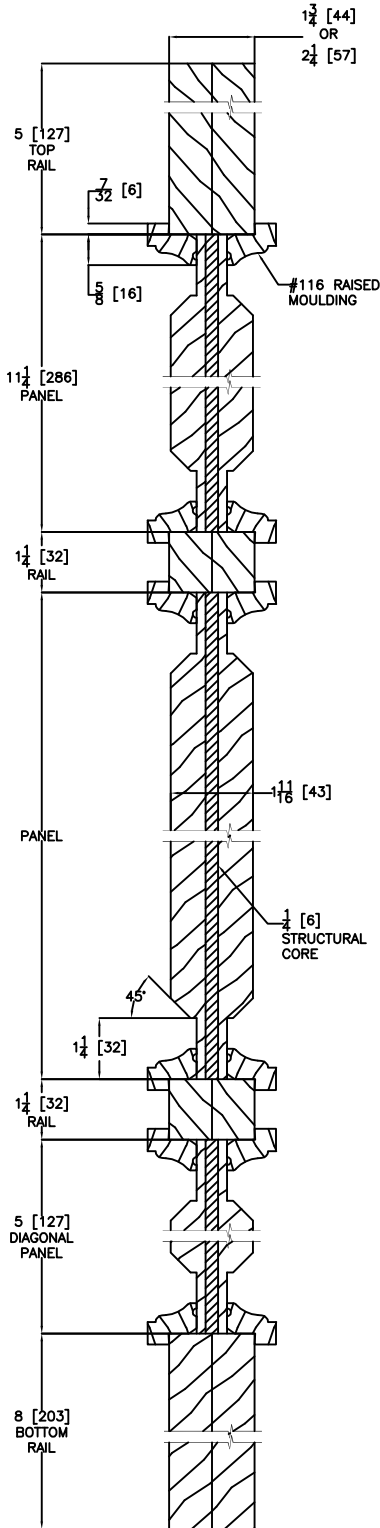
SPECIAL SIDELIGHT TO MATCH 3-6 DOOR

### ELEVATION NOTES

Door Size = Book Size Before Prefit  
 Daylight Opening (DLO) = Visible Glass  
 Values in brackets [ ] are millimeter conversions.

### DOOR CROSS-SECTION

Moulding Profile = 116  
 Panel Profile = 45 Degree  
 See 210 Cross Section sheet for more detail.



VERTICAL DOOR CROSS SECTION

**Door Size**  
 Daylight Opening

**30" [762]**  
 3 3/4" [95]

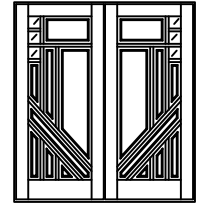
**32" [813]**  
 3 3/4" [95]

**36" [914]**  
 3 3/4" [95]

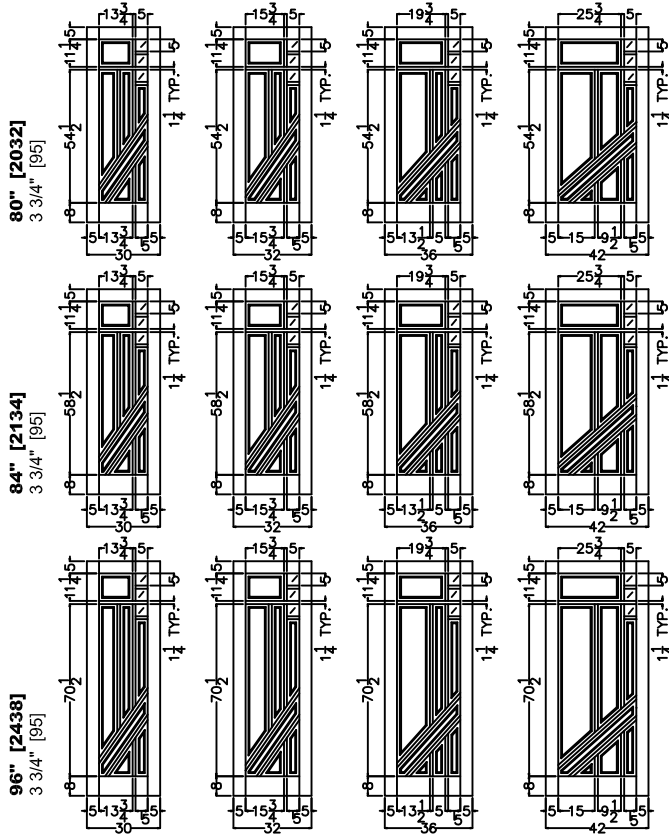
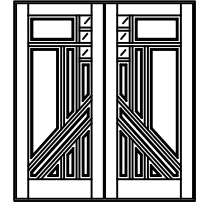
**42" [1067]**  
 3 3/4" [95]

### DOOR LAYOUTS

#### LAYOUT 1



#### LAYOUT 2



### RECTANGULAR LITES SHOWN (Also available with diagonal lites)

**Sidelight Size**  
 Daylight Opening

**12" [305]**  
 Various

**13" [330]**  
 Various

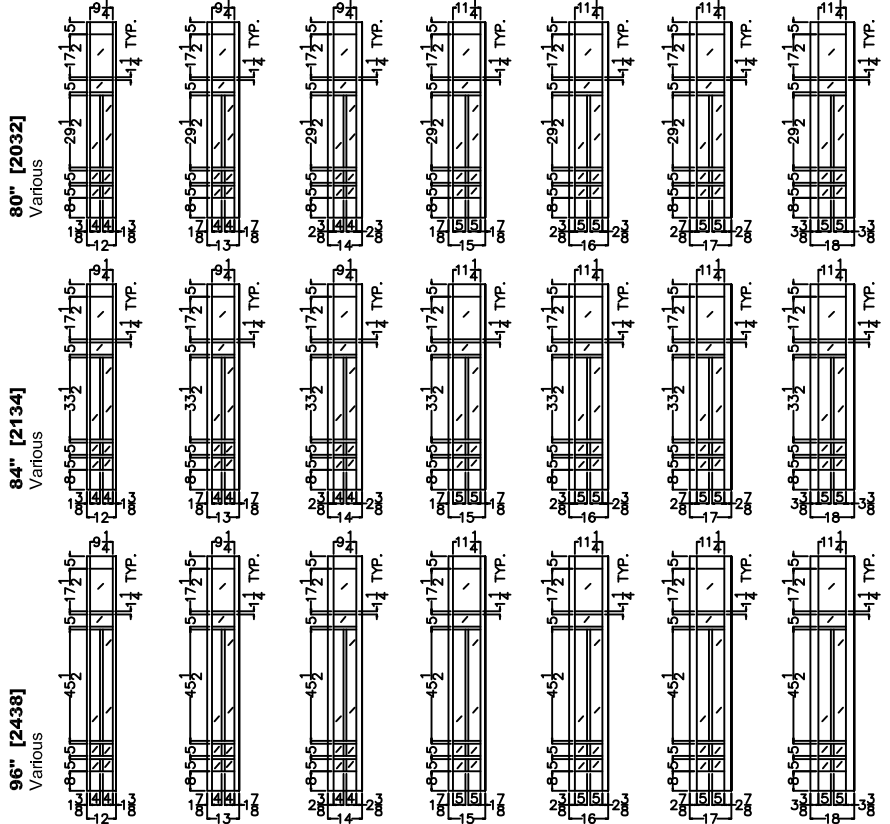
**14" [356]**  
 Various

**15" [381]**  
 Various

**16" [406]**  
 Various

**17" [432]**  
 Various

**18" [457]**  
 Various

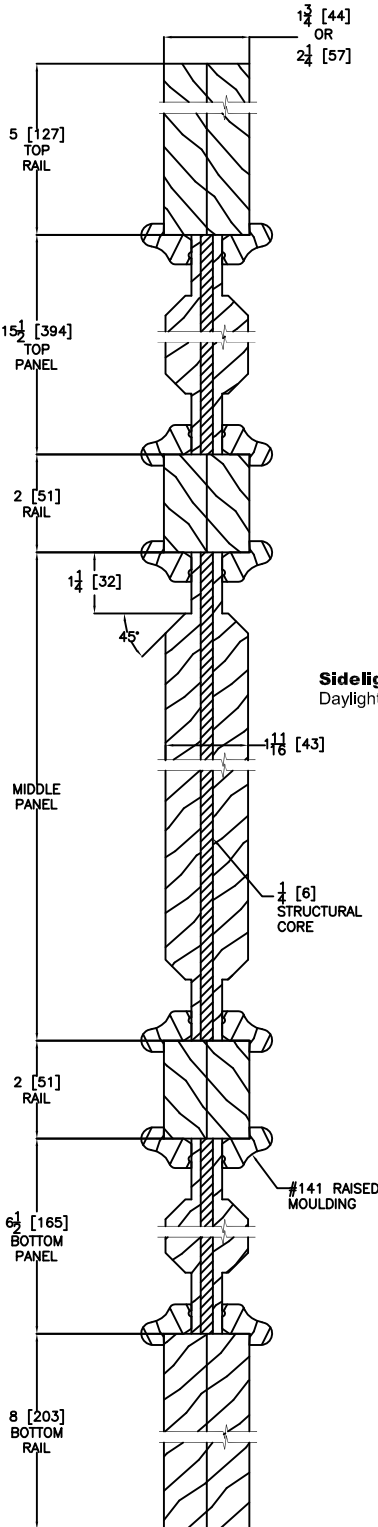


### ELEVATION NOTES

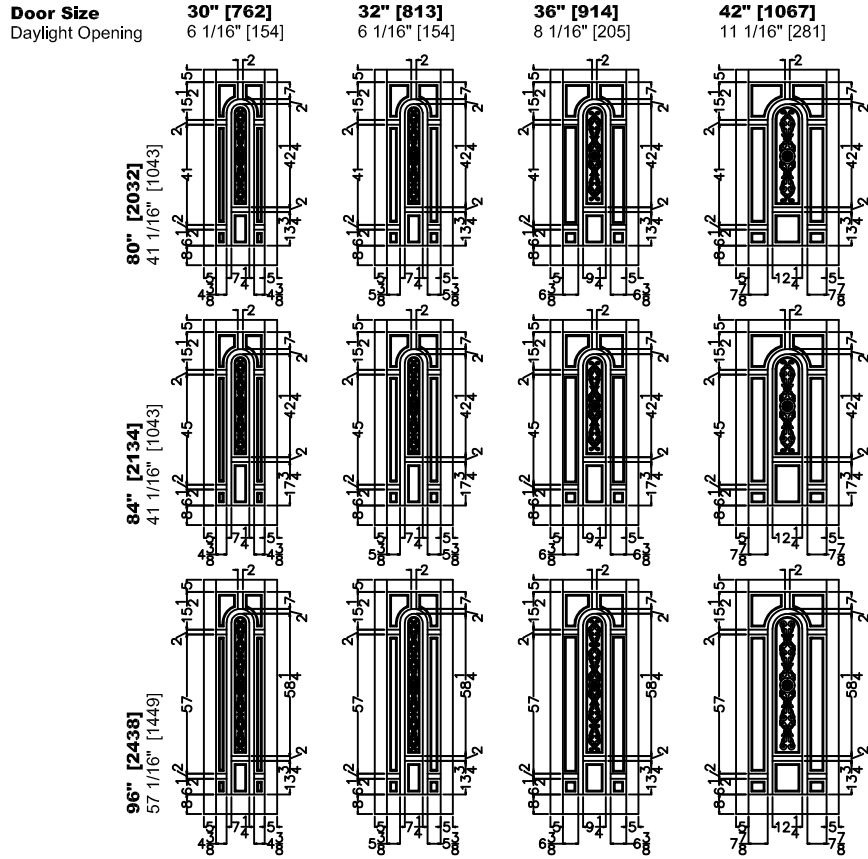
Door Size = Book Size Before Prefit  
 Daylight Opening (DLO) = Visible Glass  
 Values in brackets [ ] are millimeter conversions.  
 (CARVING OPTIONAL)

### DOOR CROSS-SECTION

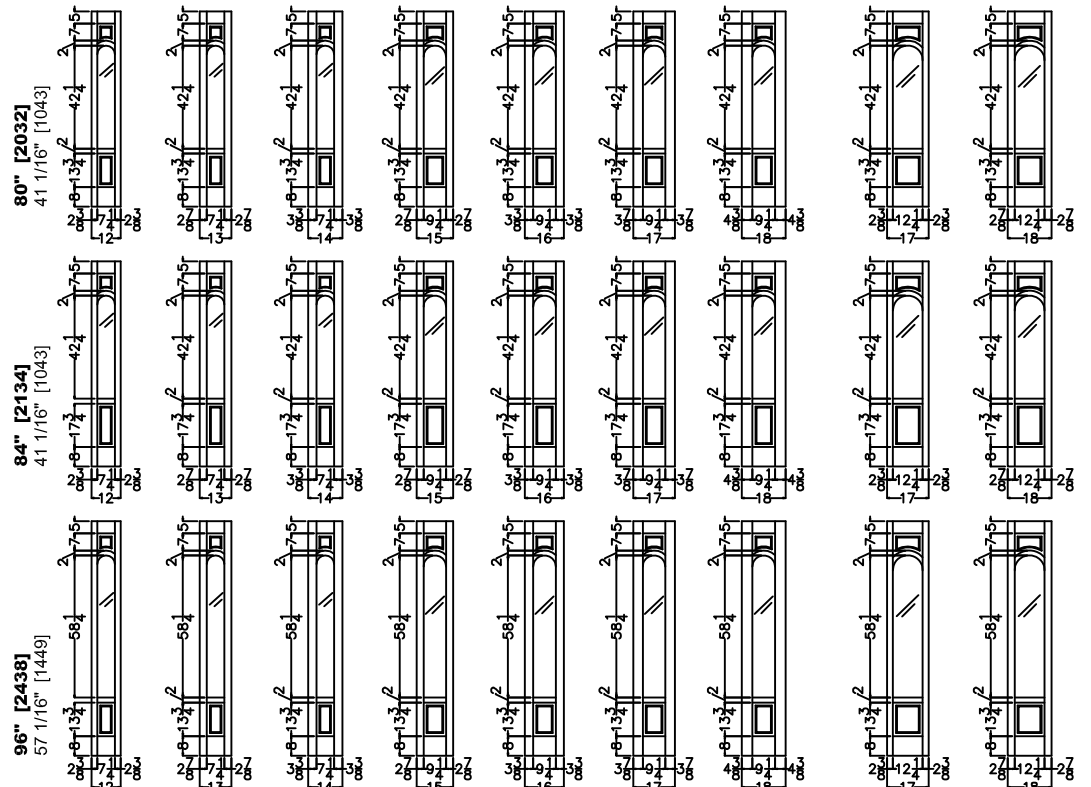
Moulding Profile = 141  
 Panel Profile = 45 Degree  
 See 225 Cross Section sheet for more detail.



VERTICAL DOOR CROSS SECTION



Sidelight Size	12" [305]	13" [330]	14" [356]	15" [381]	16" [406]	17" [432]	18" [457]	17" [432]	18" [457]
Daylight Opening	6 1/16" [154]	6 1/16" [154]	6 1/16" [154]	8 1/16" [205]	8 1/16" [205]	8 1/16" [205]	8 1/16" [205]	11 1/16" [281]	11 1/16" [281]



SPECIAL SIDELIGHT TO MATCH 3-6 DOOR

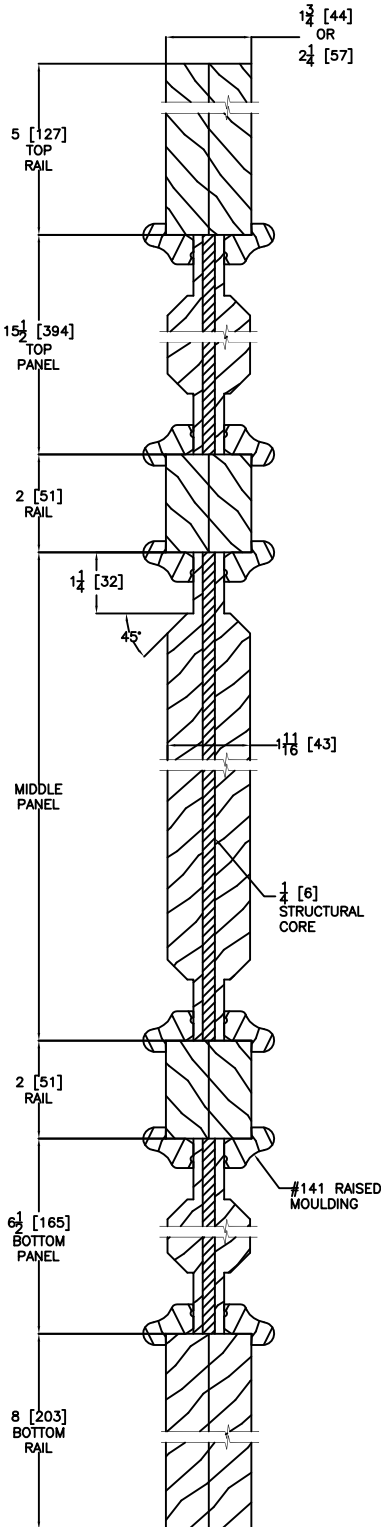


### ELEVATION NOTES

Door Size = Book Size Before Prefit  
 Daylight Opening (DLO) = Visible Glass  
 Values in brackets [ ] are millimeter conversions.  
 (CARVING OPTIONAL)

### DOOR CROSS-SECTION

Moulding Profile = 141  
 Panel Profile = 45 Degree  
 See 225 Cross Section sheet for more detail.



VERTICAL DOOR CROSS SECTION

### RADIUS

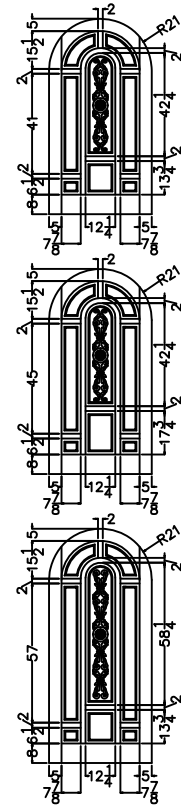
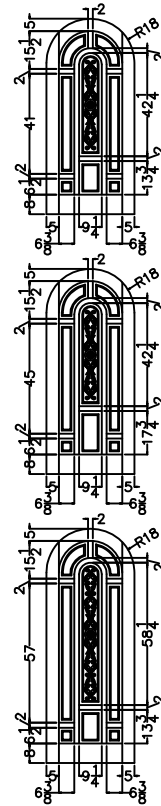
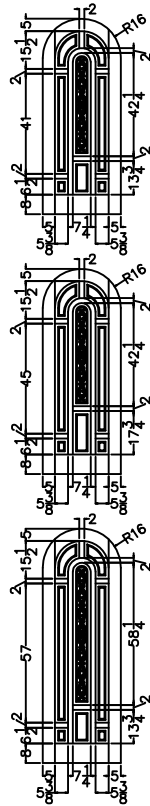
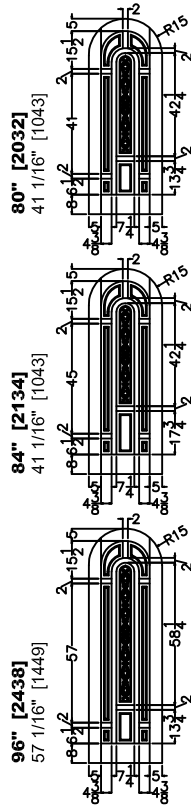
**Door Size**  
 Daylight Opening

**30" [762]**  
 6 1/16" [154]

**32" [813]**  
 6 1/16" [154]

**36" [914]**  
 8 1/16" [205]

**42" [1067]**  
 11 1/16" [281]

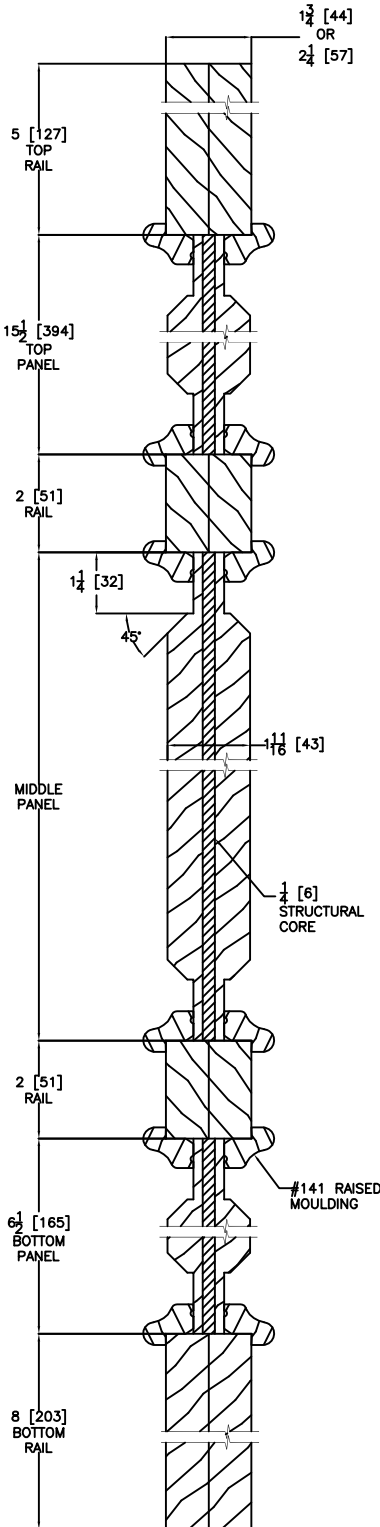


### ELEVATION NOTES

Door Size = Book Size Before Prefit  
 Daylight Opening (DLO) = Visible Glass  
 Values in brackets [ ] are millimeter conversions.  
 (CARVING OPTIONAL)

### DOOR CROSS-SECTION

Moulding Profile = 141  
 Panel Profile = 45 Degree  
 See 225 Cross Section sheet for more detail.



VERTICAL DOOR CROSS SECTION

### SEGMENT

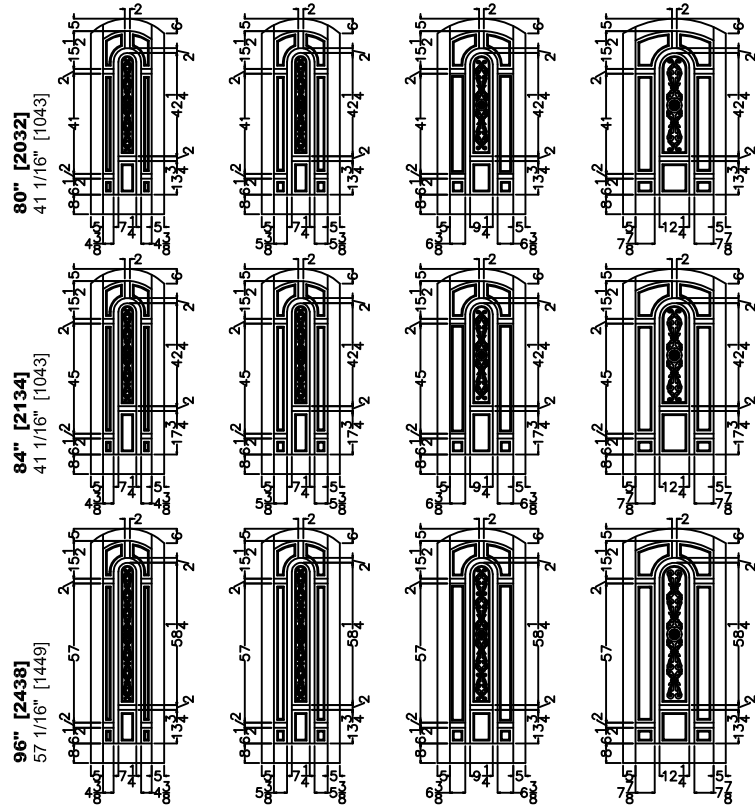
Door Size  
 Daylight Opening

30" [762]  
 6 1/16" [154]

32" [813]  
 6 1/16" [154]

36" [914]  
 8 1/16" [205]

42" [1067]  
 11 1/16" [281]



### HALF SEGMENT

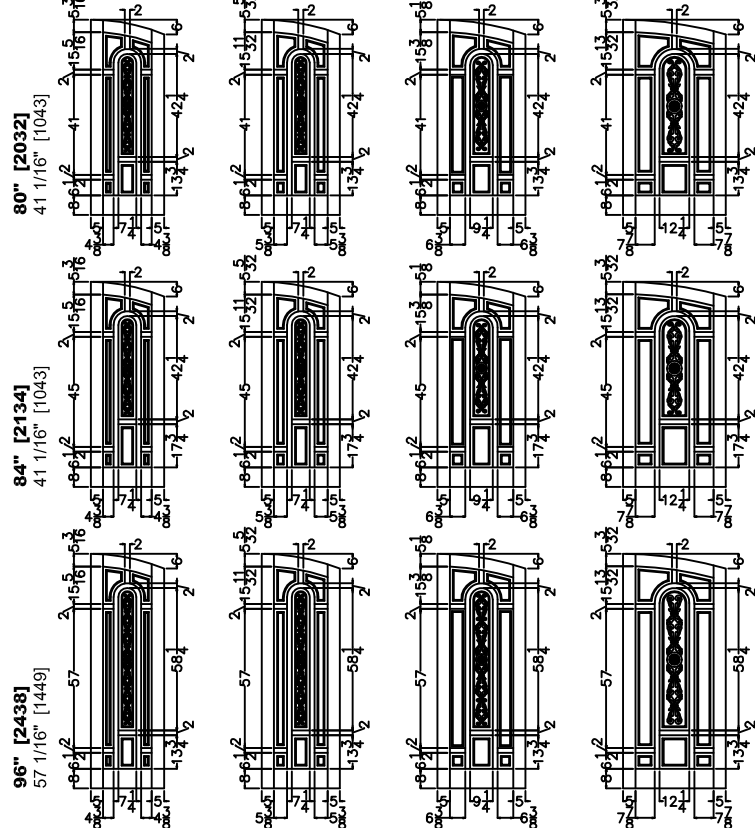
Door Size  
 Daylight Opening

30" [762]  
 6 1/16" [154]

32" [813]  
 6 1/16" [154]

36" [914]  
 8 1/16" [205]

42" [1067]  
 11 1/16" [281]

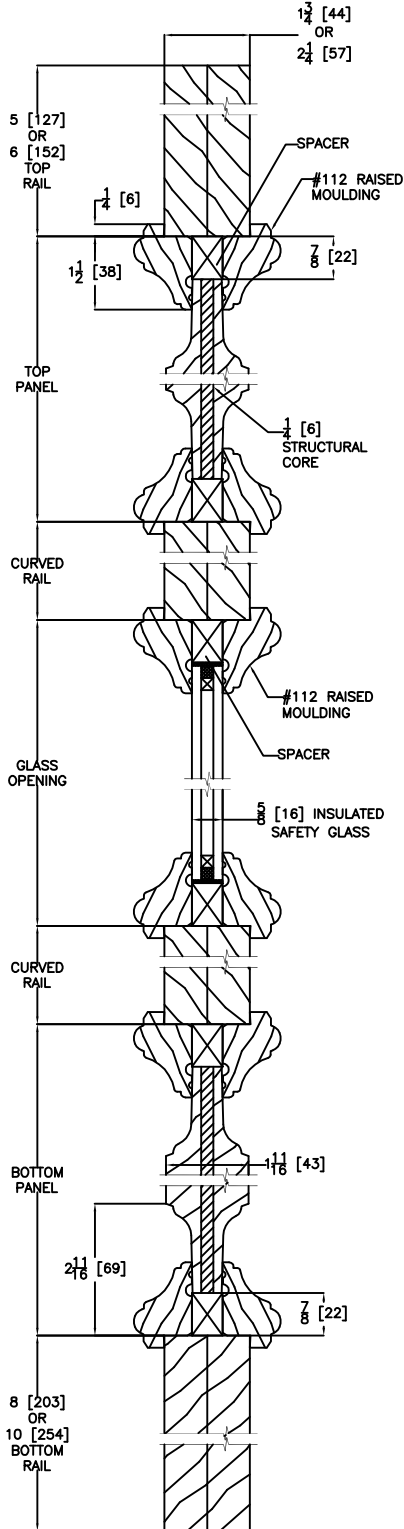


### ELEVATION NOTES

Door Size = Book Size Before Prefit  
 Daylight Opening (DLO) = Visible Glass  
 Values in brackets [ ] are millimeter conversions.

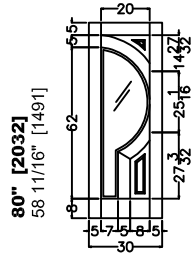
### DOOR CROSS-SECTION

Moulding Profile = 112  
 Panel Profile = Double Hip  
 See 254 Cross Section sheet for more detail.

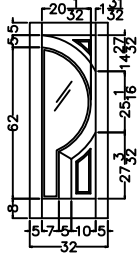


**Door Size**  
 Daylight Opening

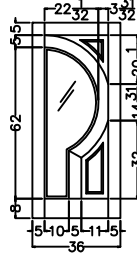
**30" [762]**  
 17" [432]



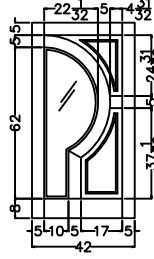
**32" [813]**  
 17" [432]



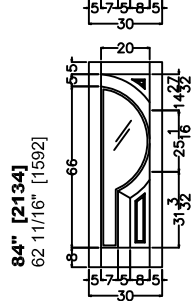
**36" [914]**  
 19" [483]



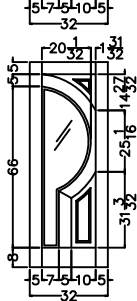
**42" [1067]**  
 19" [483]



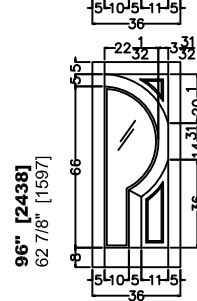
**80" [2032]**  
 58 11/16" [1491]



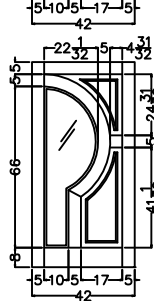
**96" [2438]**  
 58 7/8" [1495]



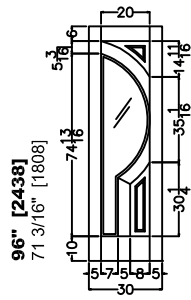
**96" [2438]**  
 62 7/8" [1597]



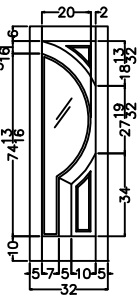
**96" [2438]**  
 62 7/8" [1597]



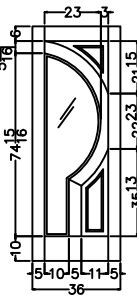
**30" [762]**  
 17" [432]



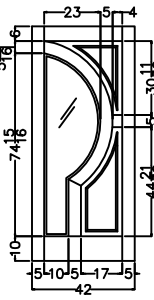
**32" [813]**  
 17" [432]



**36" [914]**  
 20" [508]



**42" [1067]**  
 20" [508]



**96" [2438]**  
 71 3/16" [1808]



**96" [2438]**  
 71 9/16" [1818]



**96" [2438]**  
 71 9/16" [1818]



**96" [2438]**  
 71 9/16" [1818]



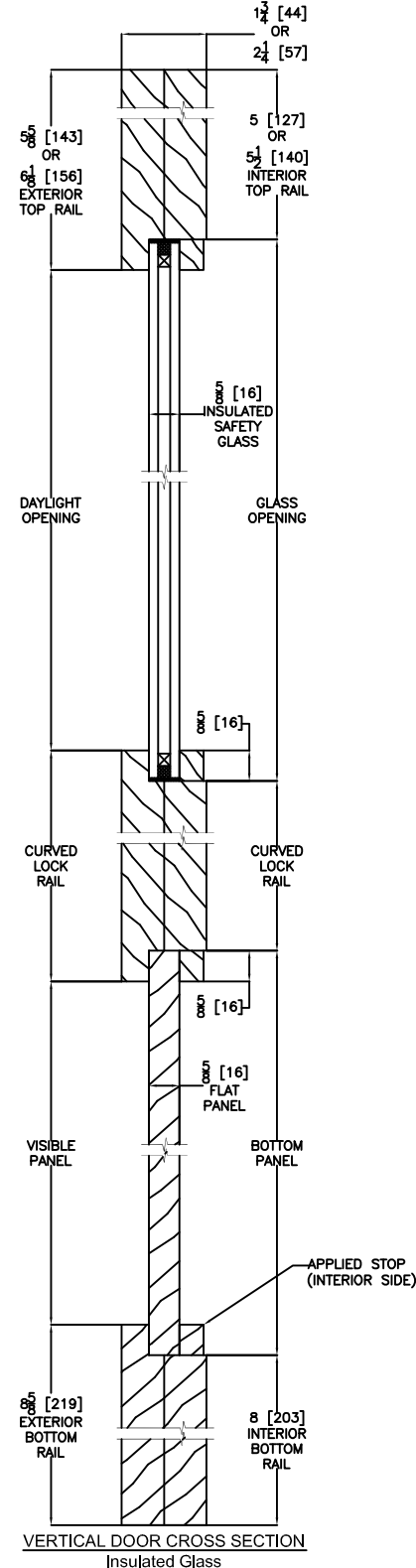
VERTICAL DOOR CROSS SECTION  
 Insulated Glass

#### ELEVATION NOTES

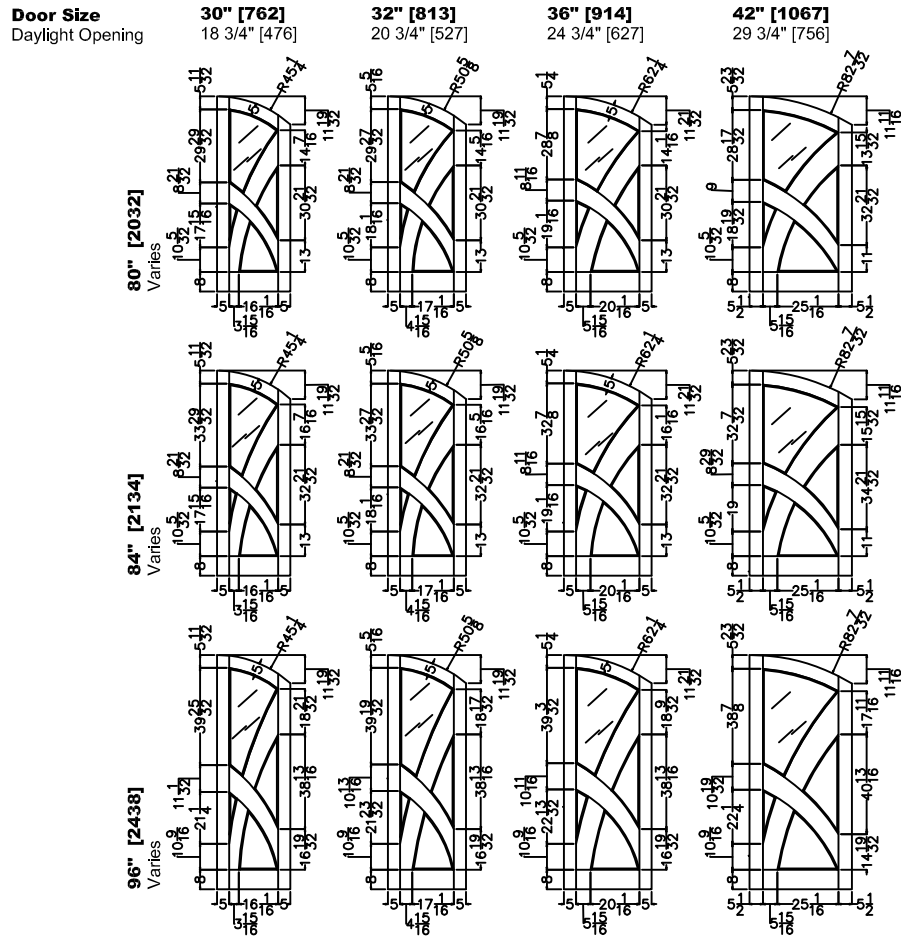
Door Size = Book Size Before Prefit  
 Daylight Opening (DLO) = Visible Glass  
 Values in brackets [ ] are millimeter conversions.

#### DOOR CROSS-SECTION

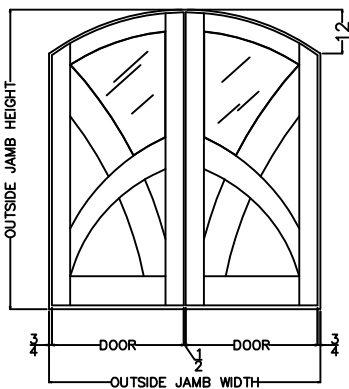
Moulding Profile = Square (Shaker) Sticking  
 Panel Profile = Flat  
 See 274 Cross Section sheet for more detail.



#### HALF SEGMENT



#### 274 SYSTEM DETAILS

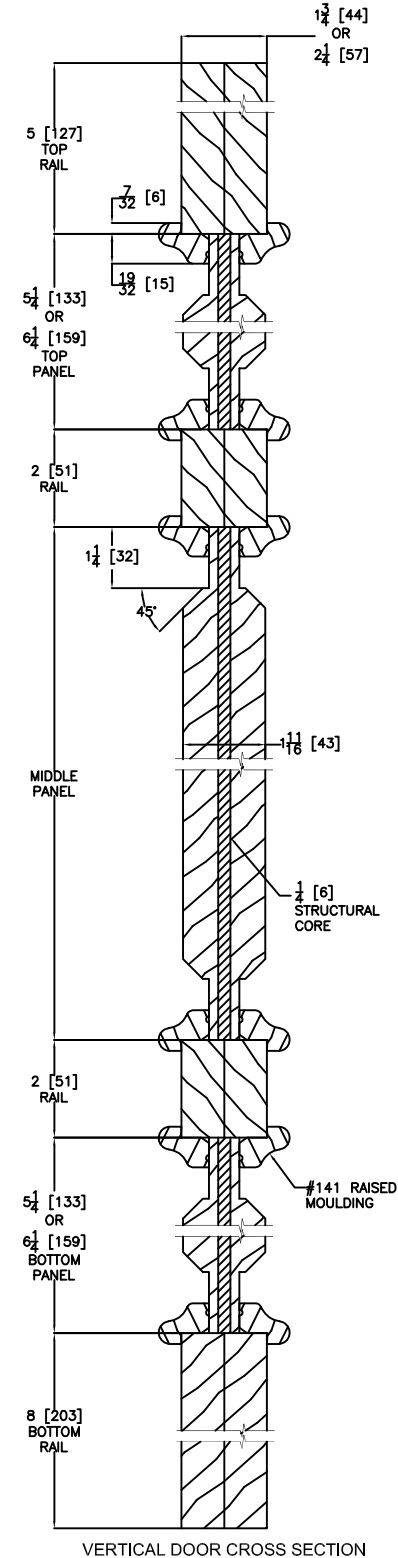


### ELEVATION NOTES

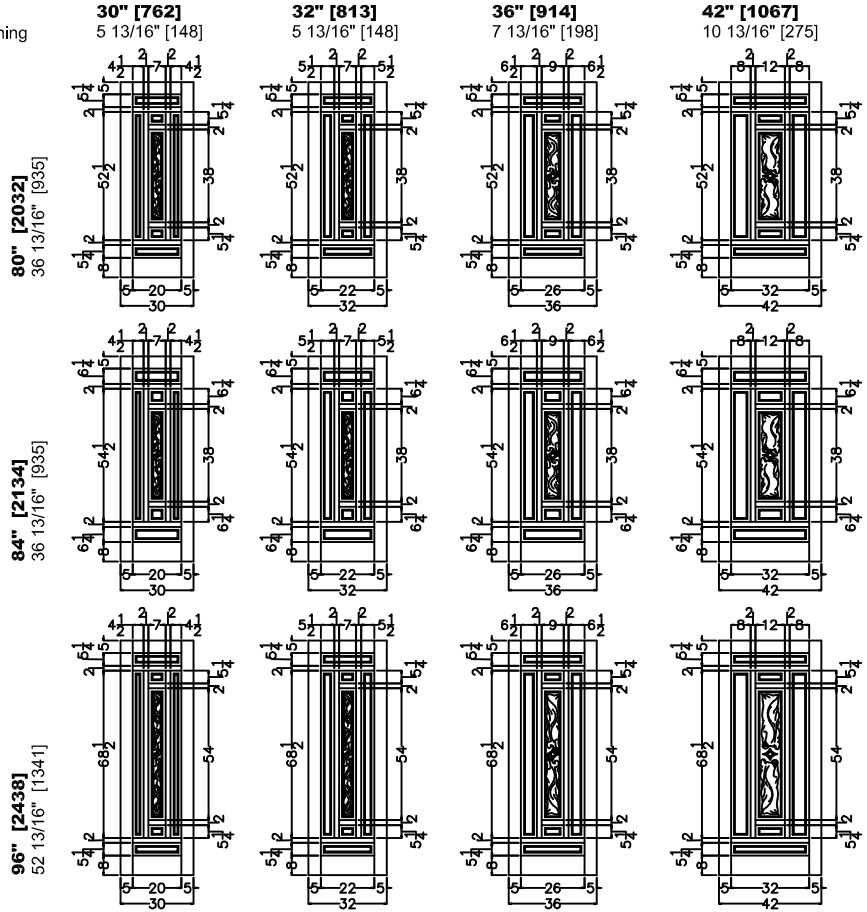
Door Size = Book Size Before Prefit  
 Daylight Opening (DLO) = Visible Glass  
 Values in brackets [ ] are millimeter conversions.  
 (CARVING OPTIONAL)

### DOOR CROSS-SECTION

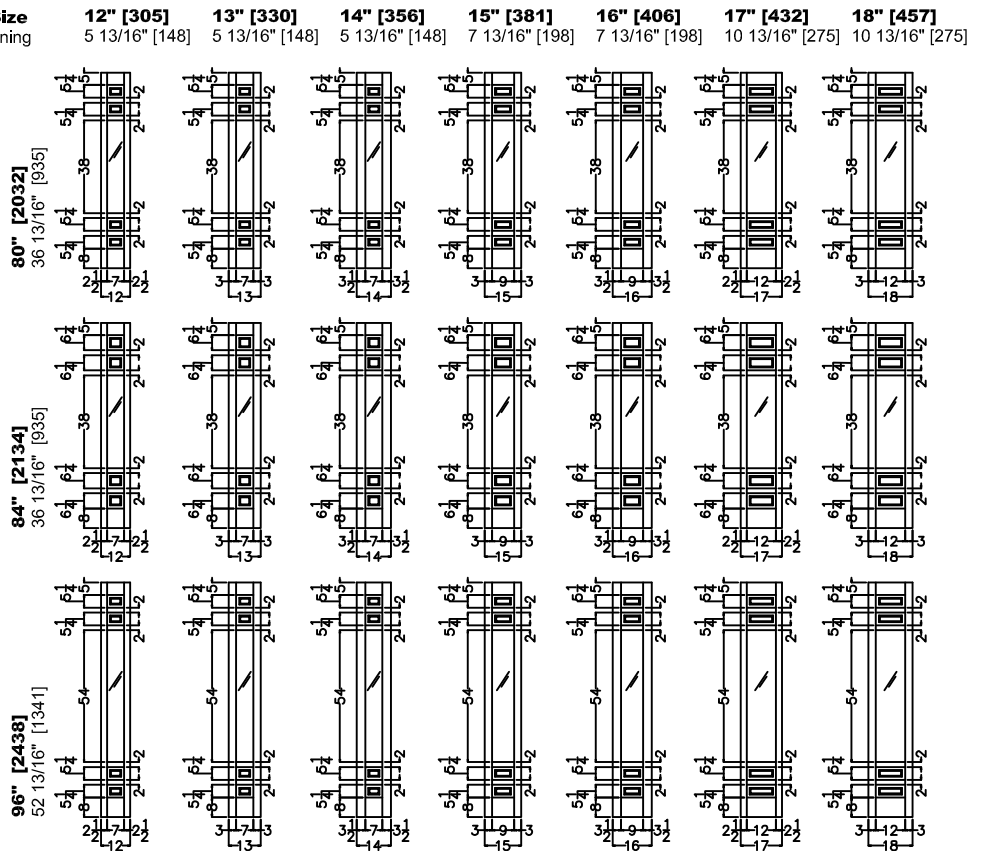
Moulding Profile = 141  
 Panel Profile = 45 Degree  
 See 302 Cross Section sheet for more detail.



**Door Size**  
 Daylight Opening



**Sidelight Size**  
 Daylight Opening

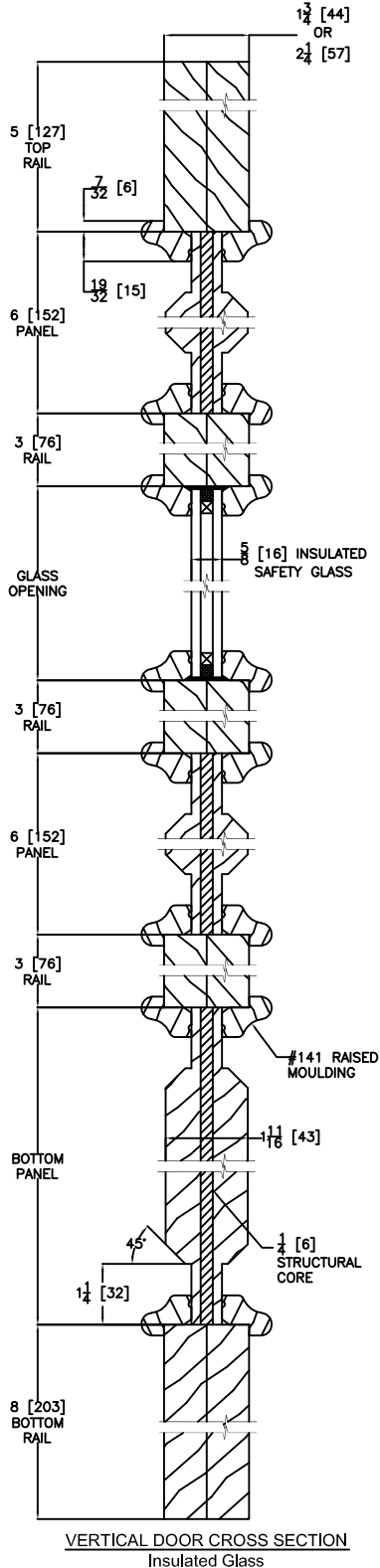


### ELEVATION NOTES

Door Size = Book Size Before Prefit  
 Daylight Opening (DLO) = Visible Glass  
 Values in brackets [ ] are millimeter conversions.

### DOOR CROSS-SECTION

Moulding Profile = 141  
 Panel Profile = 45 Degree  
 See 404 Cross Section sheet for more detail.



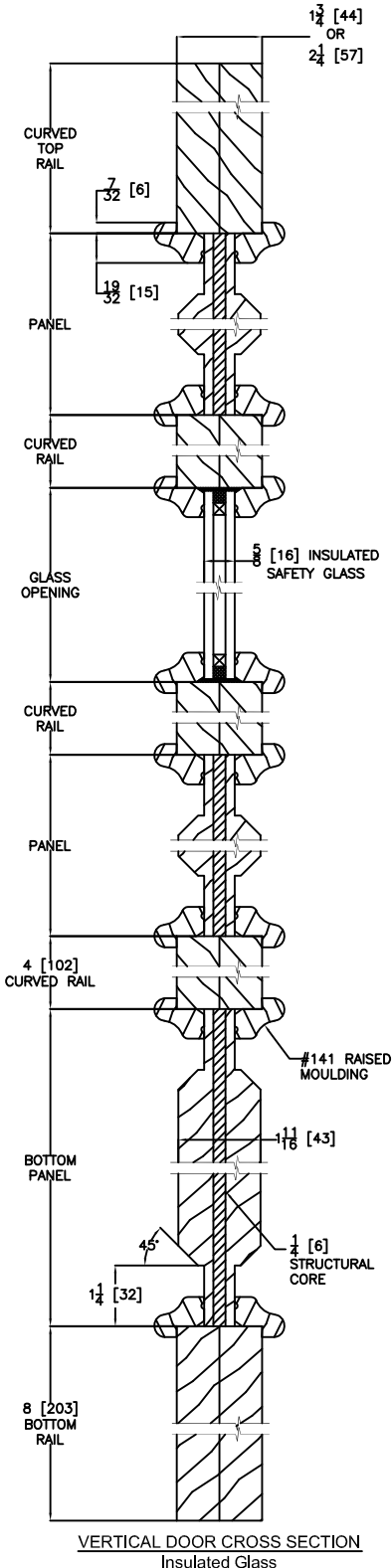
Door Size	30" [762]	32" [813]	36" [914]	42" [1067]			
Daylight Opening	7 13/16" [198]	7 13/16" [198]	9 13/16" [249]	11 13/16" [300]			
80" [2032]	18 13/16" [478]						
84" [2134]	18 13/16" [478]						
96" [2438]	26 13/16" [681]						
Sidelight Size	12" [305]	13" [330]	14" [356]	15" [381]	16" [406]	17" [432]	18" [457]
Daylight Opening	7 13/16" [198]	7 13/16" [198]	7 13/16" [198]	9 13/16" [249]	9 13/16" [249]	11 13/16" [300]	11 13/16" [300]
80" [2032]	36 13/16" [935]						
84" [2134]	36 13/16" [935]						
96" [2438]	52 13/16" [1341]						

### ELEVATION NOTES

Door Size = Book Size Before Prefit  
 Daylight Opening (DLO) = Visible Glass  
 Values in brackets [ ] are millimeter conversions.

### DOOR CROSS-SECTION

Moulding Profile = 141  
 Panel Profile = 45 Degree  
 See 425 Cross Section sheet for more detail.



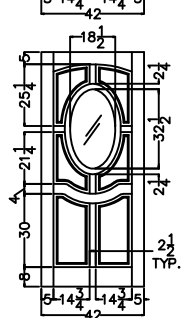
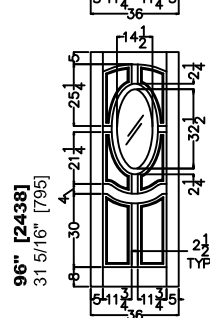
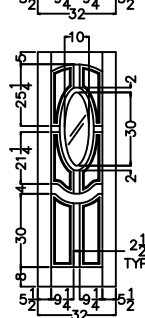
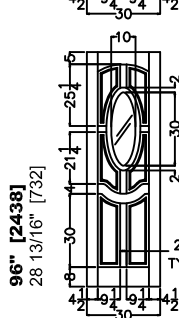
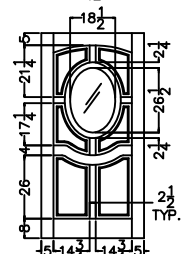
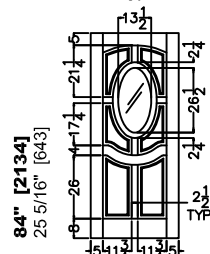
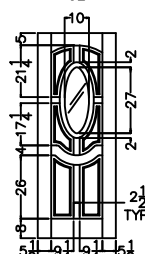
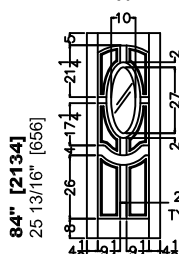
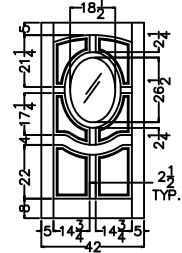
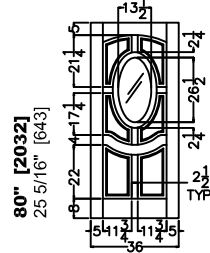
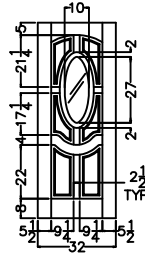
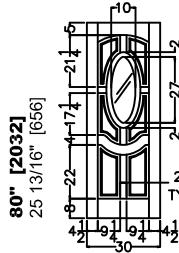
**Door Size**  
 Daylight Opening

**30" [762]**  
 8 13/16" [224]

**32" [813]**  
 8 13/16" [224]

**36" [914]**  
 12 5/16" [313]  
 13 5/16" [338]

**42" [1067]**  
 17 5/16" [440]

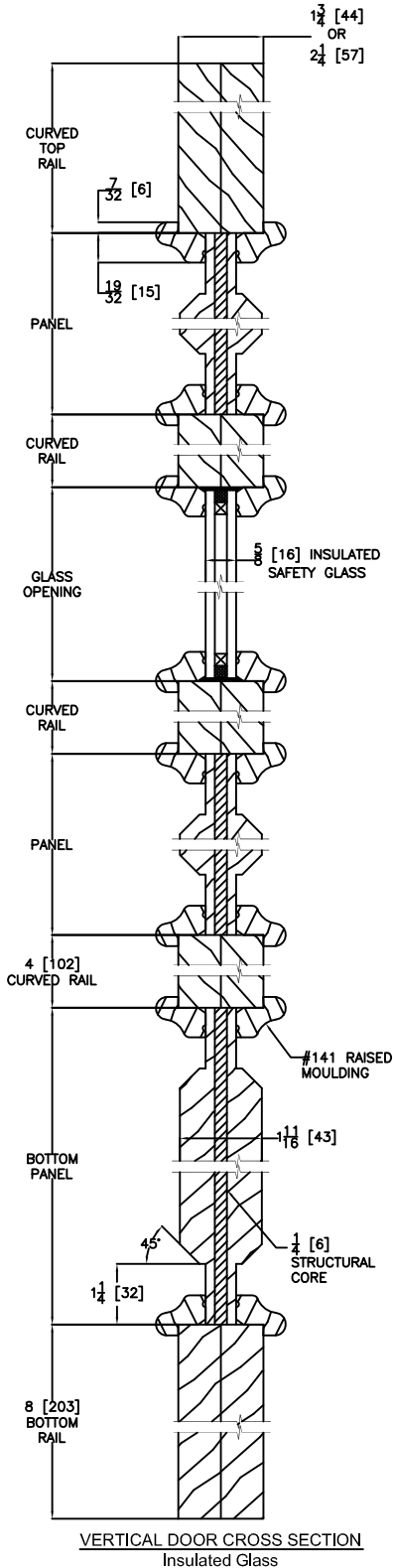


### ELEVATION NOTES

Door Size = Book Size Before Prefit  
 Daylight Opening (DLO) = Visible Glass  
 Values in brackets [ ] are millimeter conversions.

### DOOR CROSS-SECTION

Moulding Profile = 141  
 Panel Profile = 45 Degree  
 See 425 Cross Section sheet for more detail.



### RADIUS

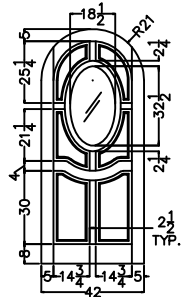
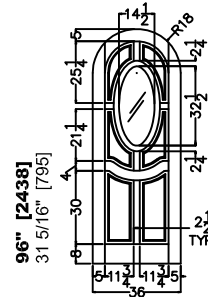
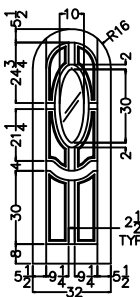
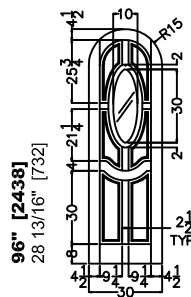
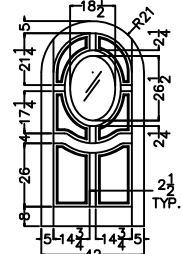
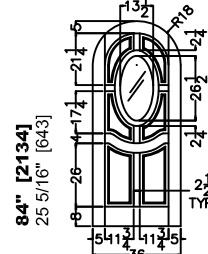
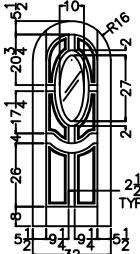
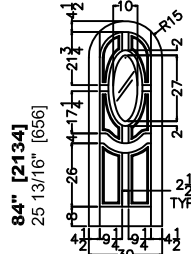
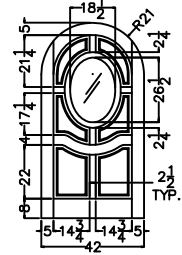
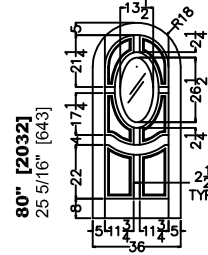
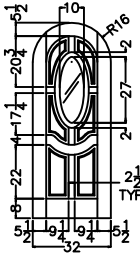
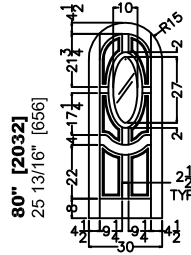
**Door Size**  
 Daylight Opening

**30" [762]**  
 8 13/16" [224]

**32" [813]**  
 8 13/16" [224]

**36" [914]**  
 12 5/16" [313]  
 13 5/16" [338]

**42" [1067]**  
 17 5/16" [440]



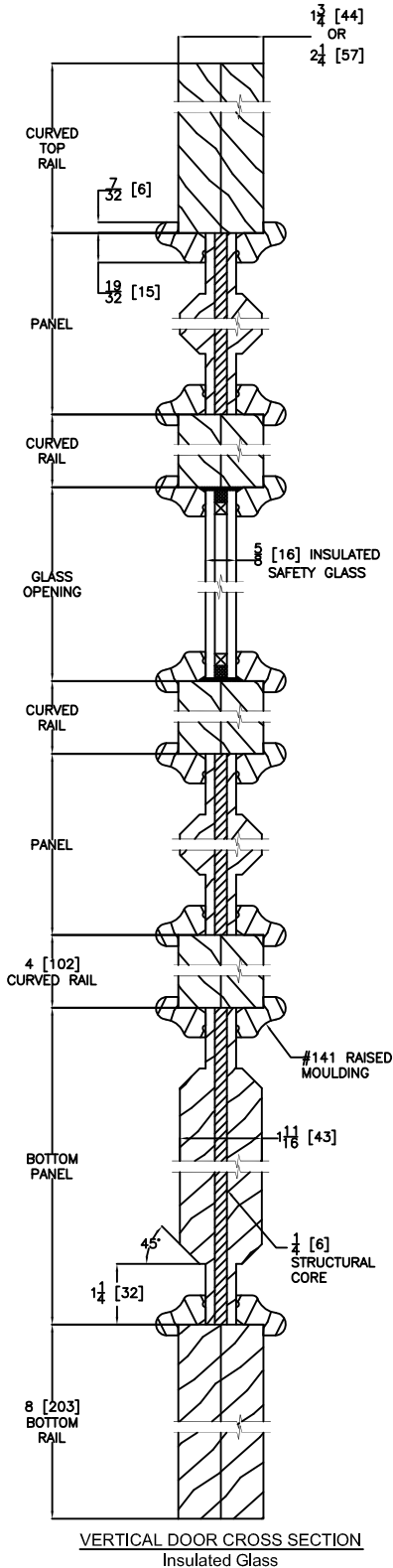


### ELEVATION NOTES

Door Size = Book Size Before Prefit  
 Daylight Opening (DLO) = Visible Glass  
 Values in brackets [ ] are millimeter conversions.

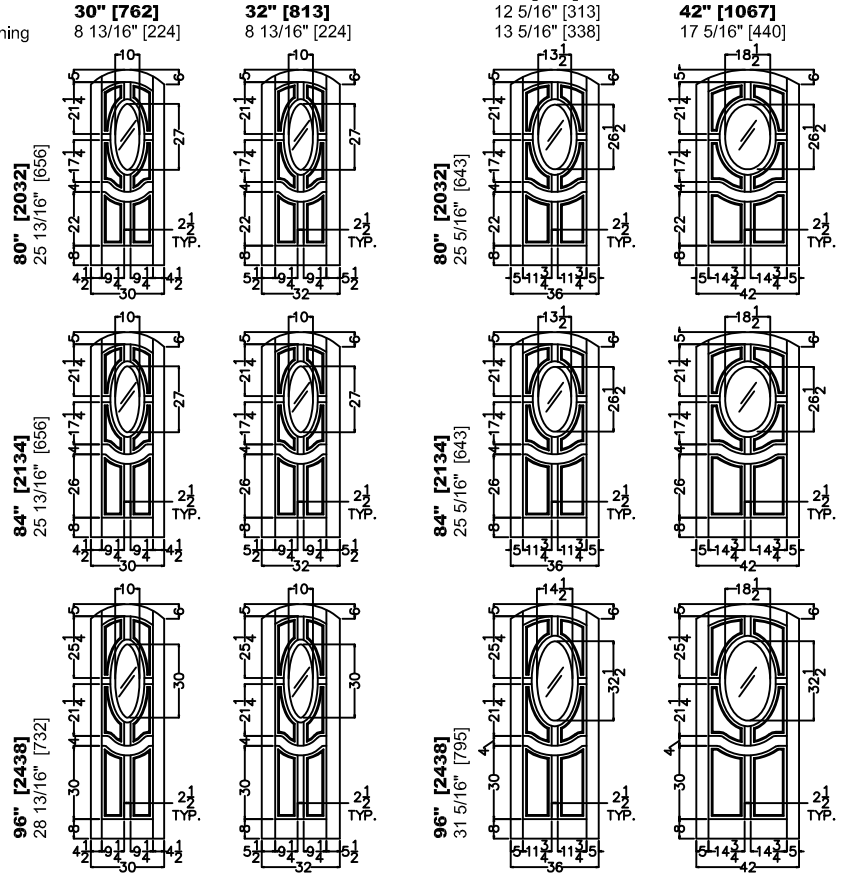
### DOOR CROSS-SECTION

Moulding Profile = 141  
 Panel Profile = 45 Degree  
 See 425 Cross Section sheet for more detail.



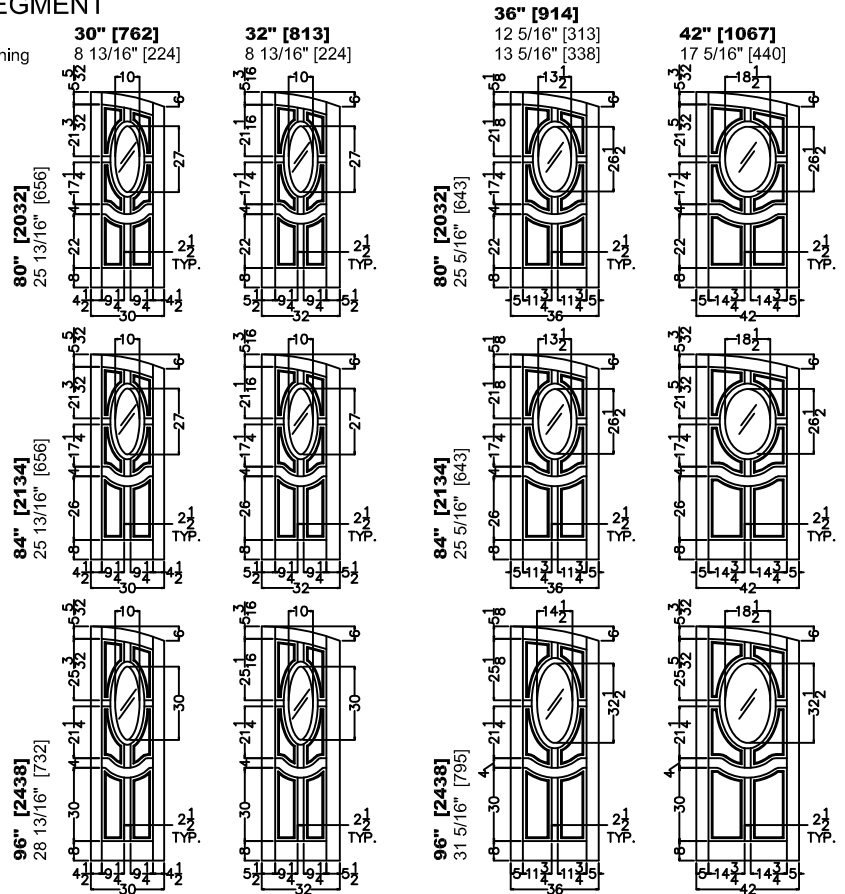
### SEGMENT

**Door Size**  
**Daylight Opening**



### HALF SEGMENT

**Door Size**  
**Daylight Opening**

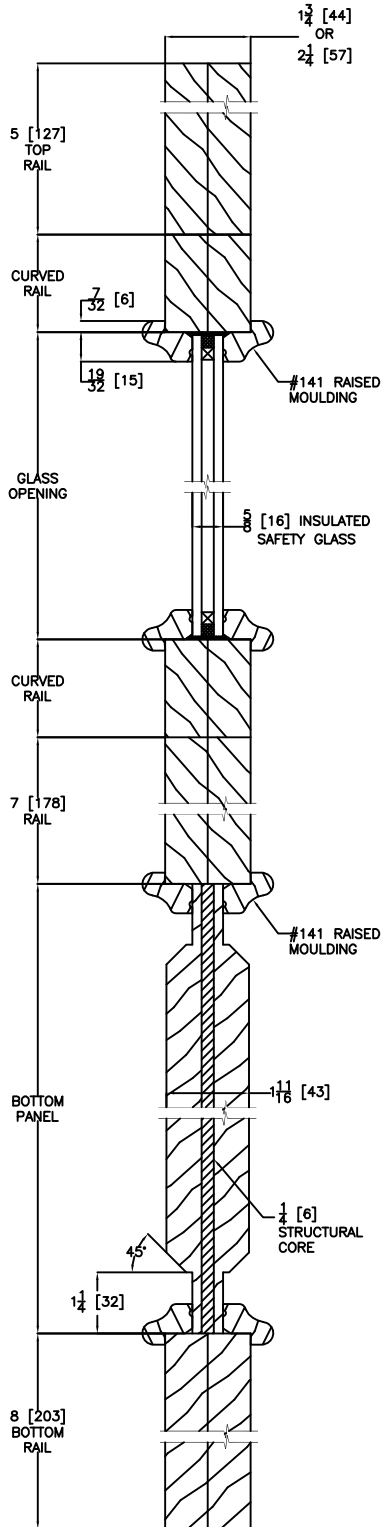


### ELEVATION NOTES

Door Size = Book Size Before Prefit  
 Daylight Opening (DLO) = Visible Glass  
 Values in brackets [ ] are millimeter conversions.

### DOOR CROSS-SECTION

Moulding Profile = 141  
 Panel Profile = 45 Degree  
 See 461 Cross Section sheet for more detail.



VERTICAL DOOR CROSS SECTION  
 Insulated Glass

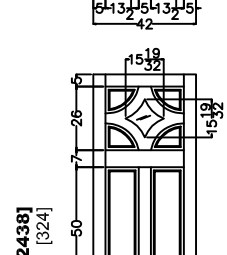
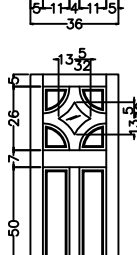
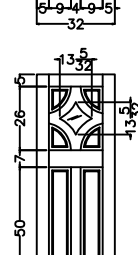
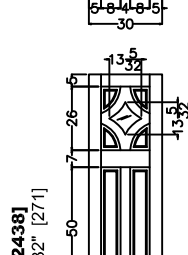
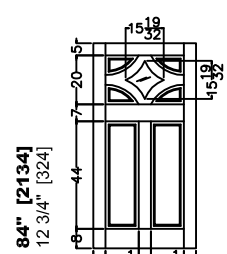
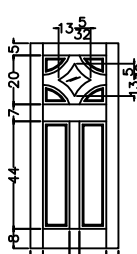
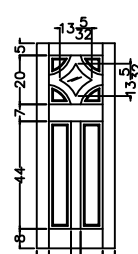
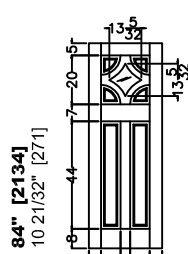
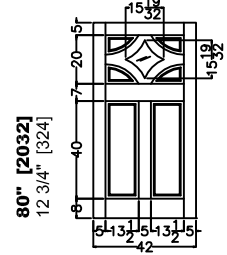
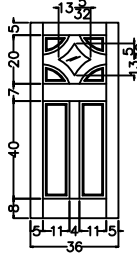
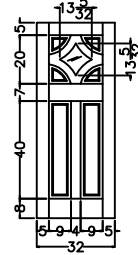
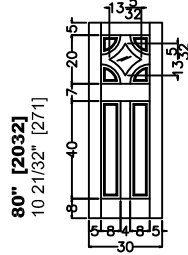
**Door Size**  
 Daylight Opening

**30" [762]**  
 10 21/32" [271]

**32" [813]**  
 10 21/32" [271]

**36" [914]**  
 10 21/32" [271]

**42" [1067]**  
 12 3/4" [324]



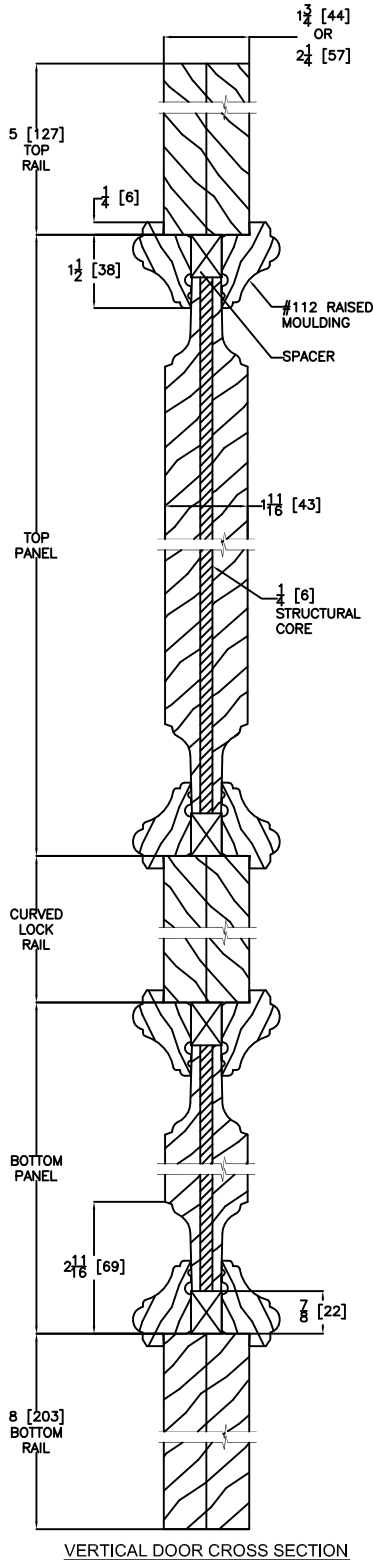


### ELEVATION NOTES

Door Size = Book Size Before Prefit  
Daylight Opening (DLO) = Visible Glass  
Values in brackets [ ] are millimeter conversions.

### DOOR CROSS-SECTION

Moulding Profile = 112 / Ovolo  
Panel Profile = Double Hip  
See 465 Cross Section sheet for more detail.



### SIDELIGHT OPTIONS

**1-LITE/1-PANEL**  
See 465 FLAT Drawing



**4-LITE TDL**



**FULL LITE**



### 4-LITE / 1-PANEL SIDELIGHT

Sidelight Size Daylight Opening	12" [305] 7 7/8" [200]	13" [330] 7 7/8" [200]	14" [356] 7 7/8" [200]	15" [381] 9 7/8" [251]	16" [406] 9 7/8" [251]	17" [432] 9 7/8" [251]	18" [457] 9 7/8" [251]
<b>80" [2032]</b> 10 27/32" [275]							
<b>84" [2134]</b> 10 27/32" [275]							
<b>96" [2438]</b> 13 27/32" [352]							

### FULL LITE SIDELIGHT

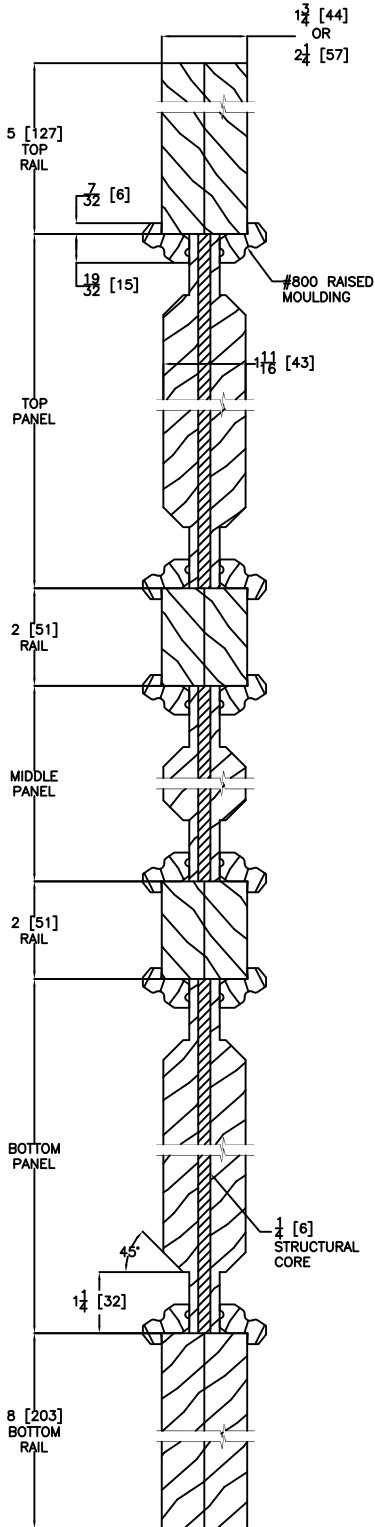
Sidelight Size Daylight Opening	12" [305] 6" [152]	13" [330] 6" [152]	14" [356] 6" [152]	15" [381] 8" [203]	16" [406] 8" [203]	17" [432] 8" [203]	18" [457] 8" [203]
<b>80" [2032]</b> 64" [1626]							
<b>84" [2134]</b> 68" [1727]							
<b>96" [2438]</b> 80" [2032]							

### ELEVATION NOTES

Door Size = Book Size Before Prefit  
 Daylight Opening (DLO) = Visible Glass  
 Values in brackets [ ] are millimeter conversions.

### DOOR CROSS-SECTION

Moulding Profile = 800  
 Panel Profile = 45 Degree  
 See 860 Cross Section sheet for more detail.



VERTICAL DOOR CROSS SECTION

**Door Size**  
 Daylight Opening

**30" [762]**  
 3 13/16" [97]

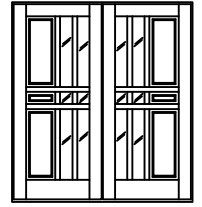
**32" [813]**  
 3 13/16" [97]

**36" [914]**  
 3 13/16" [97]

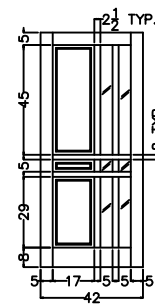
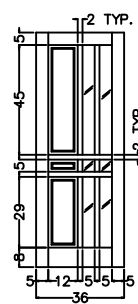
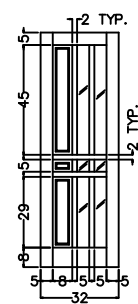
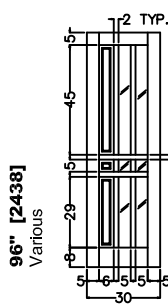
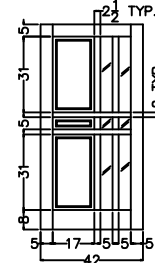
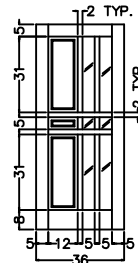
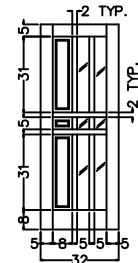
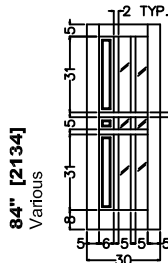
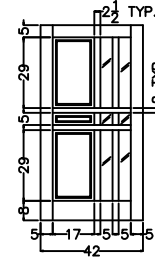
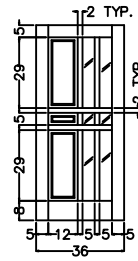
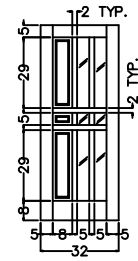
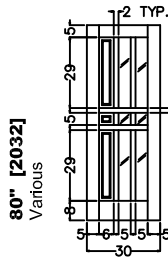
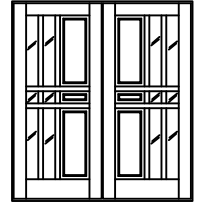
**42" [1067]**  
 3 13/16" [97]

### DOOR LAYOUTS

#### LAYOUT 1



#### LAYOUT 2



**Sidelight Size**  
 Daylight Opening

**12" [305]**  
 3 13/16" [97]

**13" [330]**  
 3 13/16" [97]

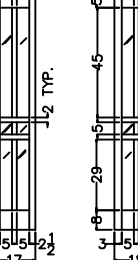
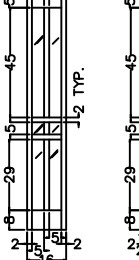
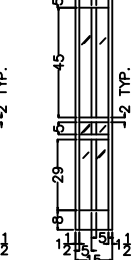
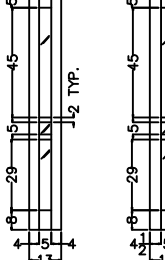
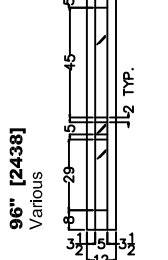
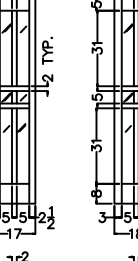
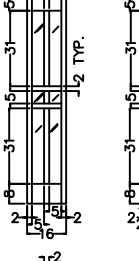
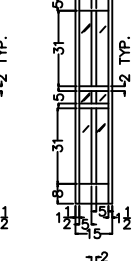
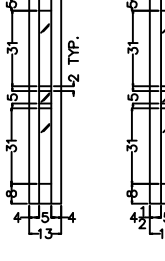
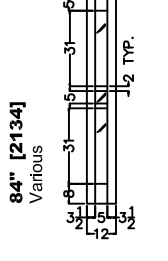
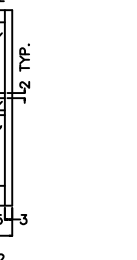
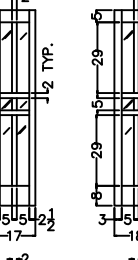
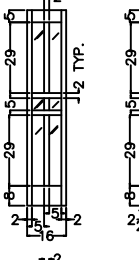
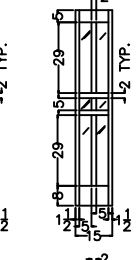
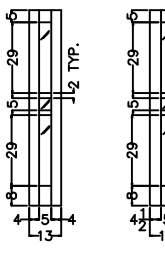
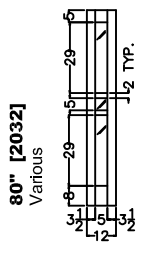
**14" [356]**  
 3 13/16" [97]

**15" [381]**  
 3 13/16" [97]

**16" [406]**  
 3 13/16" [97]

**17" [432]**  
 3 13/16" [97]

**18" [457]**  
 3 13/16" [97]

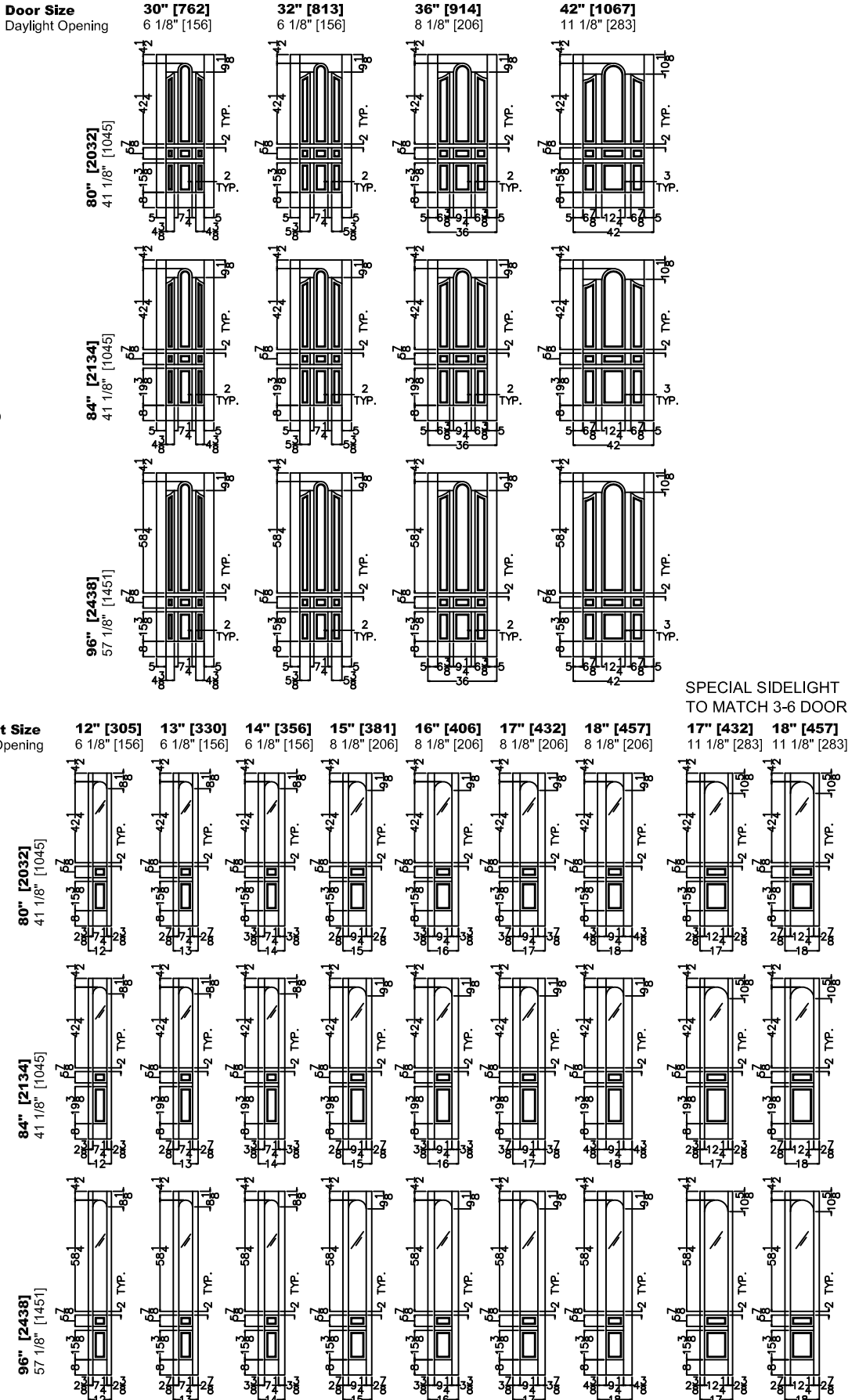
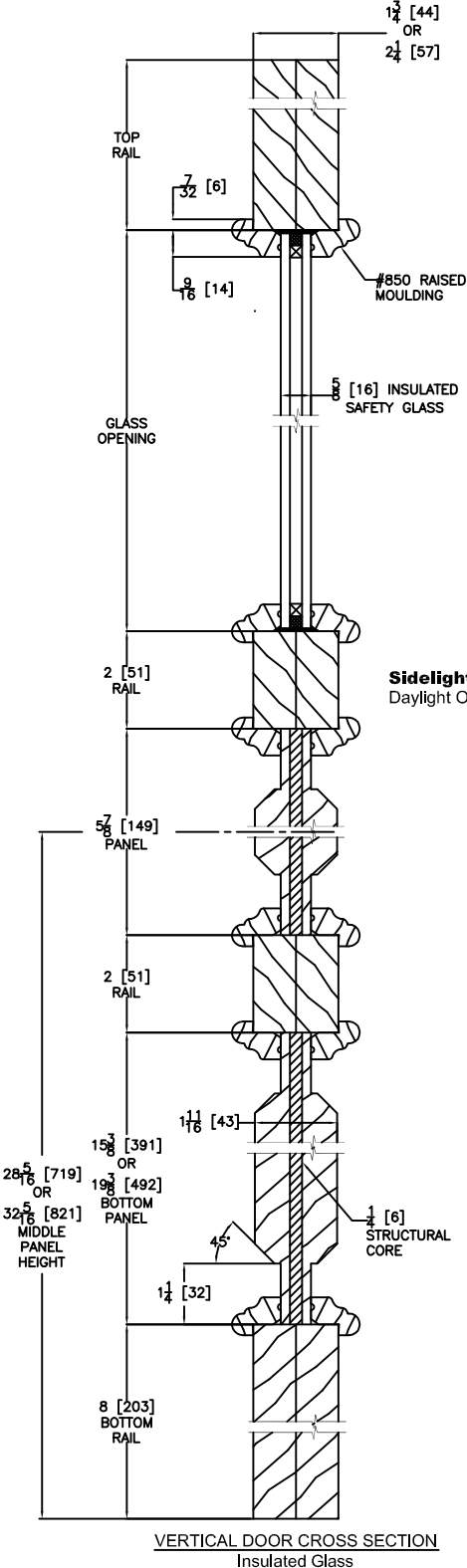


### ELEVATION NOTES

Door Size = Book Size Before Prefit  
 Daylight Opening (DLO) = Visible Glass  
 Values in brackets [ ] are millimeter conversions.

### DOOR CROSS-SECTION

Moulding Profile = 850  
 Panel Profile = 45 Degree  
 See 870 Cross Section sheet for more detail.



## DECORATIVE ACCENTS



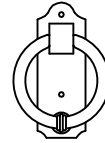
### ROUND CLAVOS

Size Options: 1" diameter, 1.75" diameter  
 Finish Options: Dark Patina, Rust Patina  
 Material: Aluminum with Powder Coat Finish



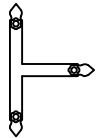
### DIAMOND CLAVOS

Size Options: 1", 1.75"  
 Finish Options: Dark Patina, Rust Patina  
 Material: Aluminum with Powder Coat Finish



### COLONIAL DOOR KNOCKER

Base: 2" Wide x 5 5/8" Tall, Handle: 4" Wide  
 Finish Options: Dark Patina, Rust Patina  
 Material: Iron



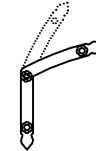
### RAIL STRAP

Finish Options: Dark Patina, Rust Patina  
 Material: Aluminum with Powder Coat Finish



### CORNER STRAP

Finish Options: Dark Patina, Rust Patina  
 Material: Aluminum with Powder Coat Finish

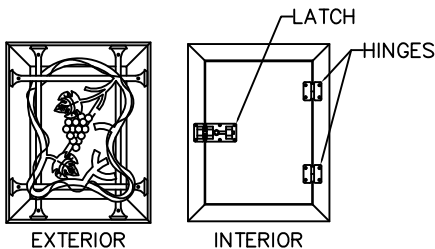


### RADIUS STRAP

Finish Options: Dark Patina, Rust Patina  
 Material: Aluminum with Powder Coat Finish  
 Adjustable for Segment/Radius Shapes

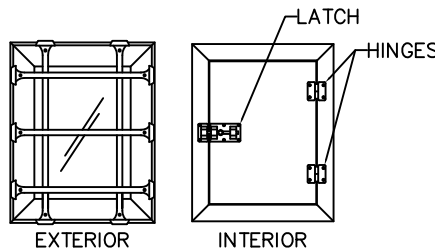
## SPEAKEASY/DOOR LIGHT

Glass Options: Clear IG, Clear SG, Bevel IG, Bevel SG, Glue Chip IG,  
 Low E IG, Rain IG, Reed IG, Frosted IG, Open for Glass  
 Handing: Will be Handed to Match the Door unless Otherwise Specified  
 Frame Size: 11 3/4" x 14 3/4", Daylight Opening: 8" x 11", Actual Glass Size: 8 7/8" x 11 7/8"



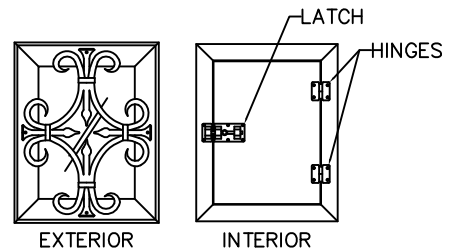
### SPEAKEASY, BORDEAUX GRILLE

Hardware Finish Options: Dark Patina, Rust Patina  
 Material: Wood Frame / Iron Hardware



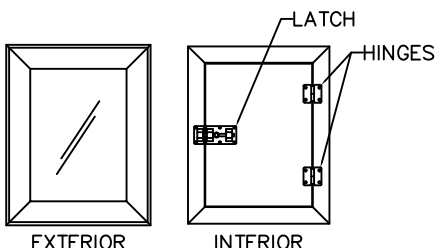
### SPEAKEASY, RUSTIC GRILLE

Hardware Finish Options: Dark Patina, Rust Patina  
 Material: Wood Frame / Iron Hardware



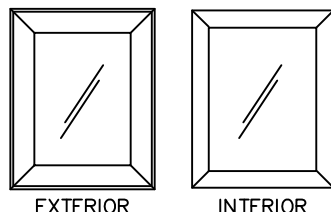
### SPEAKEASY, SEVILLE GRILLE

Hardware Finish Options: Dark Patina, Rust Patina  
 Material: Wood Frame / Iron Hardware



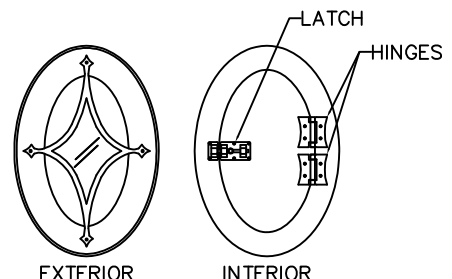
### SPEAKEASY (NO GRILLE)

Hardware Finish Options: Dark Patina, Rust Patina  
 Material: Wood Frame / Iron Hardware



### RECTANGLE DOOR LIGHT

Hardware Finish Options: n/a  
 Material: Wood Frame  
 Available with All Speakeasy Grilles



### OVAL SPEAKEASY, VICTORIAN GRILLE

Hardware Finish Options: Dark Patina, Rust Patina  
 Material: Wood Frame / Iron Hardware  
 Frame Size: 12" x 17 1/2"



**#20 CASING**  
2 1/4" X 1 1/8"



**#20 w/ STUCCO KEY**  
2 1/4" X 1 1/8"



**#22 CASING**  
2" X 1 1/8"



**#13 CASING**  
3 1/2" X 3/4"



**#14 CASING**  
2 1/4" X 3/4"



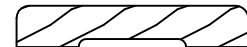
**#15 CASING**  
3 1/2" X 3/4"



**#16 CASING**  
2 1/4" X 3/4"



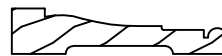
**#17 CASING**  
4 1/2" X 1 3/16"



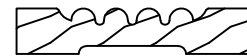
**#21 CASING**  
3 1/2" X 5/8"



**#23 CASING**  
3 1/2" X 1 1/8"



**#24 CASING**  
3 1/4" X 11/16"



**#25 CASING**  
3 1/2" X 11/16"

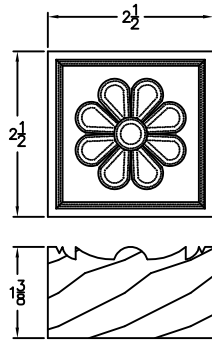
**Notes:**

Shown here are standard trim options.

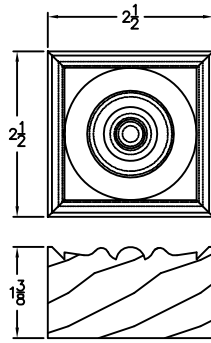
Special size casing or custom profile casing may be available upon request.



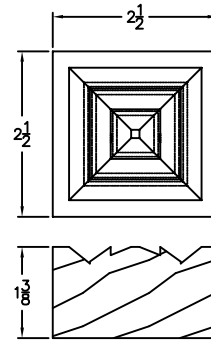
EXTERIOR CORNER BLOCK



"A" BLOCK  
2 1/2" X 2 1/2"

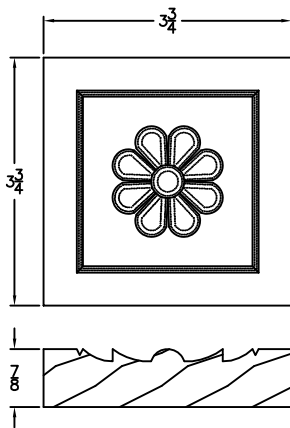


"B" BLOCK  
2 1/2" X 2 1/2"

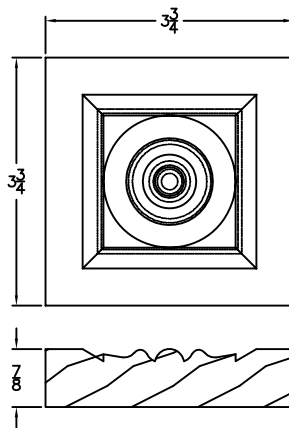


"C" BLOCK  
2 1/2" X 2 1/2"

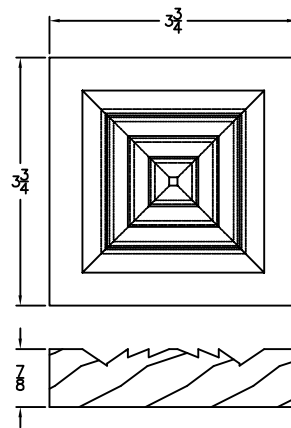
INTERIOR CORNER BLOCK



"A" BLOCK  
3 3/4" X 3 3/4"



"B" BLOCK  
3 3/4" X 3 3/4"



"C" BLOCK  
3 3/4" X 3 3/4"

**Notes:**

Interior corner block may be used for exterior application and vice versa.

#### INSULATED GLASS

- Clear Safety
- Clear Beveled
- Glue Chip
- Low-E
- Rain
- Reed
- Frosted

#### TRIPLE GLAZED

A - B

#### "A" GLASS

**Door Size**  
Glass Size

**LEGEND**  
CB-Clear Bevel  
GC-Glue Chip  
WW-Clear Water

	<b>12-14"</b> 7 1/8"	<b>15-18"</b> 9 1/8"	<b>17-18"</b> 12 1/8"
<b>80/84" Door</b> 42 1/8" Glass			
<b>96" Door</b> 50 1/8" Glass			

#### "B" GLASS

**Door Size**  
Glass Size

**LEGEND**  
GV-Glue Chip Bevel

	<b>12-14"</b> 7 1/8"	<b>15-18"</b> 9 1/8"	<b>17-18"</b> 12 1/8"		<b>30/32"</b> 7 1/8"	<b>36"</b> 9 1/8"	<b>42"</b> 12 1/8"
<b>80/84" Door</b> 42 1/8" Glass							
<b>96" Door</b> 50 1/8" Glass							

### INSULATED GLASS

Clear Safety  
 Clear Beveled  
 Glue Chip  
 Low-E  
 Rain  
 Reed  
 Frosted

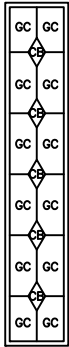
### TRIPLE GLAZED

B

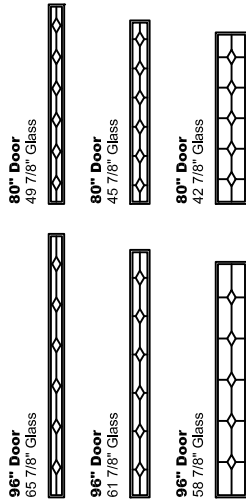
### "B" GLASS

Door Size  
 Glass Size

**30/32"** 3 7/8"  
**36"** 4 7/8"  
**42"** 7 7/8"



LEGEND  
 CB-Clear Bevel  
 GC-Glue Chip



### INSULATED GLASS

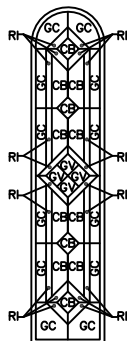
Clear Safety  
Clear Beveled  
Glue Chip  
Low-E  
Rain  
Reed  
Frosted

### TRIPLE GLAZED

D - R

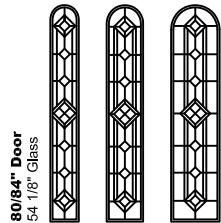
#### "D" GLASS

Door Size  
Glass Size

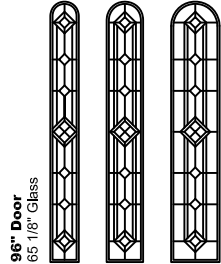


**LEGEND**  
CB-Clear Bevel  
GC-Glue Chip  
GV-Glue Chip Bevel  
RI-Ripple

12-14" 15-18" 17-18"  
30/32" 36" 42"  
7 1/8" 9 1/8" 12 1/8"



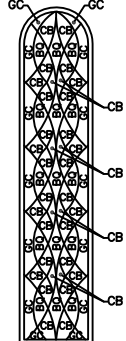
80/84" Door  
54 1/8" Glass



96" Door  
65 1/8" Glass

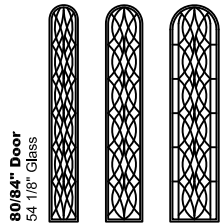
#### "R" GLASS

Door Size  
Glass Size

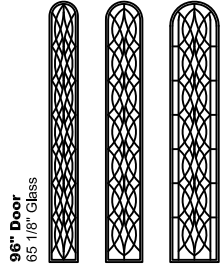


**LEGEND**  
CB-Clear Bevel  
GC-Glue Chip  
BQ-Clear Baroque

12-14" 15-18" 17-18"  
30/32" 36" 42"  
7 1/8" 9 1/8" 12 1/8"



80/84" Door  
54 1/8" Glass



96" Door  
65 1/8" Glass

### INSULATED GLASS

Clear Safety  
Clear Beveled  
Glue Chip  
Low-E  
Rain  
Reed  
Frosted

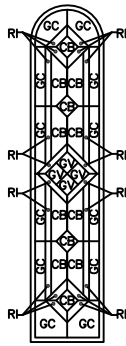
Clear Fountain (Cast Glass)  
Blue Fountain (Cast Glass)  
Grey Fountain (Cast Glass)

### TRIPLE GLAZED

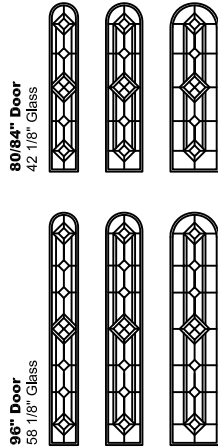
D - J - Q - R - T

#### "D" GLASS

Door Size	12-14"	15-18"	17-18"
Glass Size	30/32"	36"	42"
	7 1/8"	9 1/8"	12 1/8"

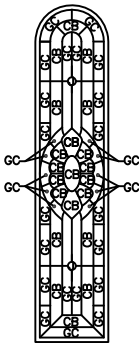


**LEGEND**  
CB-Clear Bevel  
GC-Glue Chip  
GV-Glue Chip Bevel  
RI-Ripple

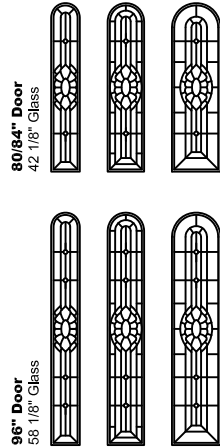


#### "J" GLASS

Door Size	12-14"	15-18"	17-18"
Glass Size	30/32"	36"	42"
	7 1/8"	9 1/8"	12 1/8"

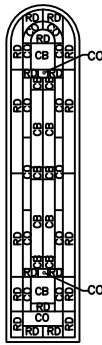


**LEGEND**  
CB-Clear Bevel  
GC-Glue Chip  
J-Jewel

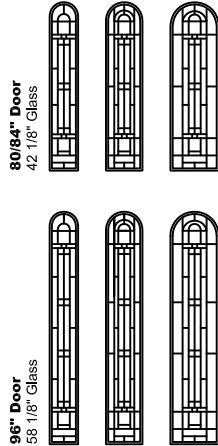


#### "Q" GLASS

Door Size	12-14"	15-18"	17-18"
Glass Size	30/32"	36"	42"
	7 1/8"	9 1/8"	12 1/8"

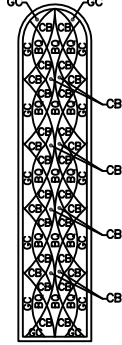


**LEGEND**  
CB-Clear Bevel  
CO-Cotswald  
RD-Reed

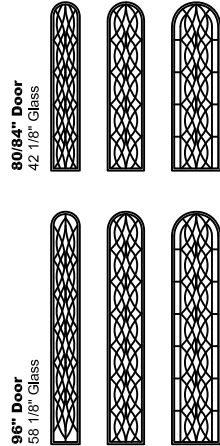


#### "R" GLASS

Door Size	12-14"	15-18"	17-18"
Glass Size	30/32"	36"	42"
	7 1/8"	9 1/8"	12 1/8"

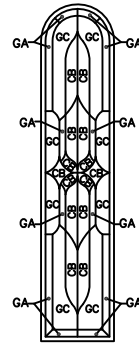


**LEGEND**  
CB-Clear Bevel  
GC-Glue Chip  
BQ-Clear Baroque

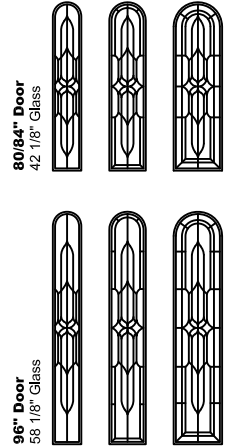


#### "T" GLASS

Door Size	12-14"	15-18"	17-18"
Glass Size	30/32"	36"	42"
	7 1/8"	9 1/8"	12 1/8"



**LEGEND**  
CB-Clear Bevel  
GC-Glue Chip  
GA-Clear Gotta



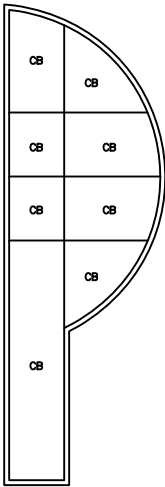
INSULATED GLASS

Clear Safety  
Clear Beveled  
Glue Chip  
Low-E  
Rain  
Reed  
Frosted

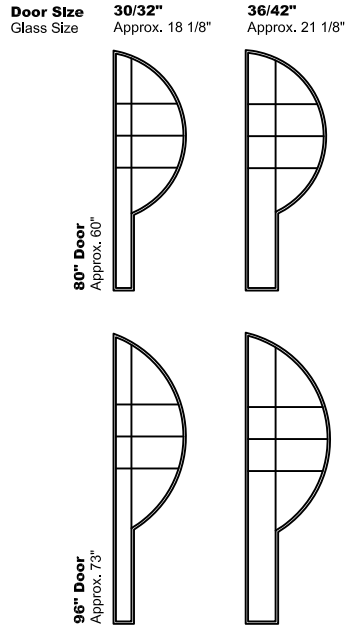
TRIPLE GLAZED

E

"E" GLASS



LEGEND  
CB-Clear Bevel



### INSULATED GLASS

Clear Safety  
 Clear Beveled  
 Glue Chip  
 Low-E  
 Rain  
 Reed  
 Frosted

### TRIPLE GLAZED

D - J - Q - R - T

**"D" GLASS**

<b>Door Size</b>	30/32"	36"	42"
<b>Glass Size</b>	12"-14"	15"-16"	17"-18"
	6 7/8"	8 7/8"	11 7/8"

**80/84" Door**  
37 7/8" Glass

**96" Door**  
53 7/8" Glass

**LEGEND**  
 CB-Clear Bevel  
 GC-Glue Chip  
 GV-Glue Chip Bevel  
 RI-Ripple

**"J" GLASS**

<b>Door Size</b>	30/32"	36"	42"
<b>Glass Size</b>	12"-14"	15"-16"	17"-18"
	6 7/8"	8 7/8"	11 7/8"

**80/84" Door**  
37 7/8" Glass

**96" Door**  
53 7/8" Glass

**LEGEND**  
 CB-Clear Bevel  
 GC-Glue Chip  
 J-Jewel

**"Q" GLASS**

<b>Door Size</b>	30/32"	36"	42"
<b>Glass Size</b>	12"-14"	15"-16"	17"-18"
	6 7/8"	8 7/8"	11 7/8"

**80/84" Door**  
37 7/8" Glass

**96" Door**  
53 7/8" Glass

**LEGEND**  
 CB-Clear Bevel  
 CO-Cotswald  
 RD-Reed

**"R" GLASS**

<b>Door Size</b>	30/32"	36"	42"
<b>Glass Size</b>	12"-14"	15"-16"	17"-18"
	6 7/8"	8 7/8"	11 7/8"

**80/84" Door**  
37 7/8" Glass

**96" Door**  
53 7/8" Glass

**LEGEND**  
 CB-Clear Bevel  
 GC-Glue Chip  
 BQ-Clear Baroque

**"T" GLASS**

<b>Door Size</b>	30/32"	36"	42"
<b>Glass Size</b>	12"-14"	15"-16"	17"-18"
	6 7/8"	8 7/8"	11 7/8"

**80/84" Door**  
37 7/8" Glass

**96" Door**  
53 7/8" Glass

**LEGEND**  
 CB-Clear Bevel  
 GC-Glue Chip  
 GA-Clear Gotta

### INSULATED GLASS

Clear Safety  
Clear Beveled  
Glue Chip  
Low-E  
Rain  
Reed  
Frosted

### TRIPLE GLAZED

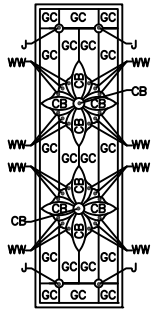
A

#### "A" GLASS

**Door Size**  
Glass Size

**30-32"** 8 7/8"  
**36"** 10 7/8"  
**42"** 12 7/8"

**12-14"** 8 7/8"  
**15-16"** 10 7/8"  
**17-18"** 12 7/8"



#### LEGEND

CB-Clear Bevel  
GC-Glue Chip  
WW-Clear Water  
J-Jewel

**80/84" Door**  
19 7/8" Glass



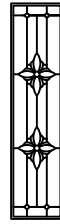
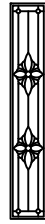
**80/84" Door**  
37 7/8" Glass



**96" Door**  
27 7/8" Glass



**96" Door**  
53 7/8" Glass





### INSULATED GLASS

---

Clear Safety  
Clear Beveled  
Glue Chip  
Low-E  
Rain  
Reed  
Frosted

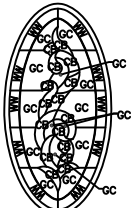
### TRIPLE GLAZED

---

VR

#### "VR" GLASS

**Door Size**  
Glass Size



**LEGEND**  
CB-Clear Bevel  
GC-Glue Chip  
WW-Clear Water

**30/32"**  
9 7/8"



**80/84" Door**  
26 7/8" Glass

**30/32"**  
9 7/8"



**96" Door**  
29 7/8" Glass

**36"**  
13 3/8"



**80/84" Door**  
26 3/8" Glass

**36"**  
14 3/8"



**96" Door**  
32 3/8" Glass

**42"**  
18 3/8"



**42"**  
18 3/8"



### INSULATED GLASS

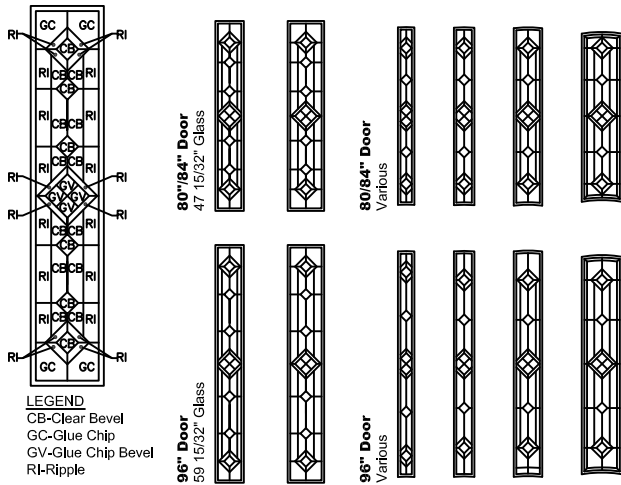
Clear Safety  
 Clear Beveled  
 Glue Chip  
 Low-E  
 Rain  
 Reed  
 Frosted

### TRIPLE GLAZED

D - L - T

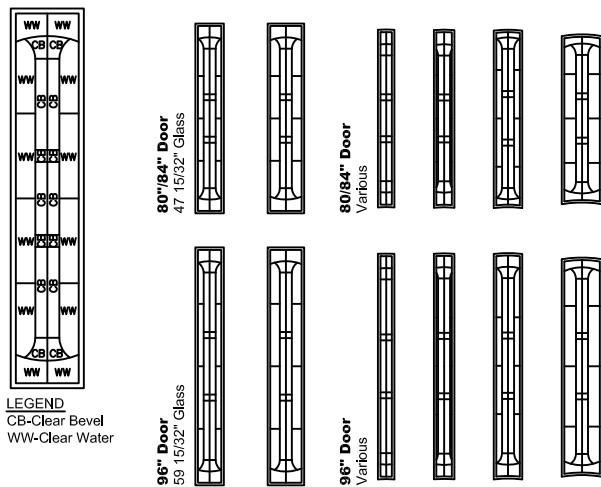
#### "D" GLASS

Door Size	12"-14"	15"-18"	30"	32"	36"	42"
Glass Size	7 1/8"	9 1/8"	4 1/8"	5 1/8"	7 1/8"	10 1/8"



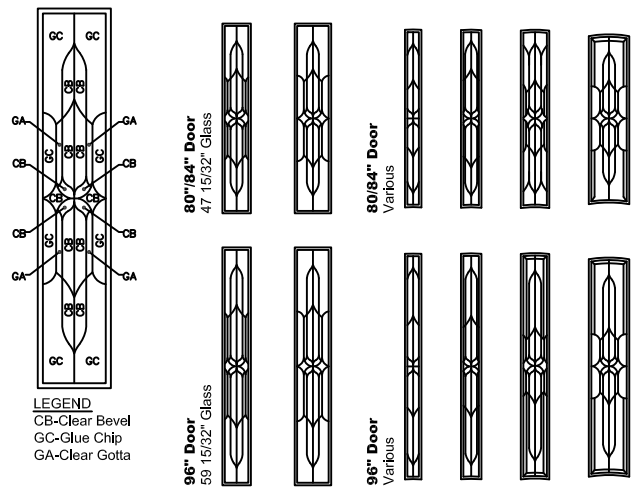
#### "L" GLASS

Door Size	12"-14"	15"-18"	30"	32"	36"	42"
Glass Size	7 1/8"	9 1/8"	4 1/8"	5 1/8"	7 1/8"	10 1/8"



#### "T" GLASS

Door Size	12"-14"	15"-18"	30"	32"	36"	42"
Glass Size	7 1/8"	9 1/8"	4 1/8"	5 1/8"	7 1/8"	10 1/8"



### INSULATED GLASS

Clear Safety  
Clear Beveled  
Glue Chip  
Low-E  
Rain  
Reed  
Frosted

### TRIPLE GLAZED

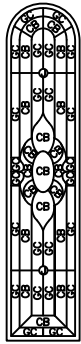
A - B - C - D

#### "A" GLASS

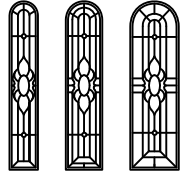
Door Size

Glass Size

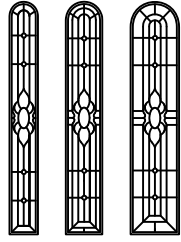
12-14" 15-18" 17-18"  
30/32" 36" 42"  
7 1/8" 9 1/8" 12 1/8"



80/84" Door  
42 1/8" Glass



96" Door  
58 1/8" Glass



#### LEGEND

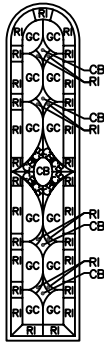
CB-Clear Bevel  
GC-Glue Chip  
J-Jewel

#### "B" GLASS

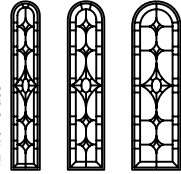
Door Size

Glass Size

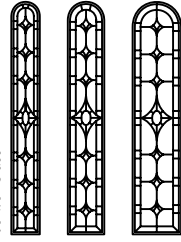
12-14" 15-18" 17-18"  
30/32" 36" 42"  
7 1/8" 9 1/8" 12 1/8"



80/84" Door  
42 1/8" Glass



96" Door  
58 1/8" Glass



#### LEGEND

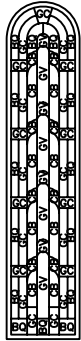
CB-Clear Bevel  
GC-Glue Chip  
RI-Ripple

#### "C" GLASS

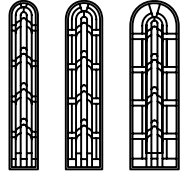
Door Size

Glass Size

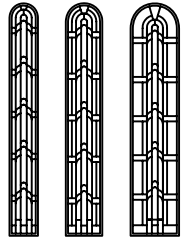
12-14" 15-18" 17-18"  
30/32" 36" 42"  
7 1/8" 9 1/8" 12 1/8"



80/84" Door  
42 1/8" Glass



96" Door  
58 1/8" Glass



#### LEGEND

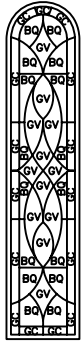
CB-Clear Bevel  
GC-Glue Chip  
GV-Glue Chip Bevel  
BQ-Clear Baroque

#### "D" GLASS

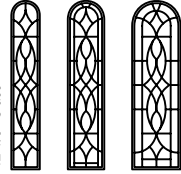
Door Size

Glass Size

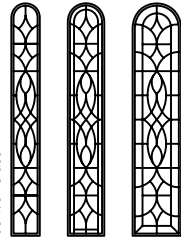
12-14" 15-18" 17-18"  
30/32" 36" 42"  
7 1/8" 9 1/8" 12 1/8"



80/84" Door  
42 1/8" Glass

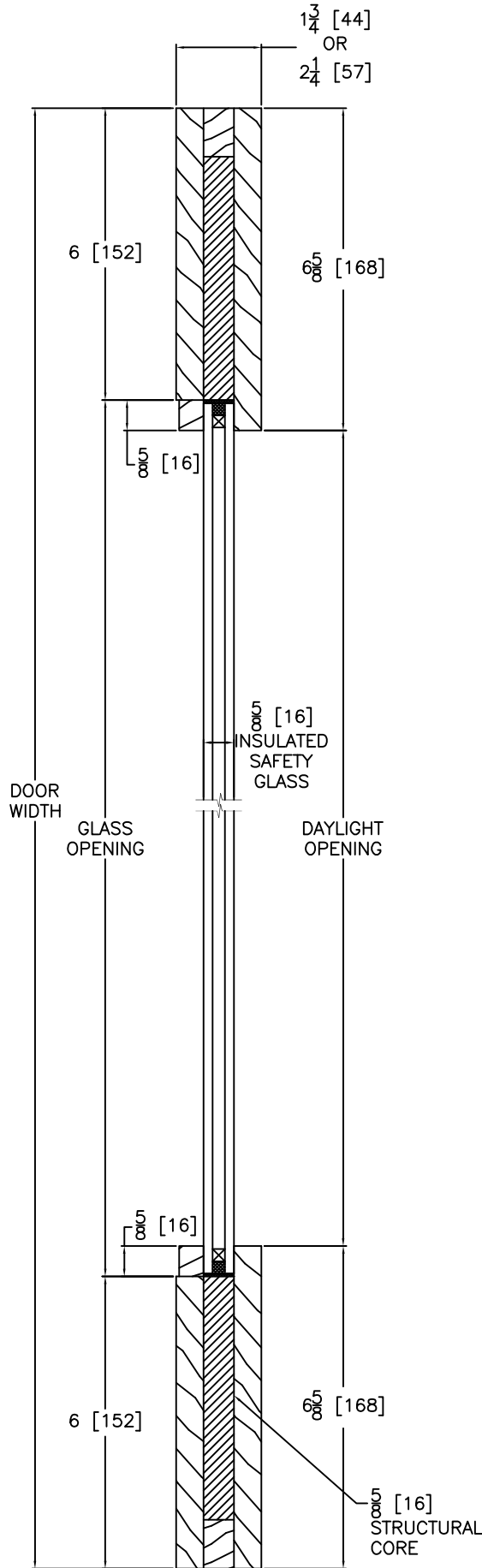
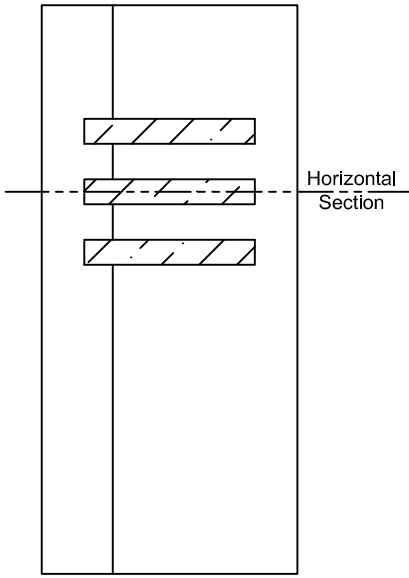


96" Door  
58 1/8" Glass



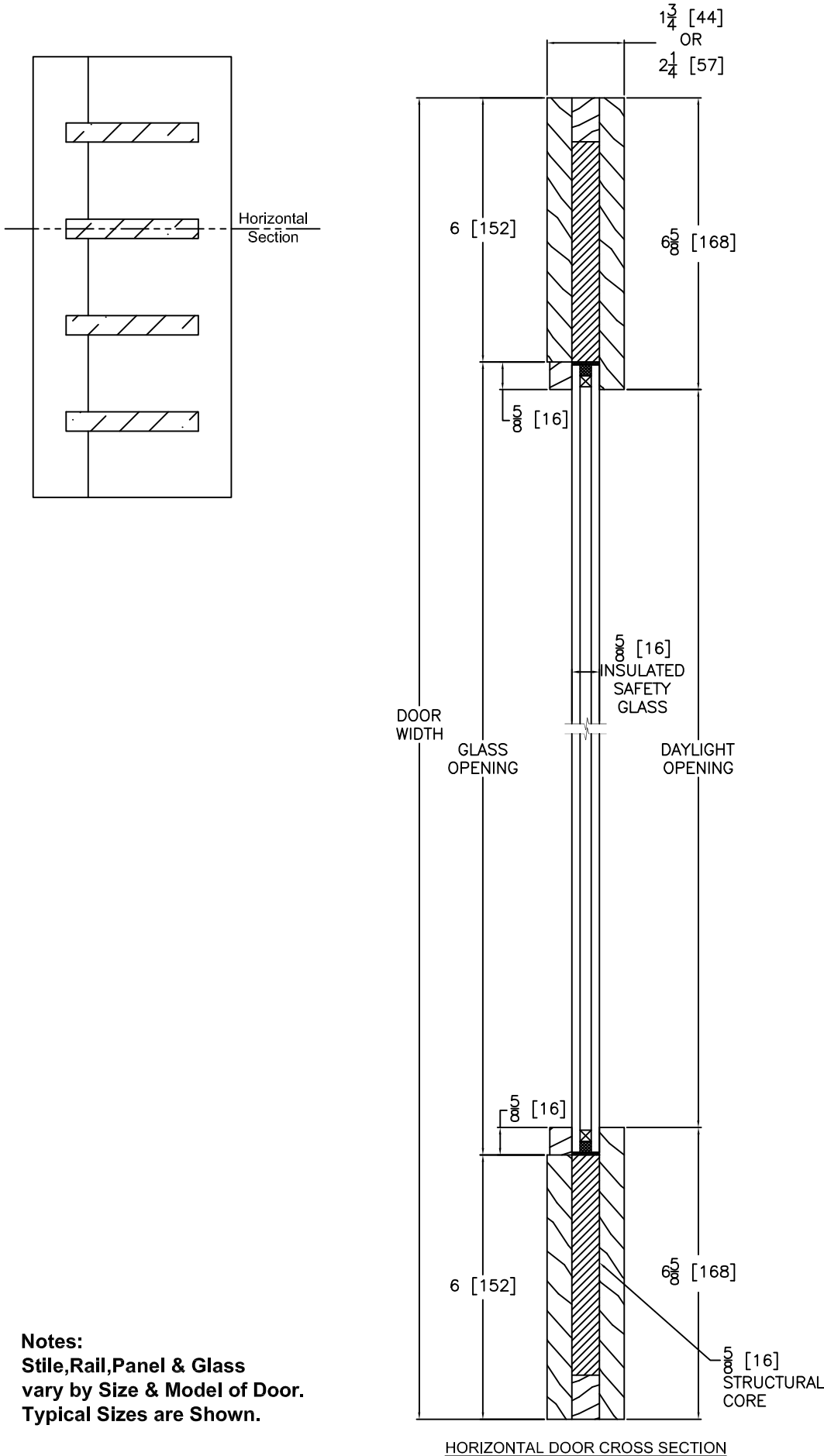
#### LEGEND

GC-Glue Chip  
GV-Glue Chip Bevel  
BQ-Clear Baroque



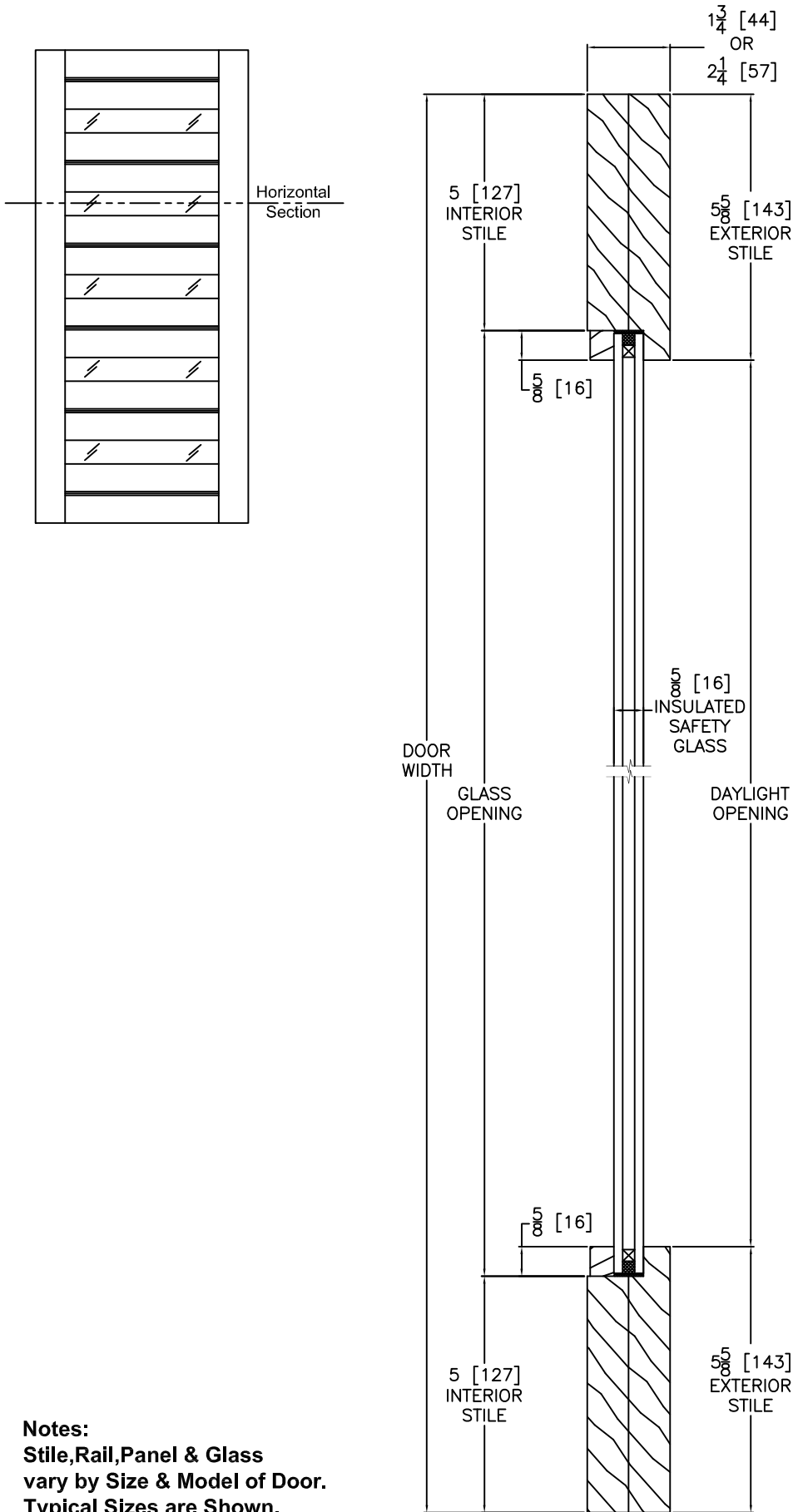
HORIZONTAL DOOR CROSS SECTION

**Notes:**  
Stile, Rail, Panel & Glass  
vary by Size & Model of Door.  
Typical Sizes are Shown.

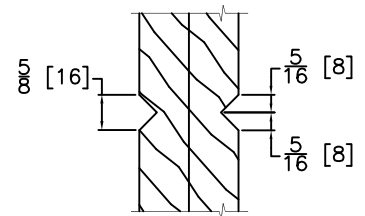


**Notes:**  
Stile,Rail,Panel & Glass  
vary by Size & Model of Door.  
Typical Sizes are Shown.

HORIZONTAL DOOR CROSS SECTION

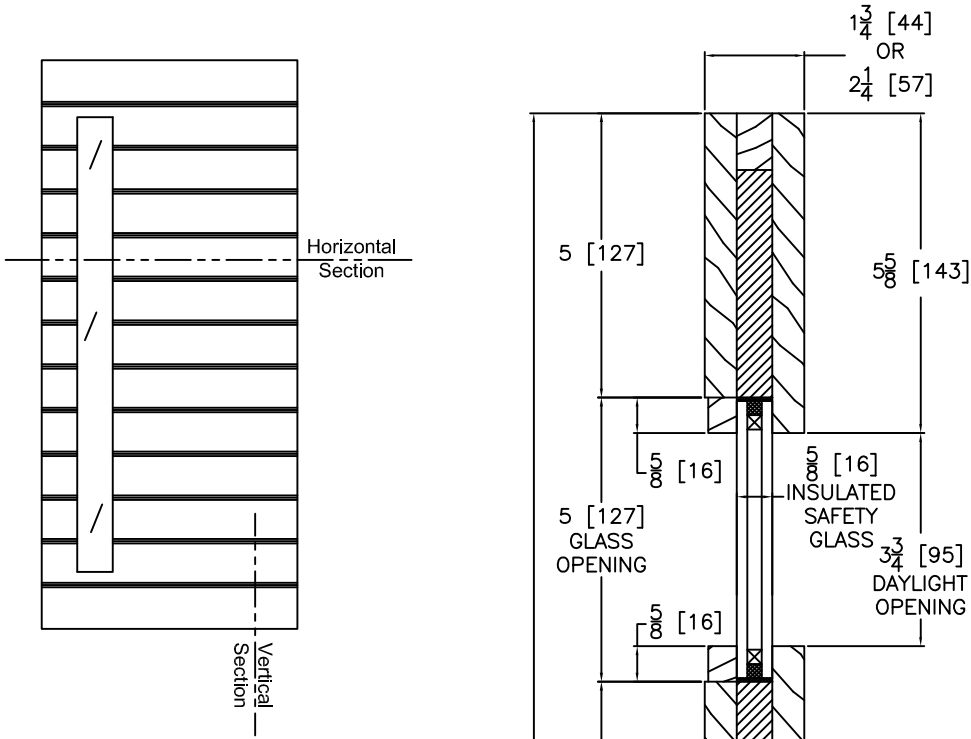


HORIZONTAL DOOR CROSS SECTION



V-GROOVE DETAIL  
(Grooves Optional)

**Notes:**  
Stile,Rail,Panel & Glass  
vary by Size & Model of Door.  
Typical Sizes are Shown.

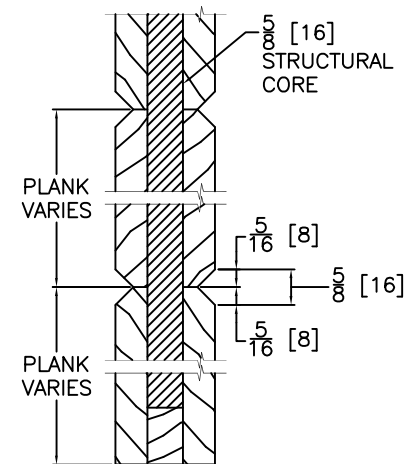


DOOR WIDTH

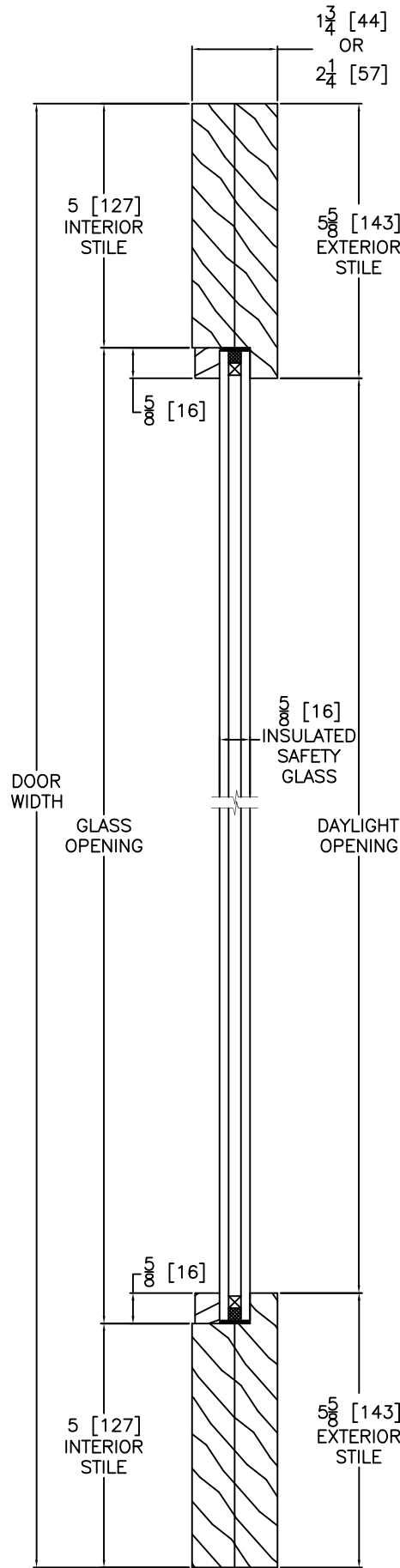
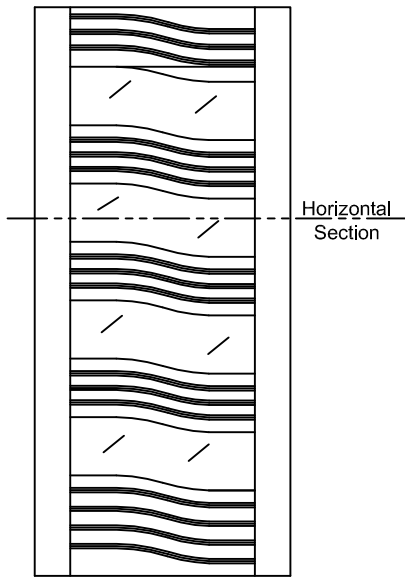
VARIES

**Notes:**  
Stile, Rail, Panel & Glass  
vary by Size & Model of Door.  
Typical Sizes are Shown.

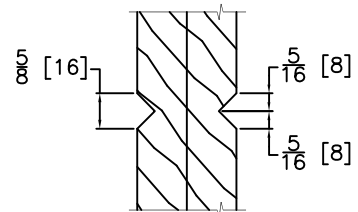
HORIZONTAL DOOR CROSS SECTION



VERTICAL DOOR CROSS SECTION



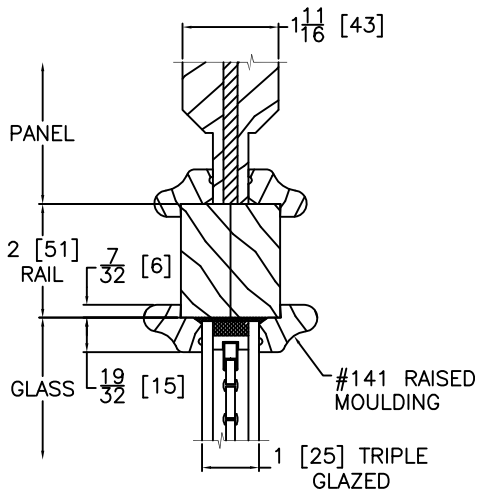
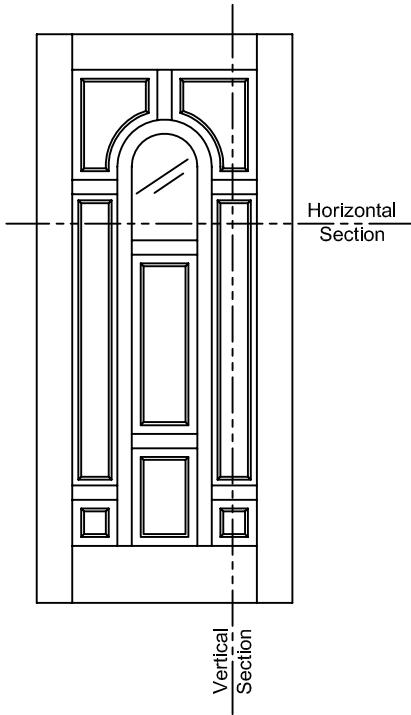
HORIZONTAL DOOR CROSS SECTION



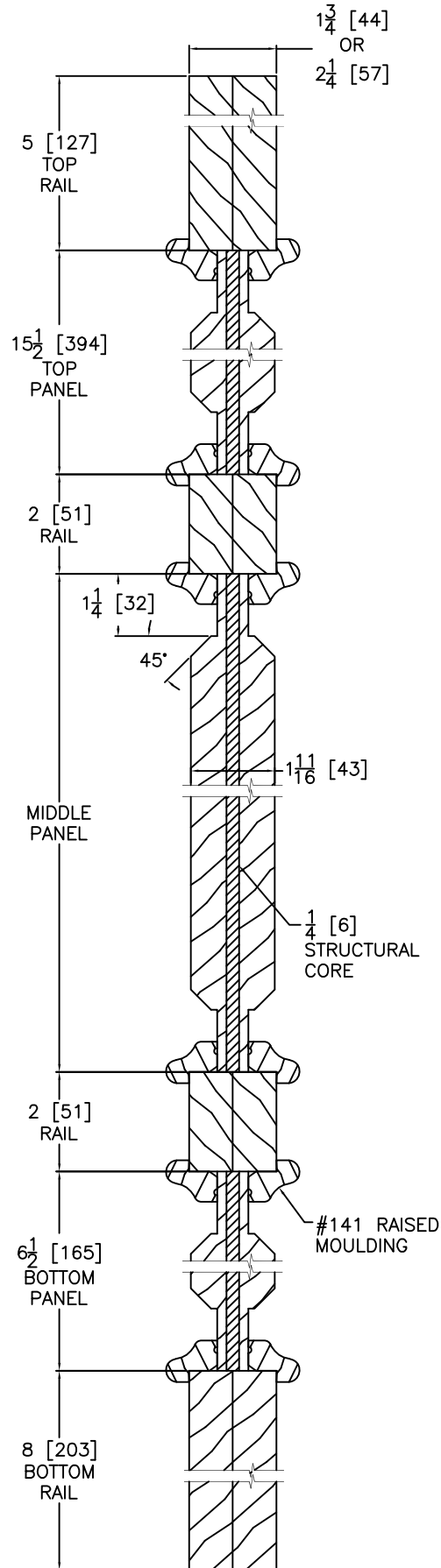
V-GROOVE DETAIL  
(Grooves Optional)

**Notes:**  
Stile, Rail, Panel & Glass  
vary by Size & Model of Door.  
Typical Sizes are Shown.

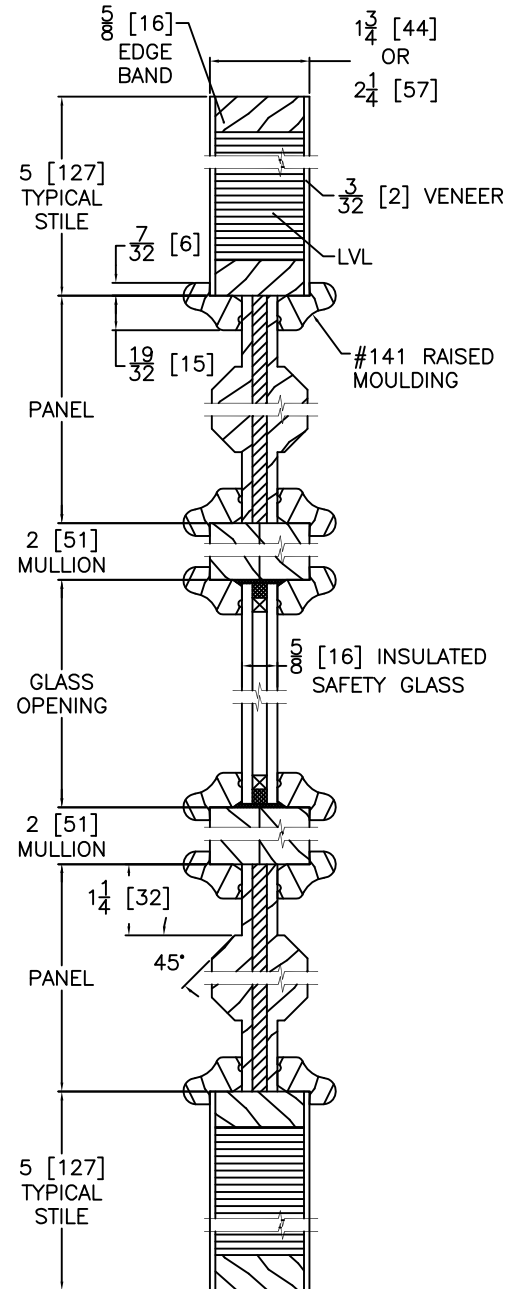




VERTICAL DOOR/SIDELIGHT CROSS SECTION  
Triple Glazed

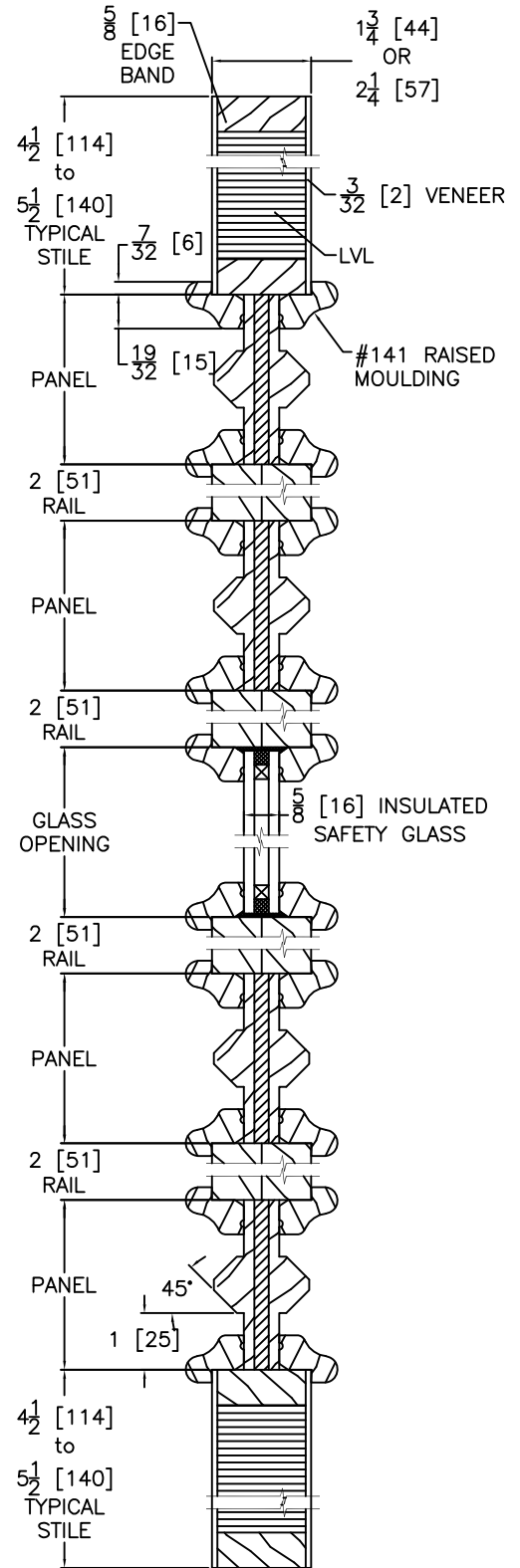
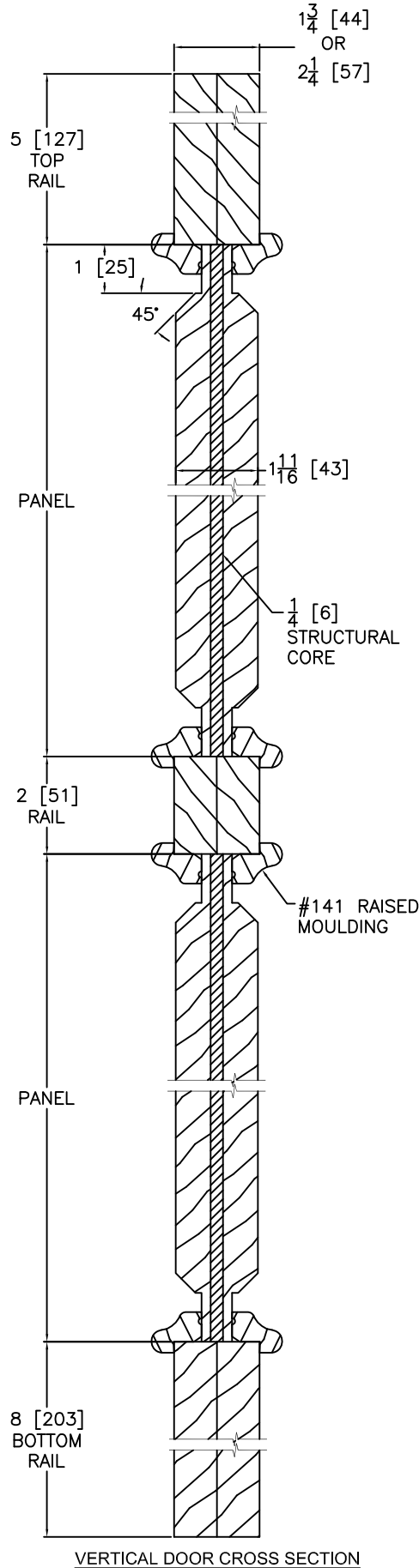
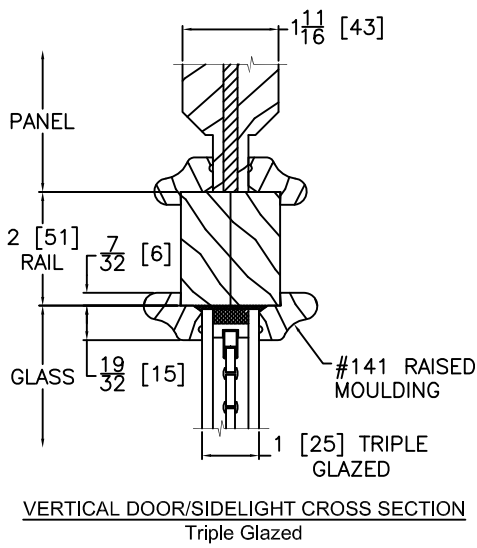
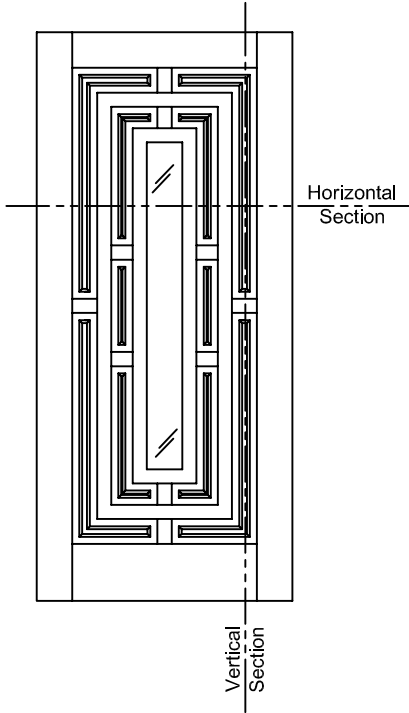


VERTICAL DOOR CROSS SECTION

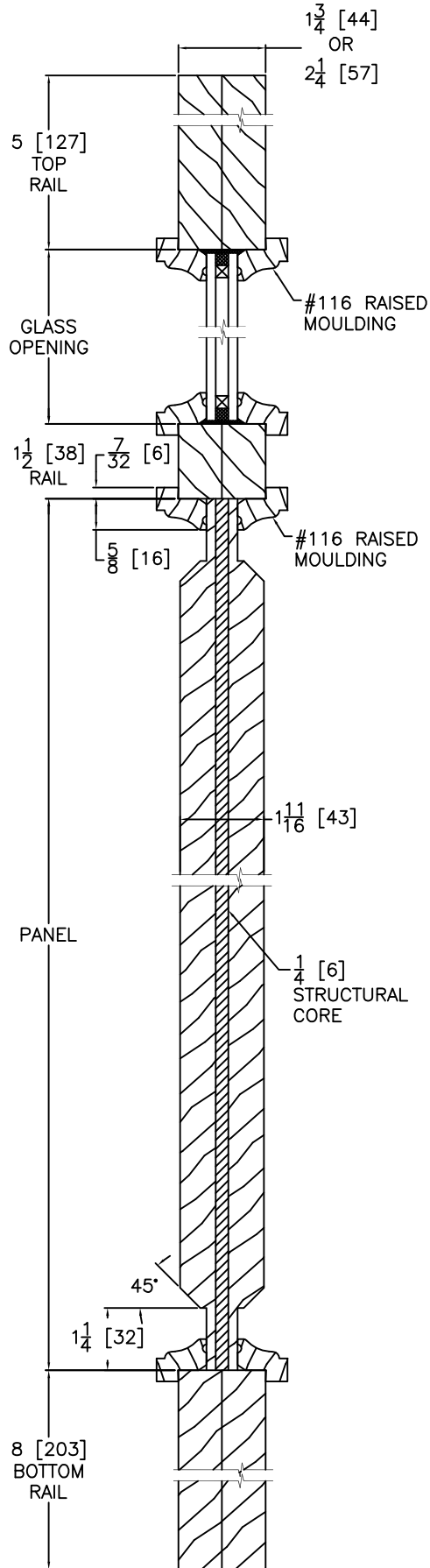
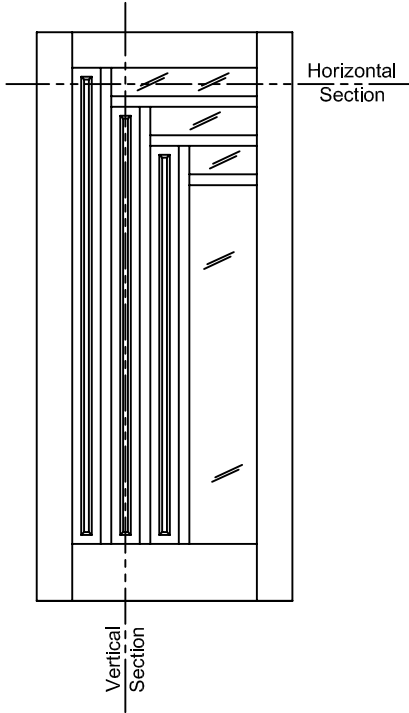


HORIZONTAL DOOR CROSS SECTION  
Insulated Glass  
Engineered Stile Option  
(Upon Request or Doors > 3'-6" X 8'-0")

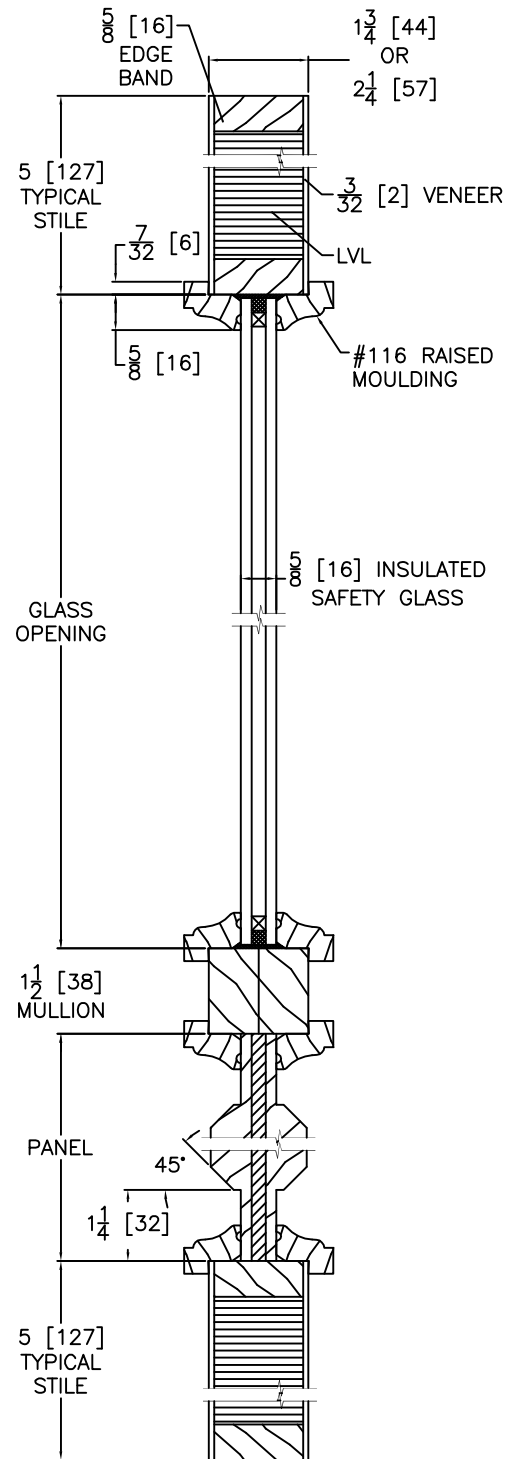
**Notes:**  
Stile, Rail, Panel & Glass  
vary by Size & Model of Door.  
Typical Sizes are Shown.



**Notes:**  
Stile, Rail, Panel & Glass  
vary by Size & Model of Door.  
Typical Sizes are Shown.

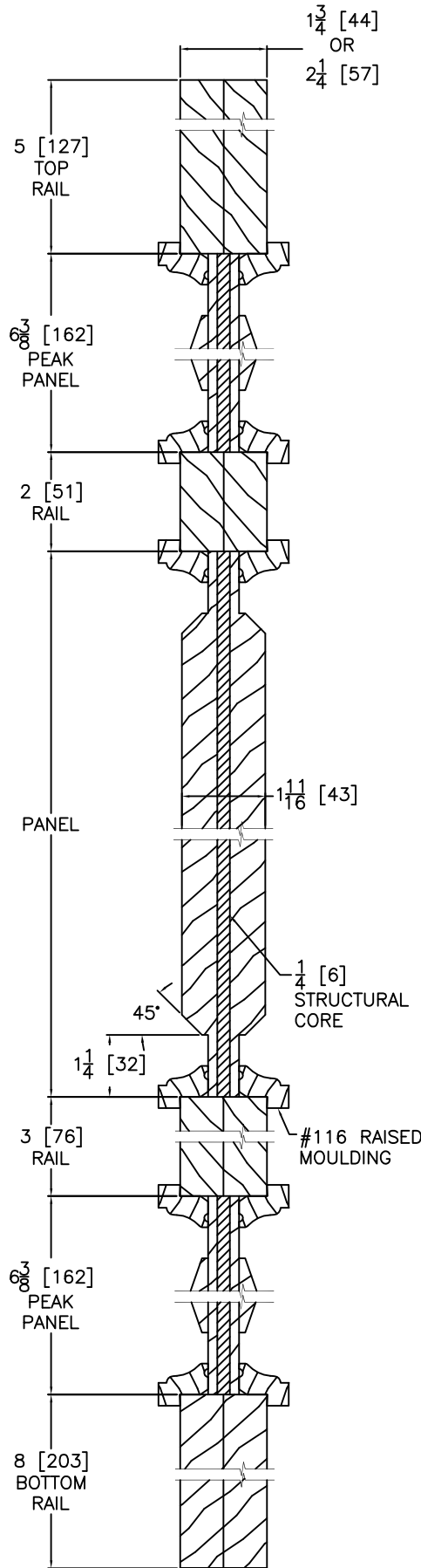
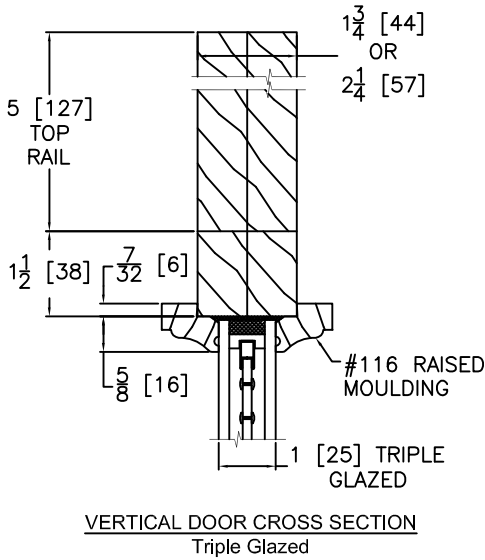
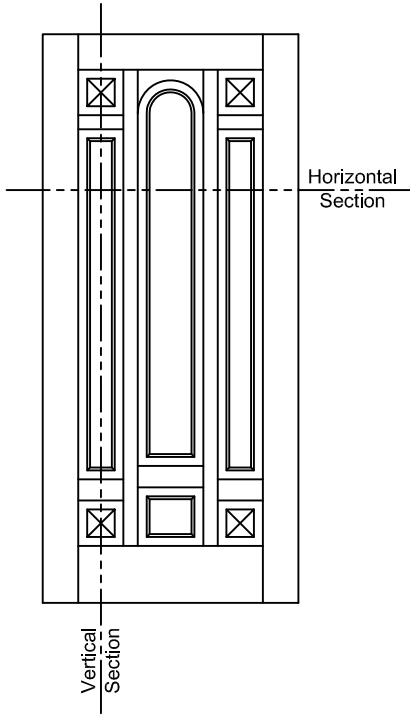


VERTICAL DOOR CROSS SECTION  
Insulated Glass

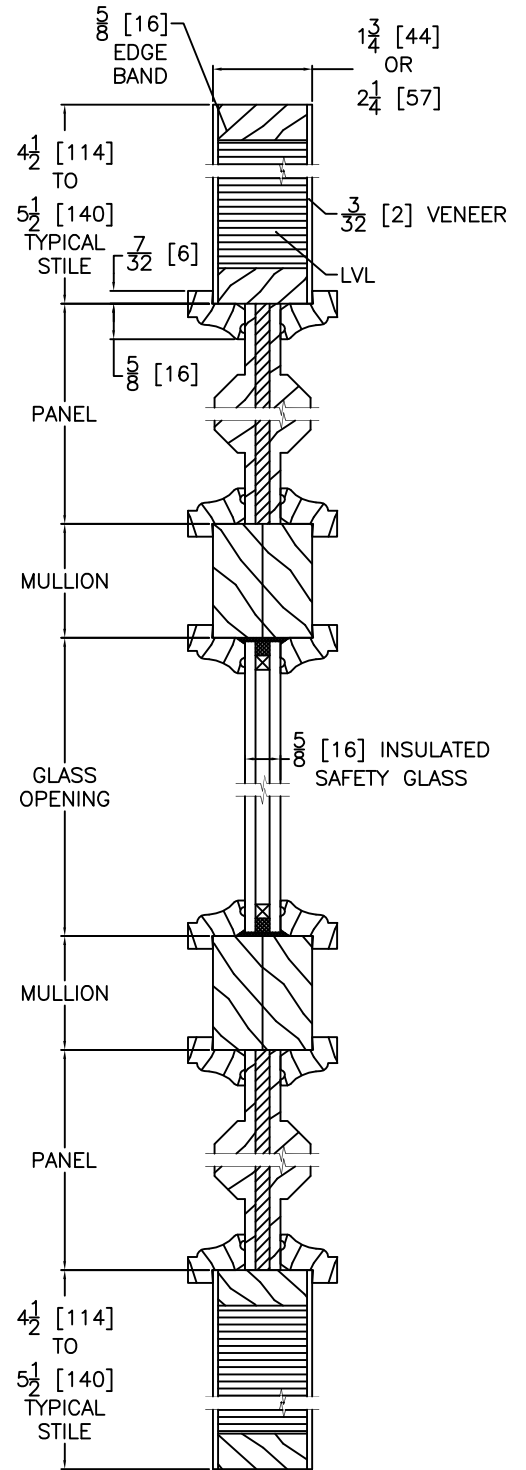


HORIZONTAL DOOR CROSS SECTION  
Insulated Glass  
Engineered Stile Option  
(Upon Request or Doors > 3'-6" X 8'-0")

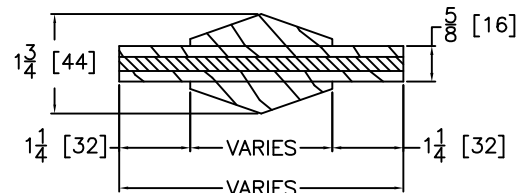
**Notes:**  
Stile, Rail, Panel & Glass  
vary by Size & Model of Door.  
Typical Sizes are Shown.



**VERTICAL DOOR CROSS SECTION**

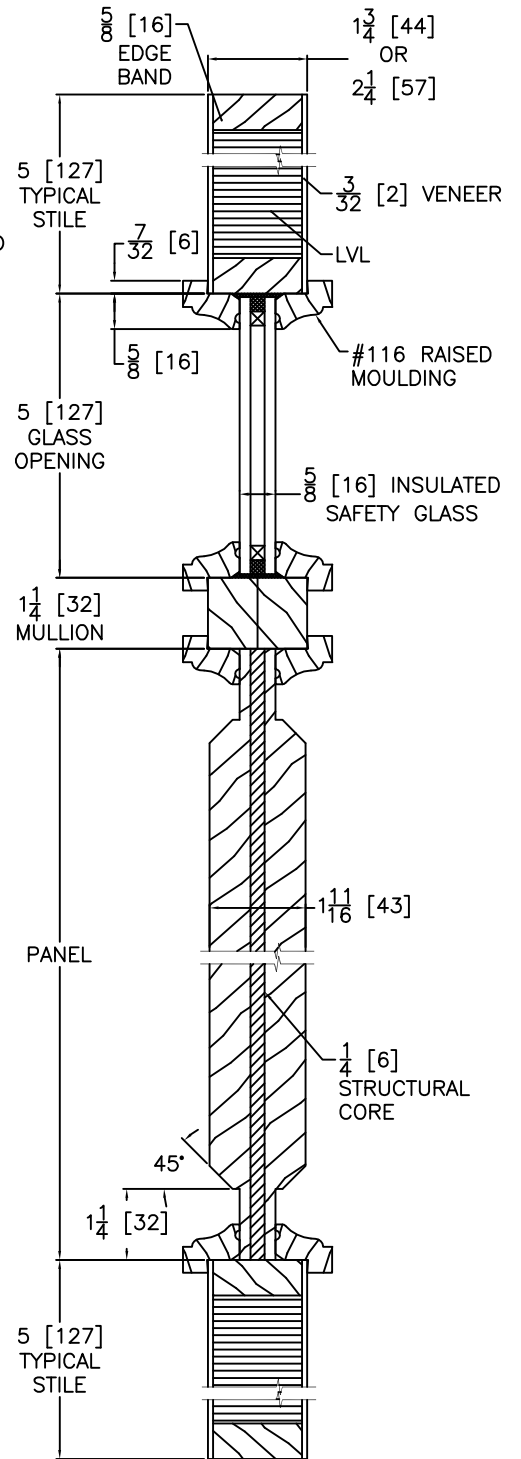
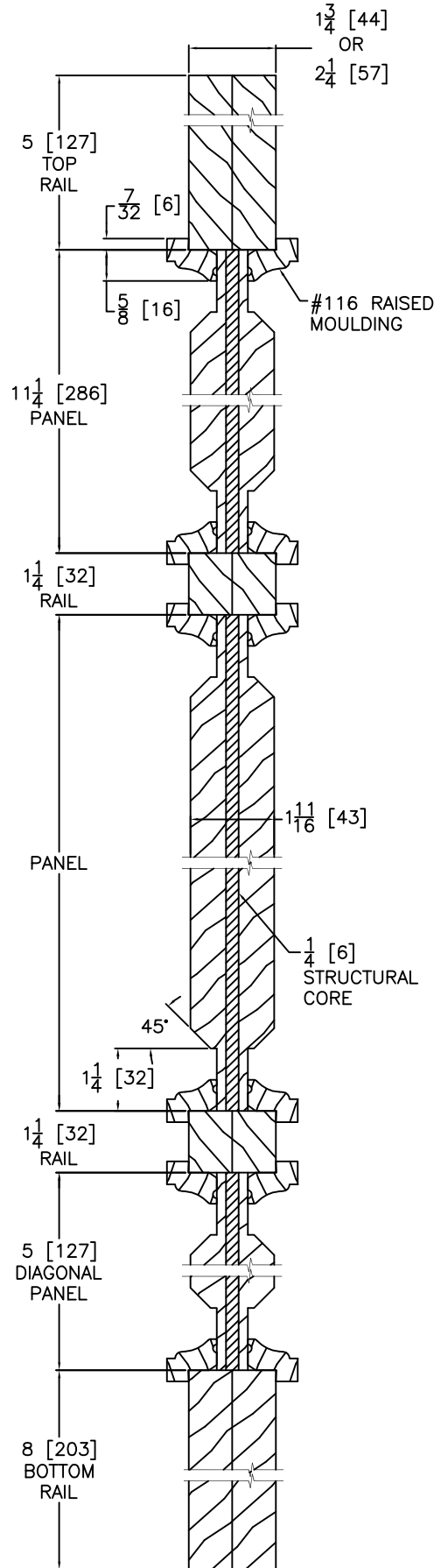
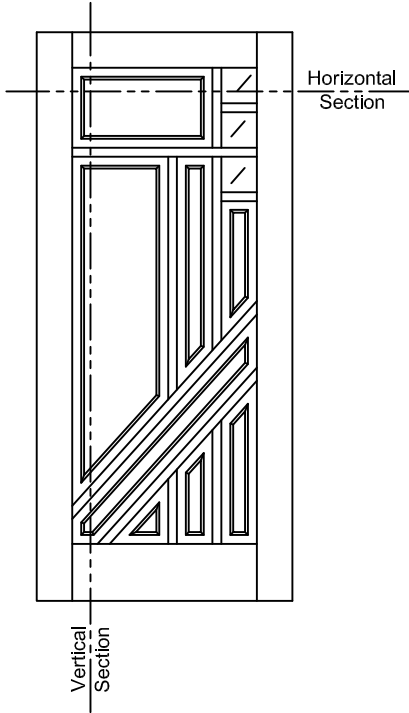


**HORIZONTAL DOOR CROSS SECTION**  
Insulated Glass  
Engineered Stile Option  
(Upon Request or Doors > 3'-6" X 8'-0")



**PEAK PANEL DETAIL**

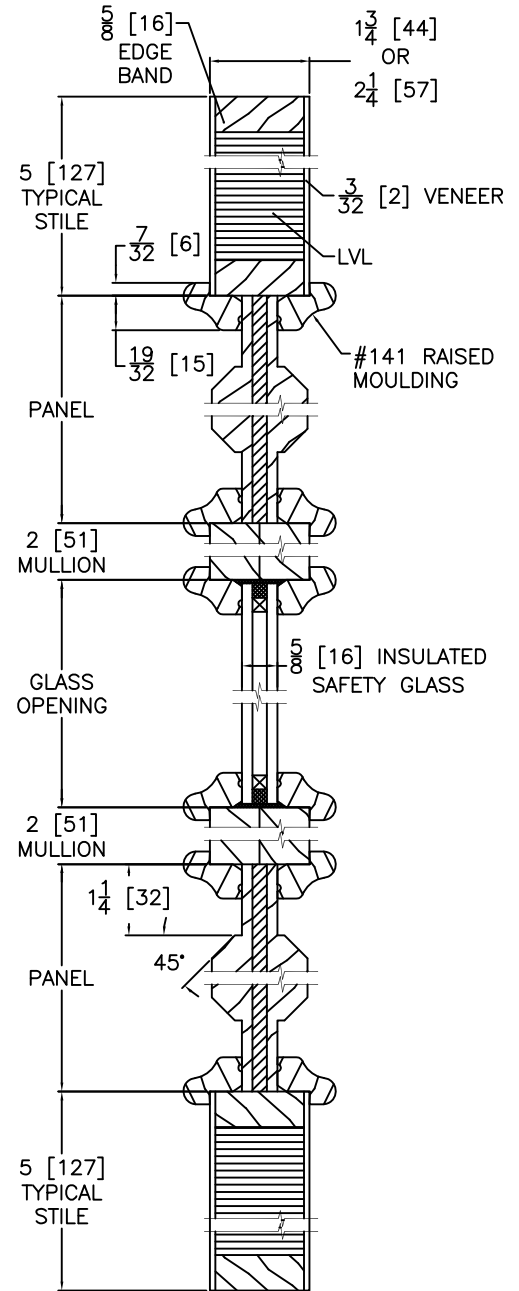
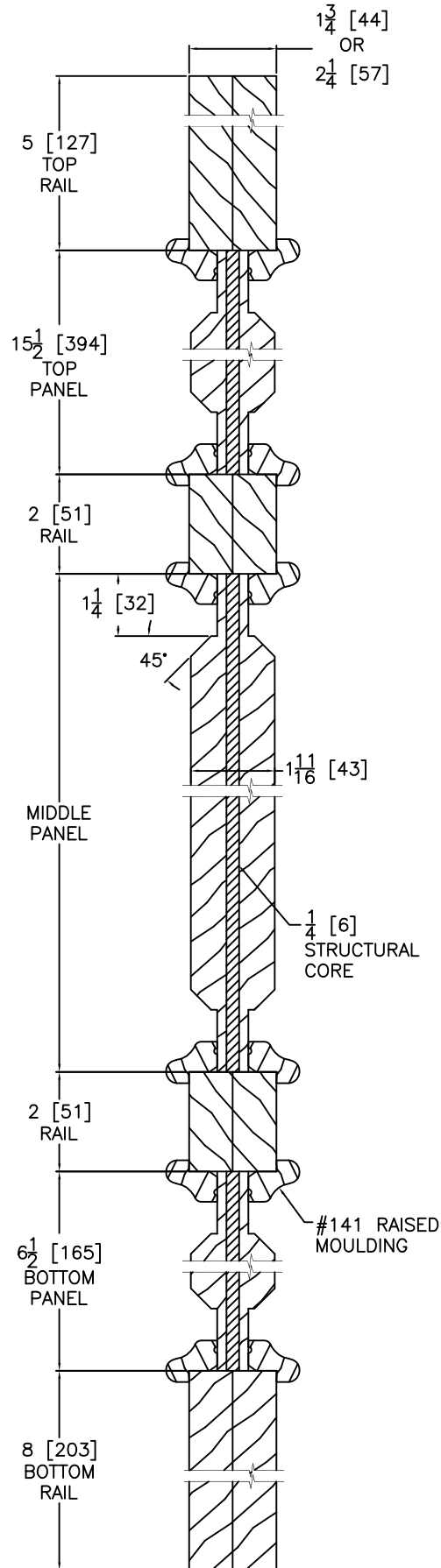
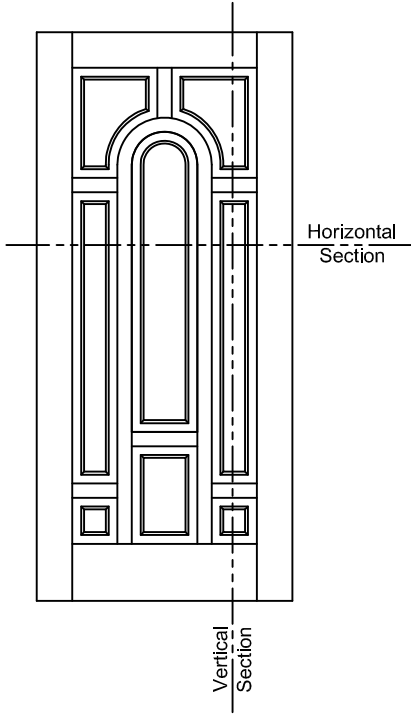
**Notes:**  
Stile, Rail, Panel & Glass  
vary by Size & Model of Door.  
Typical Sizes are Shown.



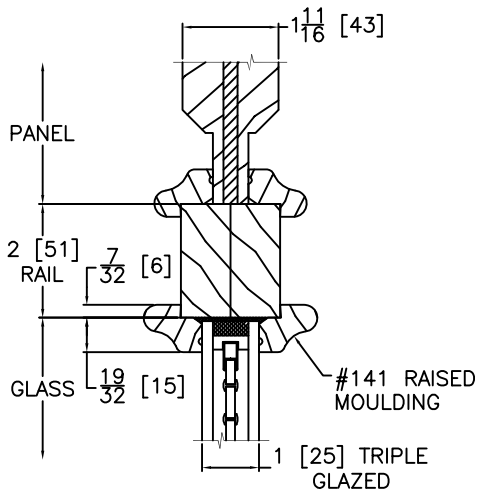
**HORIZONTAL DOOR CROSS SECTION**  
Insulated Glass  
Engineered Stile Option  
(Upon Request or Doors > 3'-6" X 8'-0")

**VERTICAL DOOR CROSS SECTION**

**Notes:**  
Stile, Rail, Panel & Glass  
vary by Size & Model of Door.  
Typical Sizes are Shown.



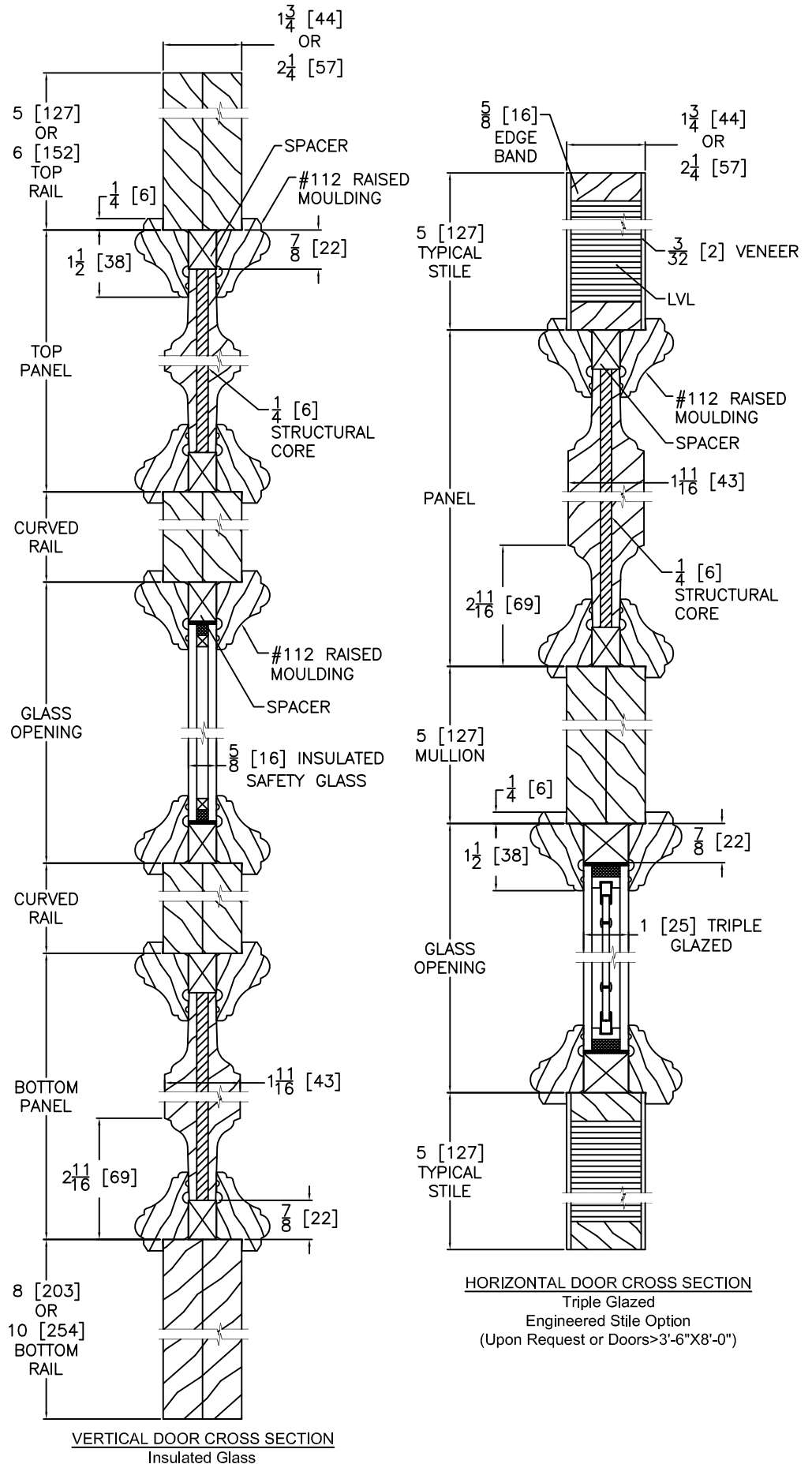
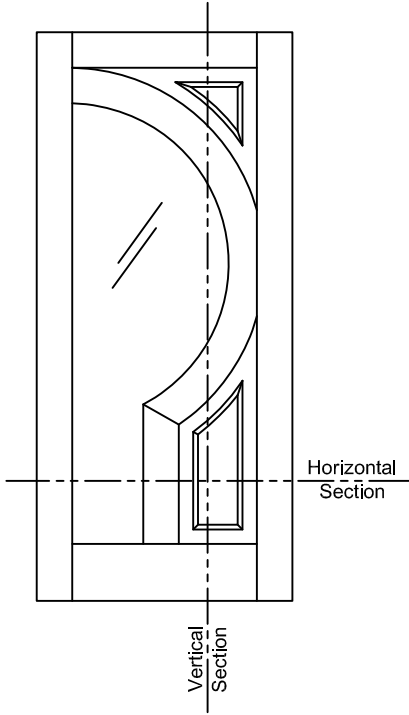
HORIZONTAL DOOR CROSS SECTION  
Insulated Glass  
Engineered Stile Option  
(Upon Request or Doors > 3'-6" X 8'-0")



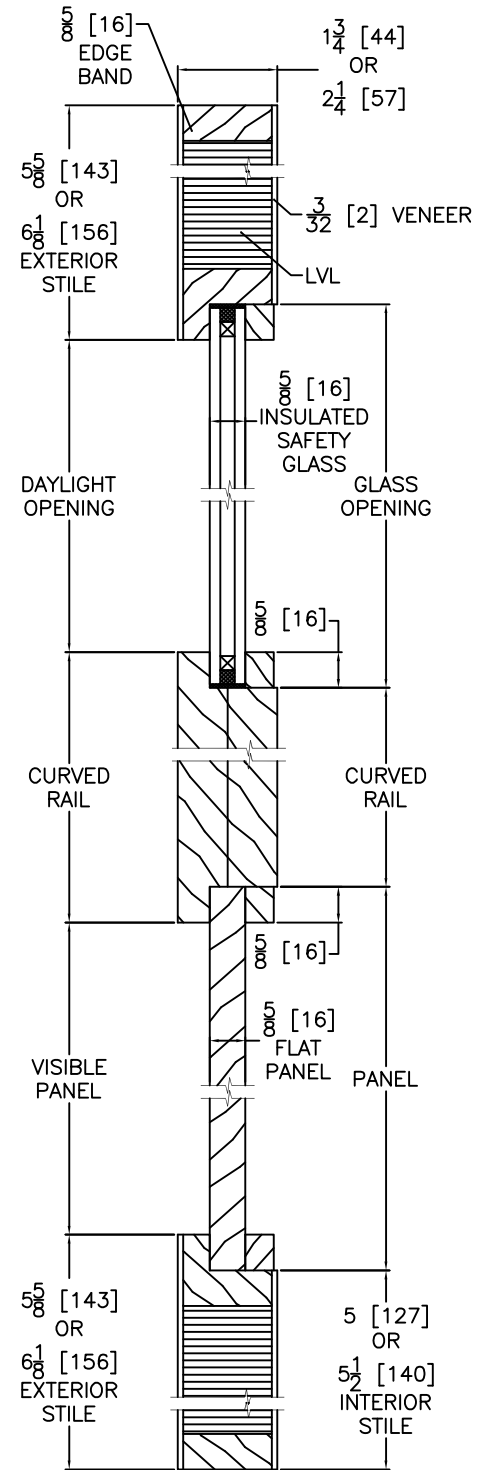
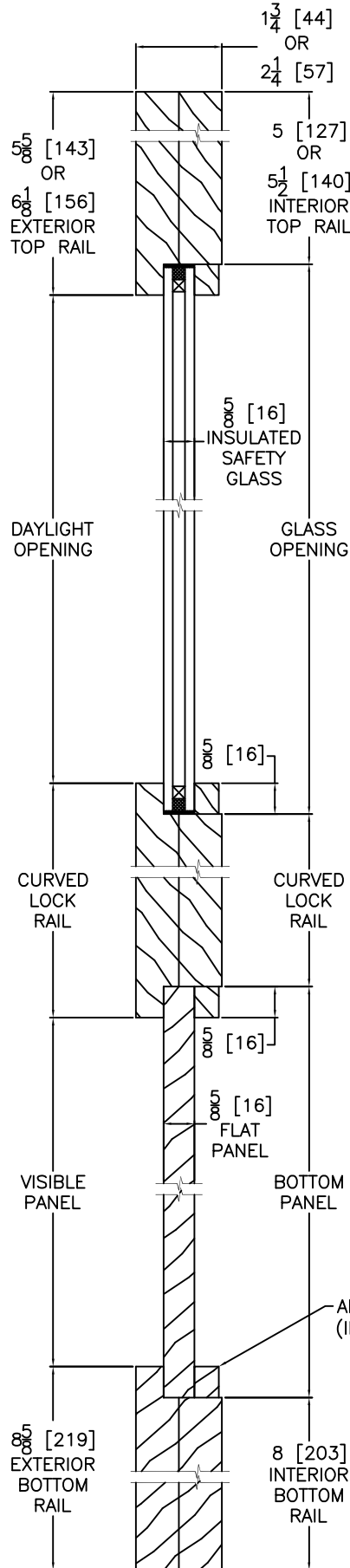
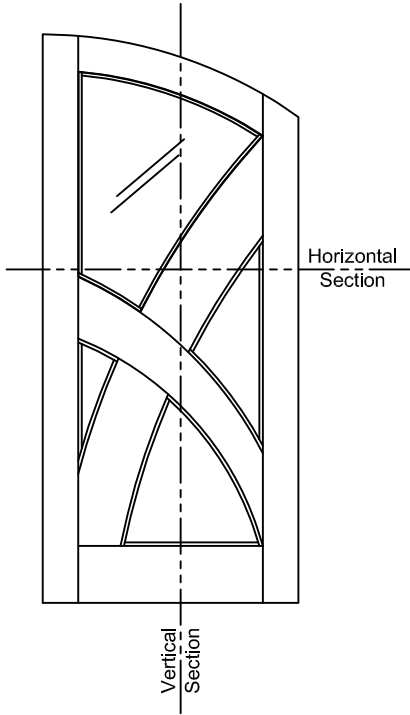
VERTICAL DOOR/SIDELIGHT CROSS SECTION  
Triple Glazed

**Notes:**  
Stile, Rail, Panel & Glass  
vary by Size & Model of Door.  
Typical Sizes are Shown.

VERTICAL DOOR CROSS SECTION



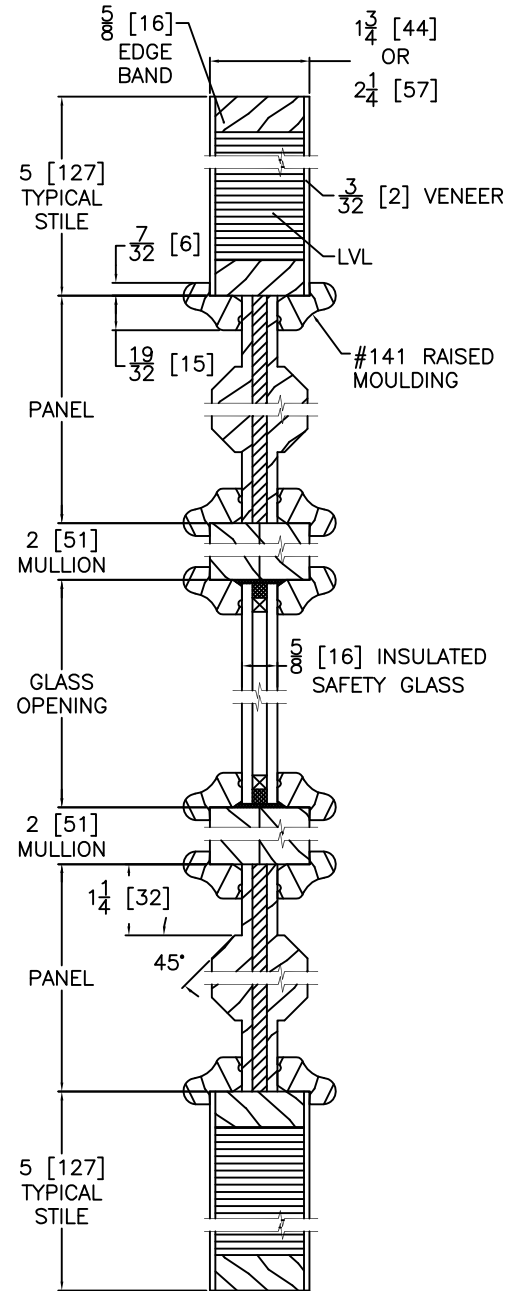
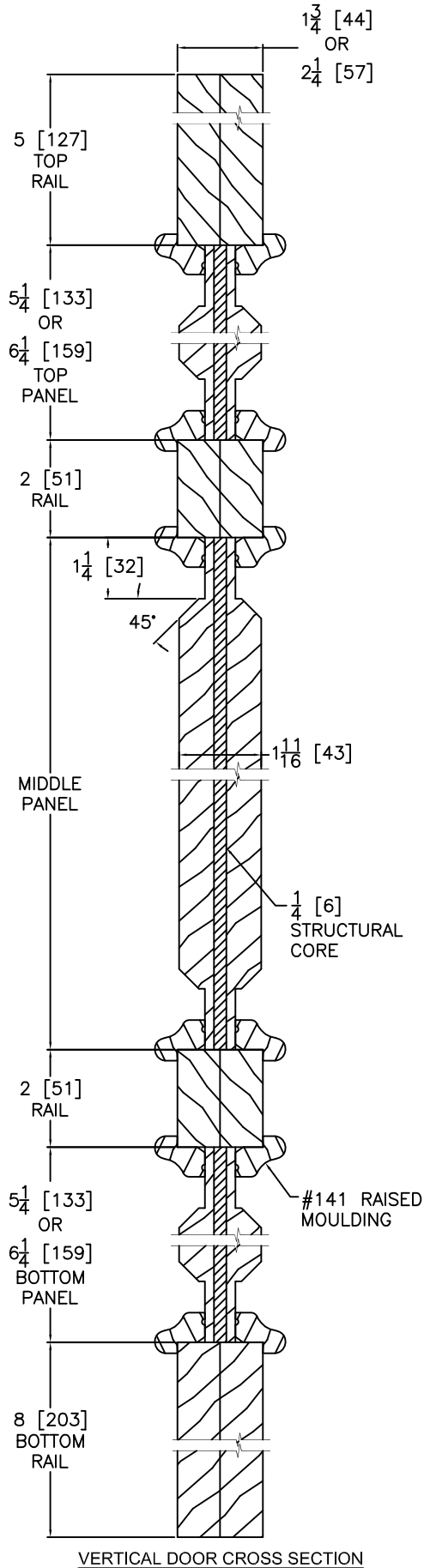
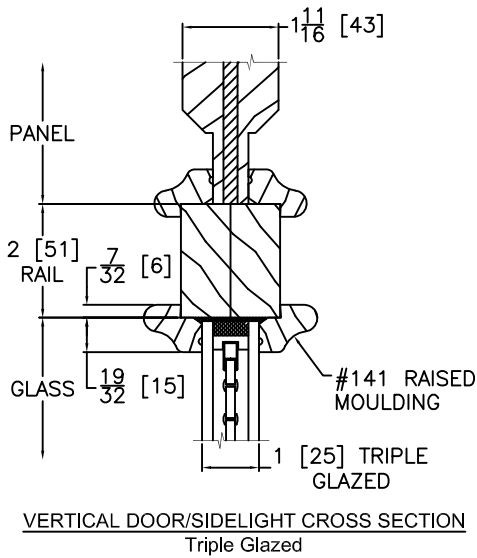
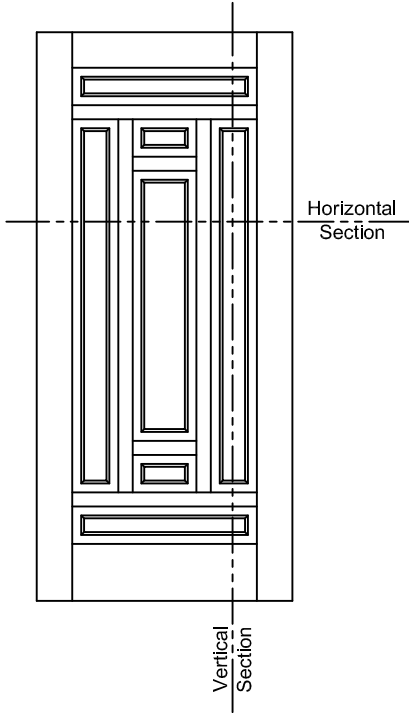
**Notes:**  
Stile, Rail, Panel & Glass  
vary by Size & Model of Door.  
Typical Sizes are Shown.



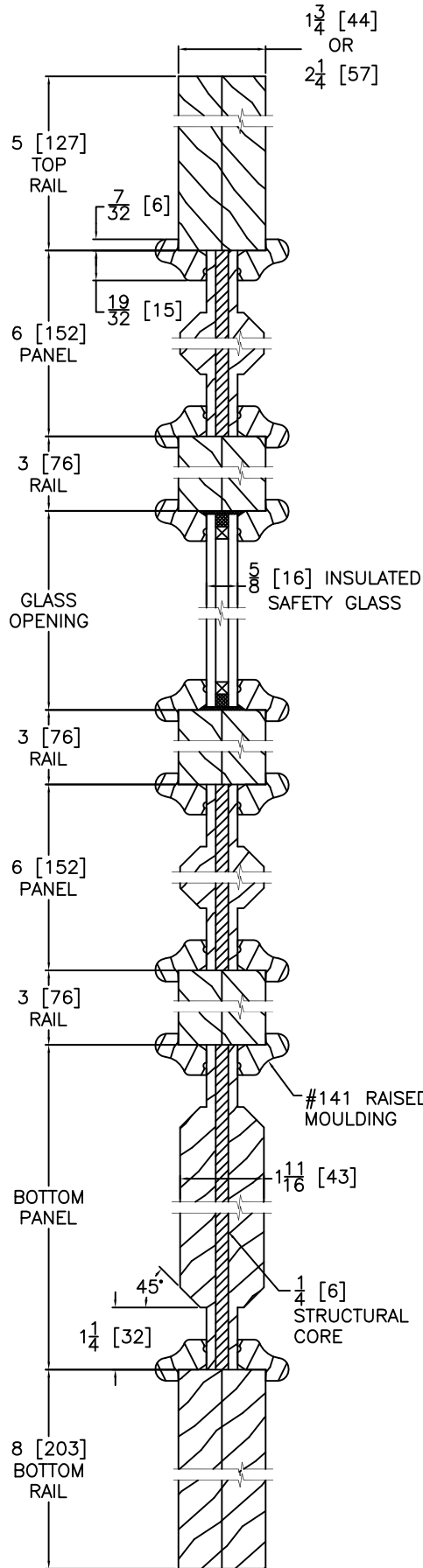
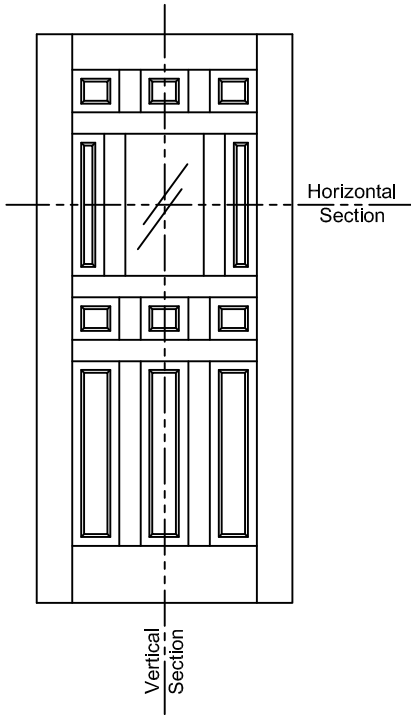
HORIZONTAL DOOR CROSS SECTION  
Insulated Glass  
Engineered Stile Option  
(Upon Request or Doors > 3'-6" X 8'-0")

**Notes:**  
Stile, Rail, Panel & Glass  
vary by Size & Model of Door.  
Typical Sizes are Shown.

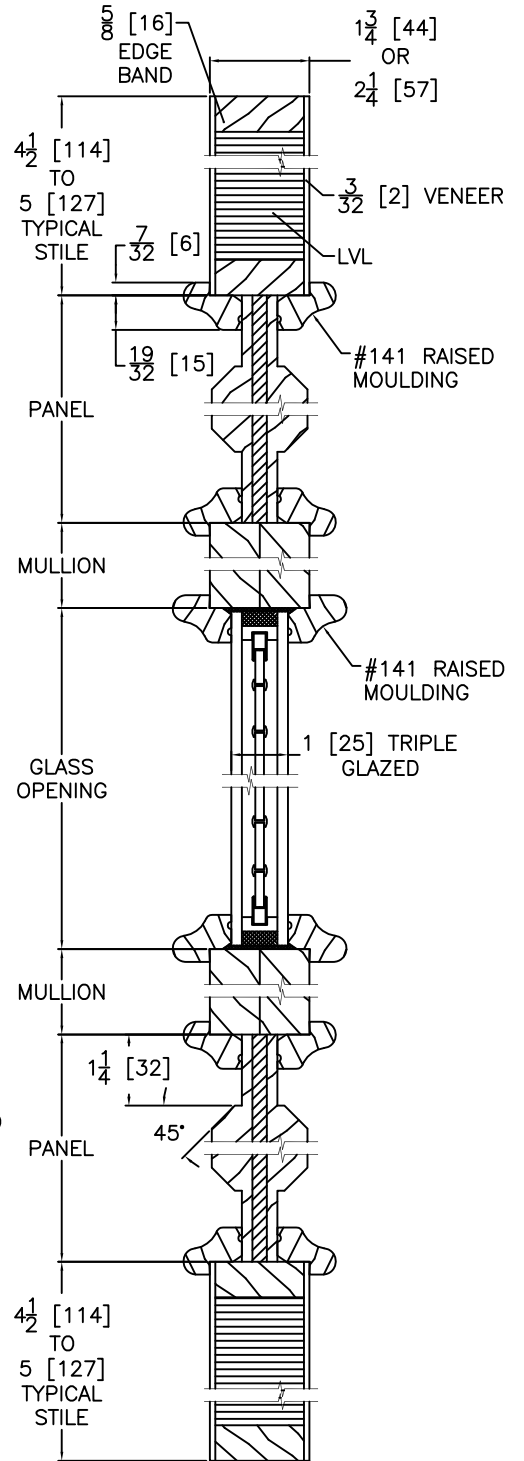




**Notes:**  
Stile, Rail, Panel & Glass  
vary by Size & Model of Door.  
Typical Sizes are Shown.

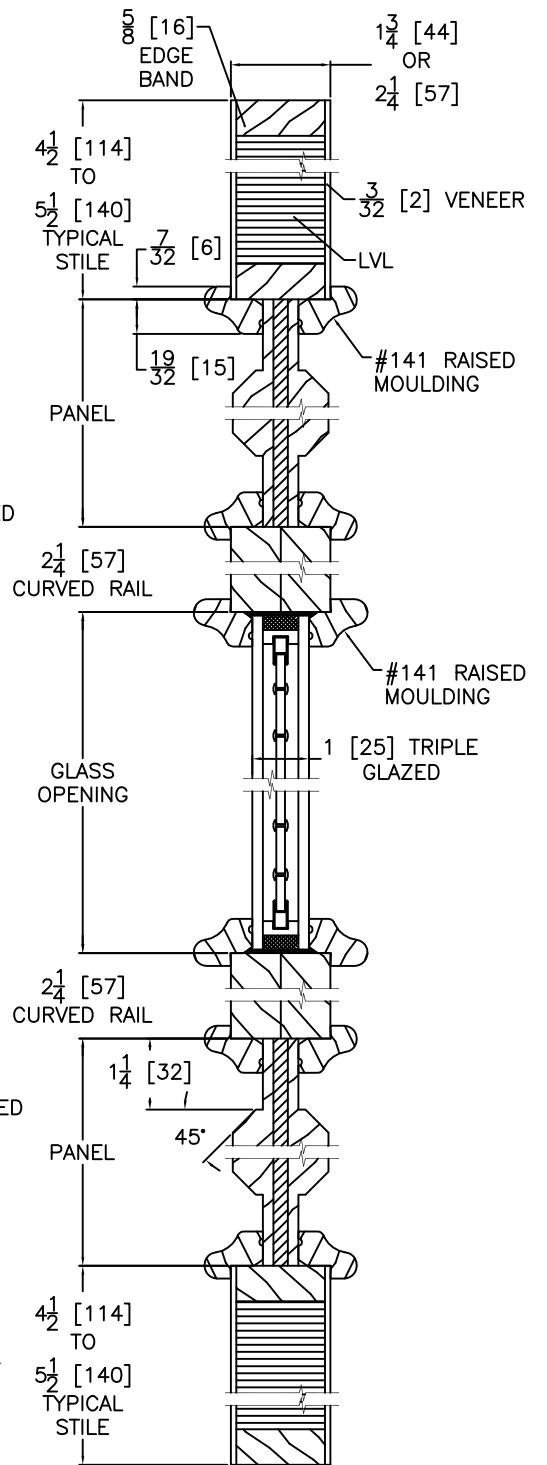
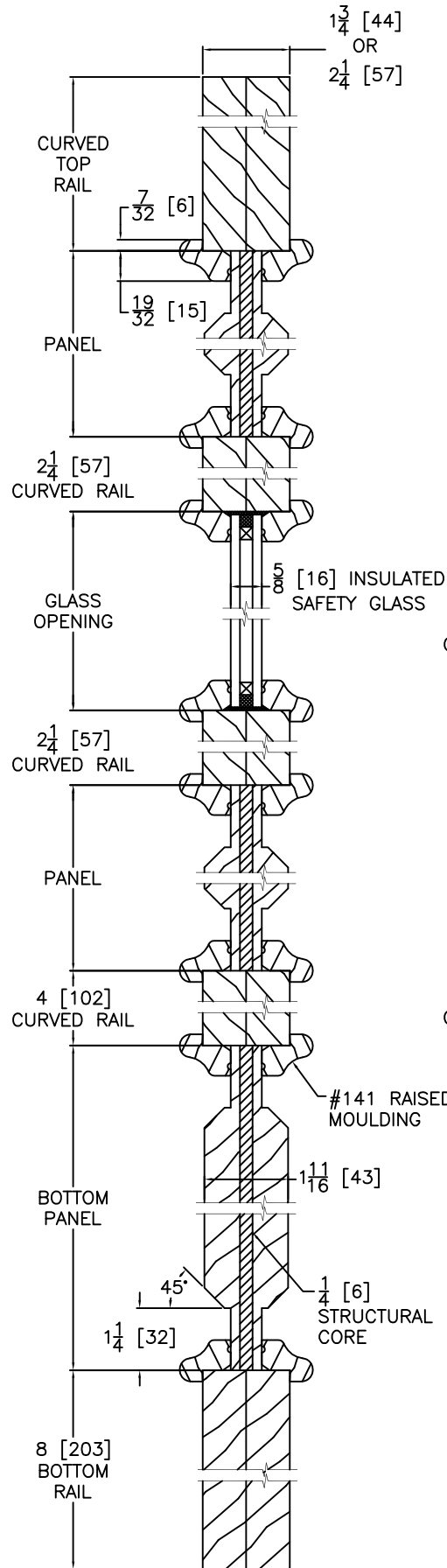
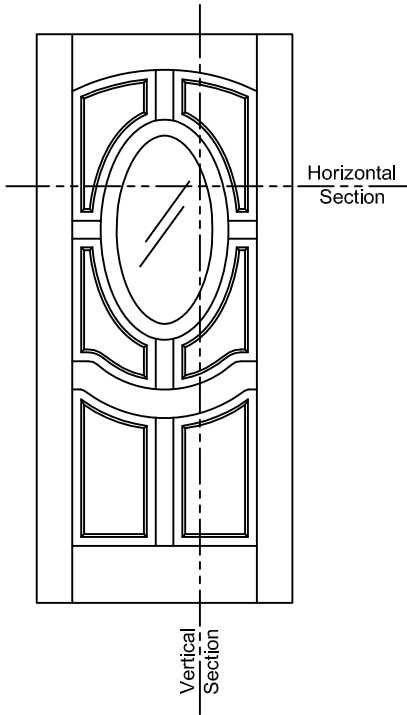


VERTICAL DOOR CROSS SECTION  
Insulated Glass

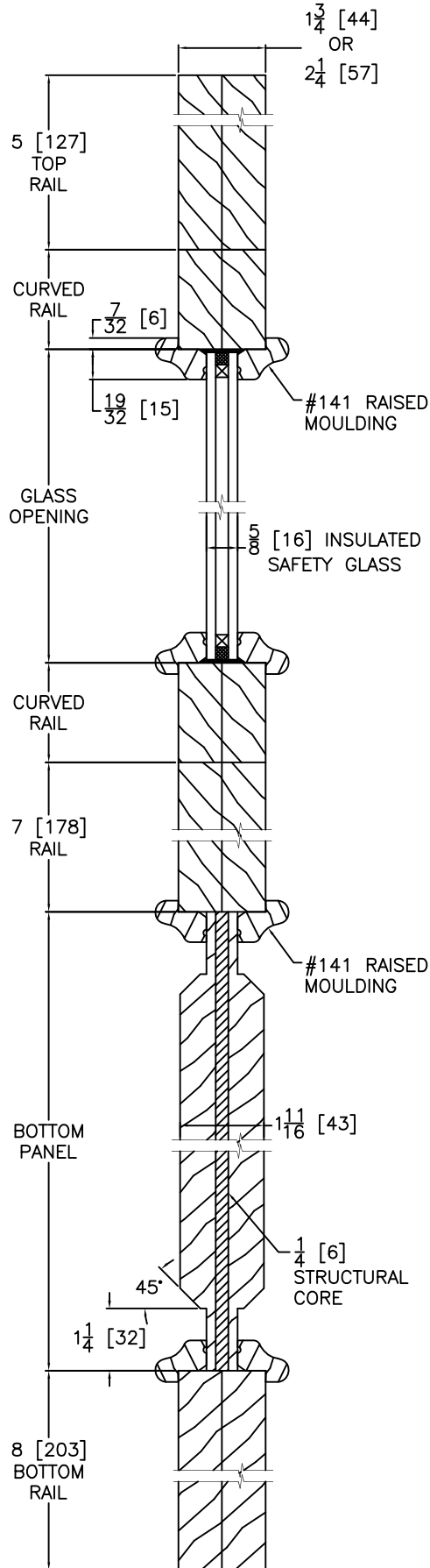
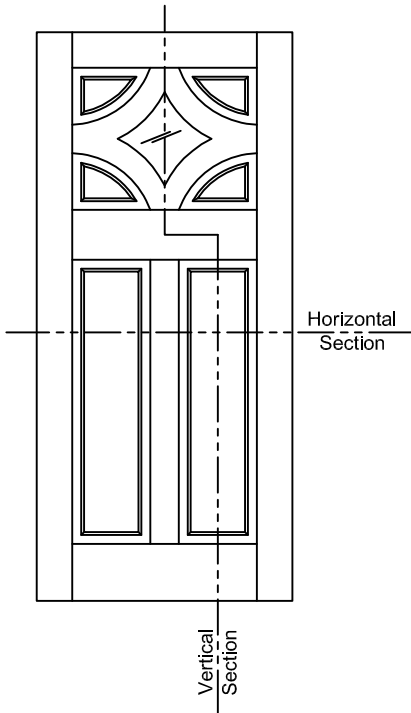


HORIZONTAL DOOR CROSS SECTION  
Triple Glazed  
Engineered Stile Option  
(Upon Request or Doors > 3'-6" X 8'-0")

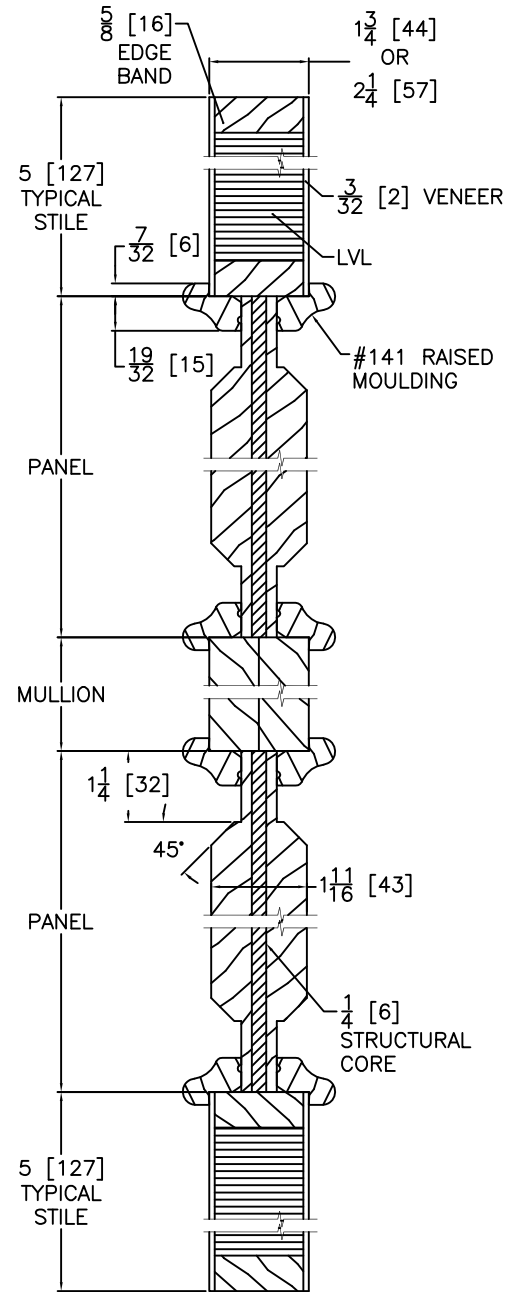
**Notes:**  
Stile, Rail, Panel & Glass  
vary by Size & Model of Door.  
Typical Sizes are Shown.



**Notes:**  
Stile, Rail, Panel & Glass  
vary by Size & Model of Door.  
Typical Sizes are Shown.

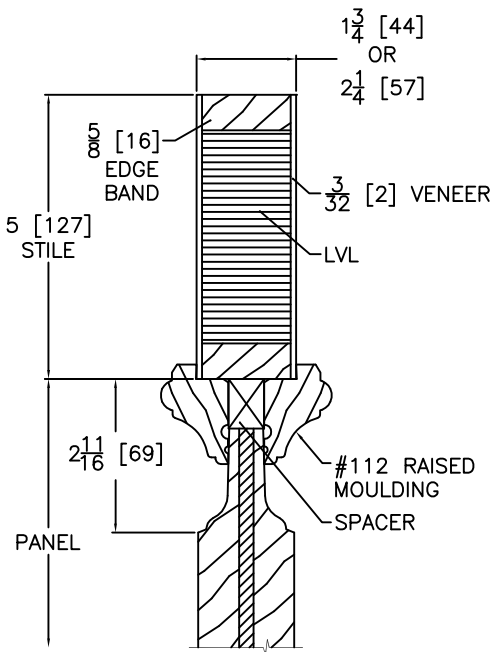
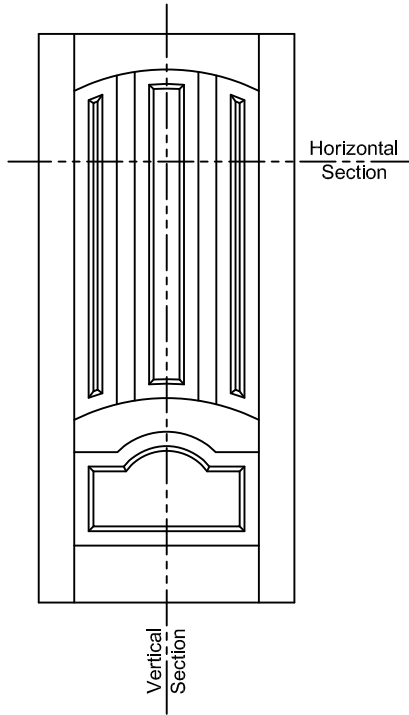


VERTICAL DOOR CROSS SECTION  
Insulated Glass

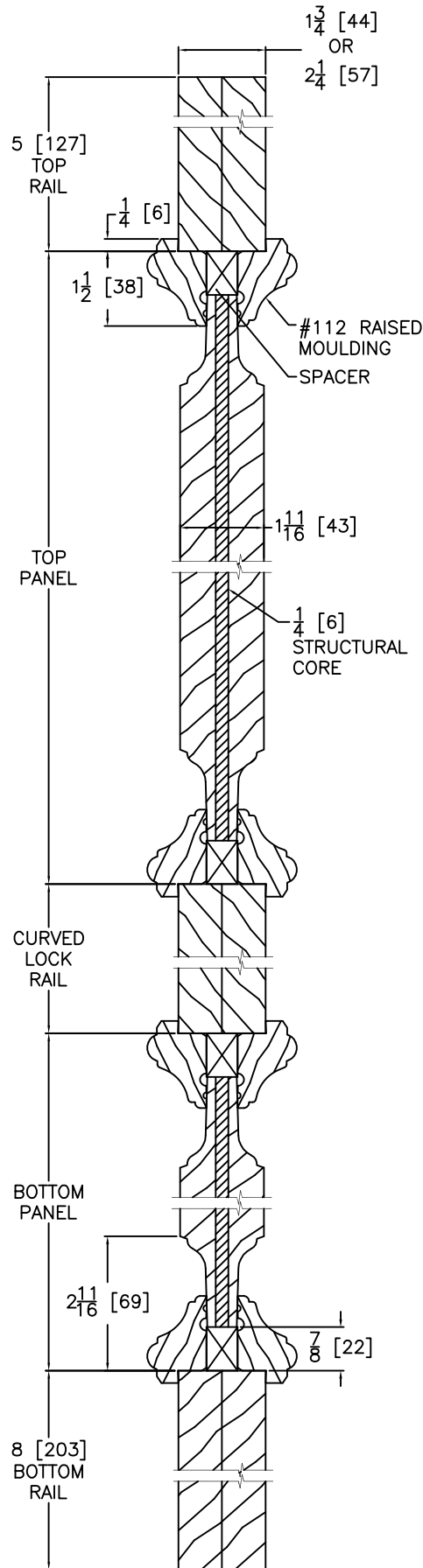


HORIZONTAL DOOR CROSS SECTION  
Engineered Stile Option  
(Upon Request or Doors > 3'-6" X 8'-0")

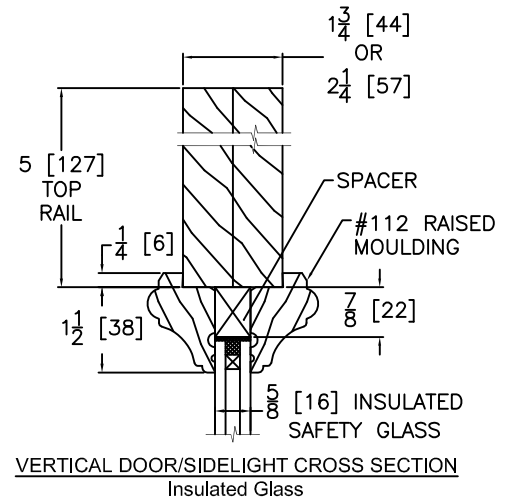
**Notes:**  
Stile, Rail, Panel & Glass  
vary by Size & Model of Door.  
Typical Sizes are Shown.



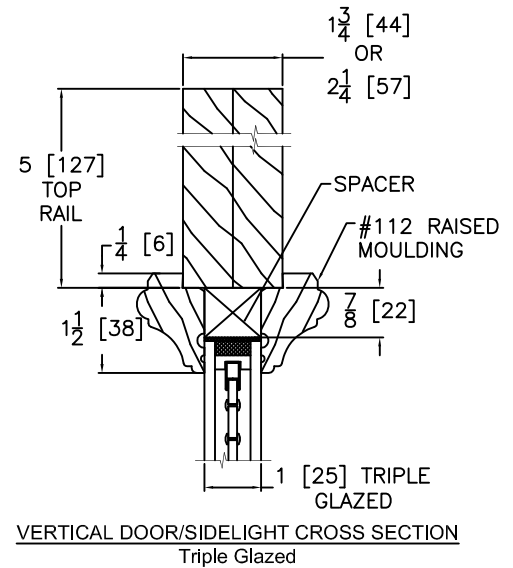
**HORIZONTAL DOOR CROSS SECTION**  
Engineered Stile Option  
(Upon Request or Doors > 3'-6" X 8'-0")



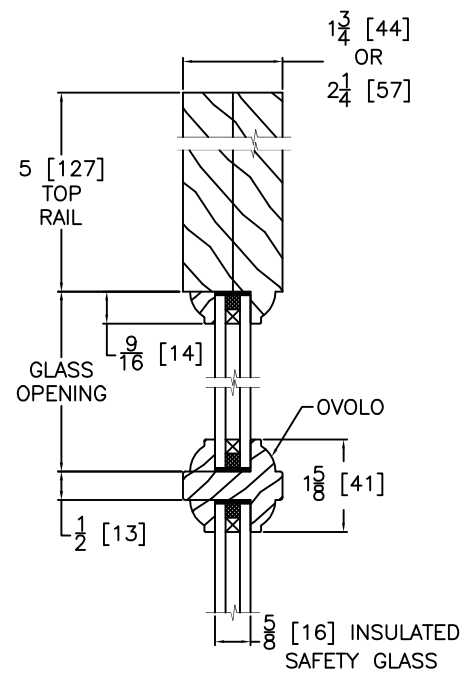
**VERTICAL DOOR CROSS SECTION**



**VERTICAL DOOR/SIDELIGHT CROSS SECTION**  
Insulated Glass

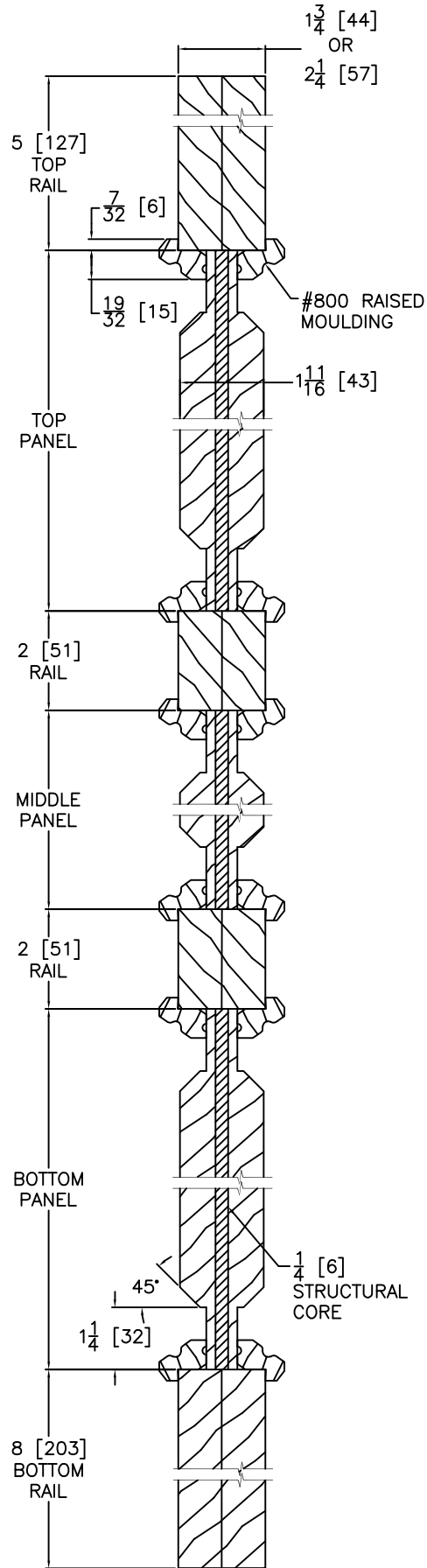
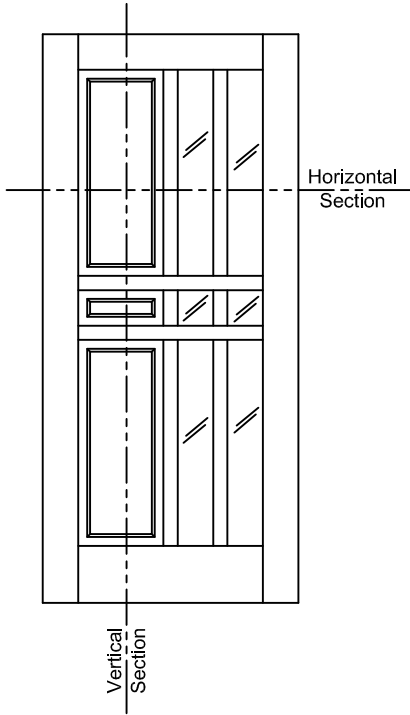


**VERTICAL DOOR/SIDELIGHT CROSS SECTION**  
Triple Glazed

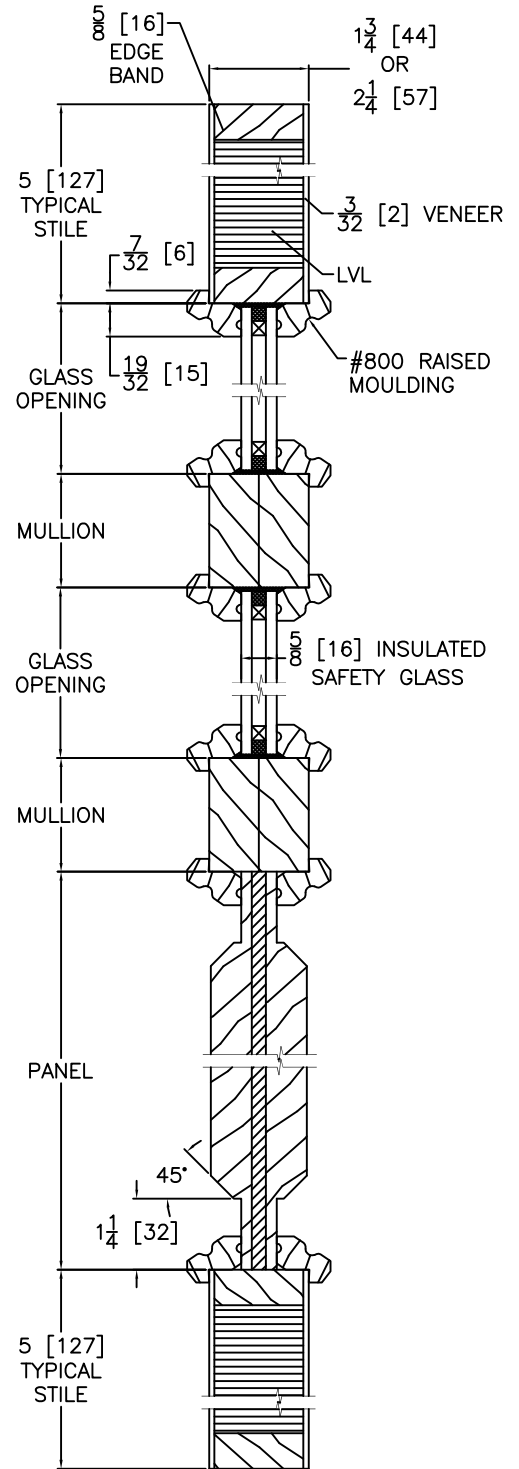


**VERTICAL TDL SIDELIGHT CROSS SECTION**  
Insulated Glass

**Notes:**  
Stile, Rail, Panel & Glass  
vary by Size & Model of Door.  
Typical Sizes are Shown.



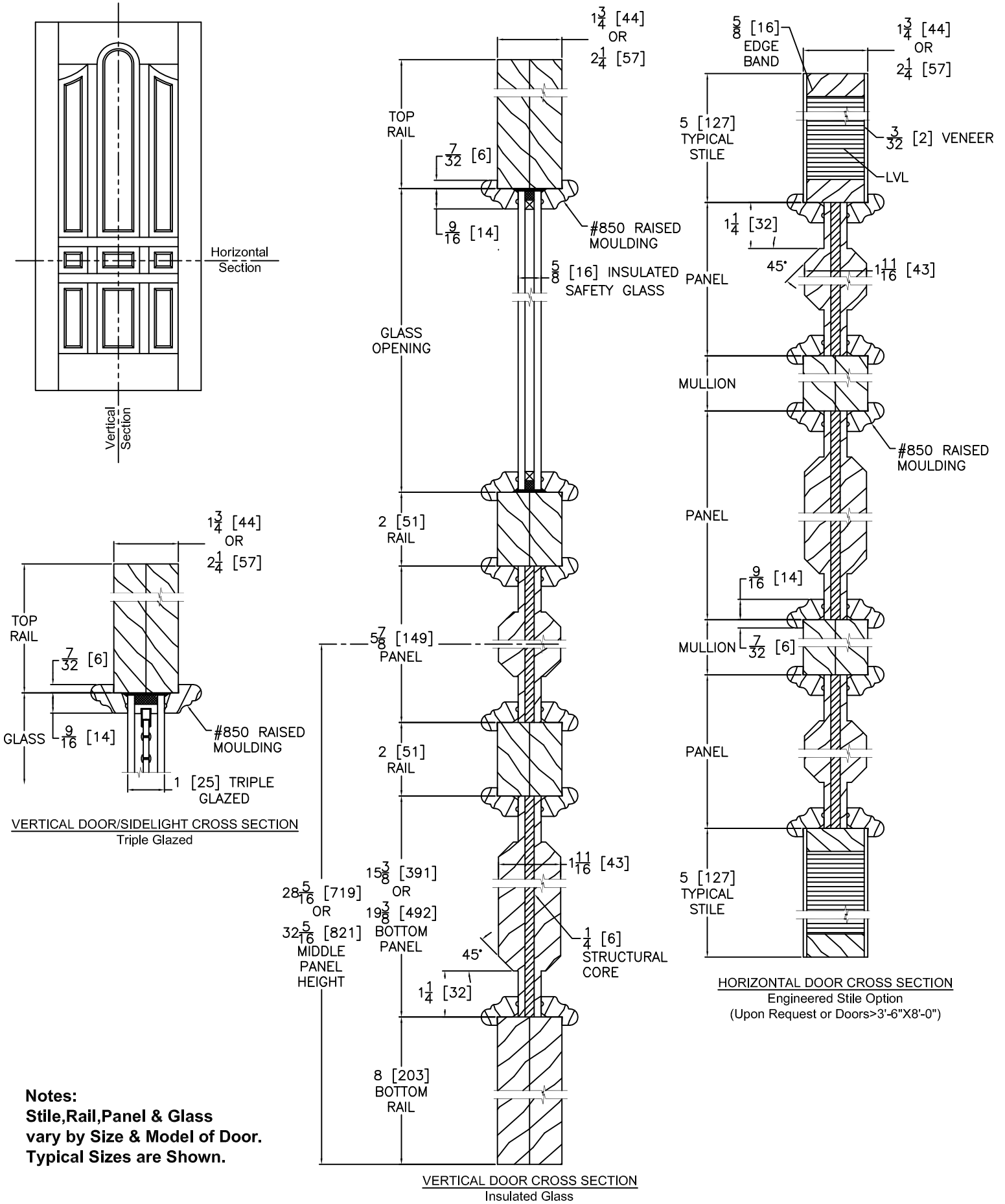
VERTICAL DOOR CROSS SECTION



HORIZONTAL DOOR CROSS SECTION

Insulated Glass  
Engineered Stile Option  
(Upon Request or Doors > 3'-6" X 8'-0")

**Notes:**  
Stile, Rail, Panel & Glass  
vary by Size & Model of Door.  
Typical Sizes are Shown.



**Notes:**  
Stile, Rail, Panel & Glass  
vary by Size & Model of Door.  
Typical Sizes are Shown.