

**TABLE OF CONTENTS**

**4 PANEL DOORS**

Elevations: 1/8" Scale

44	465
110	704
112	760
116	1204
340	4030

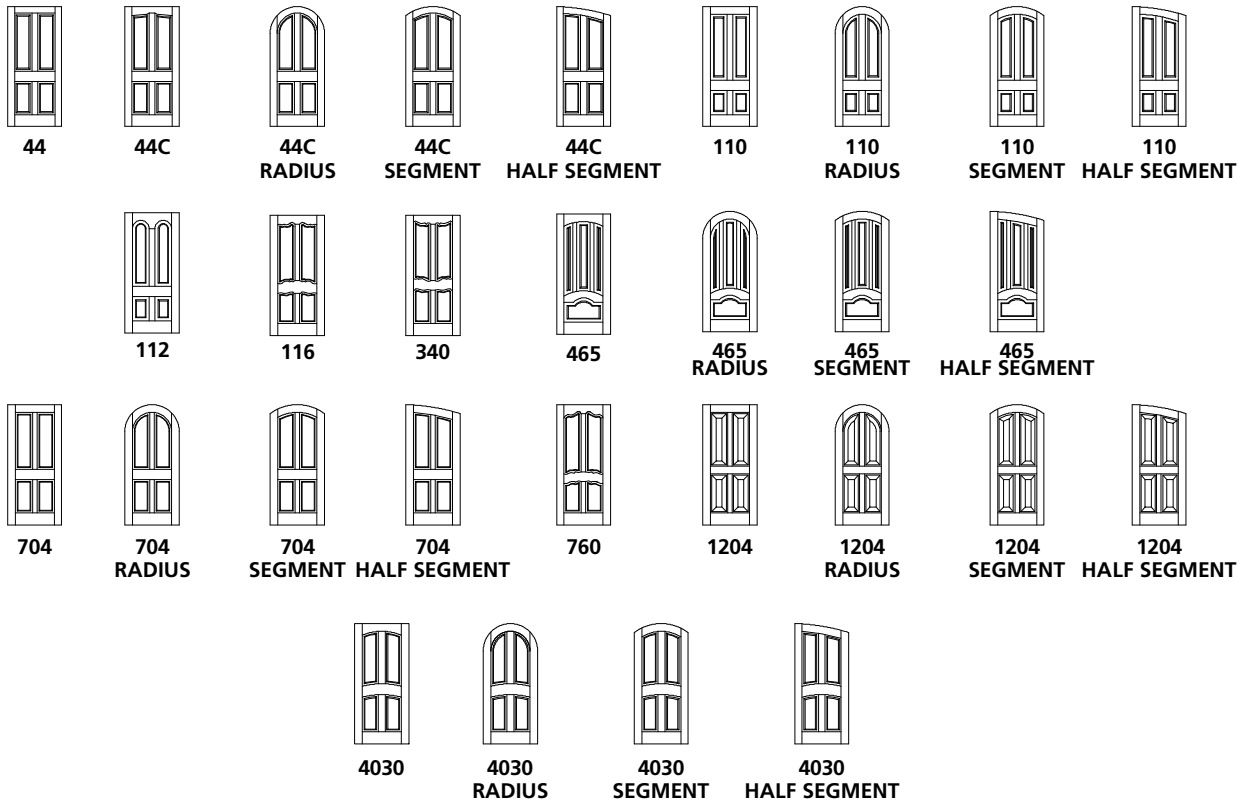
Decorative Hardware

Exterior Casing Options

Exterior/Interior Corner Block Options

Section Details

44	465
110	704
112	760
116	1204
340	4030

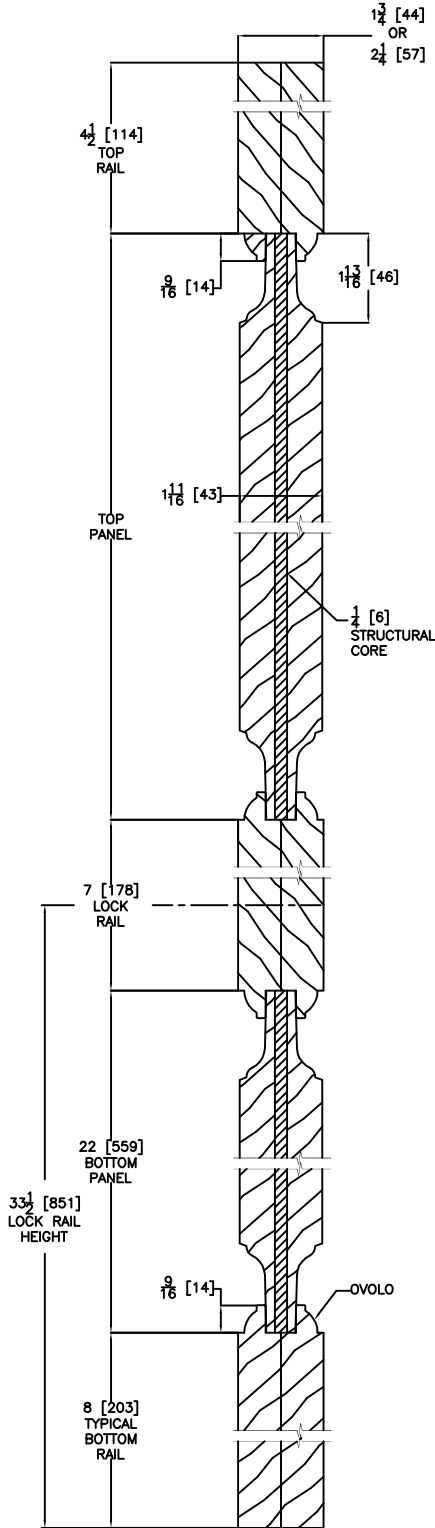


### ELEVATION NOTES

Door Size = Book Size Before Prefit  
 Daylight Opening (DLO) = Visible Glass  
 Values in brackets [ ] are millimeter conversions.

### DOOR CROSS-SECTION

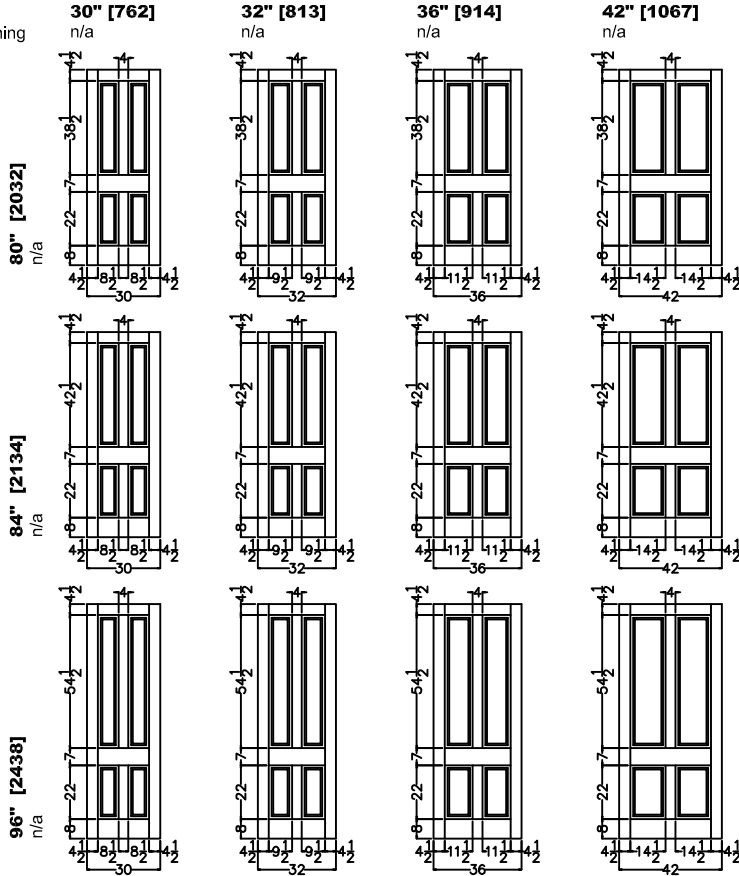
Moulding Profile = Ovolo Sticking  
 Panel Profile = Double Hip  
 See 44,44C Cross Section sheet for more detail.



VERTICAL DOOR/SIDELIGHT CROSS SECTION

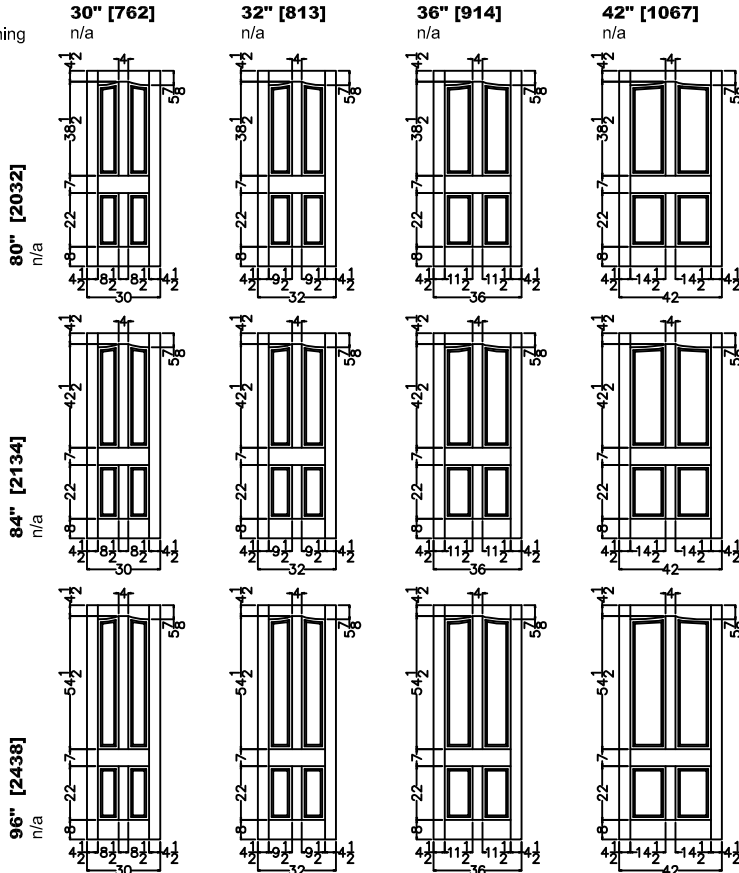
### 44

**Door Size**  
 Daylight Opening



### 44C

**Door Size**  
 Daylight Opening

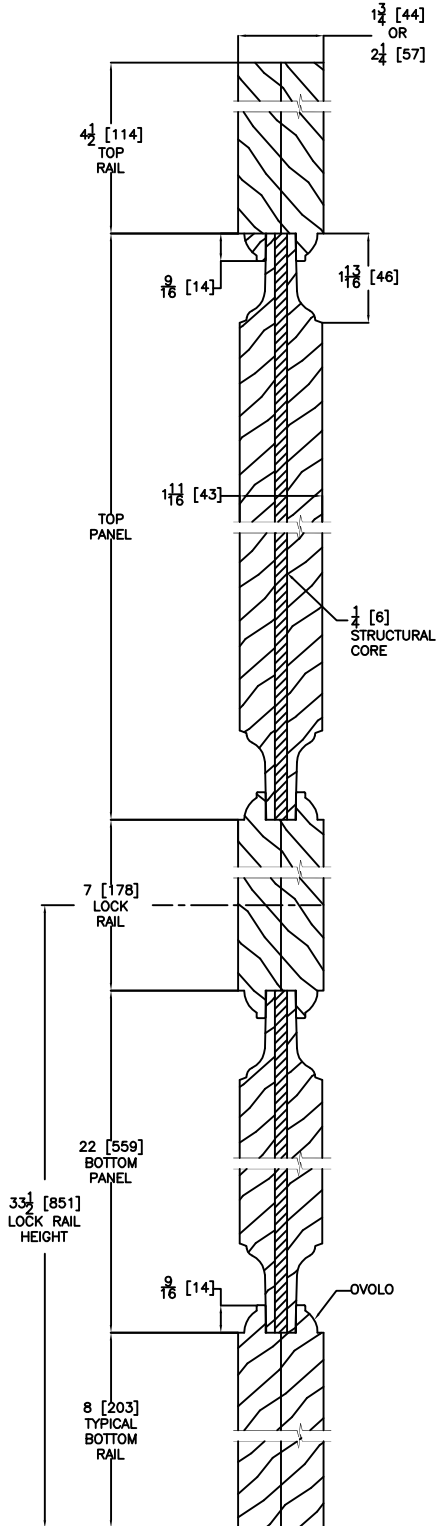


### ELEVATION NOTES

Door Size = Book Size Before Prefit  
 Daylight Opening (DLO) = Visible Glass  
 Values in brackets [ ] are millimeter conversions.

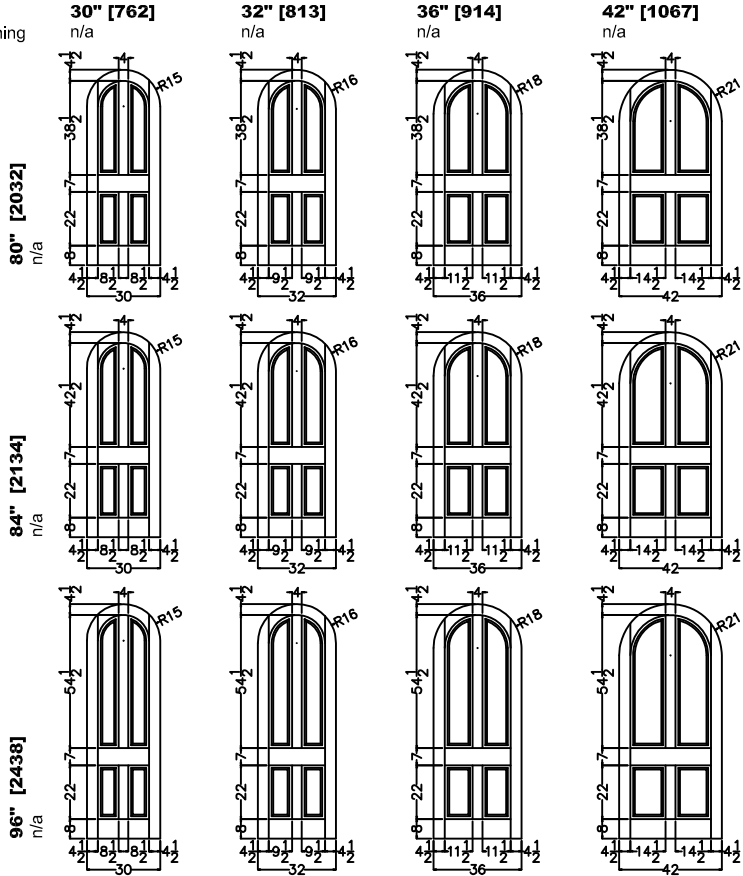
### DOOR CROSS-SECTION

Moulding Profile = Ovolo Sticking  
 Panel Profile = Double Hip  
 See 44,44C Cross Section sheet for more detail.



### RADIUS

Door Size  
 Daylight Opening



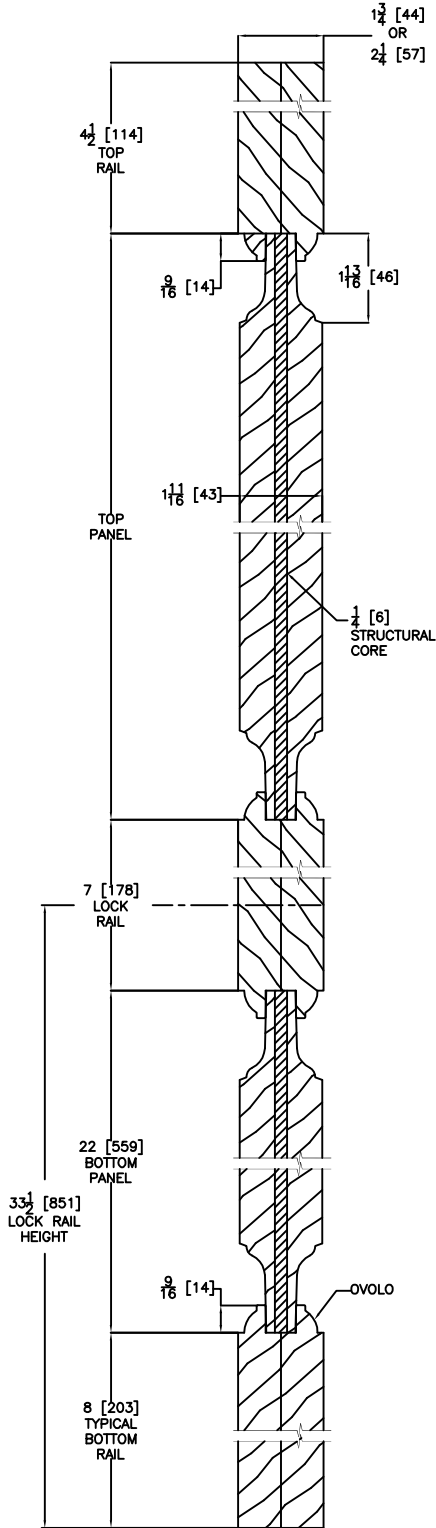
VERTICAL DOOR/SIDELIGHT CROSS SECTION

### ELEVATION NOTES

Door Size = Book Size Before Prefit  
 Daylight Opening (DLO) = Visible Glass  
 Values in brackets [ ] are millimeter conversions.

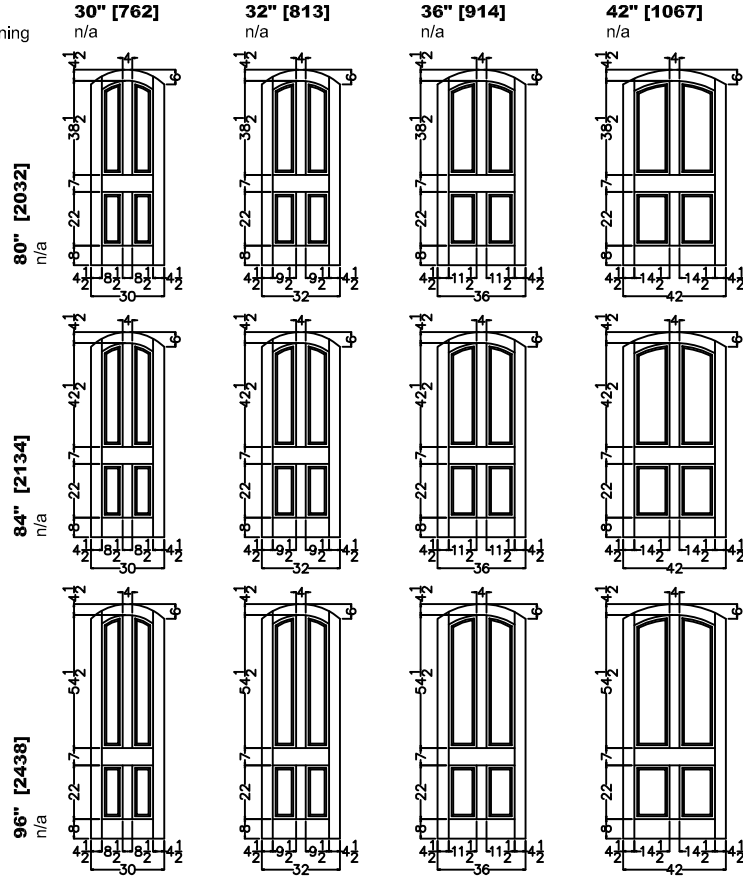
### DOOR CROSS-SECTION

Moulding Profile = Ovolo Sticking  
 Panel Profile = Double Hip  
 See 44,44C Cross Section sheet for more detail.



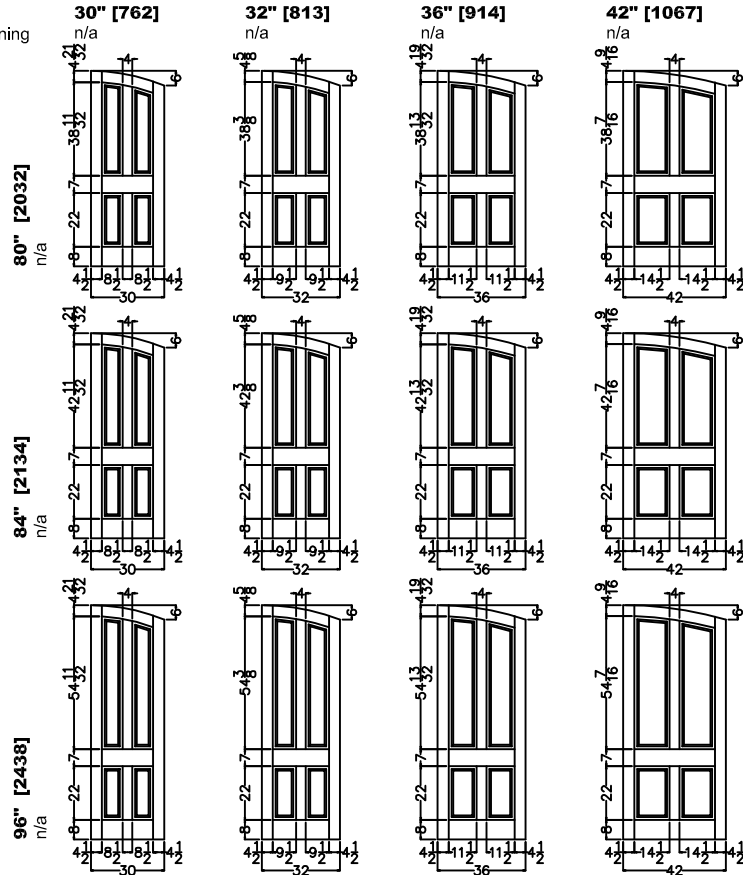
### SEGMENT

Door Size  
 Daylight Opening



### HALF SEGMENT

Door Size  
 Daylight Opening



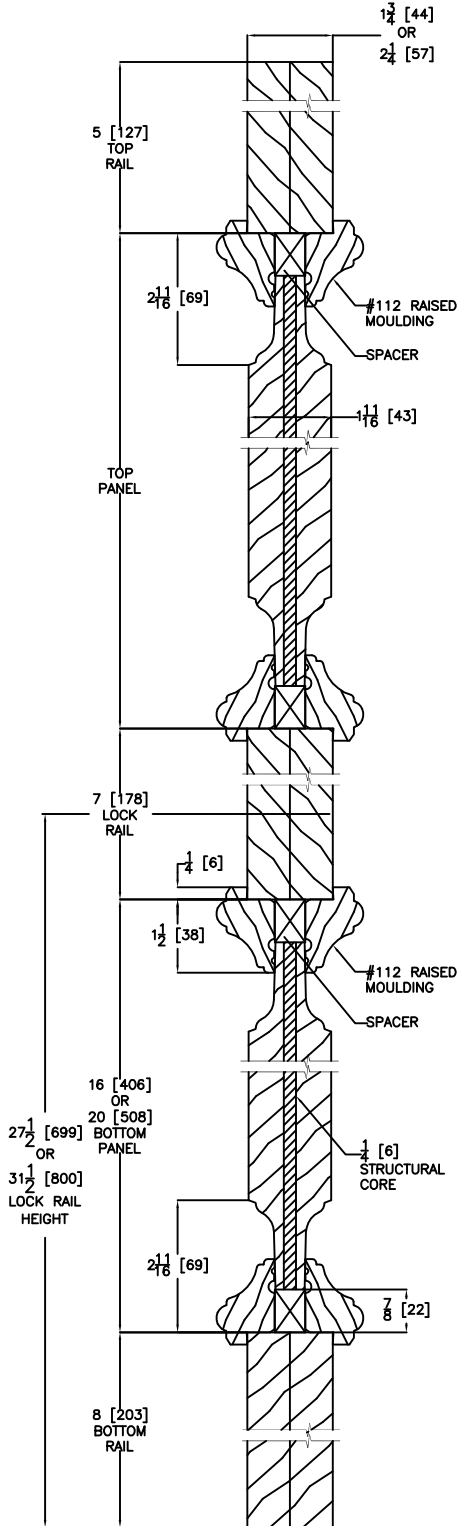
VERTICAL DOOR/SIDELIGHT CROSS SECTION

### ELEVATION NOTES

Door Size = Book Size Before Prefit  
 Daylight Opening (DLO) = Visible Glass  
 Values in brackets [ ] are millimeter conversions.  
 (CARVING OPTIONAL)

### DOOR CROSS-SECTION

Moulding Profile = 112  
 Panel Profile = Double Hip  
 See 110 Cross Section sheet for more detail.

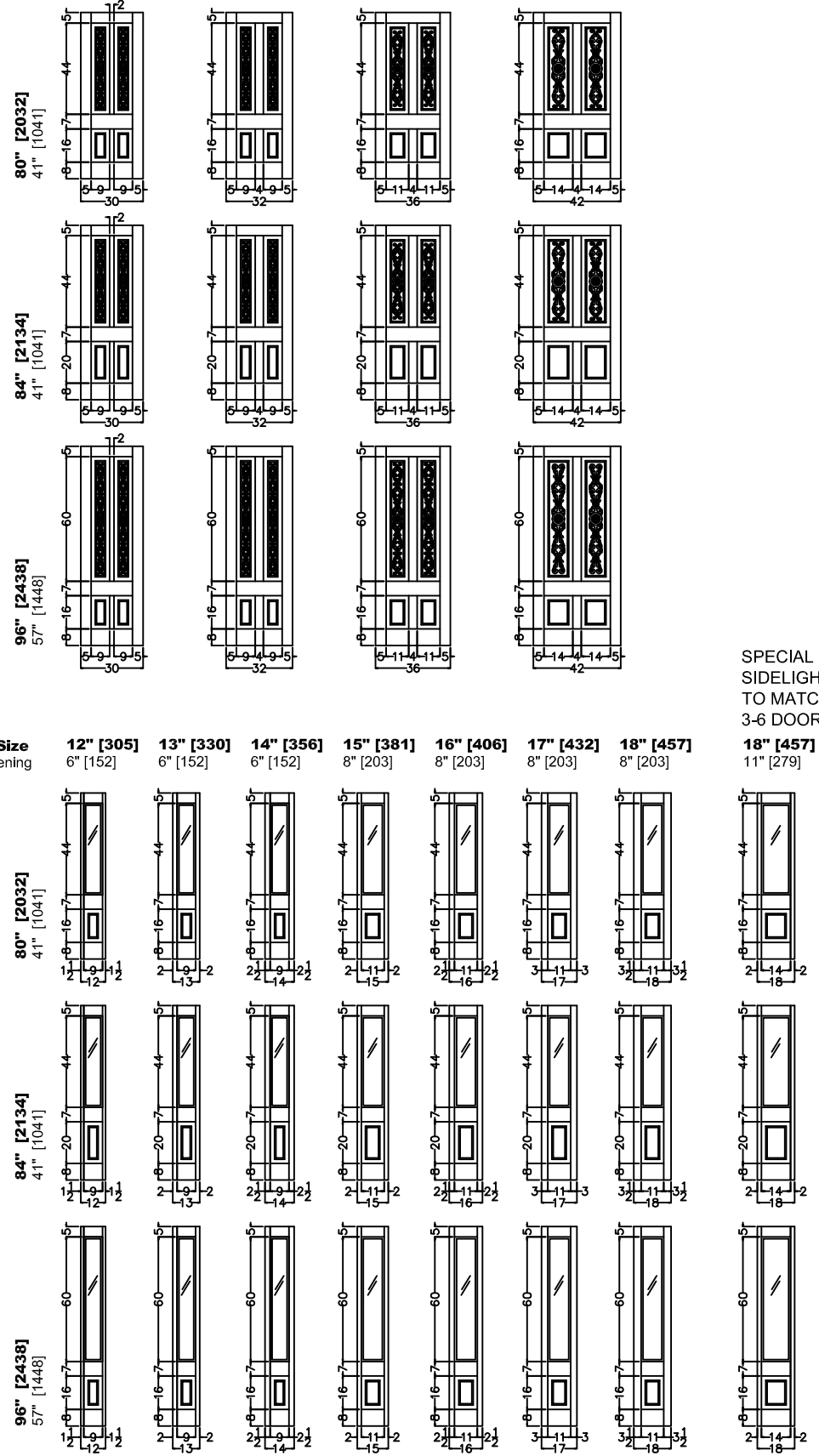


VERTICAL DOOR CROSS SECTION

Door Size	30" [762]	32" [813]	36" [914]	42" [1067]
Daylight Opening	6" [152]	6" [152]	8" [203]	11" [279]
80" [2032]	41" [1041]			
84" [2134]	41" [1041]			
96" [2438]	57" [1448]			

Sidelight Size	12" [305]	13" [330]	14" [356]	15" [381]	16" [406]	17" [432]	18" [457]	18" [457]
Daylight Opening	6" [152]	6" [152]	6" [152]	8" [203]	8" [203]	8" [203]	8" [203]	11" [279]



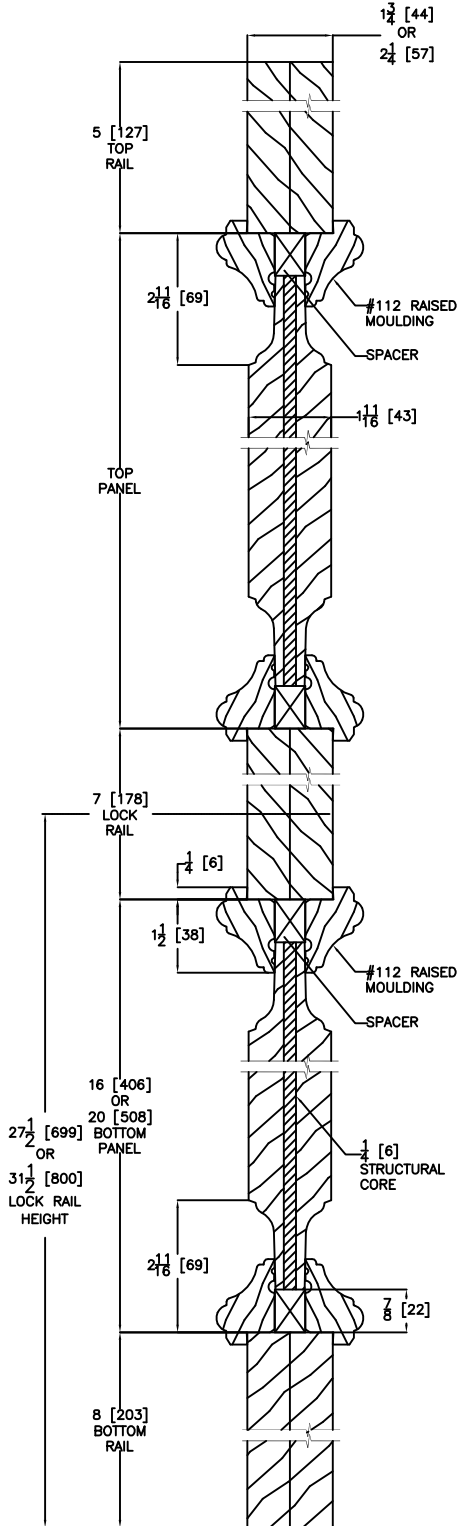
SPECIAL  
SIDELIGHT  
TO MATCH  
3-6 DOOR

### ELEVATION NOTES

Door Size = Book Size Before Prefit  
Daylight Opening (DLO) = Visible Glass  
Values in brackets [ ] are millimeter conversions.  
(CARVING OPTIONAL)

### DOOR CROSS-SECTION

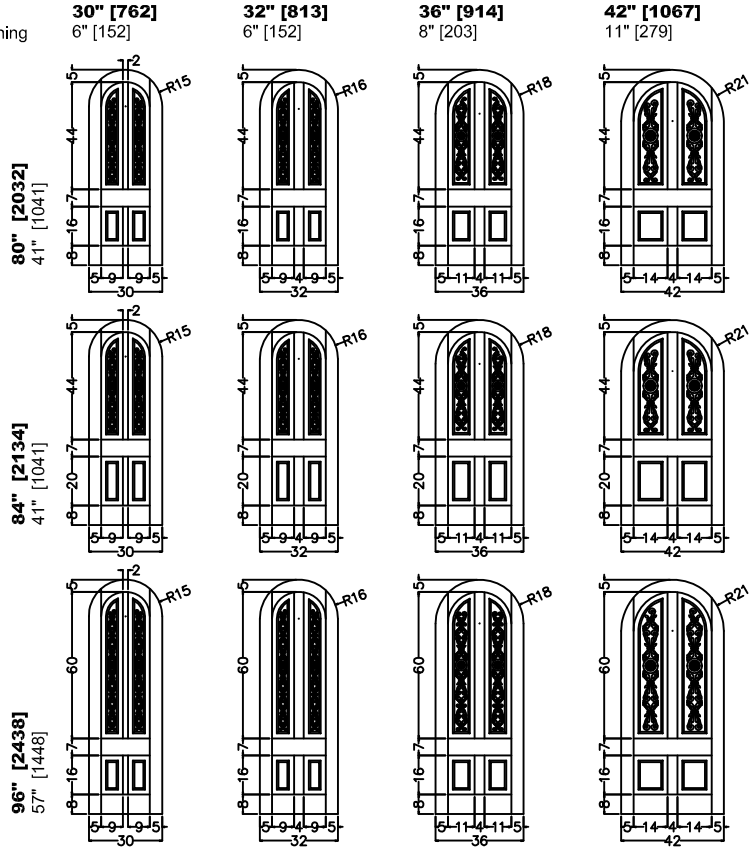
Moulding Profile = 112  
Panel Profile = Double Hip  
See 110 Cross Section sheet for more detail.



VERTICAL DOOR CROSS SECTION

### RADIUS

Door Size  
Daylight Opening

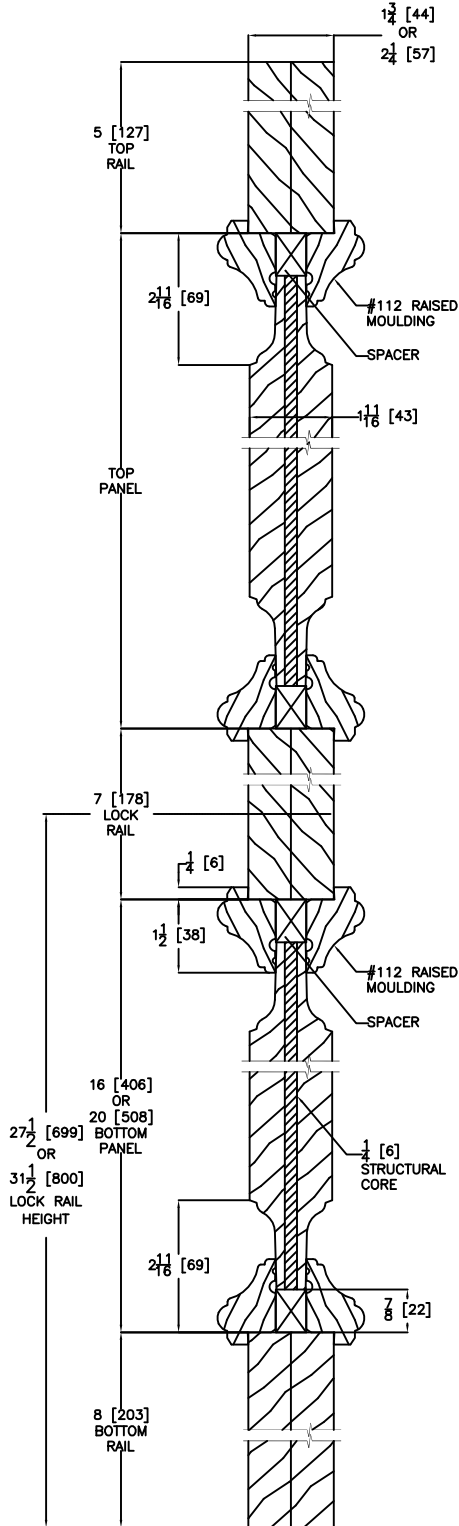


### ELEVATION NOTES

Door Size = Book Size Before Prefit  
 Daylight Opening (DLO) = Visible Glass  
 Values in brackets [ ] are millimeter conversions.  
 (CARVING OPTIONAL)

### DOOR CROSS-SECTION

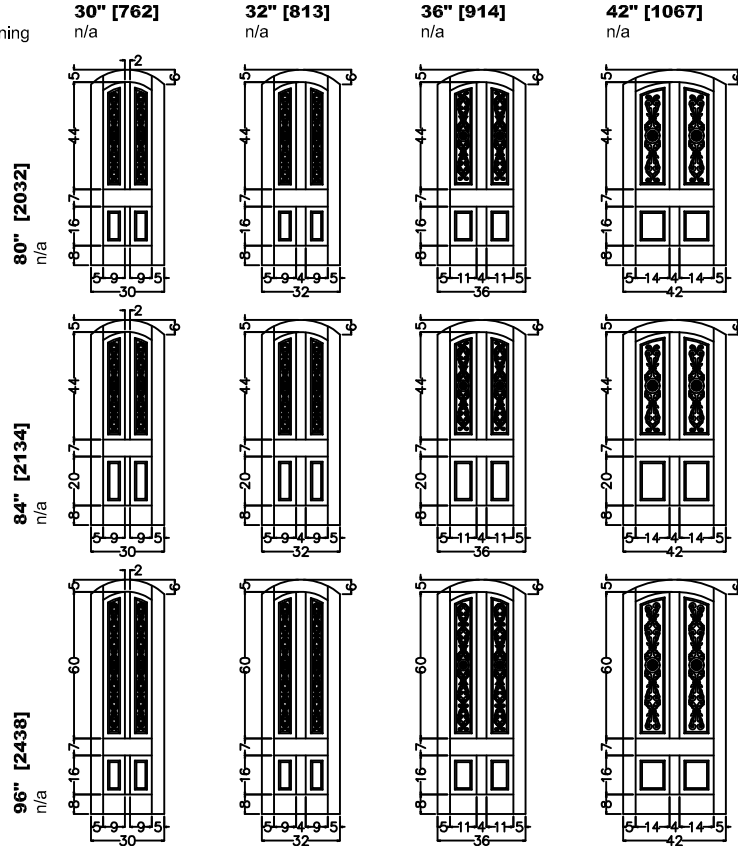
Moulding Profile = 112  
 Panel Profile = Double Hip  
 See 110 Cross Section sheet for more detail.



VERTICAL DOOR CROSS SECTION

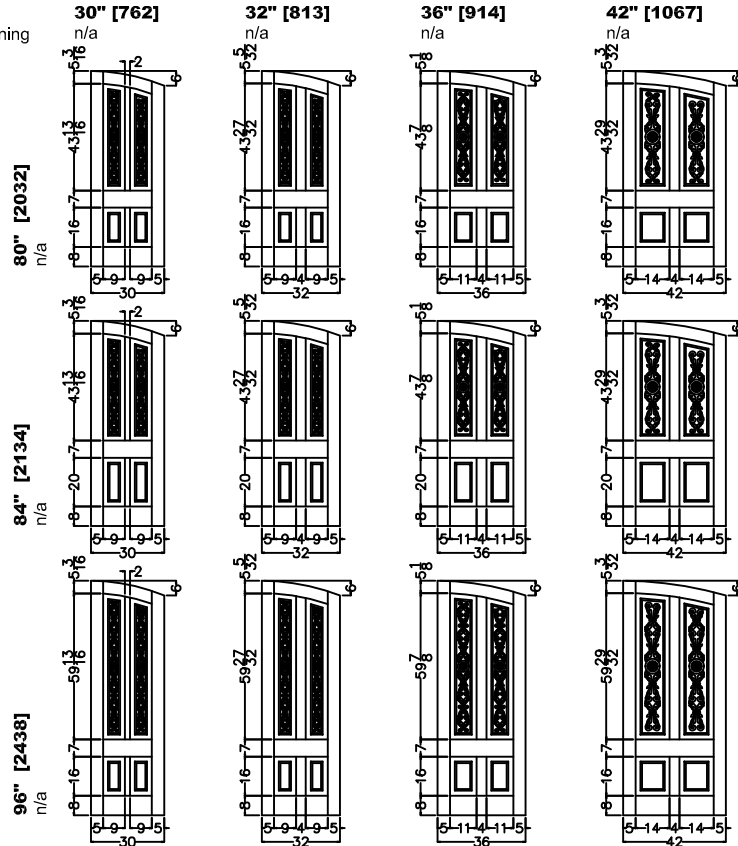
### SEGMENT

Door Size  
 Daylight Opening



### HALF SEGMENT

Door Size  
 Daylight Opening

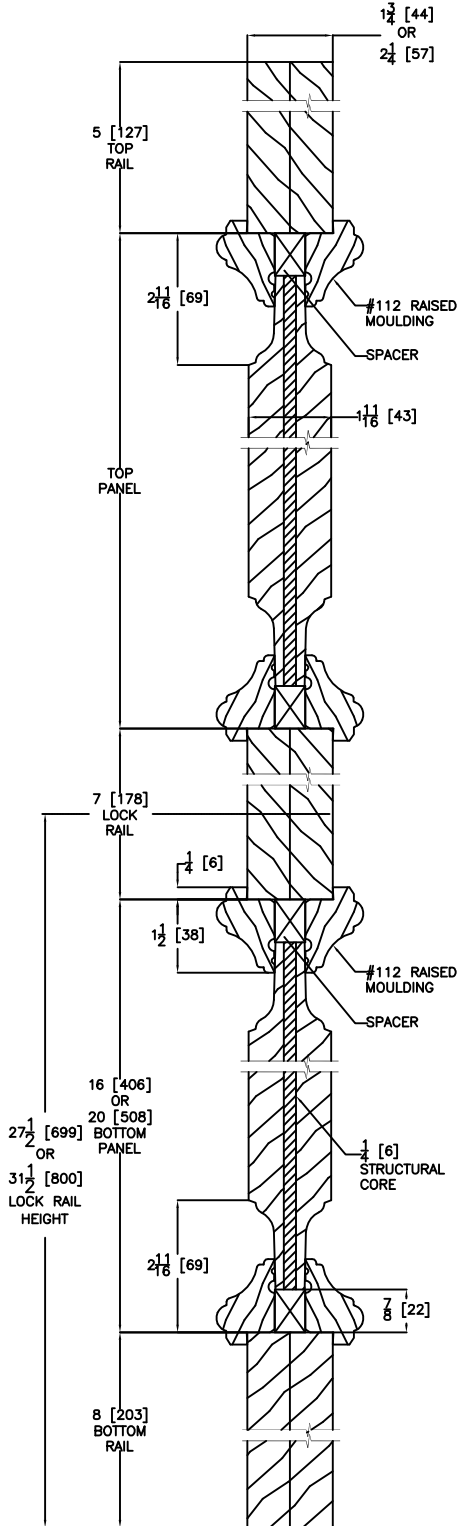


### ELEVATION NOTES

Door Size = Book Size Before Prefit  
 Daylight Opening (DLO) = Visible Glass  
 Values in brackets [ ] are millimeter conversions.  
 (CARVING OPTIONAL)

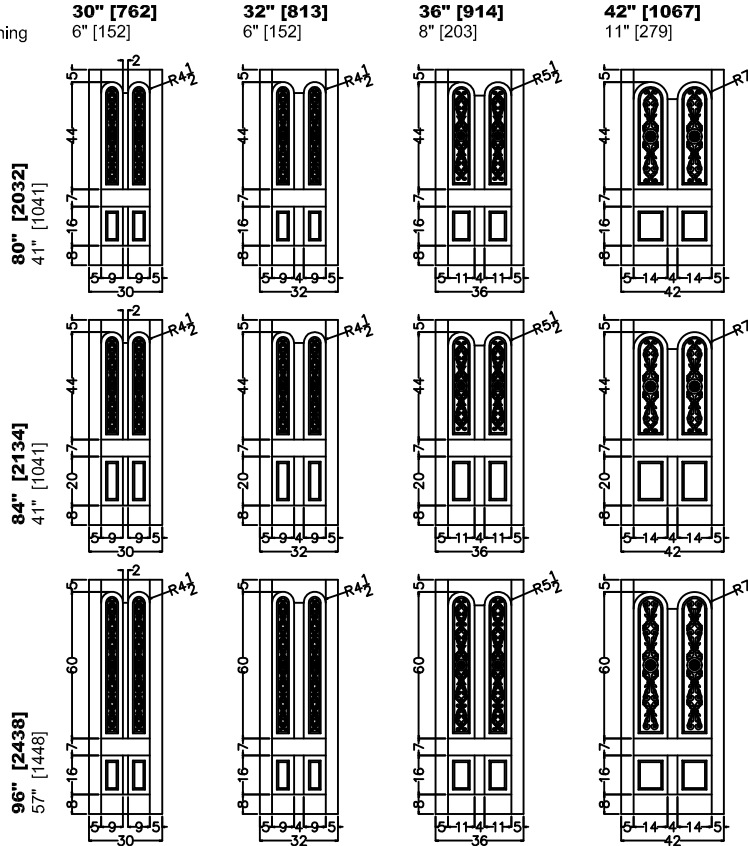
### DOOR CROSS-SECTION

Moulding Profile = 112  
 Panel Profile = Double Hip  
 See 112 Cross Section sheet for more detail.

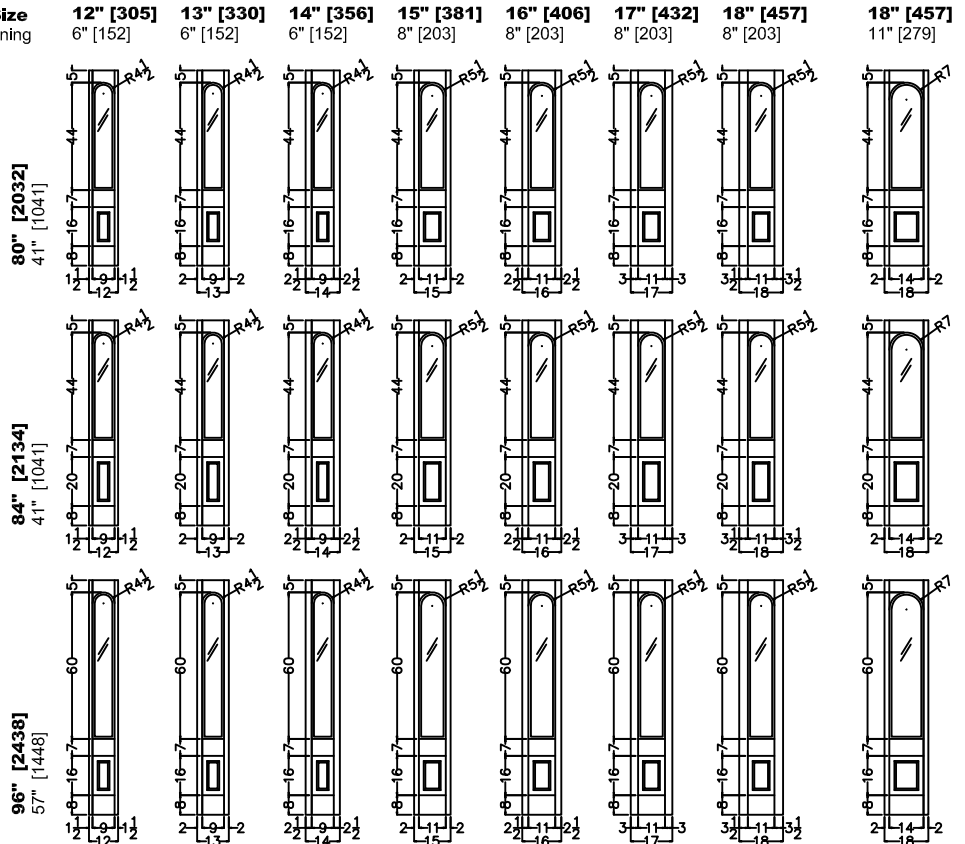


VERTICAL DOOR CROSS SECTION

**Door Size**  
Daylight Opening



**Sidelight Size**  
Daylight Opening



SPECIAL  
SIDELIGHT  
TO MATCH  
3-6 DOOR

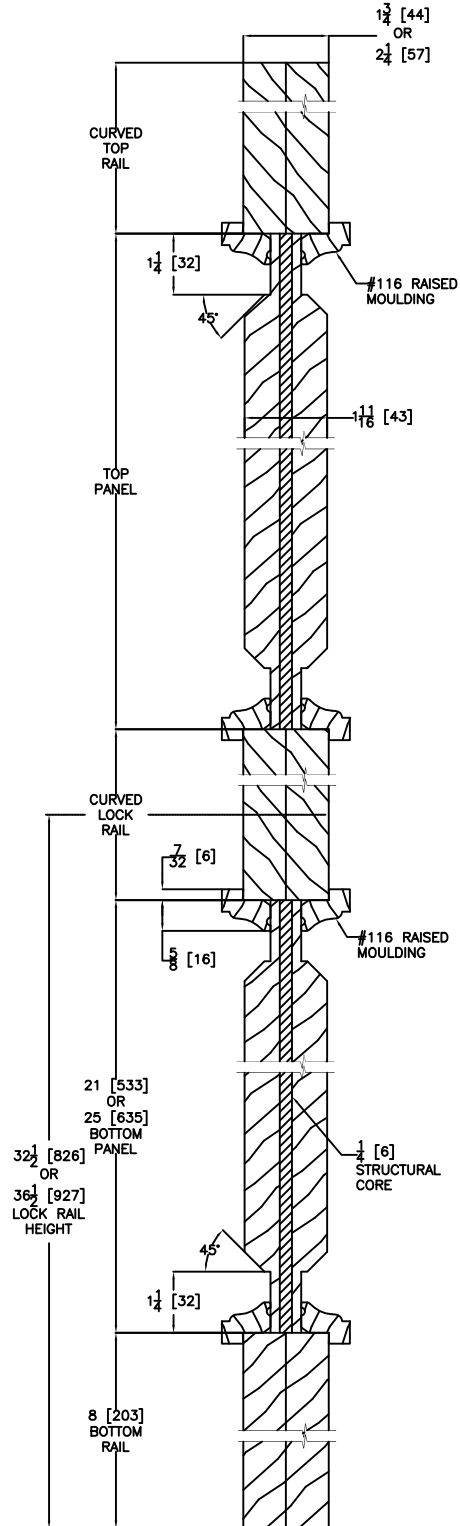


### ELEVATION NOTES

Door Size = Book Size Before Prefit  
 Daylight Opening (DLO) = Visible Glass  
 Values in brackets [ ] are millimeter conversions.  
 (CARVINGS OPTIONAL)

### DOOR CROSS-SECTION

Moulding Profile = 116  
 Panel Profile = 45 Degree  
 See 116 Cross Section sheet for more detail.



VERTICAL DOOR CROSS SECTION

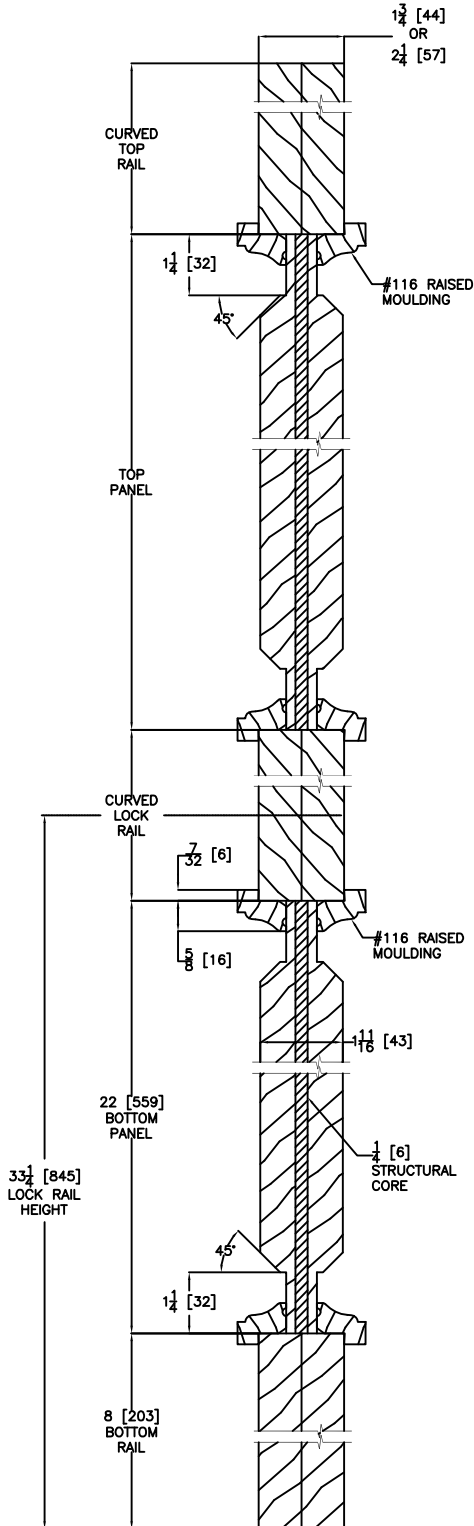
Door Size	30" [762]	32" [813]	36" [914]	42" [1067]			
Daylight Opening	7 3/4" [197]	7 3/4" [197]	10 1/4" [260]	13 1/4" [337]			
80" [2032]	37 1/4" [946]						
84" [2134]	37 1/4" [946]						
96" [2438]	53 1/4" [1353]						
Sidelight Size	12" [305]	13" [330]	14" [356]	15" [381]	16" [406]	17" [432]	18" [457]
Daylight Opening	7 3/4" [197]	7 3/4" [197]	7 3/4" [197]	10 1/4" [260]	10 1/4" [260]	10 1/4" [260]	10 1/4" [260]
80" [2032]	37 1/4" [946]						
84" [2134]	37 1/4" [946]						
96" [2438]	53 1/4" [1353]						

### ELEVATION NOTES

Door Size = Book Size Before Prefit  
 Daylight Opening (DLO) = Visible Glass  
 Values in brackets [ ] are millimeter conversions.  
 (CARVINGS OPTIONAL)

### DOOR CROSS-SECTION

Moulding Profile = 116  
 Panel Profile = 45 Degree  
 See 340 Cross Section sheet for more detail.



VERTICAL DOOR CROSS SECTION

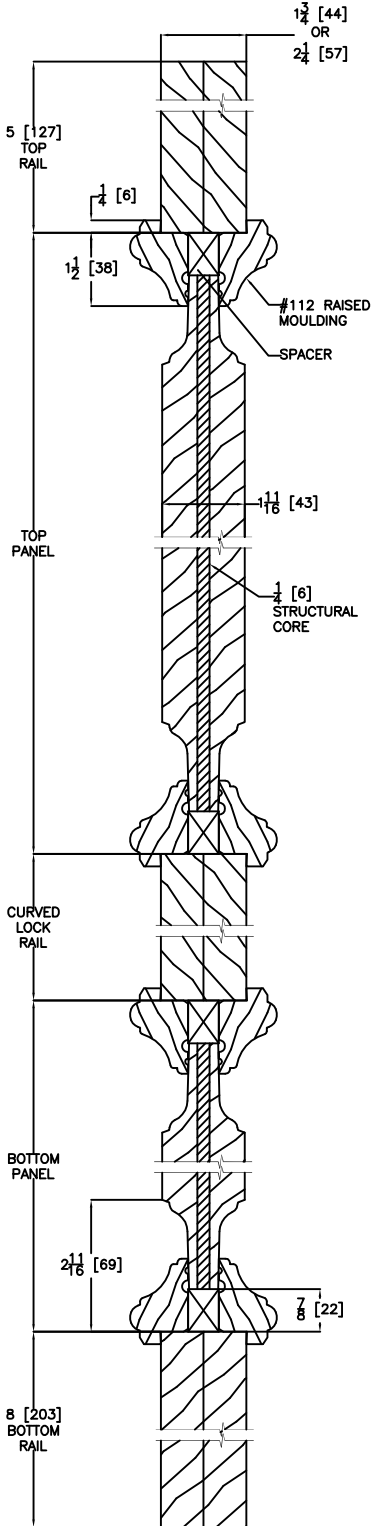
Door Size Daylight Opening	30" [762] n/a	32" [813] n/a	36" [914] n/a	42" [1067] n/a
80" [2032] n/a				
84" [2134] n/a				
96" [2438] n/a				

### ELEVATION NOTES

Door Size = Book Size Before Prefit  
 Daylight Opening (DLO) = Visible Glass  
 Values in brackets [ ] are millimeter conversions.  
 (CARVING OPTIONAL)

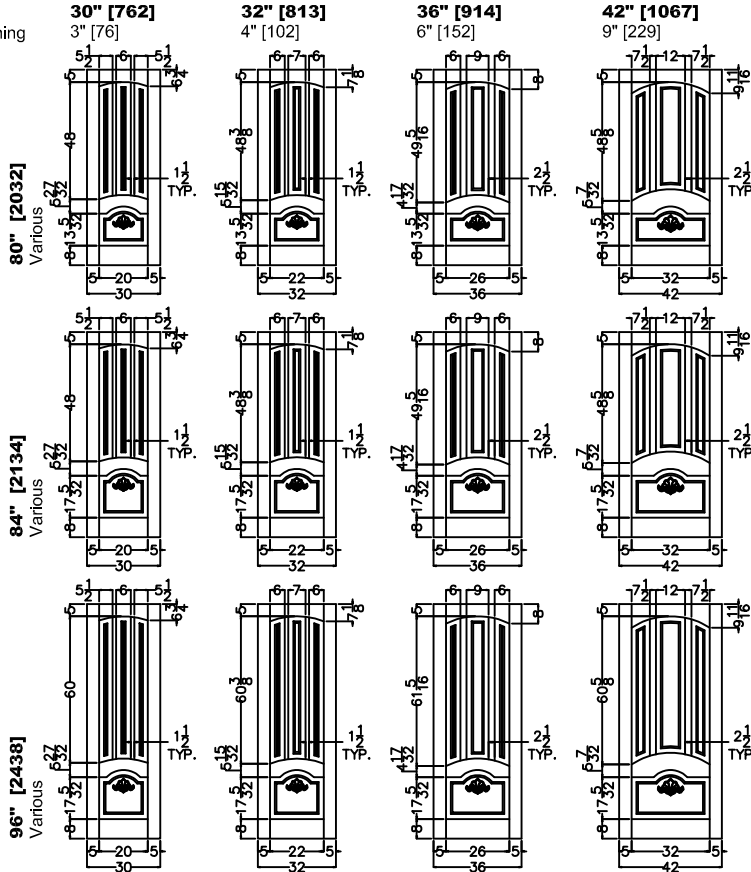
### DOOR CROSS-SECTION

Moulding Profile = 112  
 Panel Profile = Double Hip  
 See 465 Cross Section sheet for more detail.



VERTICAL DOOR CROSS SECTION

### Door Size Daylight Opening



### SIDLIGHT OPTIONS 1-LITE/1-PANEL



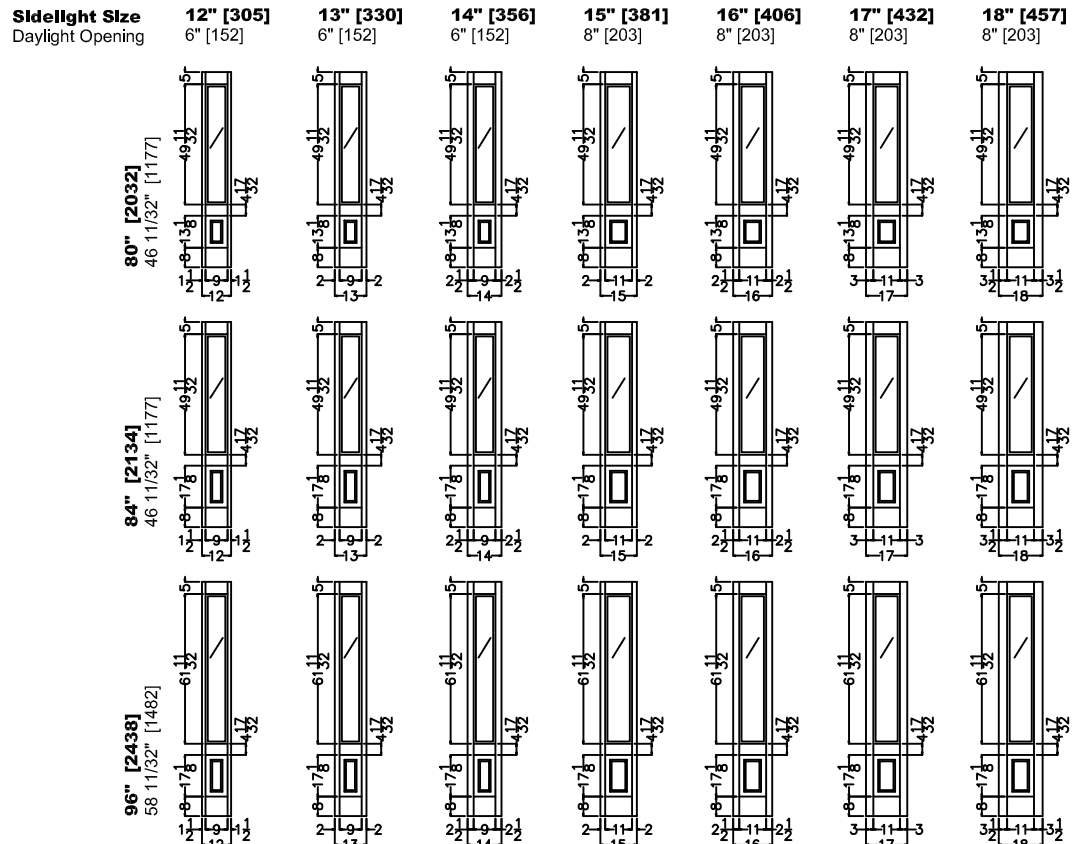
### 4-LITE TDL See 465 SL Drawing



### FULL LITE See 465 SL Drawing



### 1-LITE / 1-PANEL SIDELIGHT

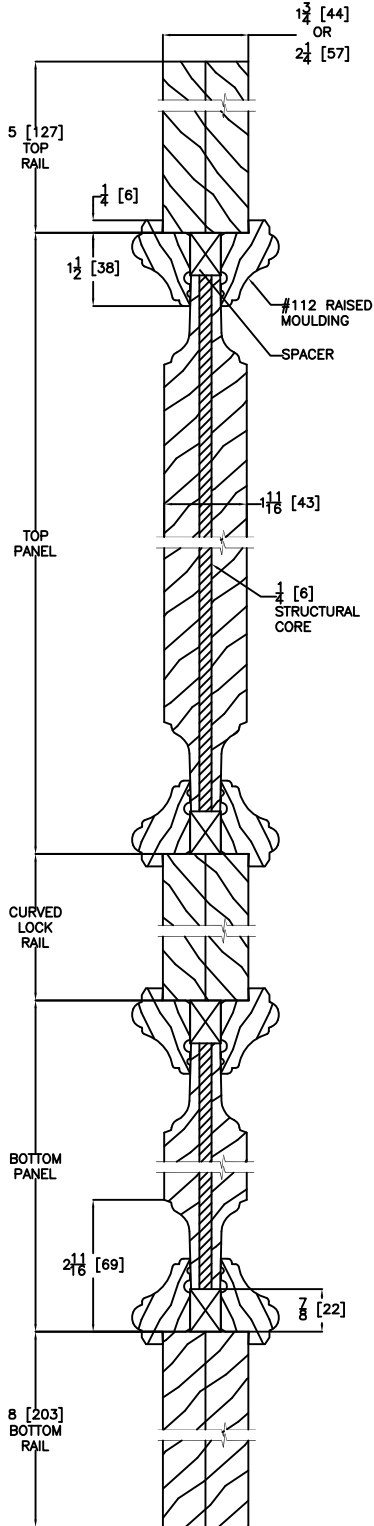


### ELEVATION NOTES

Door Size = Book Size Before Prefit  
 Daylight Opening (DLO) = Visible Glass  
 Values in brackets [ ] are millimeter conversions.  
 (CARVING OPTIONAL)

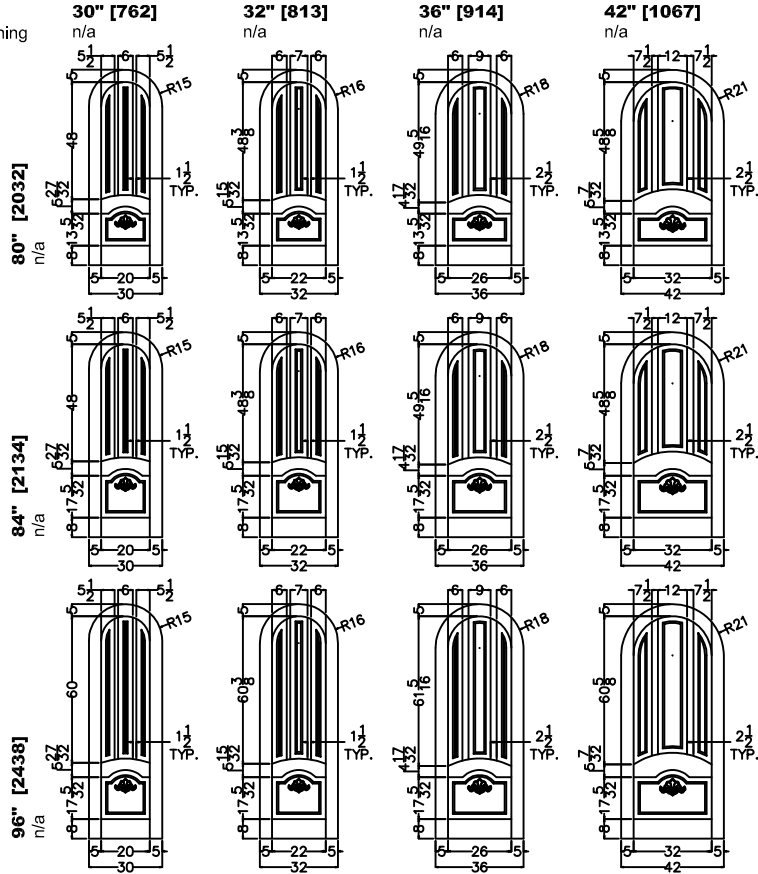
### DOOR CROSS-SECTION

Moulding Profile = 112  
 Panel Profile = Double Hip  
 See 465 Cross Section sheet for more detail.



### RADIUS

Door Size  
 Daylight Opening



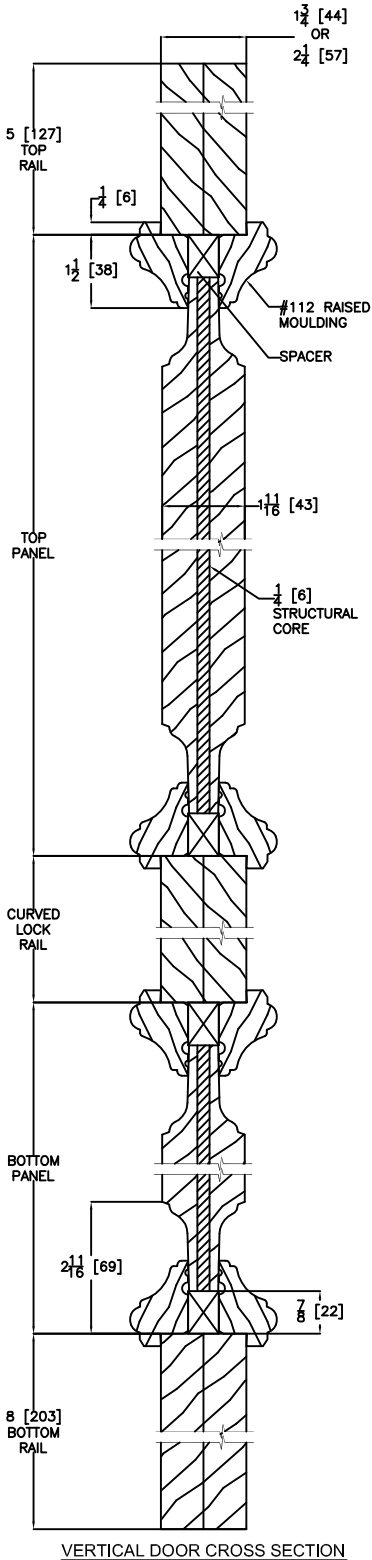
VERTICAL DOOR CROSS SECTION

### ELEVATION NOTES

Door Size = Book Size Before Prefit  
 Daylight Opening (DLO) = Visible Glass  
 Values in brackets [ ] are millimeter conversions.  
 (CARVING OPTIONAL)

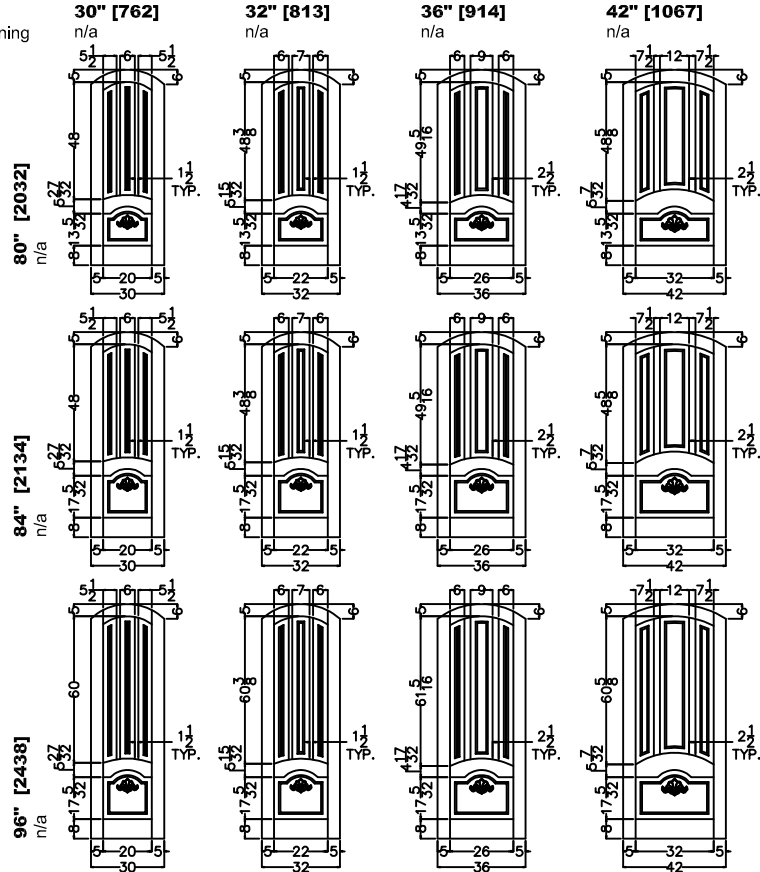
### DOOR CROSS-SECTION

Moulding Profile = 112  
 Panel Profile = Double Hip  
 See 465 Cross Section sheet for more detail.



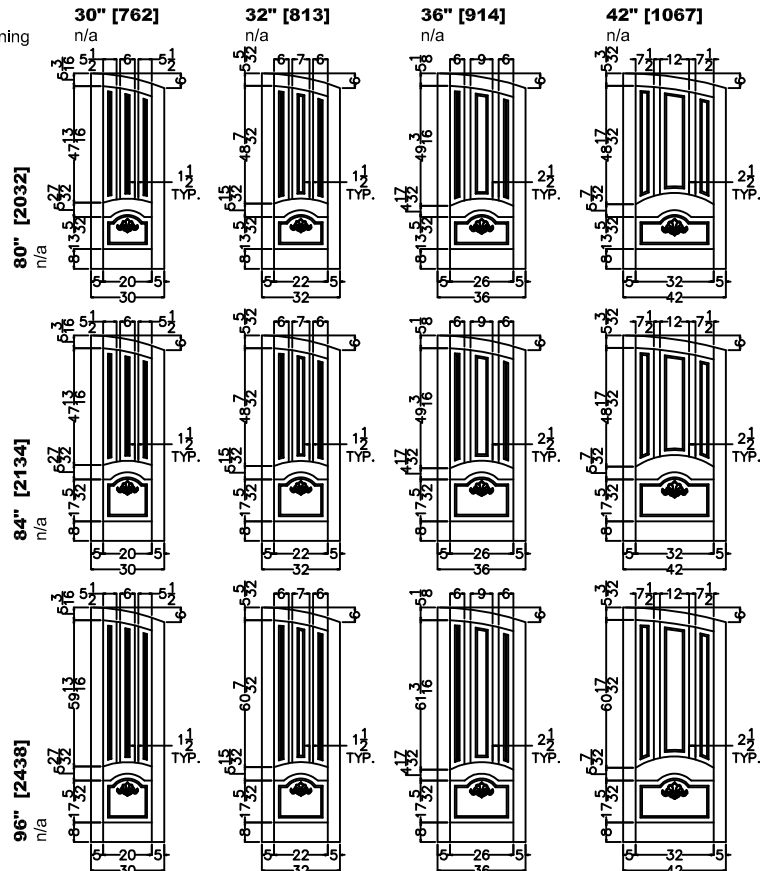
### SEGMENT

Door Size  
 Daylight Opening



### HALF SEGMENT

Door Size  
 Daylight Opening

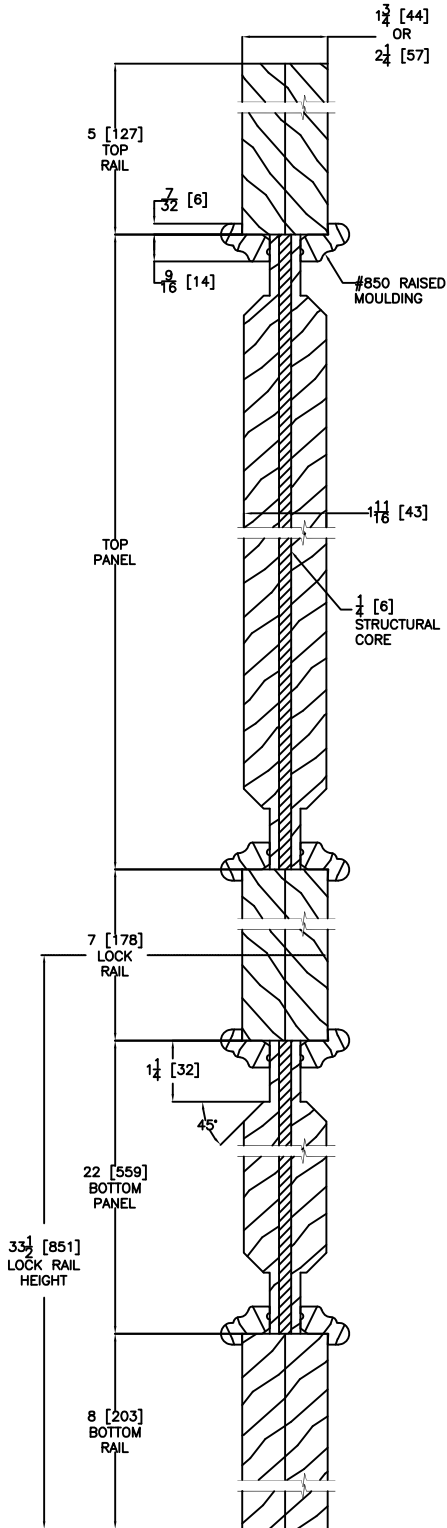


### ELEVATION NOTES

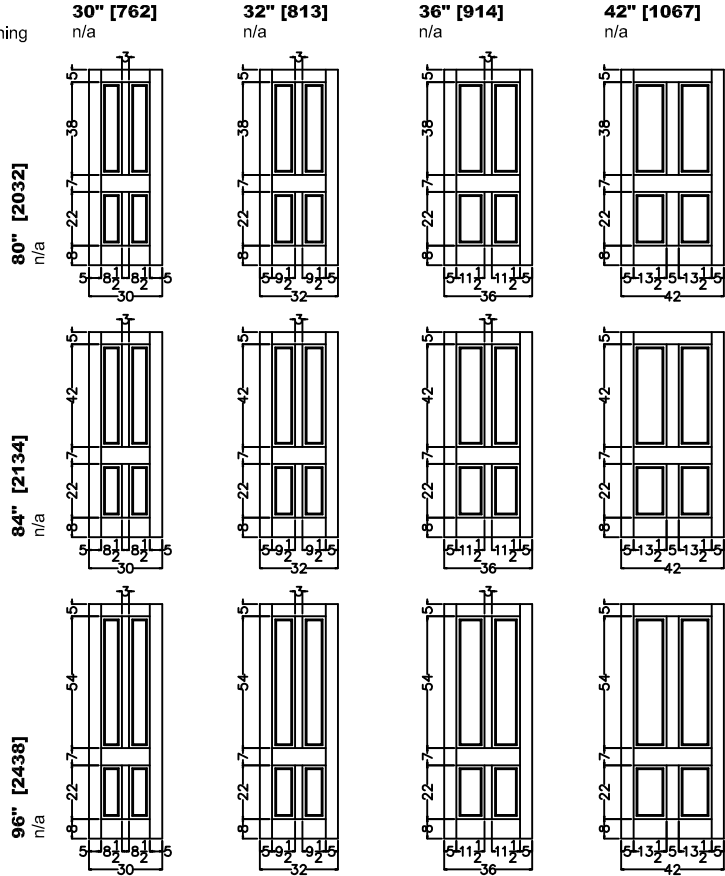
Door Size = Book Size Before Prefit  
 Daylight Opening (DLO) = Visible Glass  
 Values in brackets [ ] are millimeter conversions.

### DOOR CROSS-SECTION

Moulding Profile = 850  
 Panel Profile = 45 Degree  
 See 704 Cross Section sheet for more detail.



**Door Size**  
 Daylight Opening



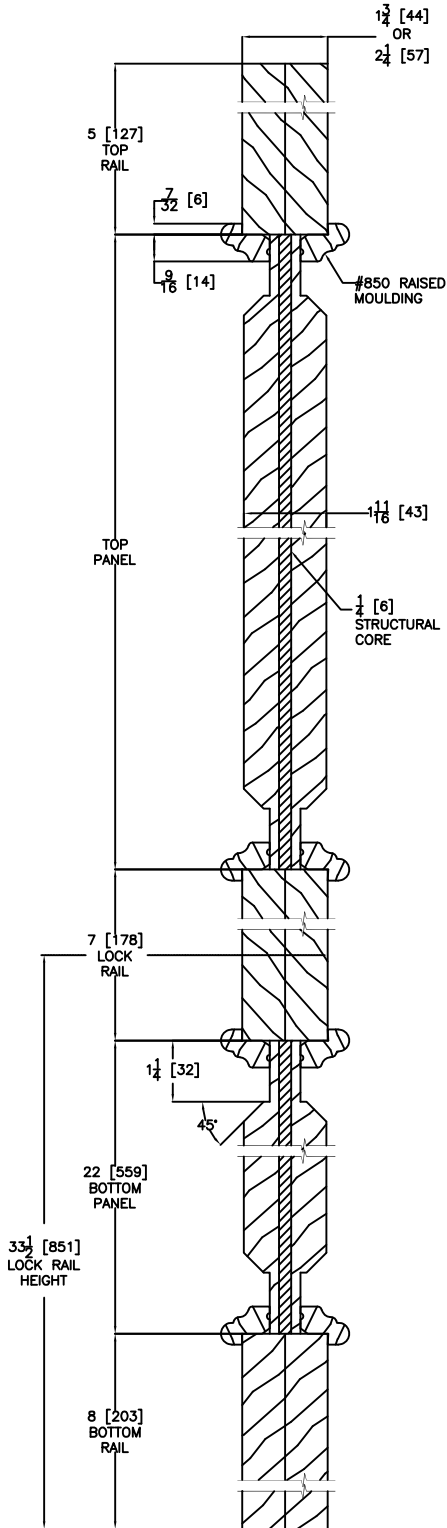
VERTICAL DOOR CROSS SECTION

### ELEVATION NOTES

Door Size = Book Size Before Prefit  
 Daylight Opening (DLO) = Visible Glass  
 Values in brackets [ ] are millimeter conversions.

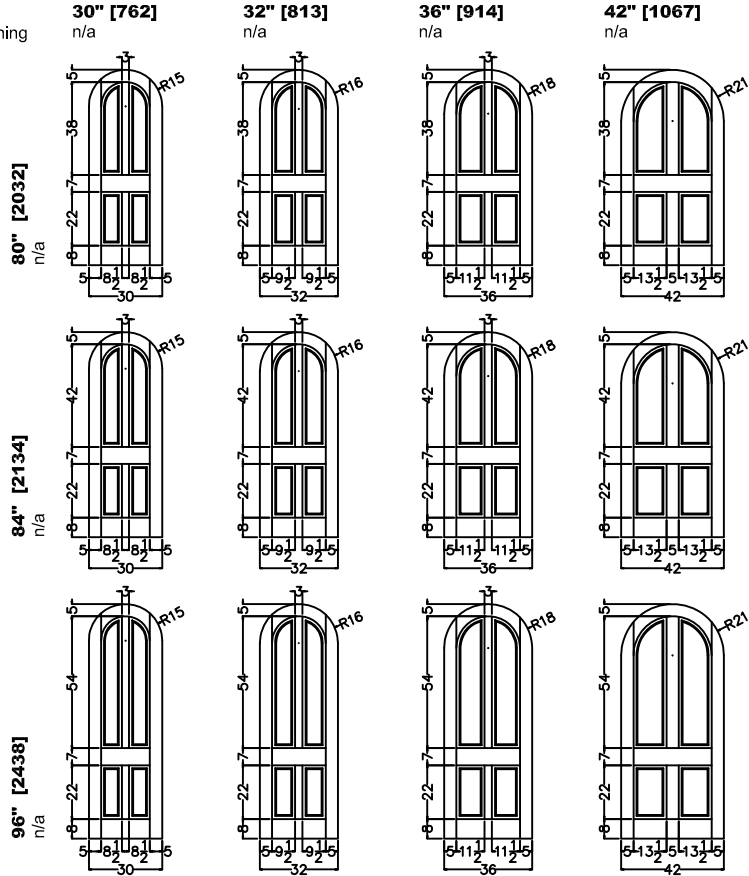
### DOOR CROSS-SECTION

Moulding Profile = 850  
 Panel Profile = 45 Degree  
 See 704 Cross Section sheet for more detail.



### RADIUS

**Door Size**  
 Daylight Opening



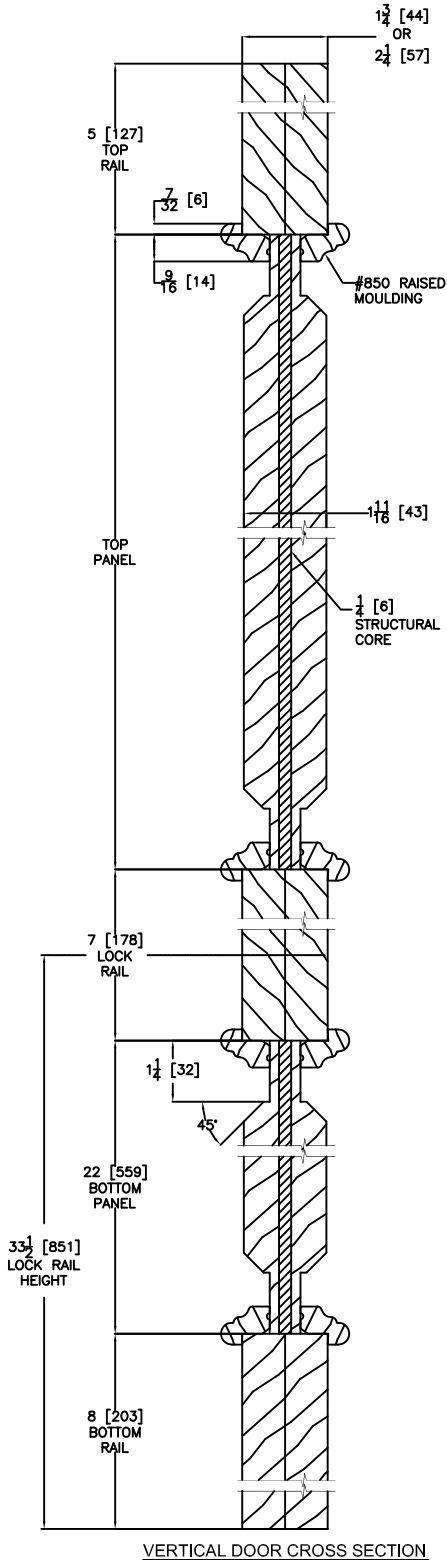
VERTICAL DOOR CROSS SECTION

### ELEVATION NOTES

Door Size = Book Size Before Prefit  
 Daylight Opening (DLO) = Visible Glass  
 Values in brackets [ ] are millimeter conversions.

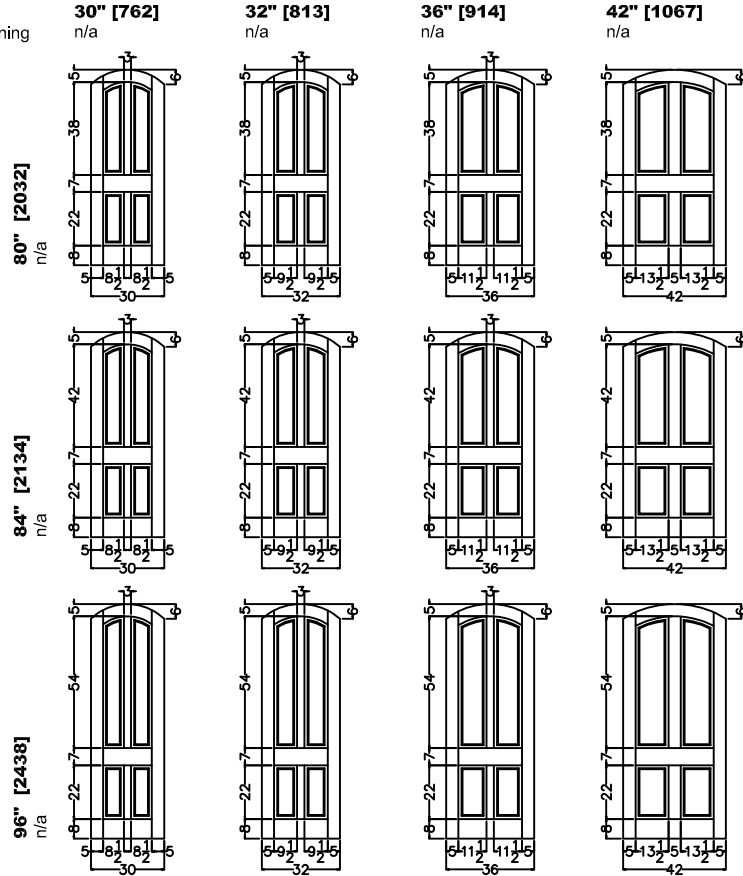
### DOOR CROSS-SECTION

Moulding Profile = 850  
 Panel Profile = 45 Degree  
 See 704 Cross Section sheet for more detail.



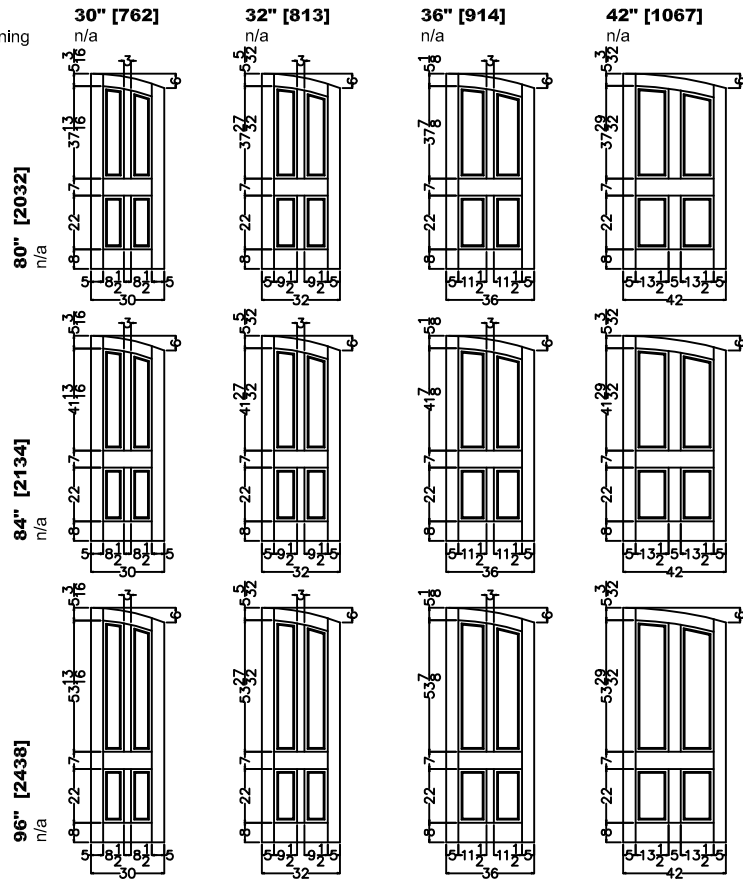
### SEGMENT

Door Size  
 Daylight Opening



### HALF SEGMENT

Door Size  
 Daylight Opening



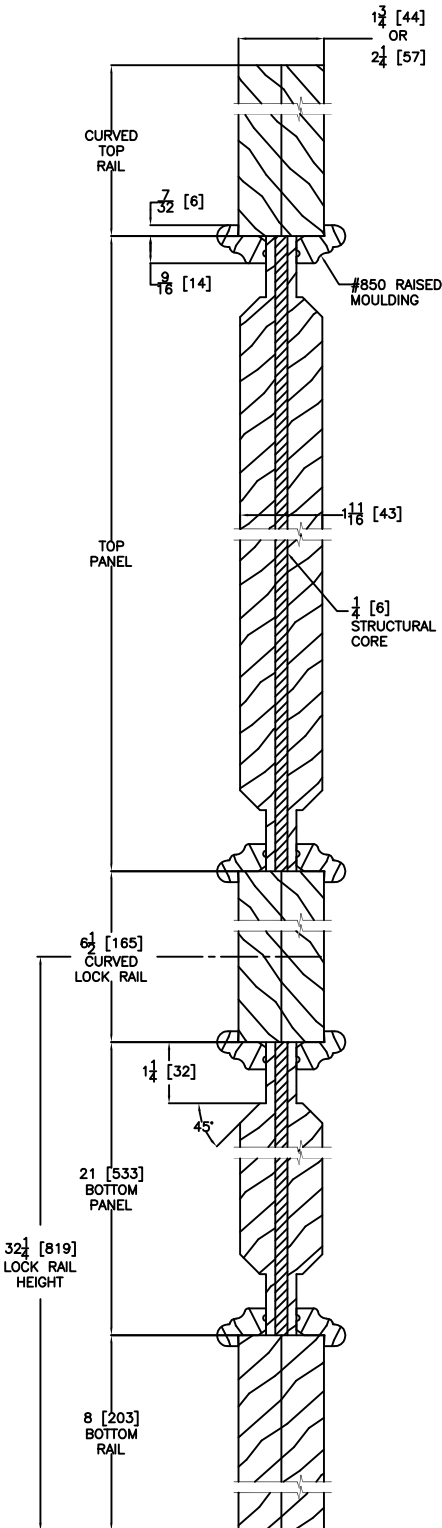


### ELEVATION NOTES

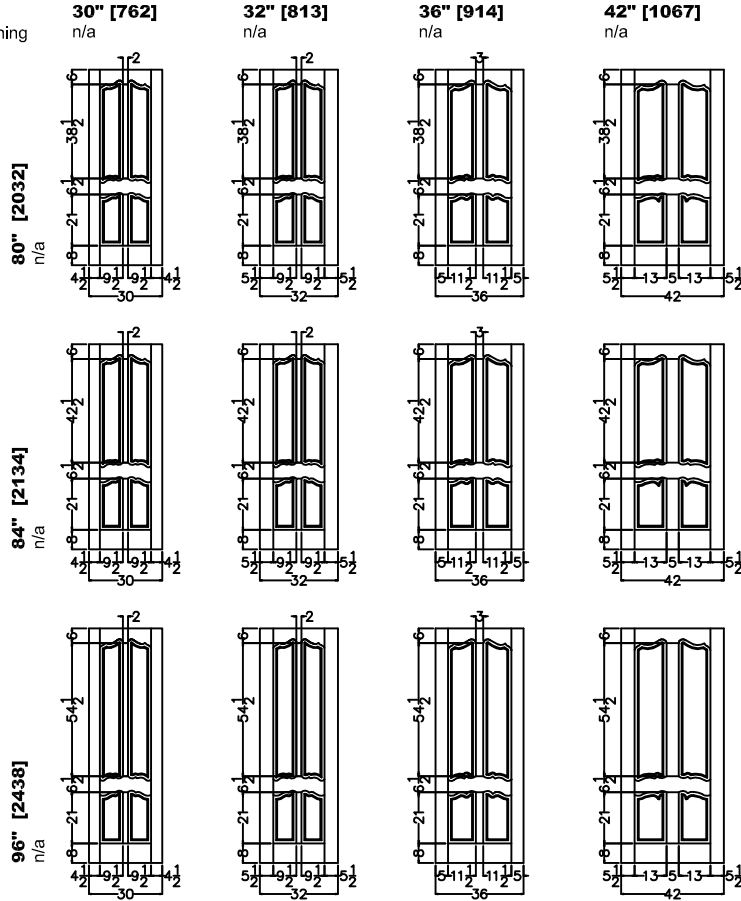
Door Size = Book Size Before Prefit  
 Daylight Opening (DLO) = Visible Glass  
 Values in brackets [ ] are millimeter conversions.

### DOOR CROSS-SECTION

Moulding Profile = 850  
 Panel Profile = 45 Degree  
 See 760 Cross Section sheet for more detail.



**Door Size**  
 Daylight Opening



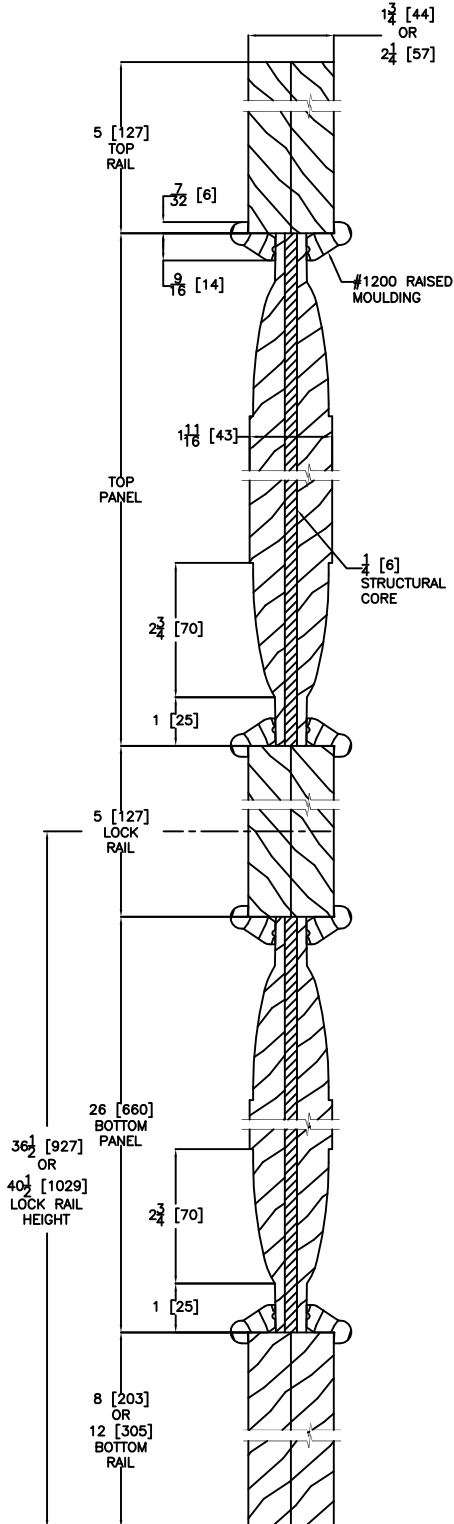
VERTICAL DOOR CROSS SECTION

### ELEVATION NOTES

Door Size = Book Size Before Prefit  
 Daylight Opening (DLO) = Visible Glass  
 Values in brackets [ ] are millimeter conversions.

### DOOR CROSS-SECTION

Moulding Profile = 1200  
 Panel Profile = Convex Long / Convex Short (2-6)  
 See 1204 Cross Section sheet for more detail.



Door Size	30" [762]	32" [813]	36" [914]	42" [1067]
Daylight Opening	n/a	n/a	n/a	n/a
80" [2032]				
84" [2134]				
96" [2438]				

### STRAP PLACEMENT (Hardware Optional/Custom Placement Available)

Door Size	30" [762]	32" [813]	36" [914]	42" [1067]
80" [2032] 84" [2134] 96" [2438]				

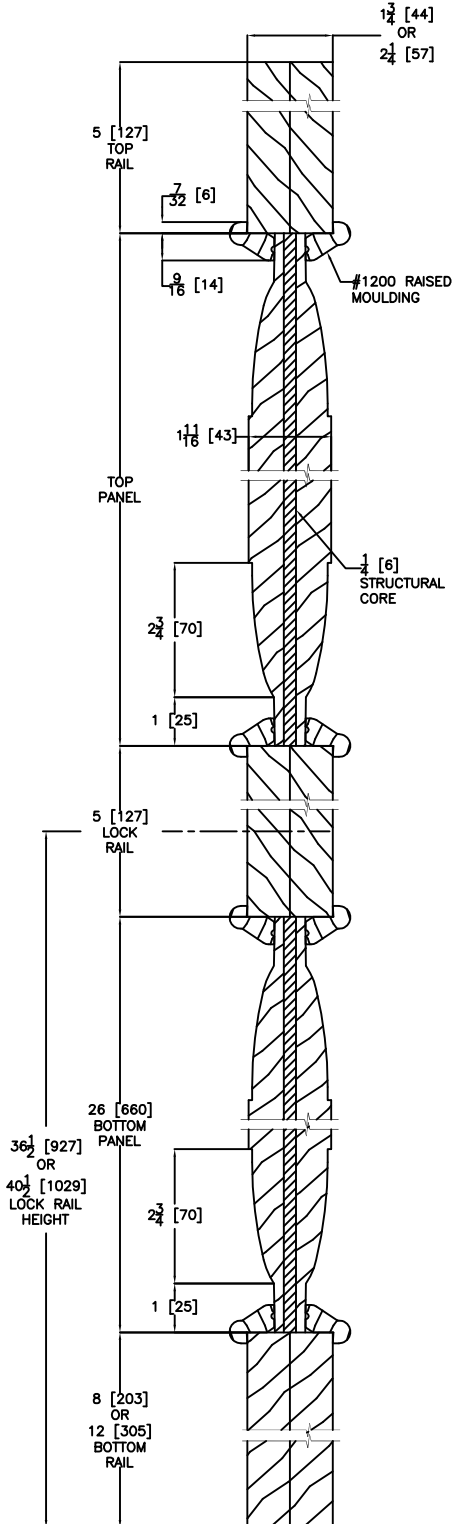
VERTICAL DOOR CROSS SECTION

### ELEVATION NOTES

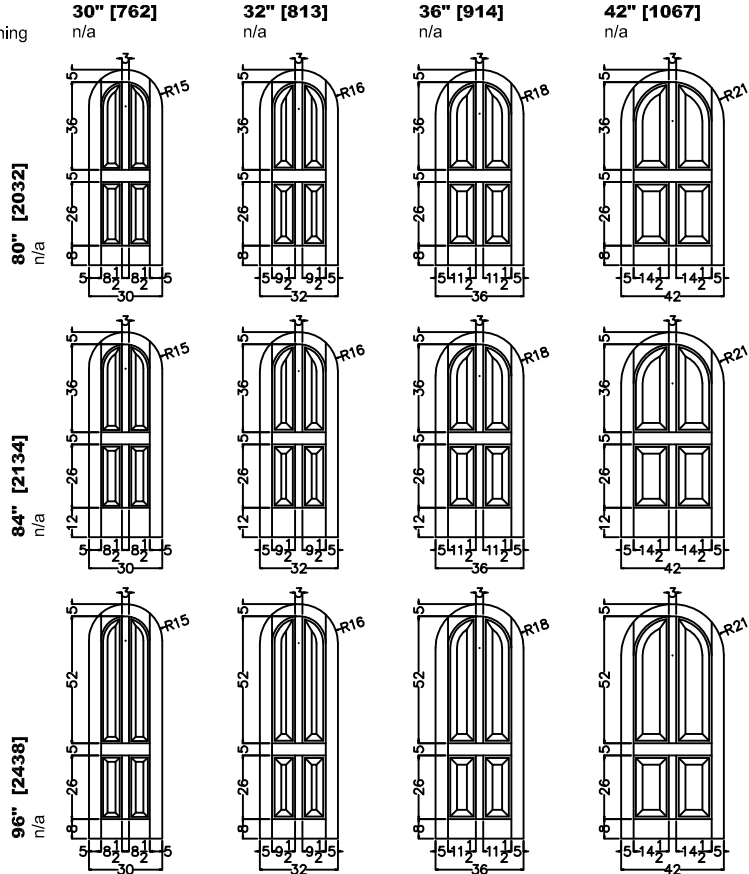
Door Size = Book Size Before Prefit  
 Daylight Opening (DLO) = Visible Glass  
 Values in brackets [ ] are millimeter conversions.

### DOOR CROSS-SECTION

Moulding Profile = 1200  
 Panel Profile = Convex Long / Convex Short (2-6)  
 See 1204 Cross Section sheet for more detail.

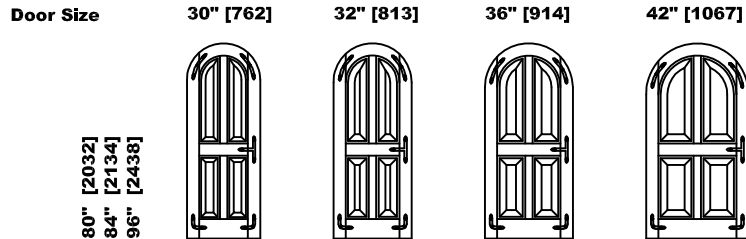


**Door Size**  
 Daylight Opening



### STRAP PLACEMENT

(Hardware Optional/Custom Placement Available)

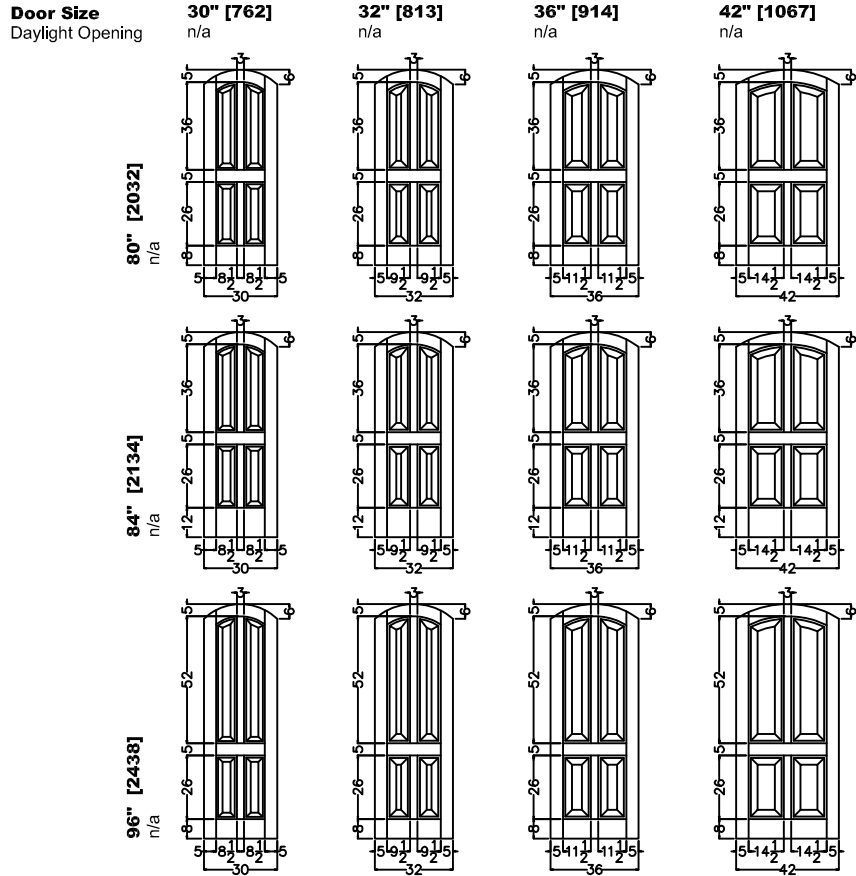
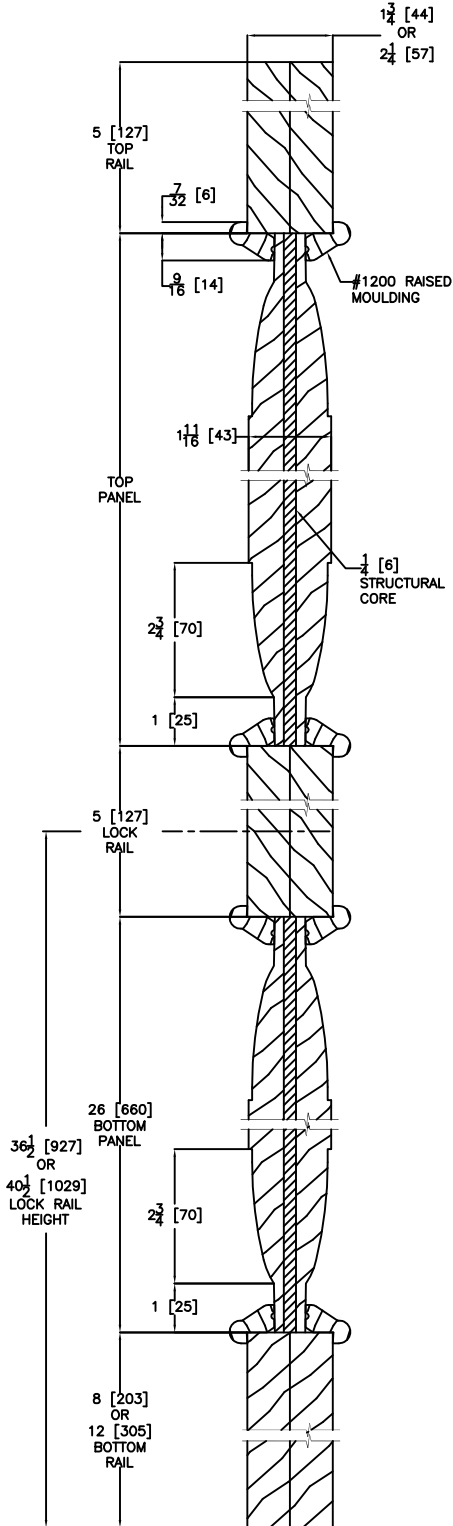


### ELEVATION NOTES

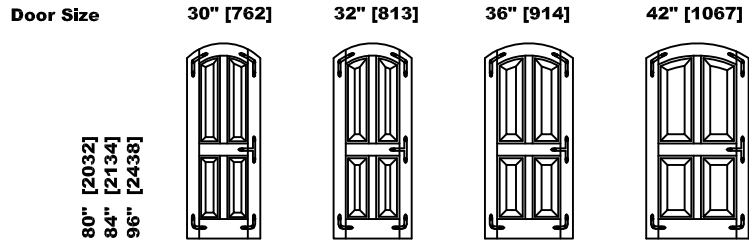
Door Size = Book Size Before Prefit  
 Daylight Opening (DLO) = Visible Glass  
 Values in brackets [ ] are millimeter conversions.

### DOOR CROSS-SECTION

Moulding Profile = 1200  
 Panel Profile = Convex Long / Convex Short (2-6)  
 See 1204 Cross Section sheet for more detail.



### STRAP PLACEMENT (Hardware Optional/Custom Placement Available)

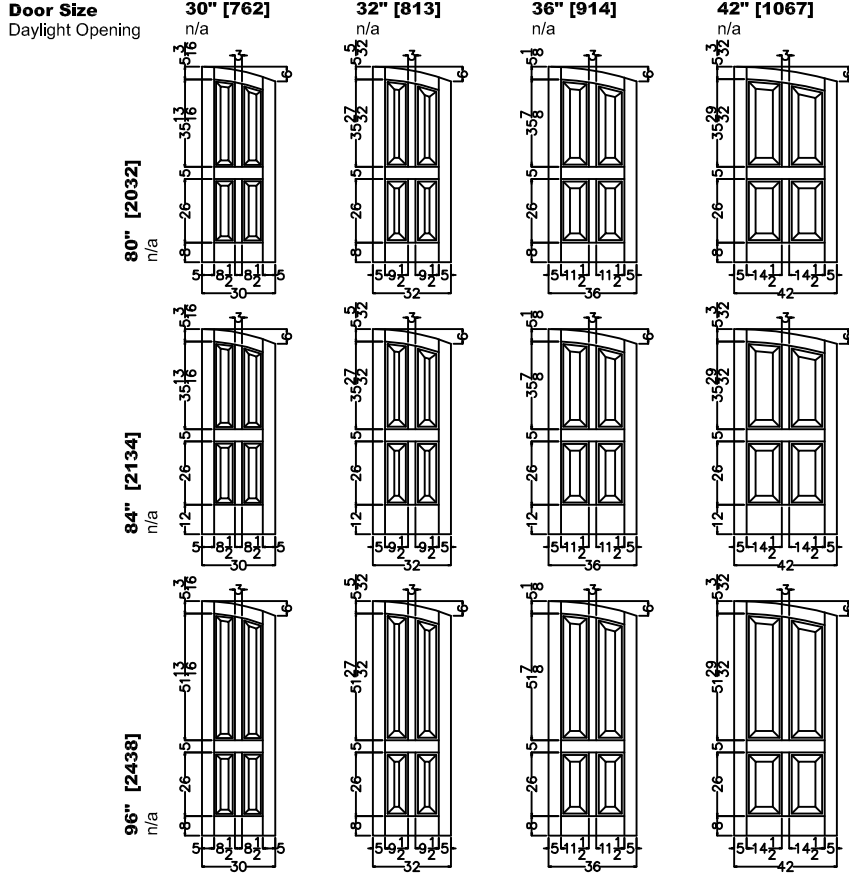
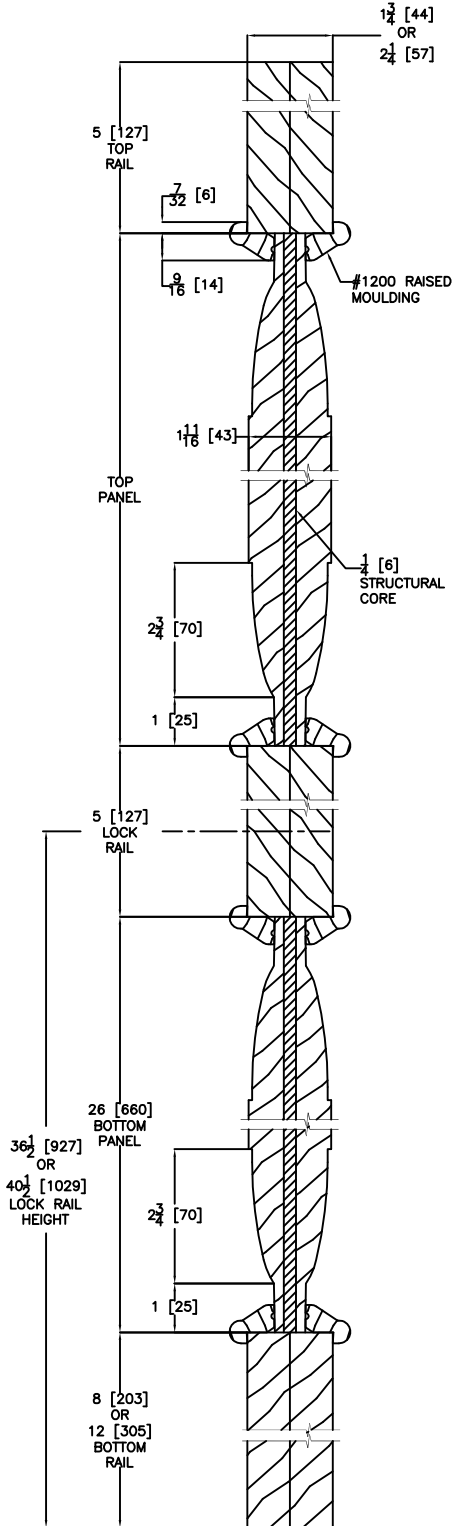


### ELEVATION NOTES

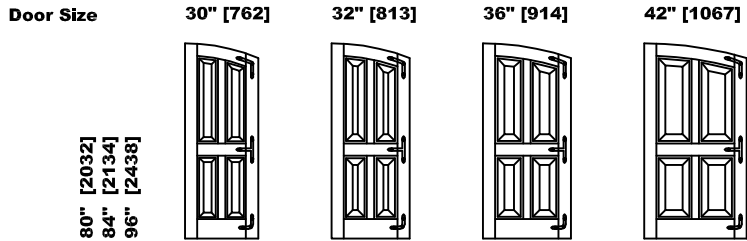
Door Size = Book Size Before Prefit  
 Daylight Opening (DLO) = Visible Glass  
 Values in brackets [ ] are millimeter conversions.

### DOOR CROSS-SECTION

Moulding Profile = 1200  
 Panel Profile = Convex Long / Convex Short (2-6)  
 See 1204 Cross Section sheet for more detail.



### STRAP PLACEMENT (Hardware Optional/Custom Placement Available)

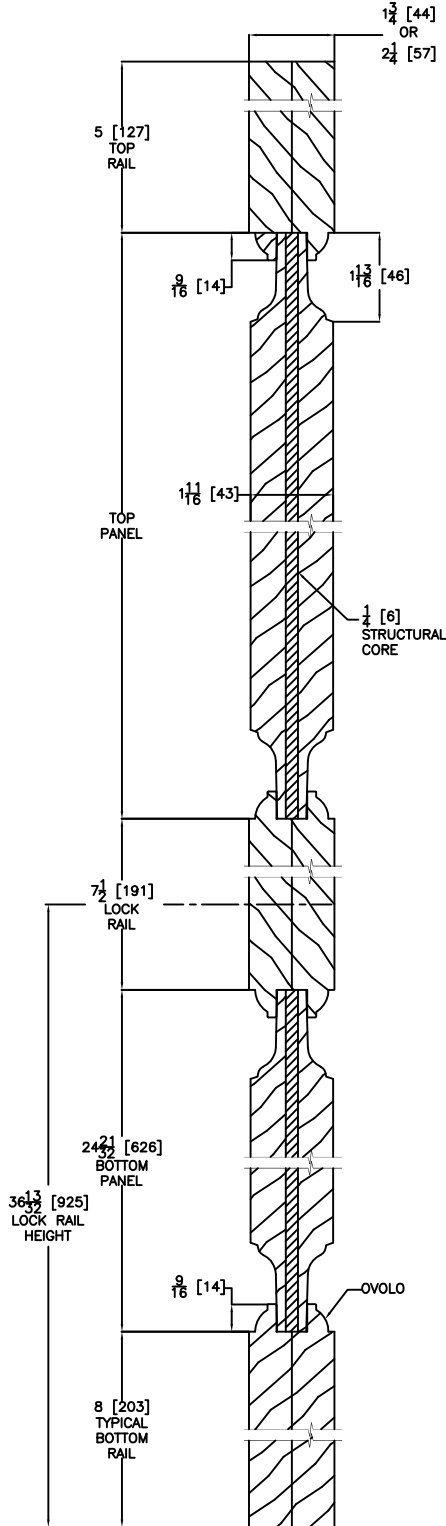


### ELEVATION NOTES

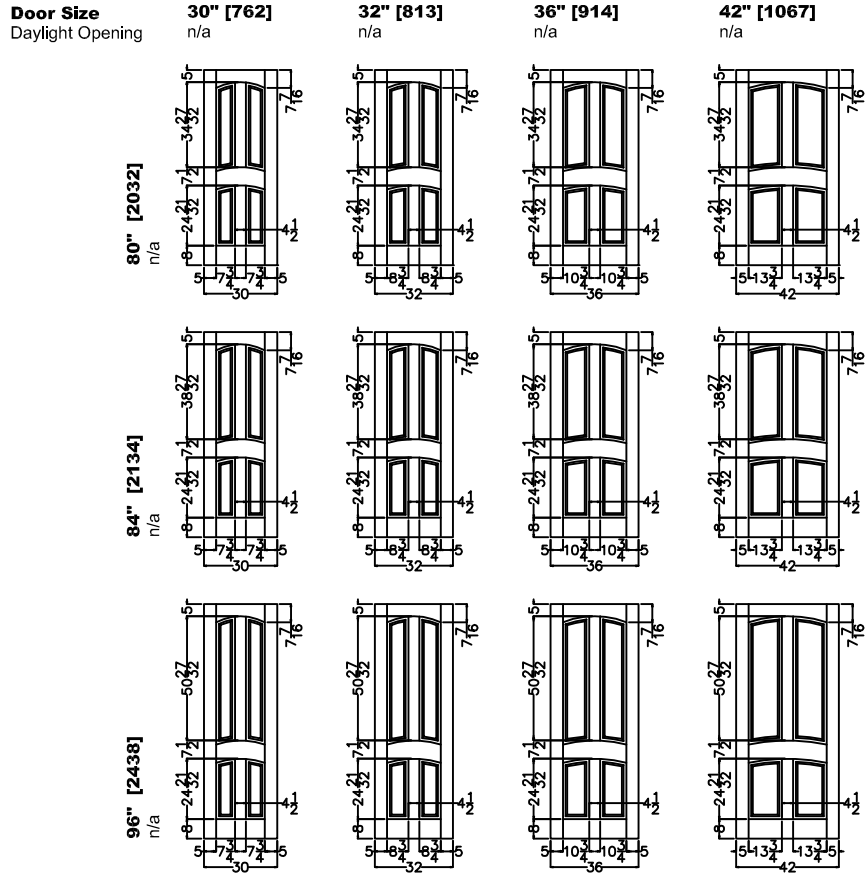
Door Size = Book Size Before Prefit  
 Daylight Opening (DLO) = Visible Glass  
 Values in brackets [ ] are millimeter conversions.

### DOOR CROSS-SECTION

Moulding Profile = Ovolo Sticking  
 Panel Profile = Double Hip  
 See 4030 Cross Section sheet for more detail.



VERTICAL DOOR CROSS SECTION

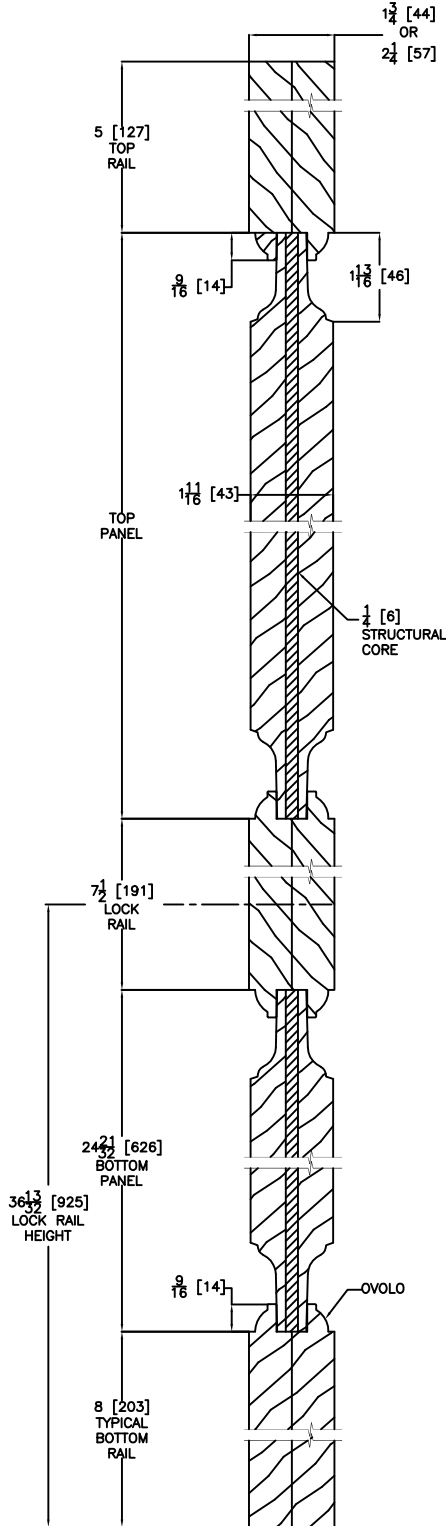


### ELEVATION NOTES

Door Size = Book Size Before Prefit  
 Daylight Opening (DLO) = Visible Glass  
 Values in brackets [ ] are millimeter conversions.

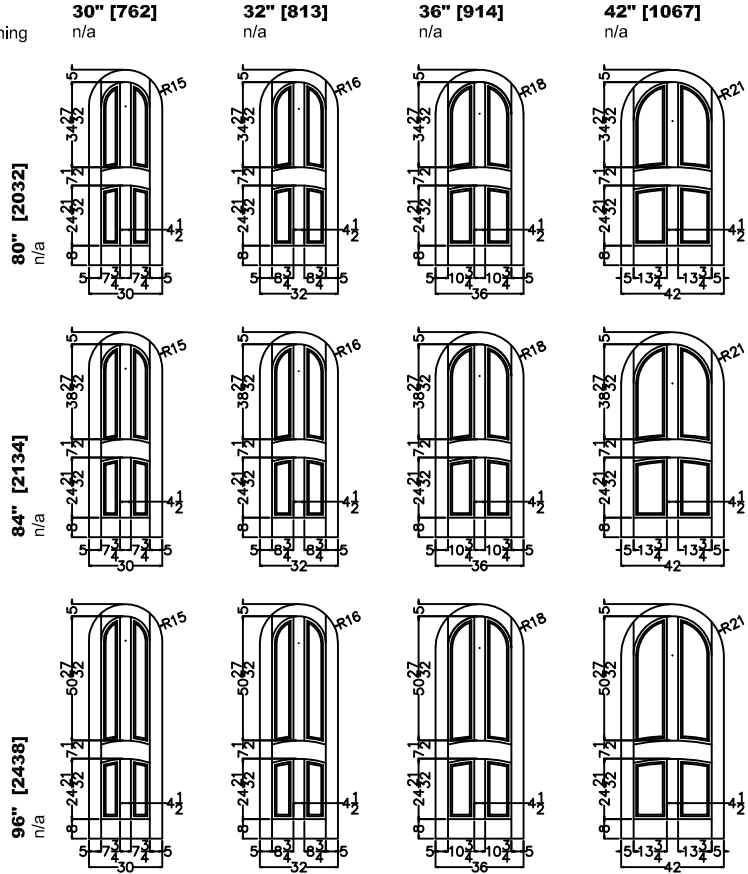
### DOOR CROSS-SECTION

Moulding Profile = Ovolo Sticking  
 Panel Profile = Double Hip  
 See 4030 Cross Section sheet for more detail.



### RADIUS

Door Size  
 Daylight Opening



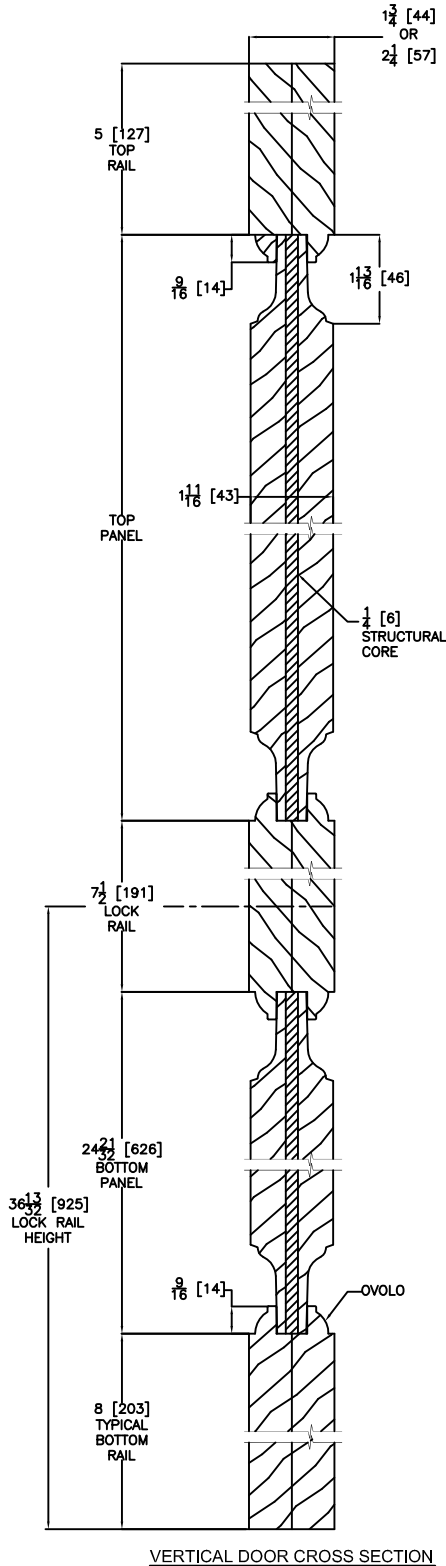
VERTICAL DOOR CROSS SECTION

### ELEVATION NOTES

Door Size = Book Size Before Prefit  
 Daylight Opening (DLO) = Visible Glass  
 Values in brackets [ ] are millimeter conversions.

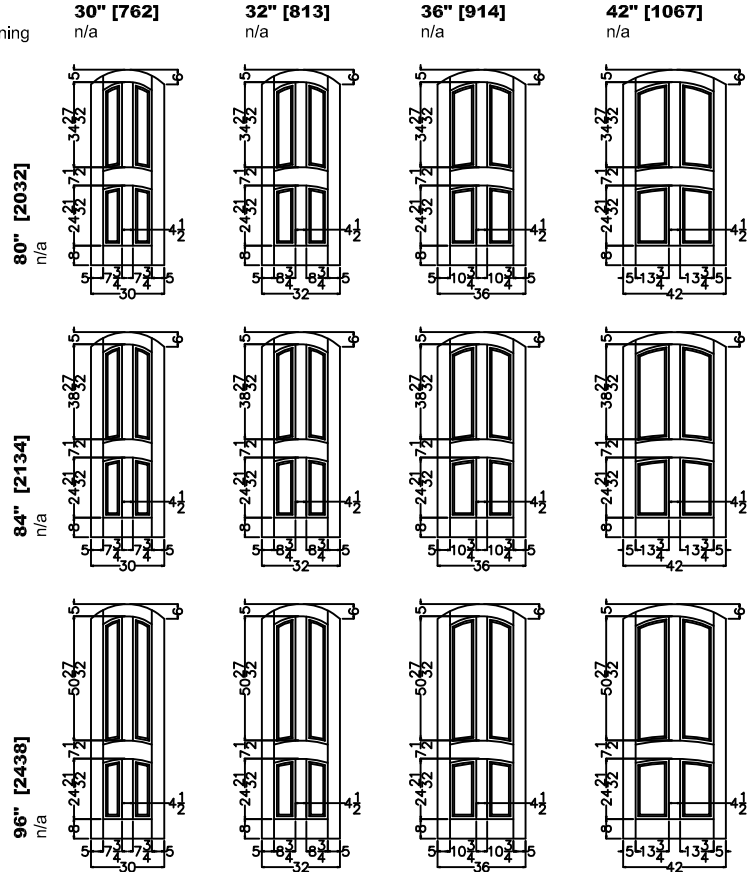
### DOOR CROSS-SECTION

Moulding Profile = Ovolo Sticking  
 Panel Profile = Double Hip  
 See 4030 Cross Section sheet for more detail.



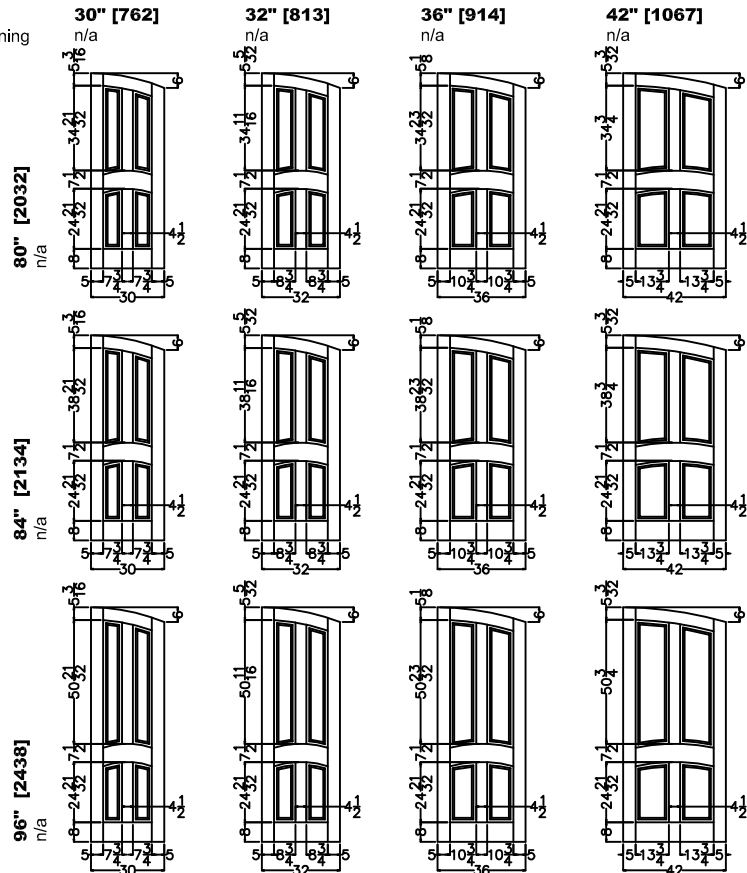
### SEGMENT

Door Size  
 Daylight Opening



### HALF SEGMENT

Door Size  
 Daylight Opening





DECORATIVE ACCENTS



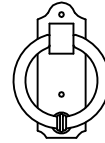
ROUND CLAVOS

Size Options: 1" diameter, 1.75" diameter  
Finish Options: Dark Patina, Rust Patina  
Material: Aluminum with Powder Coat Finish



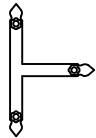
DIAMOND CLAVOS

Size Options: 1", 1.75"  
Finish Options: Dark Patina, Rust Patina  
Material: Aluminum with Powder Coat Finish



COLONIAL DOOR KNOCKER

Base: 2" Wide x 5 5/8" Tall, Handle: 4" Wide  
Finish Options: Dark Patina, Rust Patina  
Material: Iron



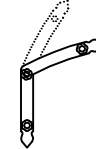
RAIL STRAP

Finish Options: Dark Patina, Rust Patina  
Material: Aluminum with Powder Coat Finish



CORNER STRAP

Finish Options: Dark Patina, Rust Patina  
Material: Aluminum with Powder Coat Finish

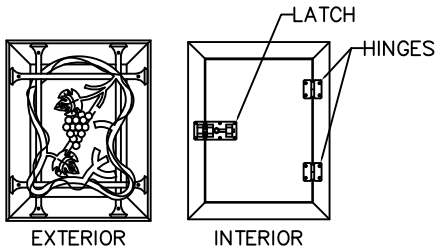


RADIUS STRAP

Finish Options: Dark Patina, Rust Patina  
Material: Aluminum with Powder Coat Finish  
Adjustable for Segment/Radius Shapes

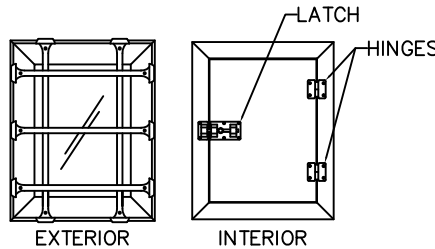
SPEAKEASY/DOOR LIGHT

Glass Options: Clear IG, Clear SG, Bevel IG, Bevel SG, Glue Chip IG,  
Low E IG, Rain IG, Reed IG, Frosted IG, Open for Glass  
Handing: Will be Handed to Match the Door unless Otherwise Specified  
Frame Size: 11 3/4" x 14 3/4", Daylight Opening: 8" x 11", Actual Glass Size: 8 7/8" x 11 7/8"



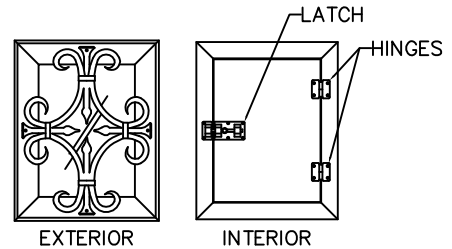
SPEAKEASY, BORDEAUX GRILLE

Hardware Finish Options: Dark Patina, Rust Patina  
Material: Wood Frame / Iron Hardware



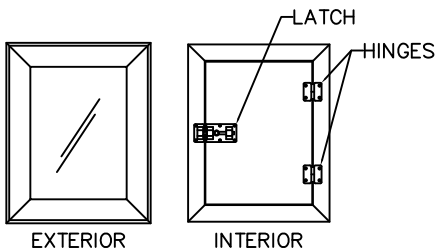
SPEAKEASY, RUSTIC GRILLE

Hardware Finish Options: Dark Patina, Rust Patina  
Material: Wood Frame / Iron Hardware



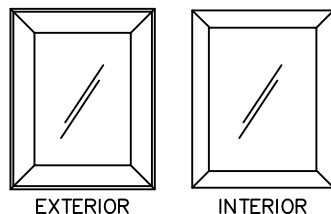
SPEAKEASY, SEVILLE GRILLE

Hardware Finish Options: Dark Patina, Rust Patina  
Material: Wood Frame / Iron Hardware



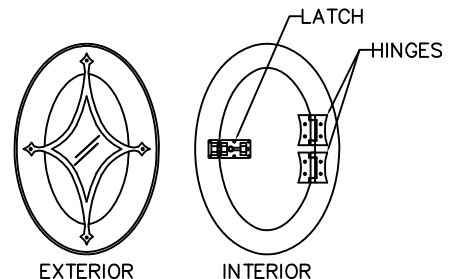
SPEAKEASY (NO GRILLE)

Hardware Finish Options: Dark Patina, Rust Patina  
Material: Wood Frame / Iron Hardware



RECTANGLE DOOR LIGHT

Hardware Finish Options: n/a  
Material: Wood Frame  
Available with All Speakeasy Grilles



OVAL SPEAKEASY, VICTORIAN GRILLE

Hardware Finish Options: Dark Patina, Rust Patina  
Material: Wood Frame / Iron Hardware  
Frame Size: 12" x 17 1/2"



**#20 CASING**  
2 1/4" X 1 1/8"



**#20 w/ STUCCO KEY**  
2 1/4" X 1 1/8"



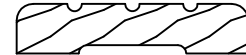
**#22 CASING**  
2" X 1 1/8"



**#13 CASING**  
3 1/2" X 3/4"



**#14 CASING**  
2 1/4" X 3/4"



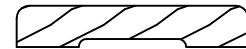
**#15 CASING**  
3 1/2" X 3/4"



**#16 CASING**  
2 1/4" X 3/4"



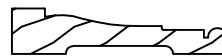
**#17 CASING**  
4 1/2" X 1 3/16"



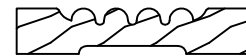
**#21 CASING**  
3 1/2" X 5/8"



**#23 CASING**  
3 1/2" X 1 1/8"



**#24 CASING**  
3 1/4" X 11/16"



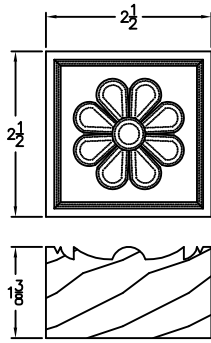
**#25 CASING**  
3 1/2" X 11/16"

**Notes:**

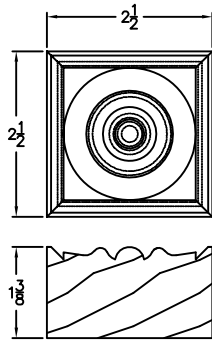
Shown here are standard trim options.

Special size casing or custom profile casing may be available upon request.

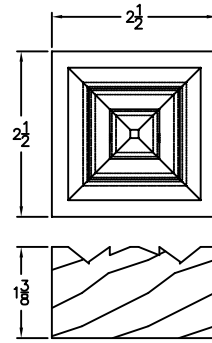
EXTERIOR CORNER BLOCK



"A" BLOCK  
2 1/2" X 2 1/2"

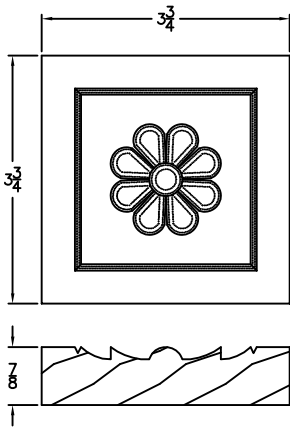


"B" BLOCK  
2 1/2" X 2 1/2"

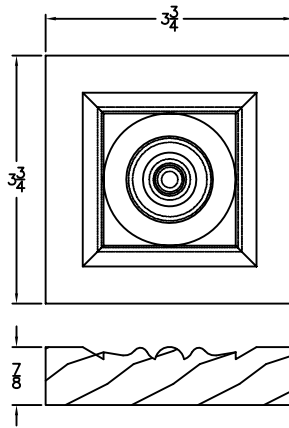


"C" BLOCK  
2 1/2" X 2 1/2"

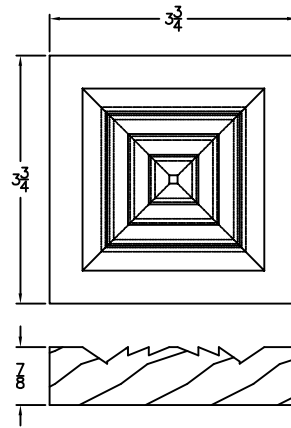
INTERIOR CORNER BLOCK



"A" BLOCK  
3 3/4" X 3 3/4"



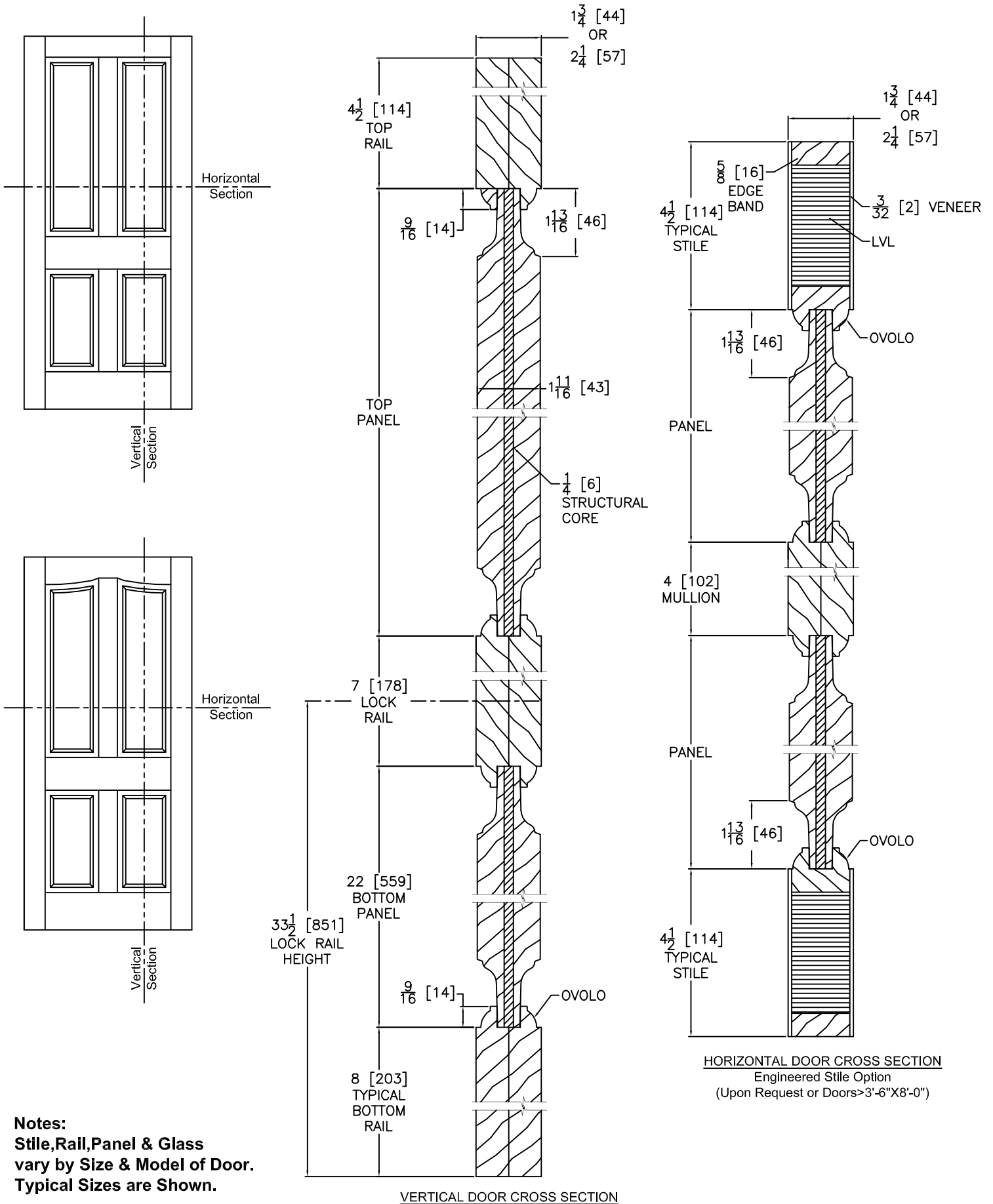
"B" BLOCK  
3 3/4" X 3 3/4"



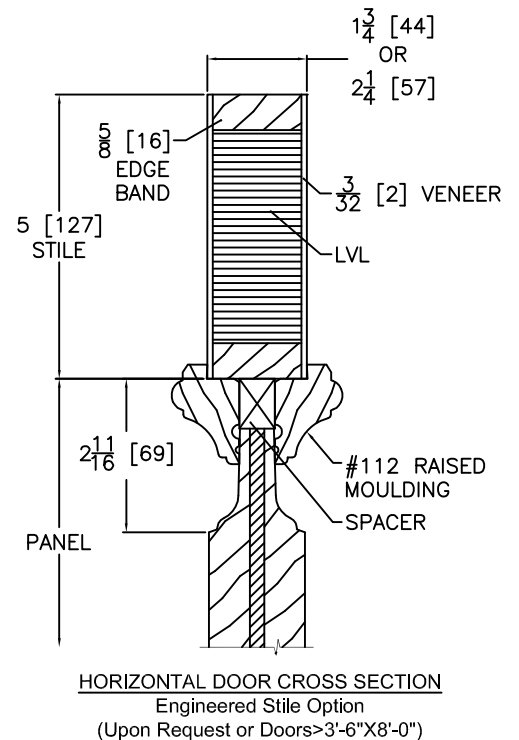
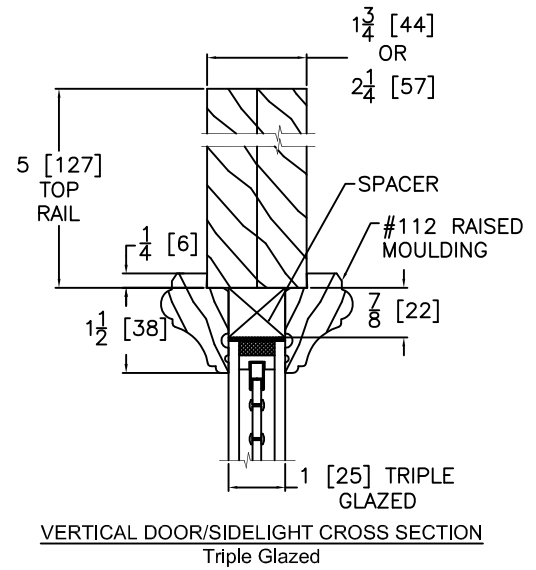
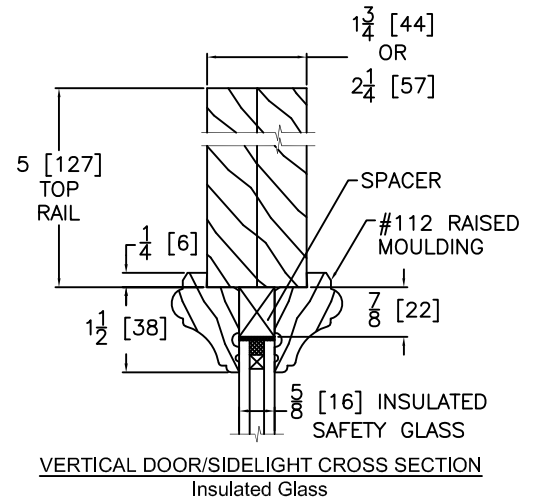
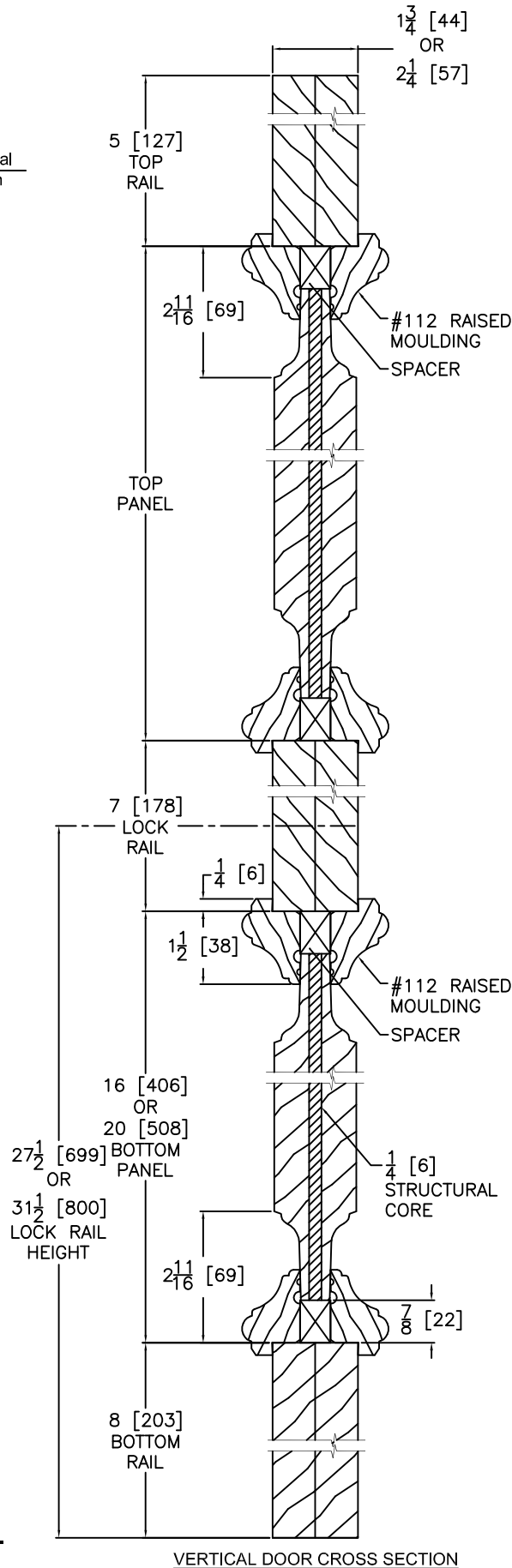
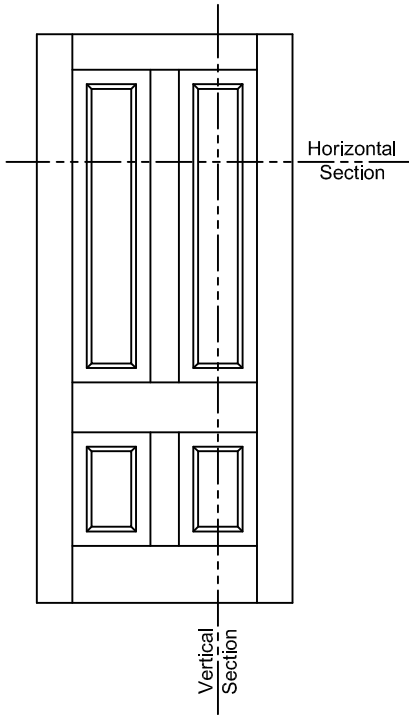
"C" BLOCK  
3 3/4" X 3 3/4"

**Notes:**

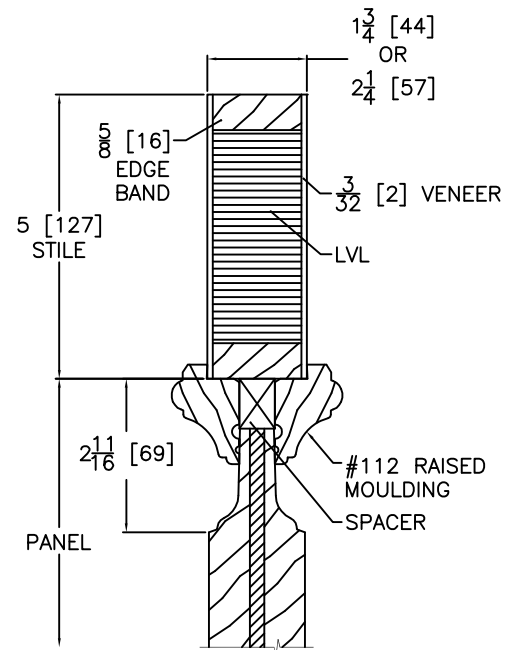
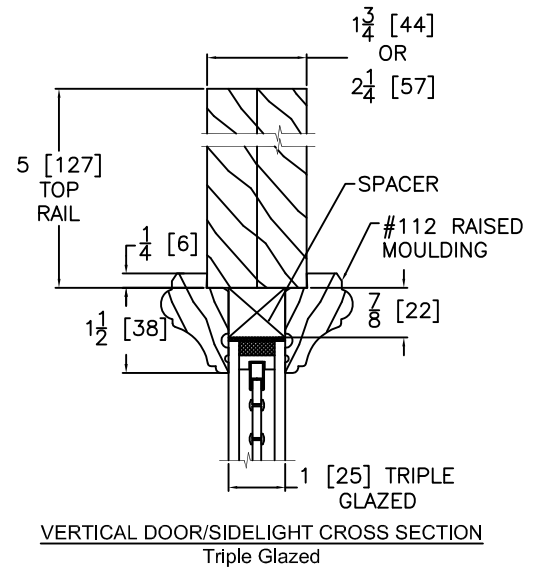
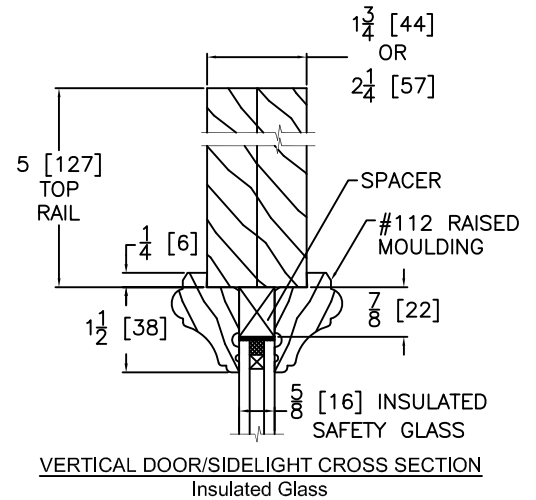
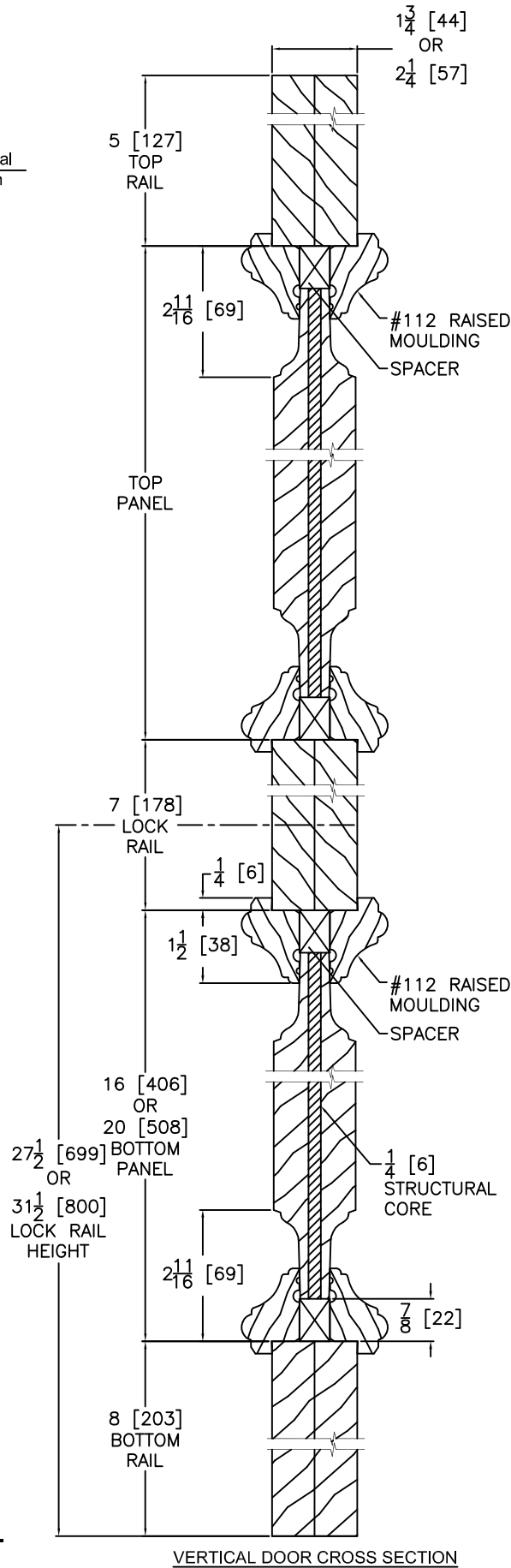
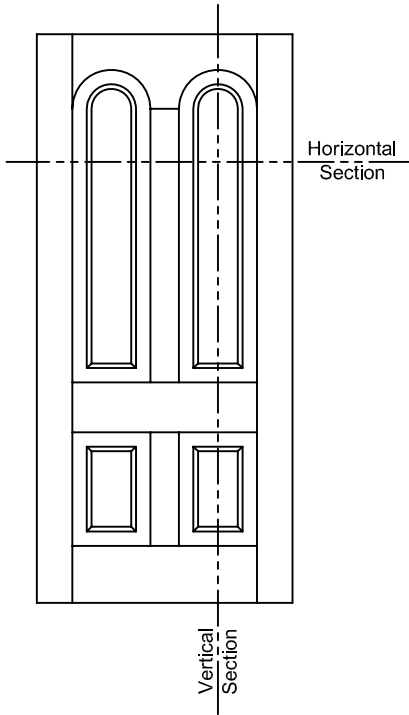
Interior corner block may be used for exterior application and vice versa.



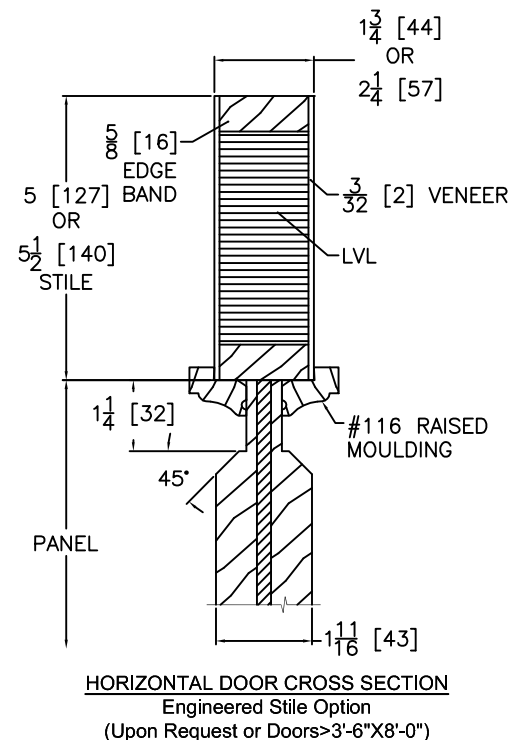
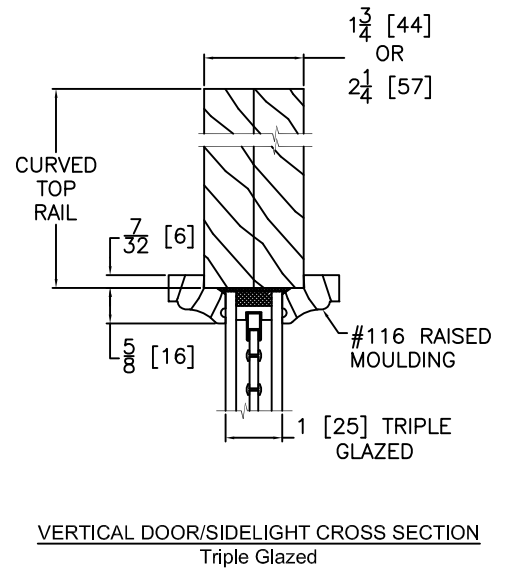
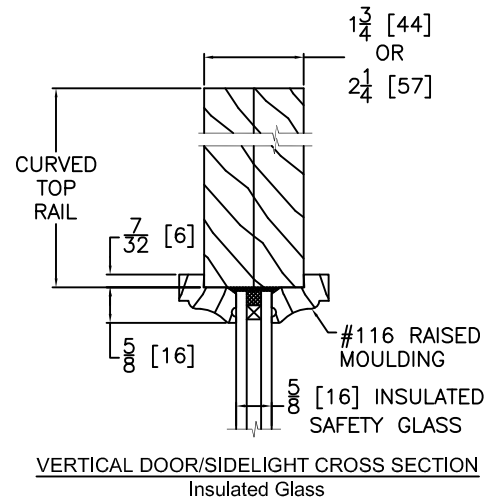
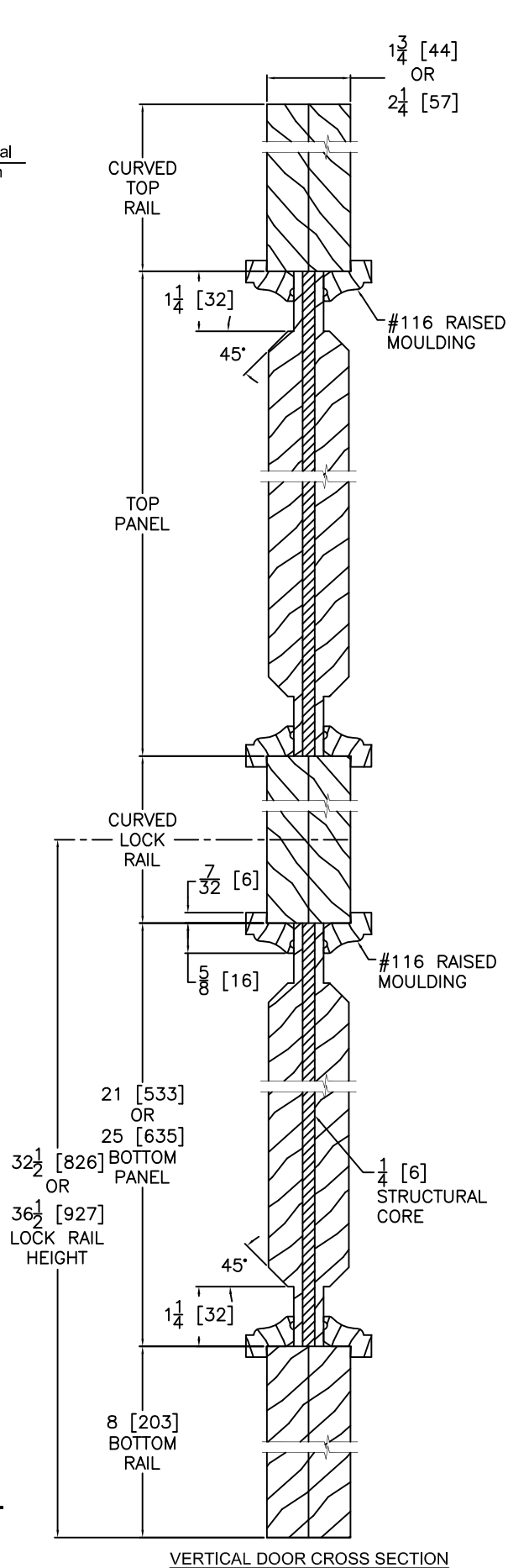
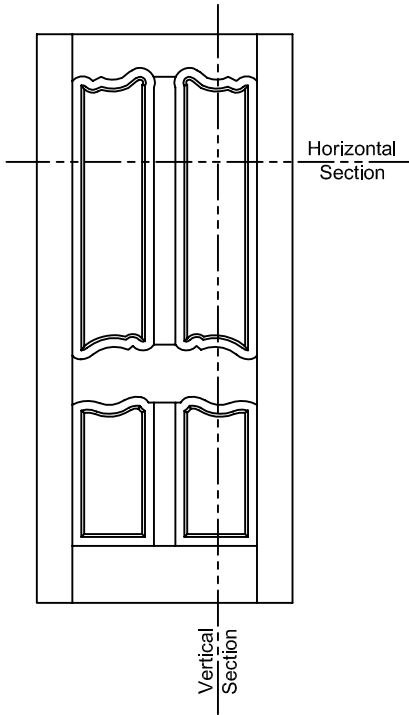
**Notes:**  
Stile, Rail, Panel & Glass  
vary by Size & Model of Door.  
Typical Sizes are Shown.



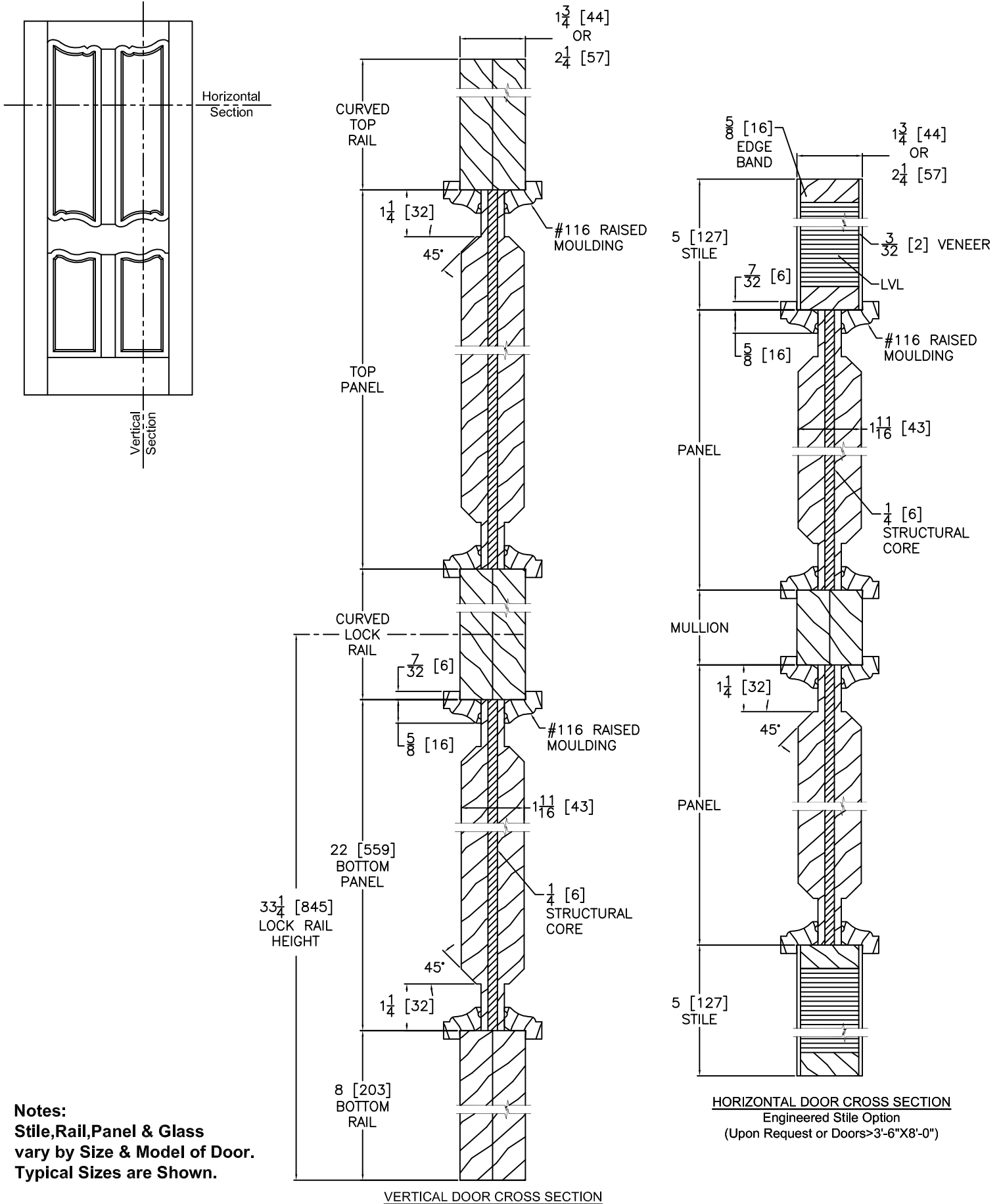
**Notes:**  
Stile, Rail, Panel & Glass  
vary by Size & Model of Door.  
Typical Sizes are Shown.



**Notes:**  
Stile, Rail, Panel & Glass  
vary by Size & Model of Door.  
Typical Sizes are Shown.

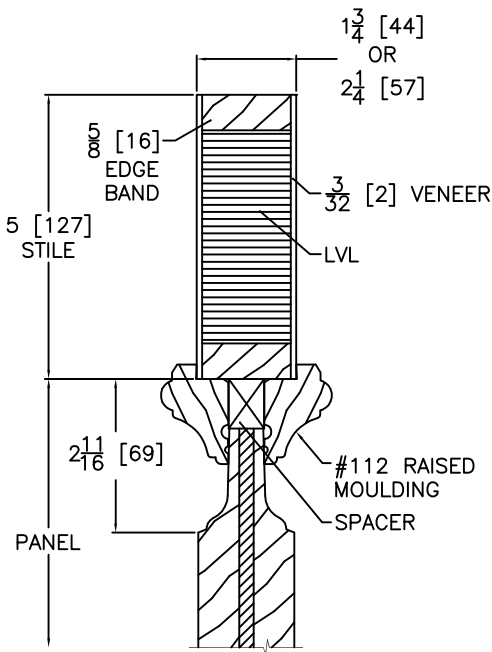
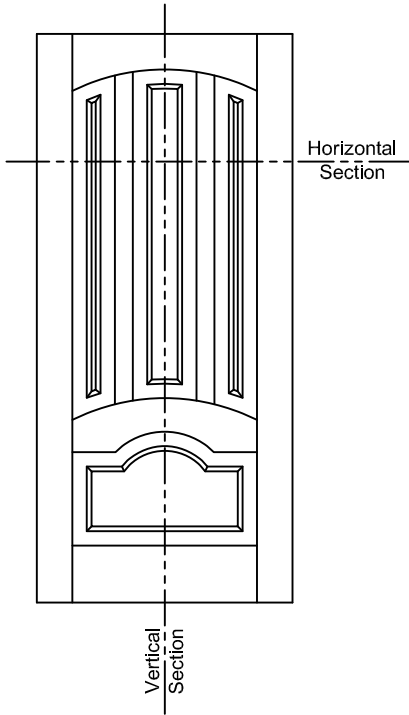


**Notes:**  
Stile, Rail, Panel & Glass  
vary by Size & Model of Door.  
Typical Sizes are Shown.



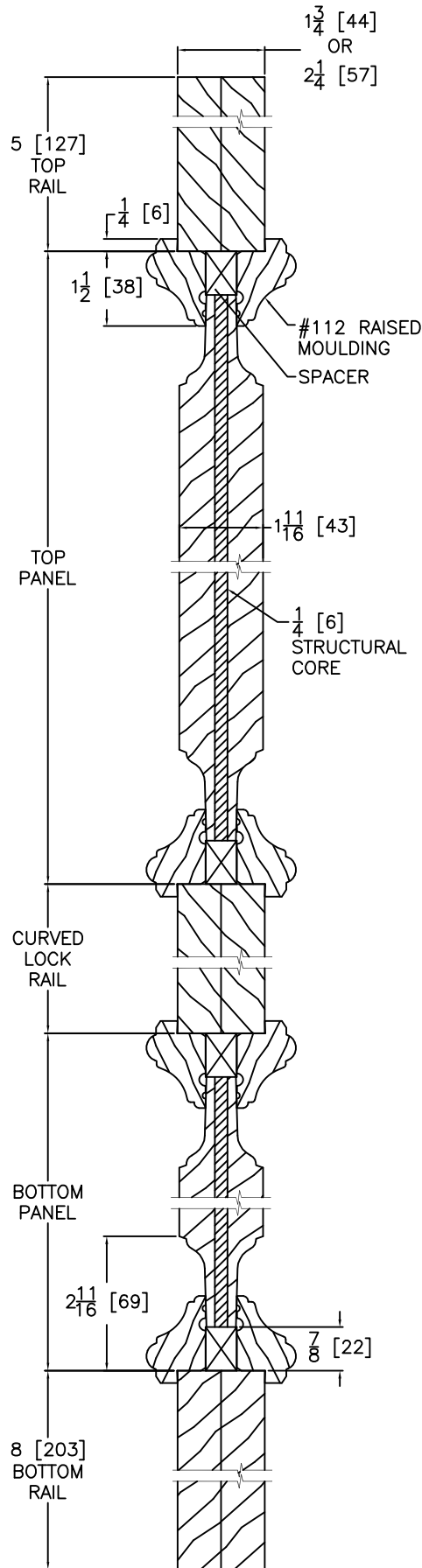
**Notes:**  
Stile, Rail, Panel & Glass  
vary by Size & Model of Door.  
Typical Sizes are Shown.



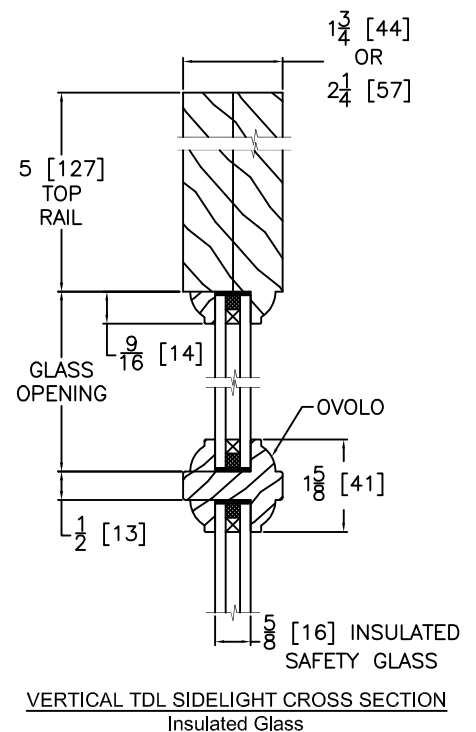
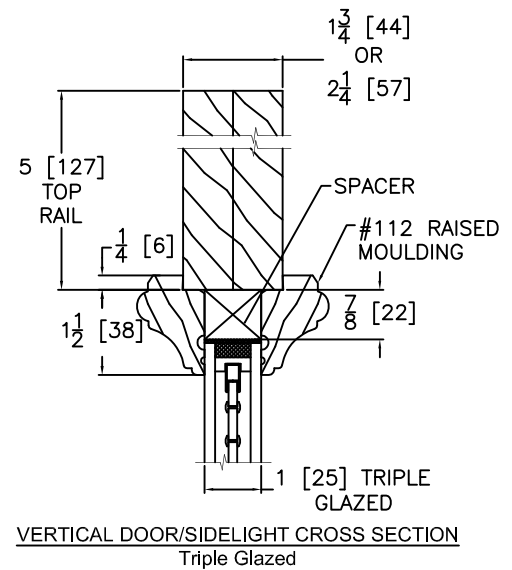
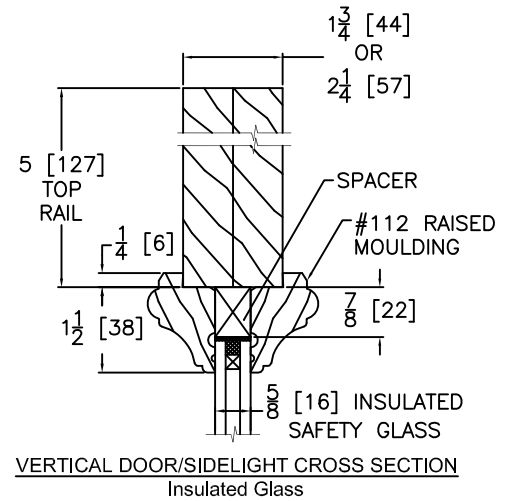


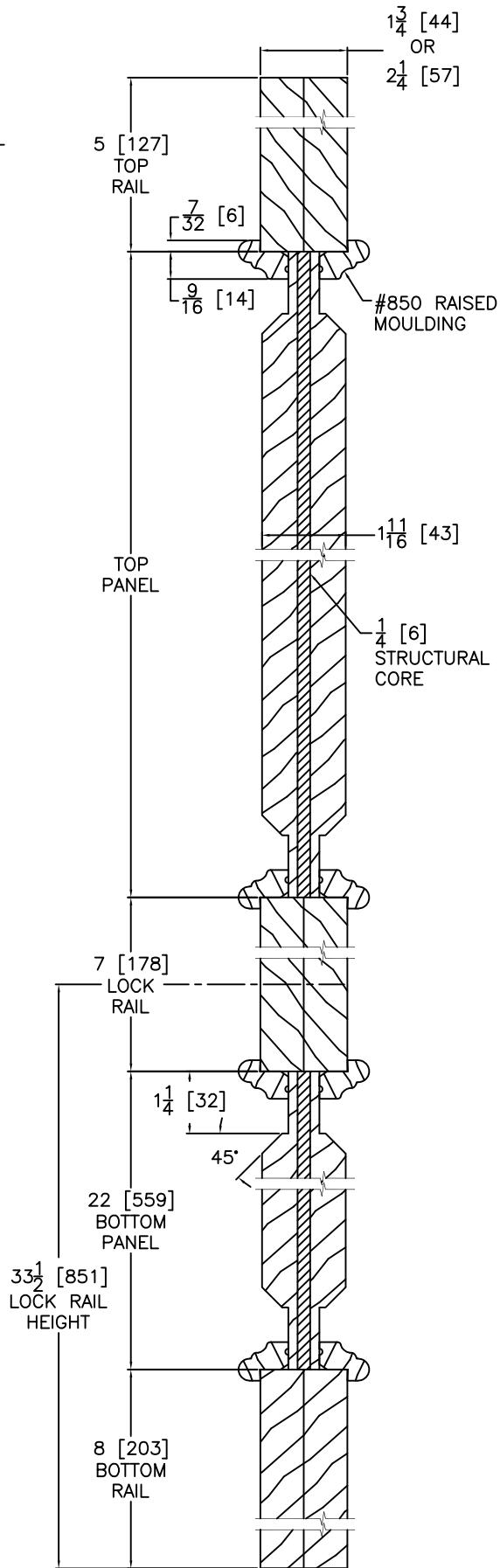
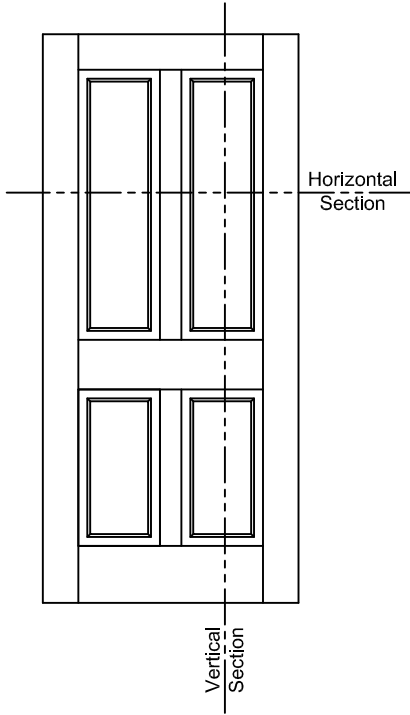
**HORIZONTAL DOOR CROSS SECTION**  
Engineered Stile Option  
(Upon Request or Doors > 3'-6" X 8'-0")

**Notes:**  
Stile, Rail, Panel & Glass  
vary by Size & Model of Door.  
Typical Sizes are Shown.

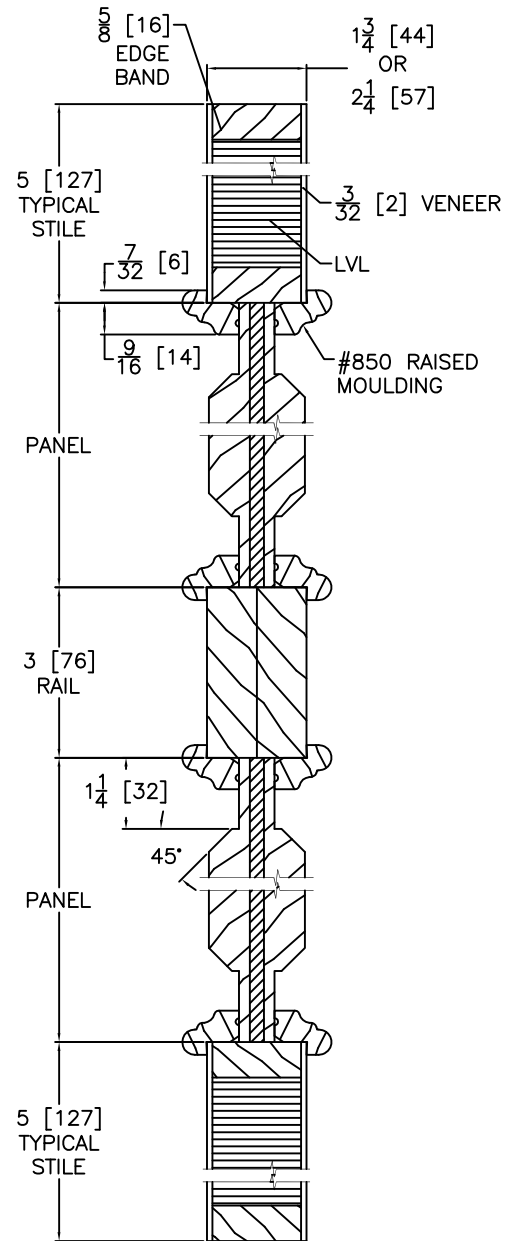


**VERTICAL DOOR CROSS SECTION**



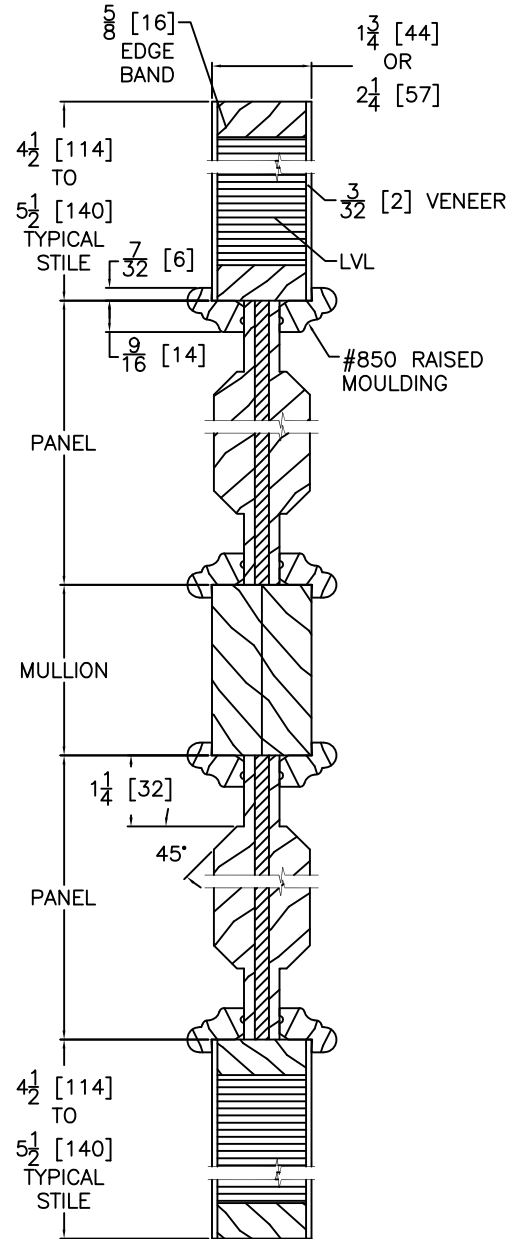
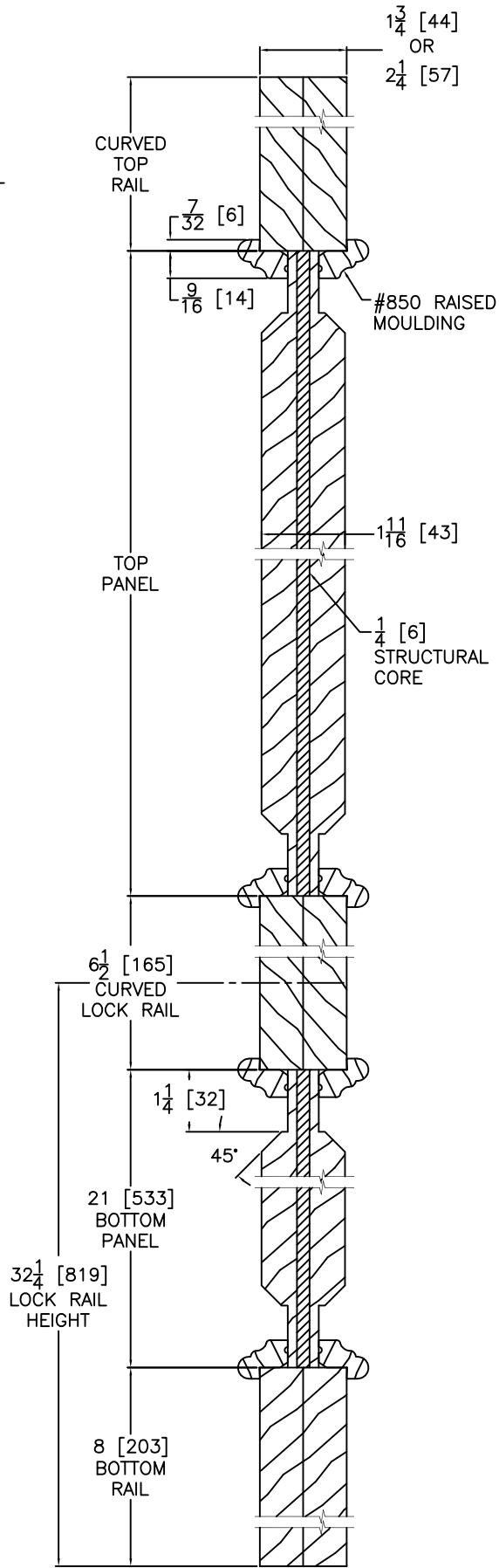
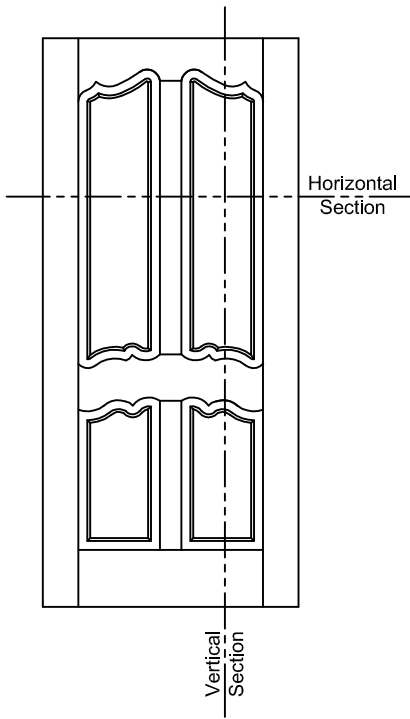


VERTICAL DOOR CROSS SECTION



HORIZONTAL DOOR CROSS SECTION  
Engineered Stile Option  
(Upon Request or Doors > 3'-6" X 8'-0")

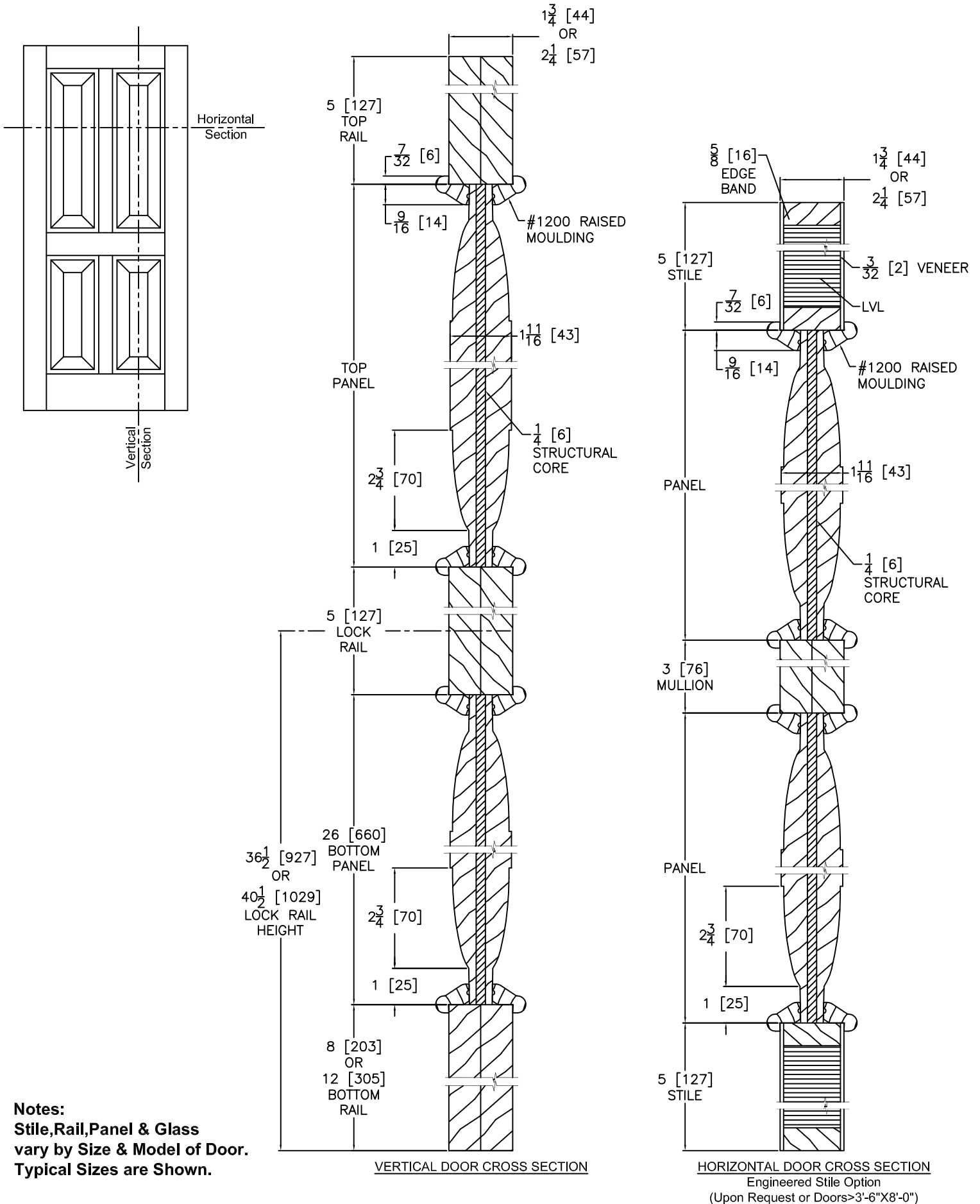
**Notes:**  
Stile, Rail, Panel & Glass  
vary by Size & Model of Door.  
Typical Sizes are Shown.



HORIZONTAL DOOR CROSS SECTION  
Engineered Stile Option  
(Upon Request or Doors > 3'-6" X 8'-0")

**Notes:**  
Stile, Rail, Panel & Glass  
vary by Size & Model of Door.  
Typical Sizes are Shown.

VERTICAL DOOR CROSS SECTION



$1\frac{3}{4}$  [44]  
OR  
 $2\frac{1}{4}$  [57]

5 [127]  
TOP  
RAIL

$\frac{7}{32}$  [6]  
 $\frac{9}{16}$  [14]

#1200 RAISED  
MOULDING

TOP  
PANEL

$1\frac{11}{16}$  [43]

$\frac{1}{4}$  [6]  
STRUCTURAL  
CORE

$2\frac{3}{4}$  [70]

1 [25]

5 [127]  
LOCK  
RAIL

$36\frac{1}{2}$  [927]  
OR  
 $40\frac{1}{2}$  [1029]  
LOCK RAIL  
HEIGHT

26 [660]  
BOTTOM  
PANEL

$2\frac{3}{4}$  [70]

1 [25]

8 [203]  
OR  
12 [305]  
BOTTOM  
RAIL

$\frac{5}{8}$  [16]  
EDGE  
BAND

$1\frac{3}{4}$  [44]  
OR  
 $2\frac{1}{4}$  [57]

5 [127]  
STILE

$\frac{7}{32}$  [6]  
 $\frac{9}{16}$  [14]

$\frac{3}{32}$  [2] VENEER  
LVL

#1200 RAISED  
MOULDING

PANEL

$1\frac{11}{16}$  [43]

$\frac{1}{4}$  [6]  
STRUCTURAL  
CORE

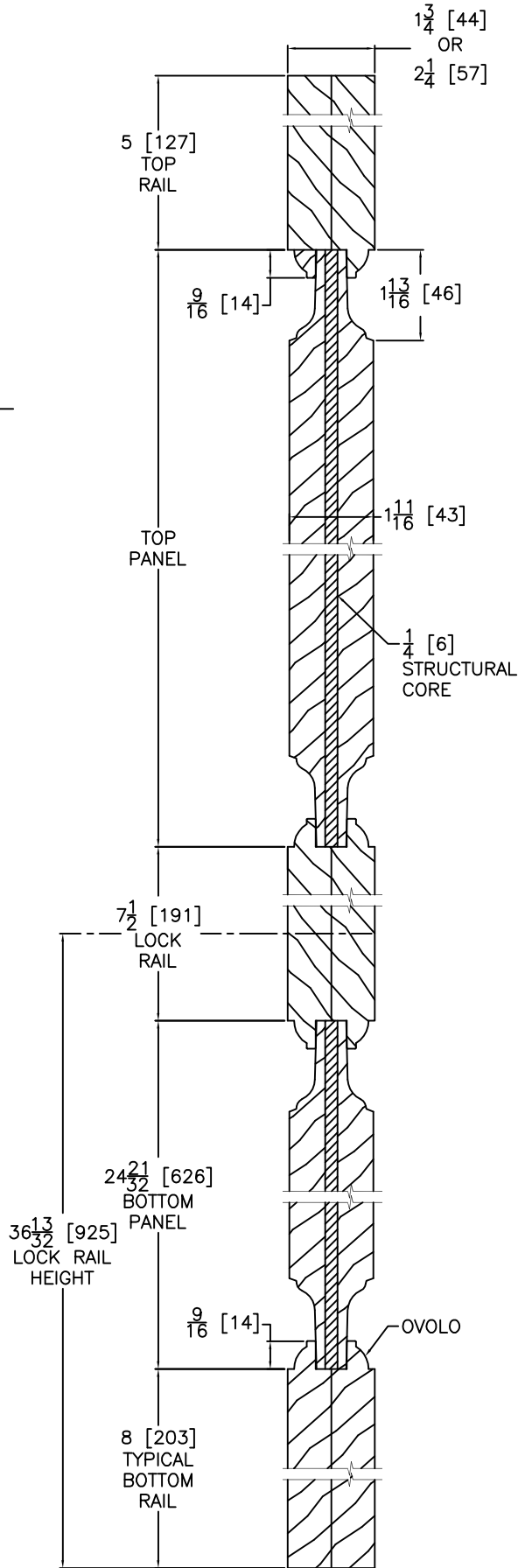
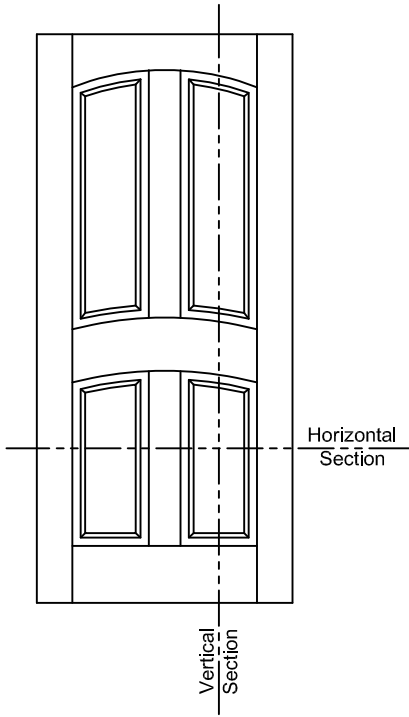
3 [76]  
MULLION

PANEL

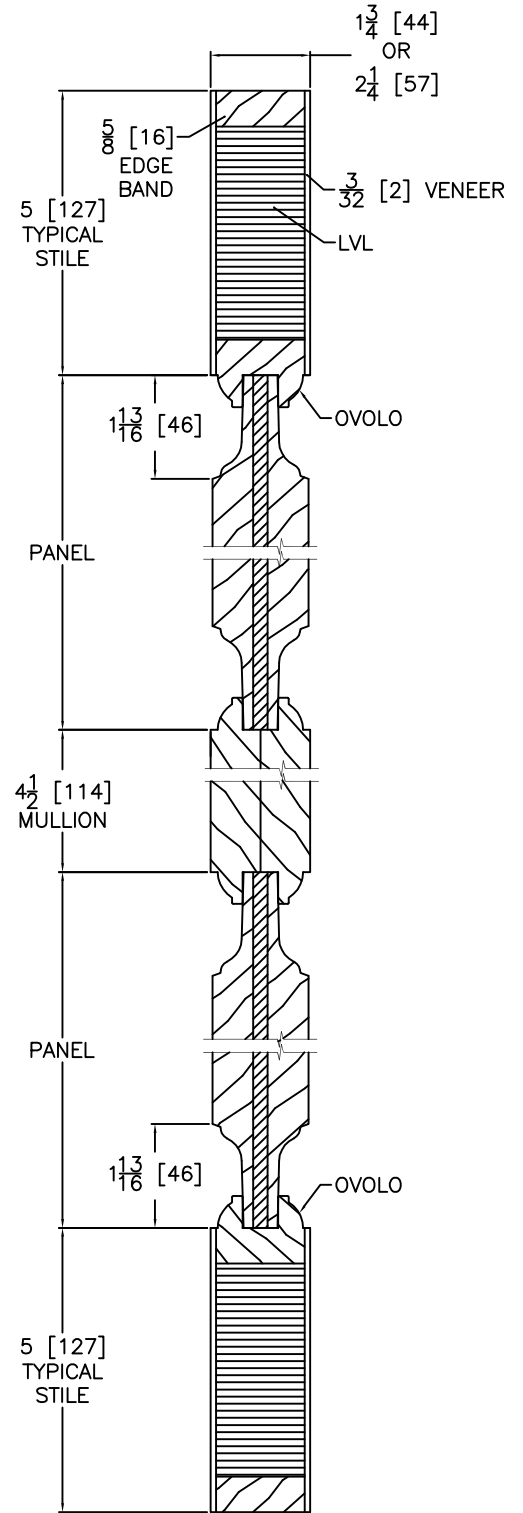
$2\frac{3}{4}$  [70]

1 [25]

5 [127]  
STILE



VERTICAL DOOR CROSS SECTION



HORIZONTAL DOOR CROSS SECTION  
Engineered Stile Option  
(Upon Request or Doors > 3'-6" X 8'-0")

**Notes:**  
Stile, Rail, Panel & Glass  
vary by Size & Model of Door.  
Typical Sizes are Shown.