

TABLE OF CONTENTS

5 PANEL DOORS

Elevations: 1/8" Scale

55

250

432

435

750

Decorative Hardware

Exterior Casing Options

Exterior/Interior Corner Block Options

Section Details

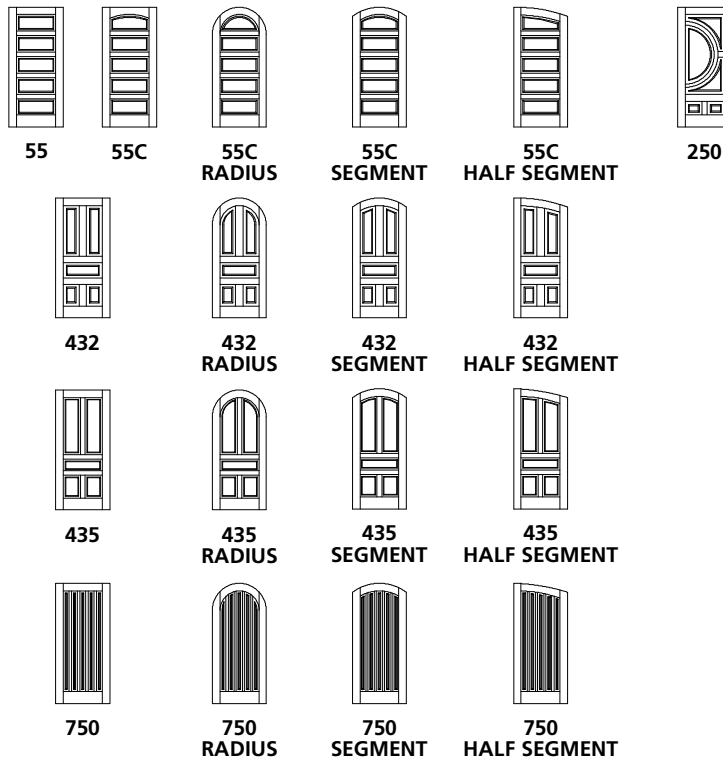
55

250

432

435

750

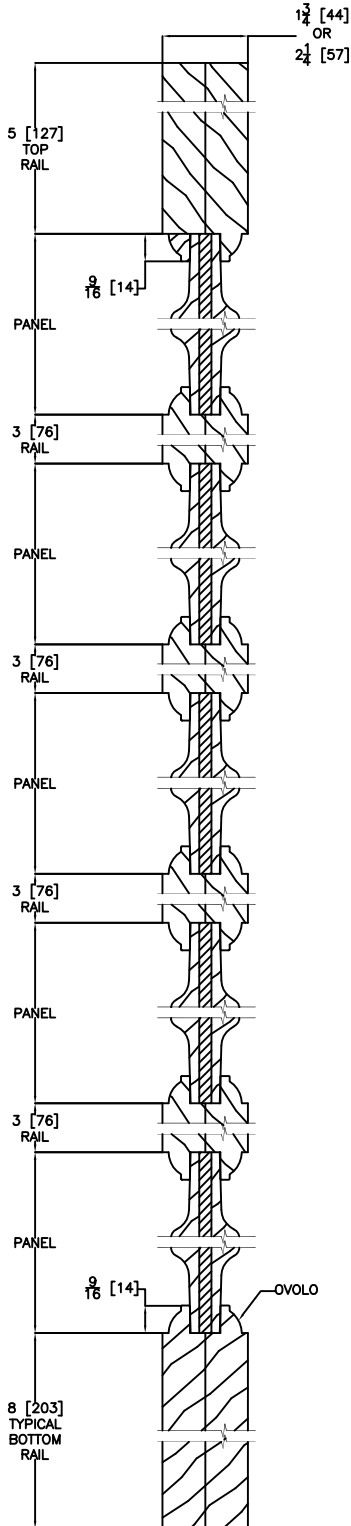


ELEVATION NOTES

Door Size = Book Size Before Prefit
 Daylight Opening (DLO) = Visible Glass
 Values in brackets [] are millimeter conversions.

DOOR CROSS-SECTION

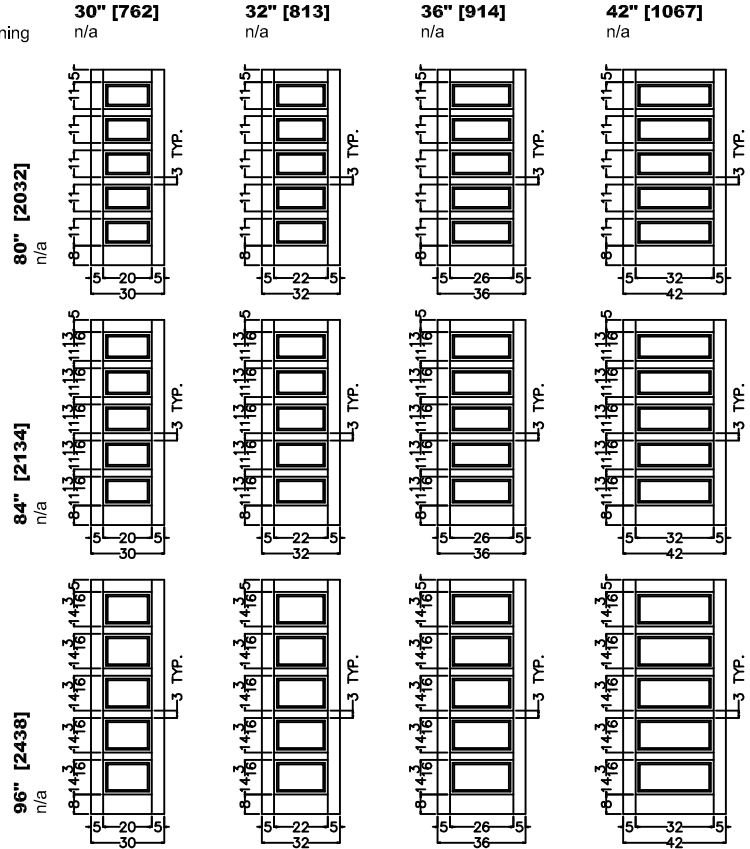
Moulding Profile = Ovolo Sticking
 Panel Profile = Double Hip
 See 55,55C Cross Section sheet for more detail.



VERTICAL DOOR CROSS SECTION

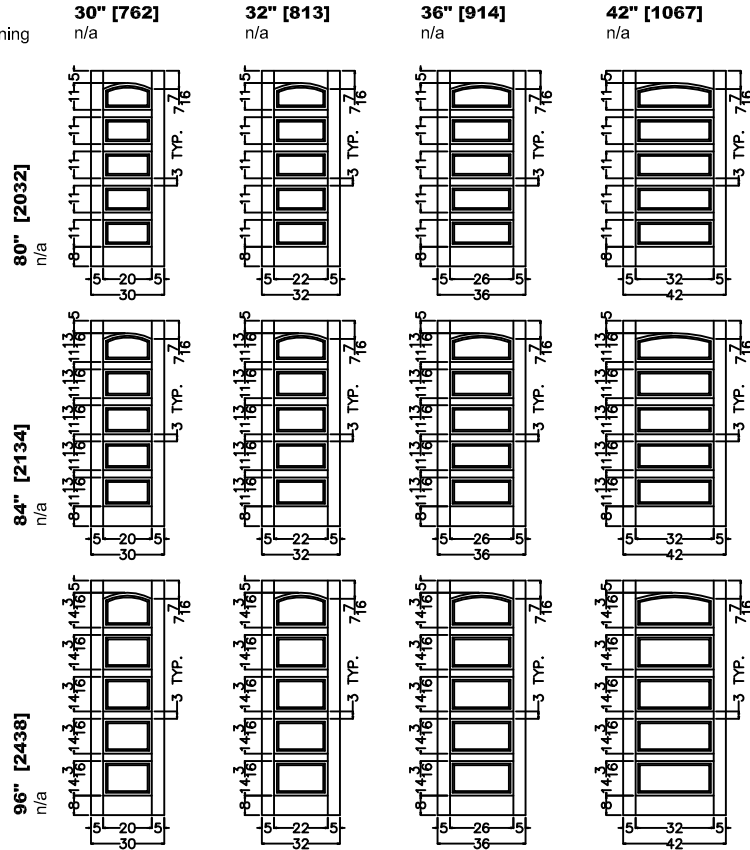
55

Door Size
 Daylight Opening



55C

Door Size
 Daylight Opening

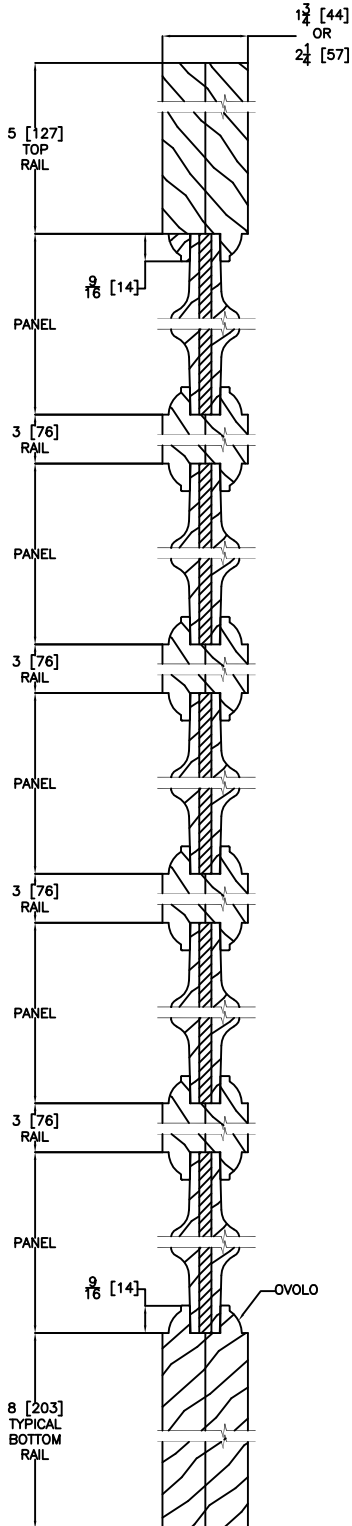


ELEVATION NOTES

Door Size = Book Size Before Prefit
 Daylight Opening (DLO) = Visible Glass
 Values in brackets [] are millimeter conversions.

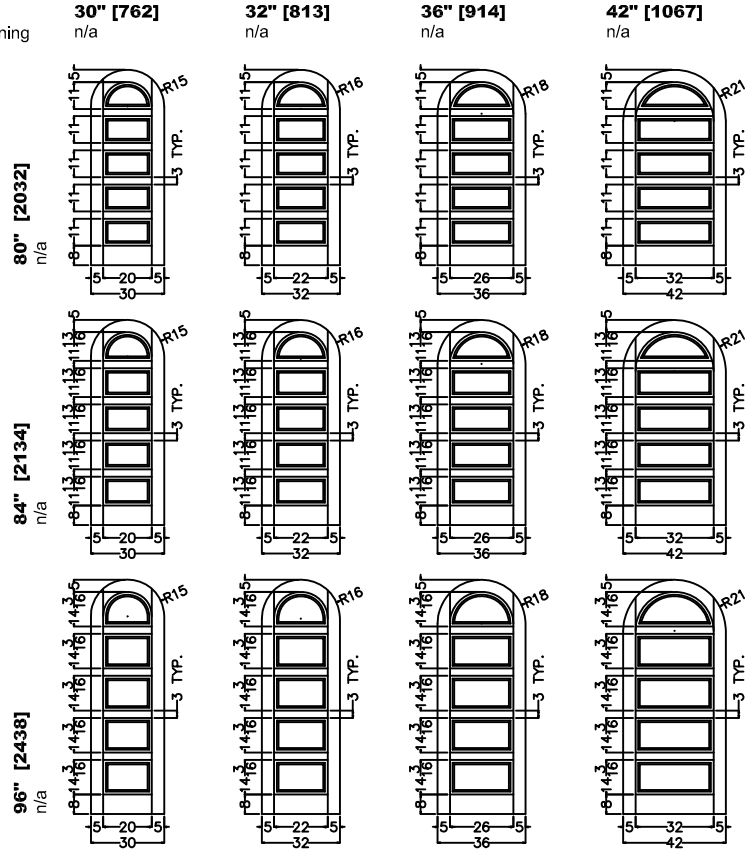
DOOR CROSS-SECTION

Moulding Profile = Ovolo Sticking
 Panel Profile = Double Hip
 See 55,55C Cross Section sheet for more detail.



RADIUS

Door Size
 Daylight Opening



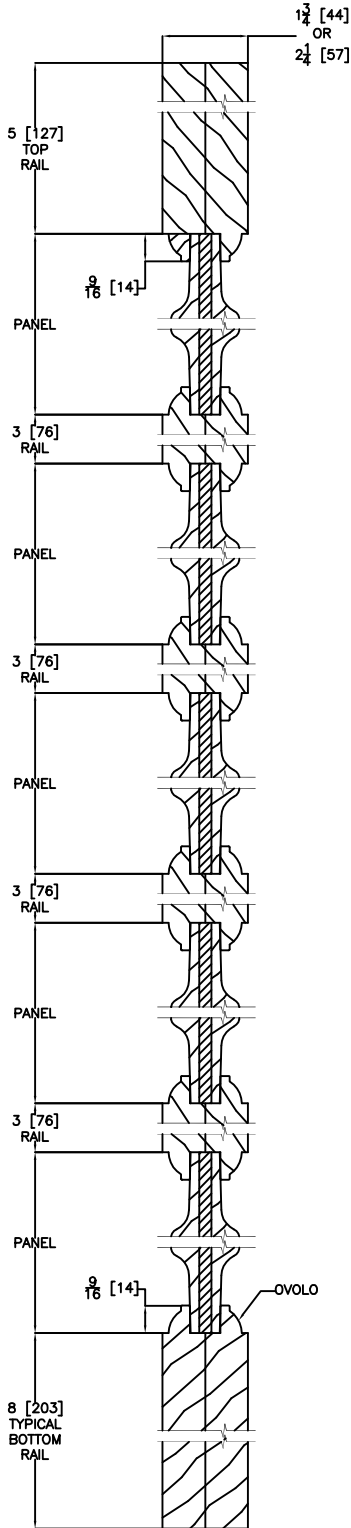
VERTICAL DOOR CROSS SECTION

ELEVATION NOTES

Door Size = Book Size Before Prefit
 Daylight Opening (DLO) = Visible Glass
 Values in brackets [] are millimeter conversions.

DOOR CROSS-SECTION

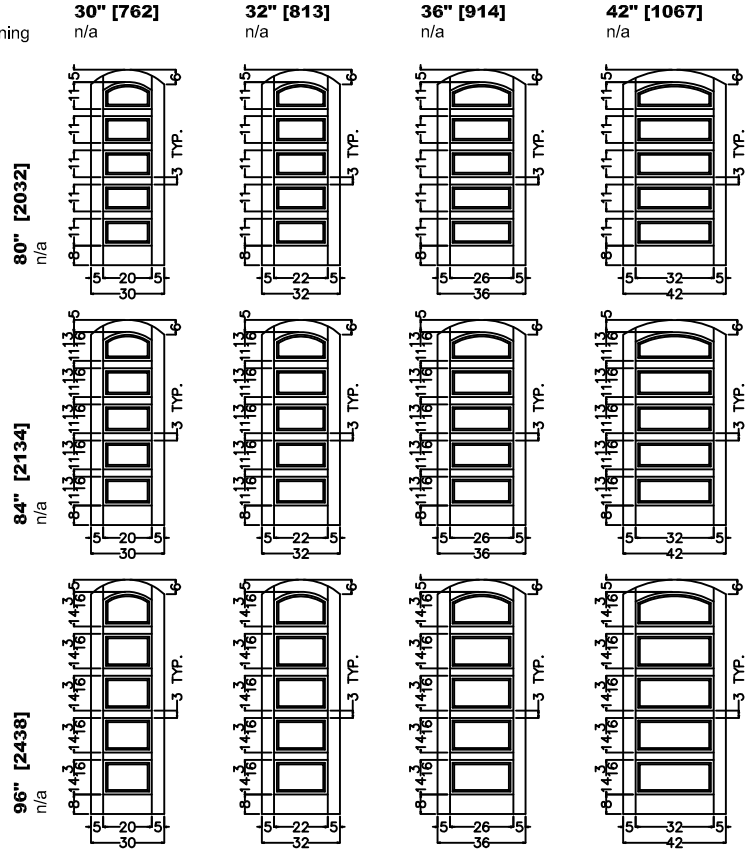
Moulding Profile = Ovolo Sticking
 Panel Profile = Double Hip
 See 55,55C Cross Section sheet for more detail.



VERTICAL DOOR CROSS SECTION

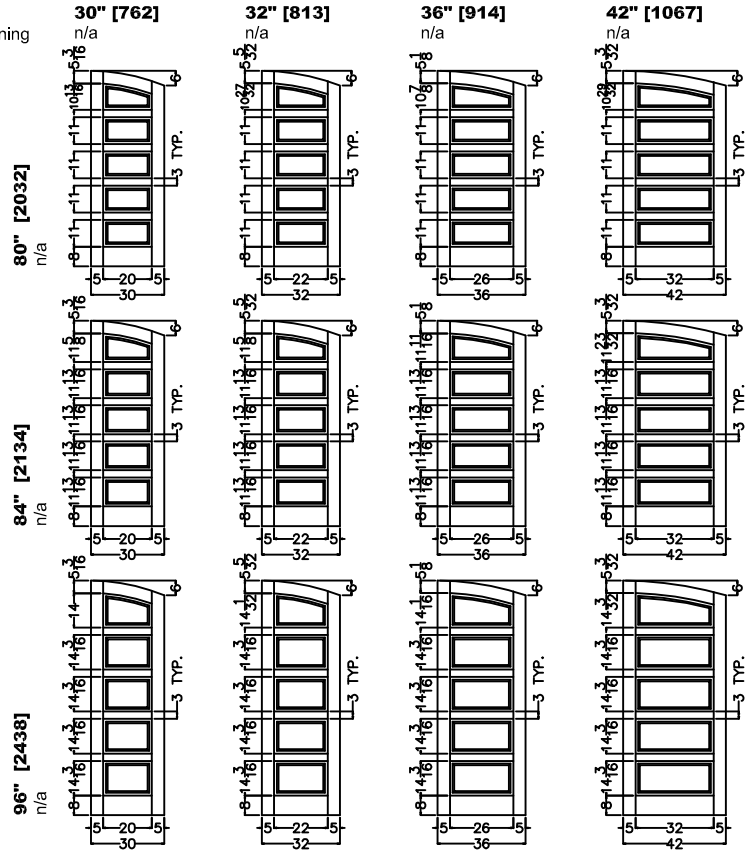
SEGMENT

Door Size
 Daylight Opening



HALF SEGMENT

Door Size
 Daylight Opening

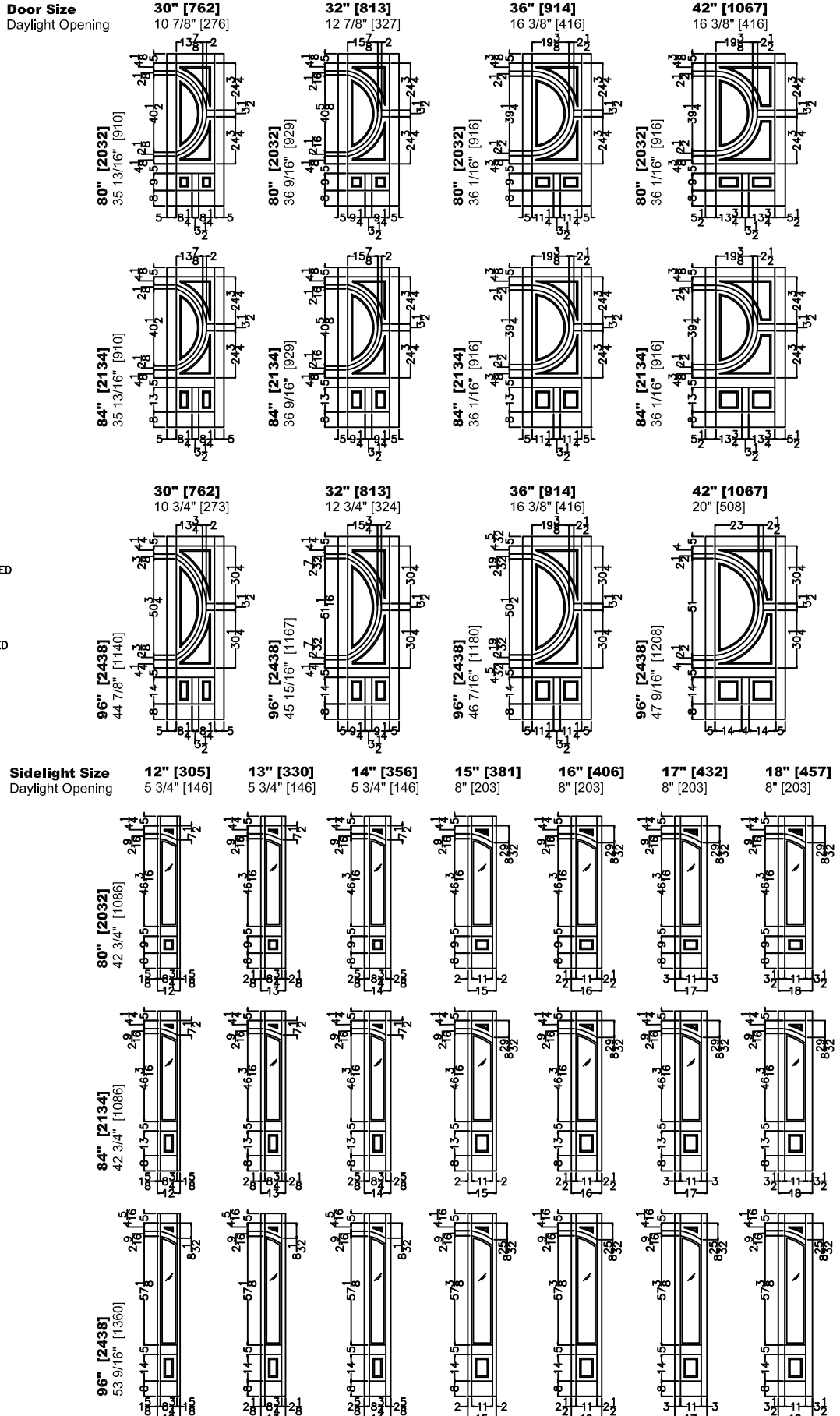
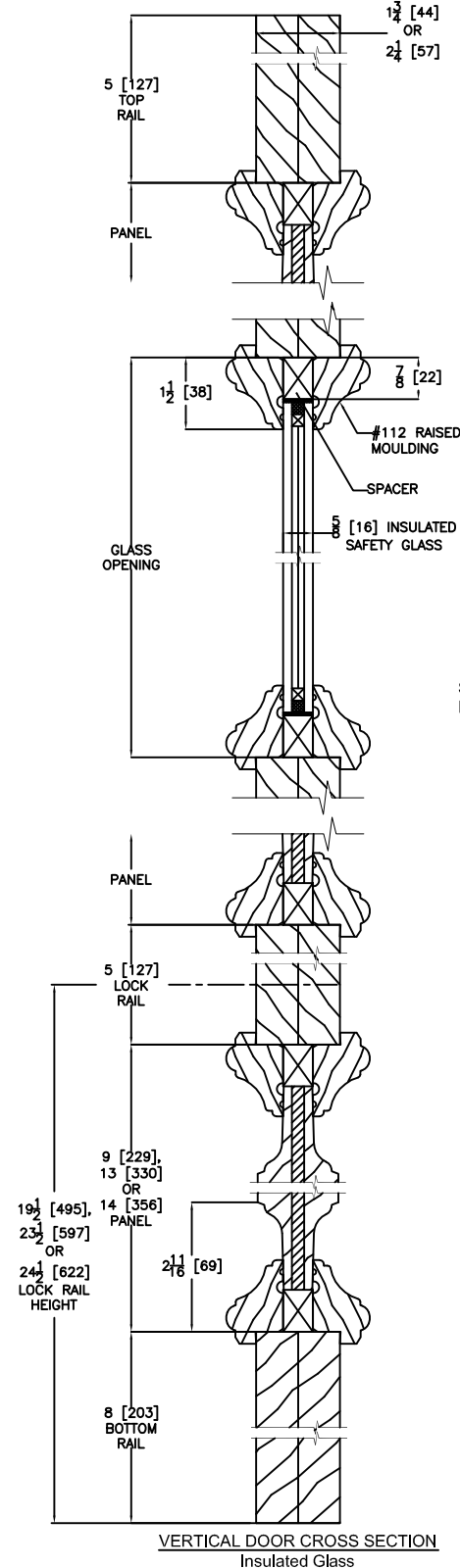


ELEVATION NOTES

Door Size = Book Size Before Prefit
 Daylight Opening (DLO) = Visible Glass
 Values in brackets [] are millimeter conversions.

DOOR CROSS-SECTION

Moulding Profile = 112
 Panel Profile = Double Hip
 See 250 Cross Section sheet for more detail.

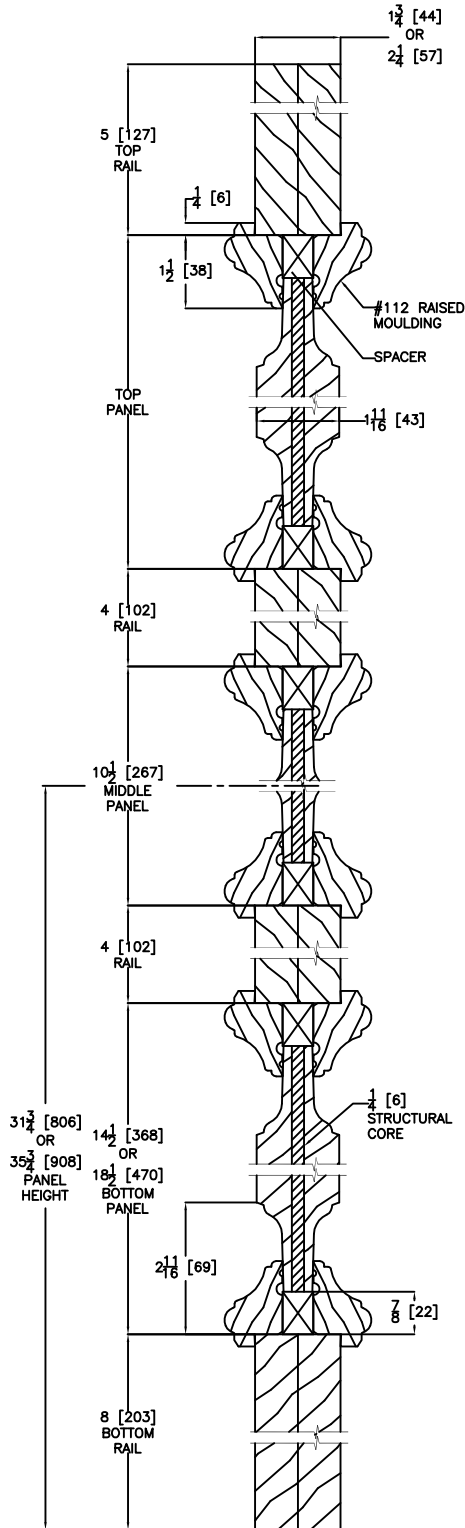


ELEVATION NOTES

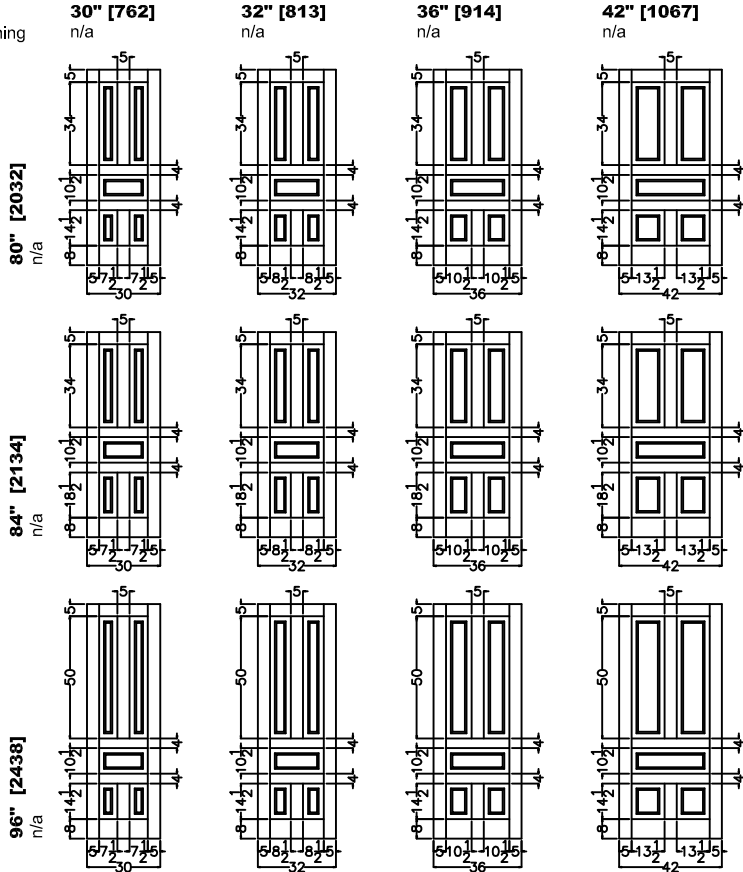
Door Size = Book Size Before Prefit
 Daylight Opening (DLO) = Visible Glass
 Values in brackets [] are millimeter conversions.

DOOR CROSS-SECTION

Moulding Profile = 112
 Panel Profile = Double Hip
 See 432 Cross Section sheet for more detail.

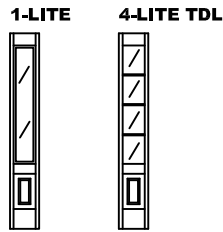


Door Size
 Daylight Opening



SIDLIGHT OPTIONS

See 432 Sidelight Drawing



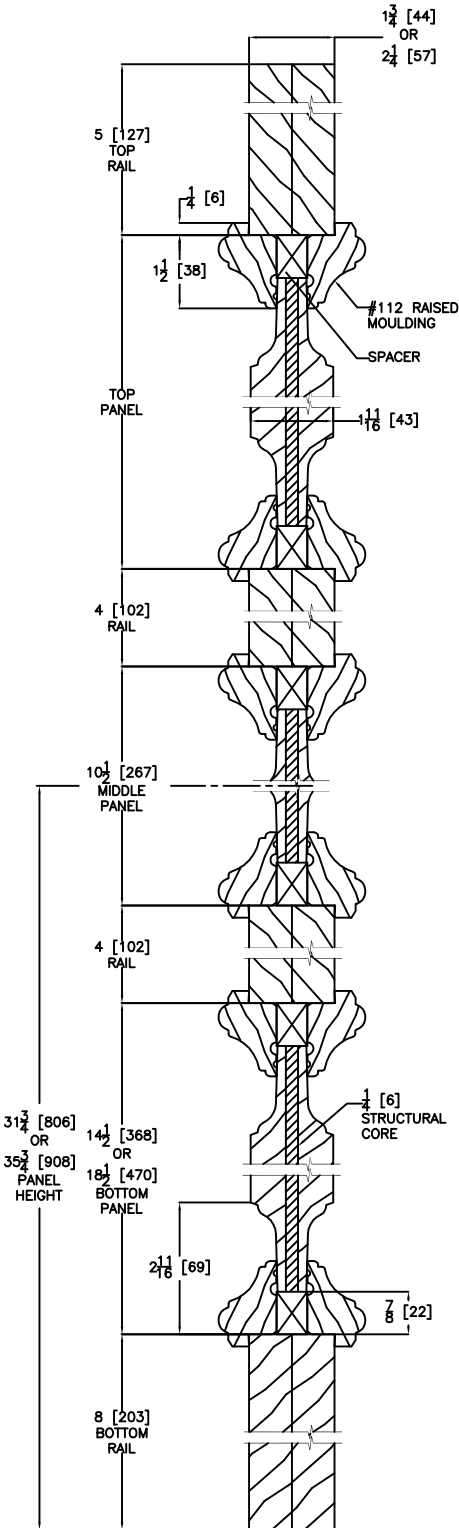
VERTICAL DOOR CROSS SECTION

ELEVATION NOTES

Door Size = Book Size Before Prefit
 Daylight Opening (DLO) = Visible Glass
 Values in brackets [] are millimeter conversions.

DOOR CROSS-SECTION

Moulding Profile = 112 / Ovolo
 Panel Profile = Double Hip
 See 432 Cross Section sheet for more detail.



VERTICAL DOOR CROSS SECTION

1-LITE / 1-PANEL

Sidelight Size Daylight Opening	12" [305] 6" [152]	13" [330] 6" [152]	14" [356] 6" [152]	15" [381] 8" [203]	16" [406] 8" [203]	17" [432] 8" [203]	18" [457] 8" [203]
80" [2032] 45 1/2" [1156]							
84" [2134] 45 1/2" [1156]							
96" [2438] 61 1/2" [1562]							

4-LITE TD / 1-PANEL

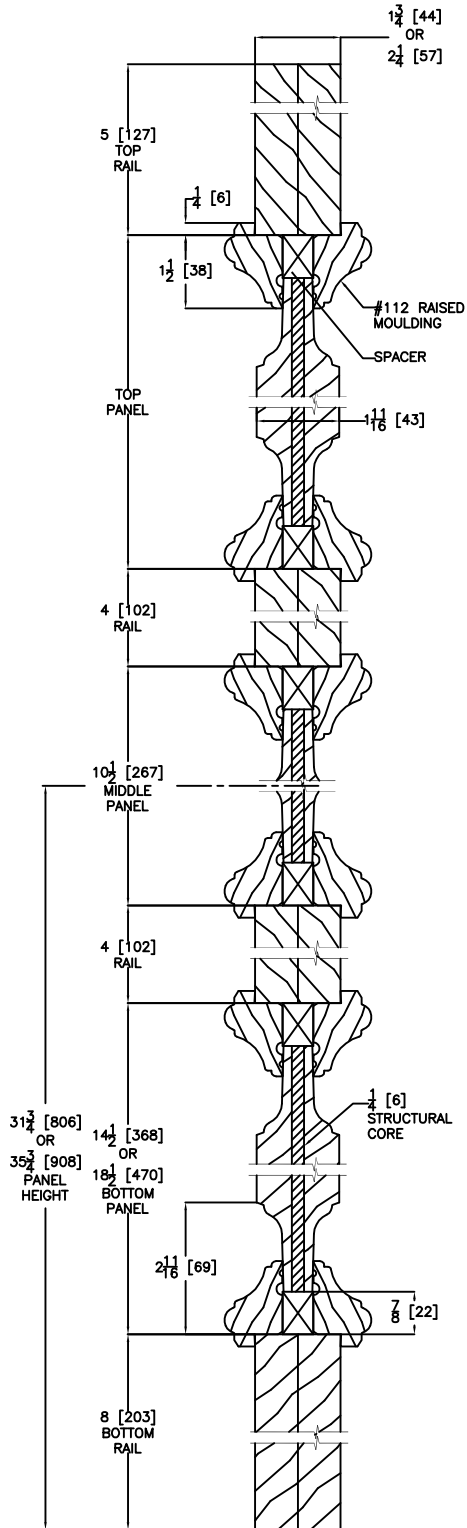
Sidelight Size Daylight Opening	12" [305] 7 7/8" [200]	13" [330] 7 7/8" [200]	14" [356] 7 7/8" [200]	15" [381] 7 7/8" [200]	16" [406] 9 7/8" [251]	17" [432] 9 7/8" [251]	18" [457] 9 7/8" [251]
80" [2032] 10 5/8" [270]							
84" [2134] 10 5/8" [270]							
96" [2438] 14 5/8" [371]							

ELEVATION NOTES

Door Size = Book Size Before Prefit
 Daylight Opening (DLO) = Visible Glass
 Values in brackets [] are millimeter conversions.

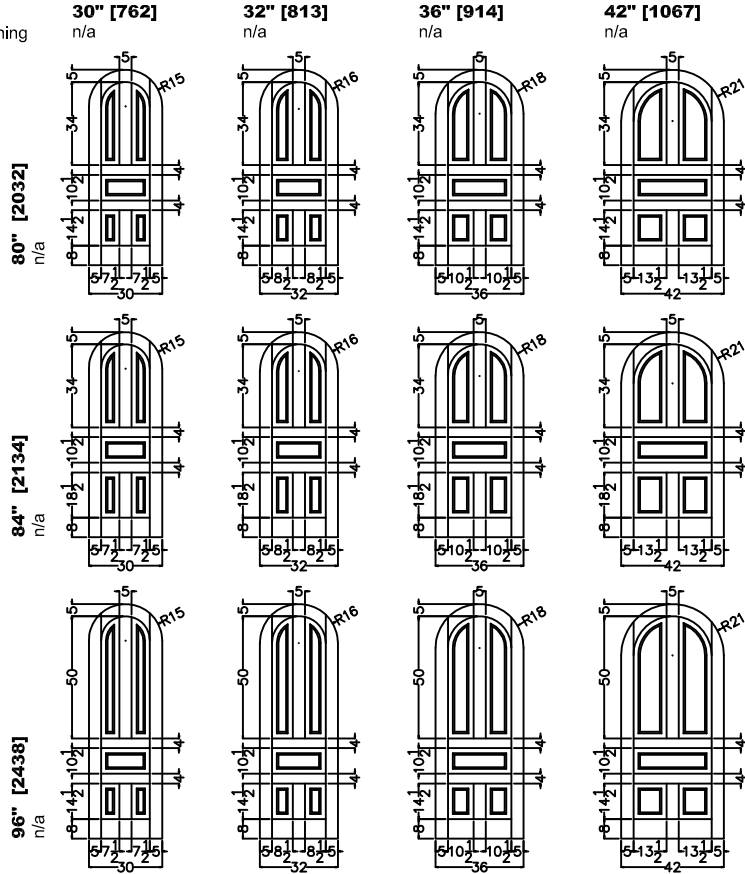
DOOR CROSS-SECTION

Moulding Profile = 112
 Panel Profile = Double Hip
 See 432 Cross Section sheet for more detail.



RADIUS

Door Size
 Daylight Opening



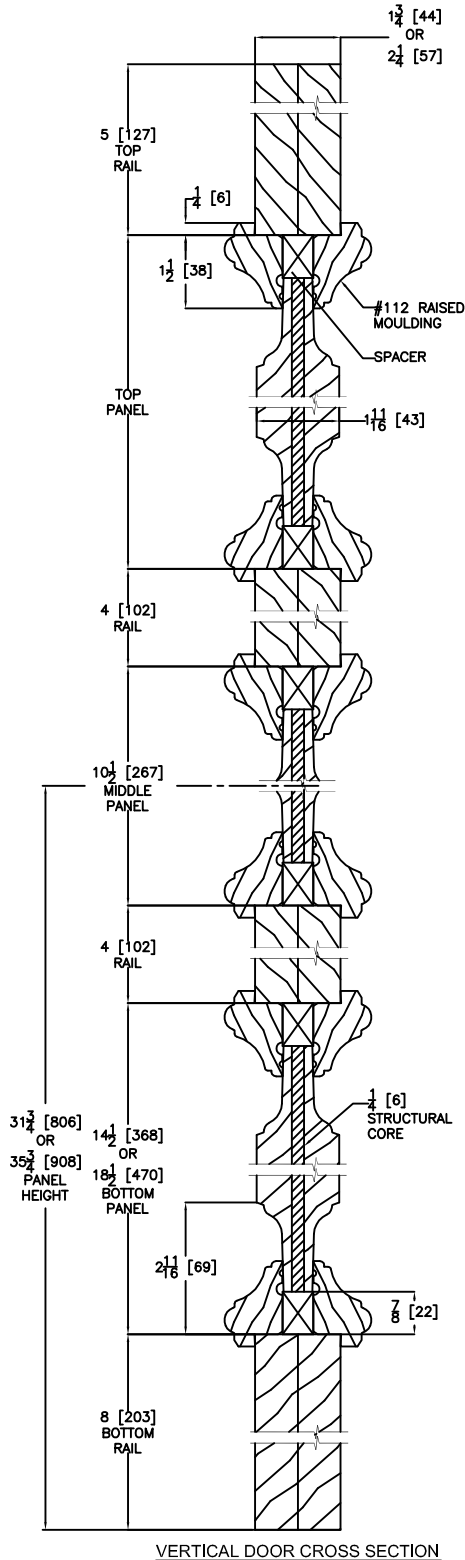
VERTICAL DOOR CROSS SECTION

ELEVATION NOTES

Door Size = Book Size Before Prefit
 Daylight Opening (DLO) = Visible Glass
 Values in brackets [] are millimeter conversions.

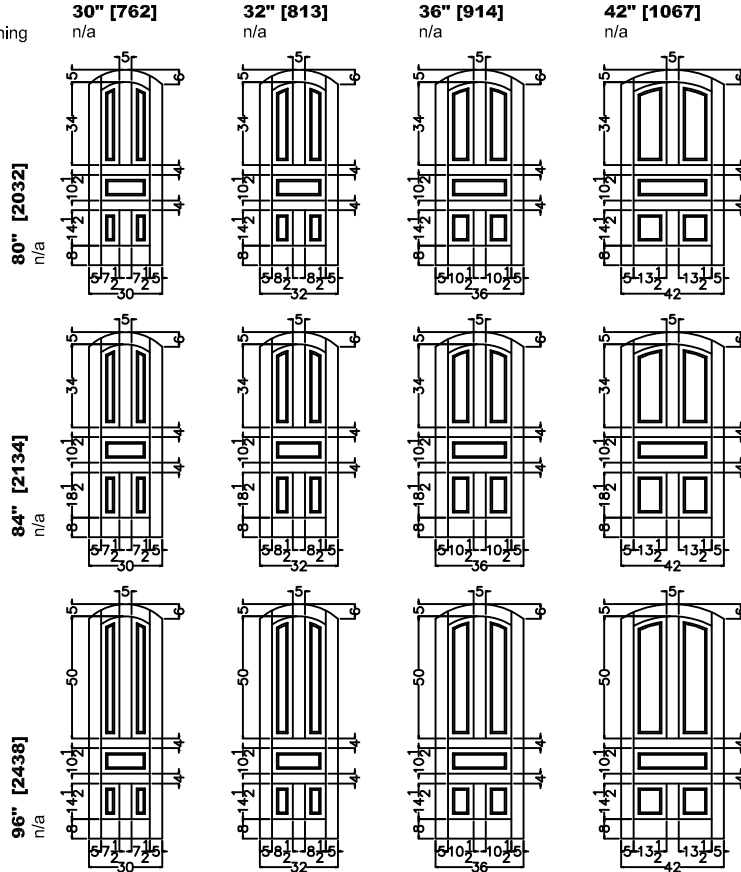
DOOR CROSS-SECTION

Moulding Profile = 112
 Panel Profile = Double Hip
 See 432 Cross Section sheet for more detail.



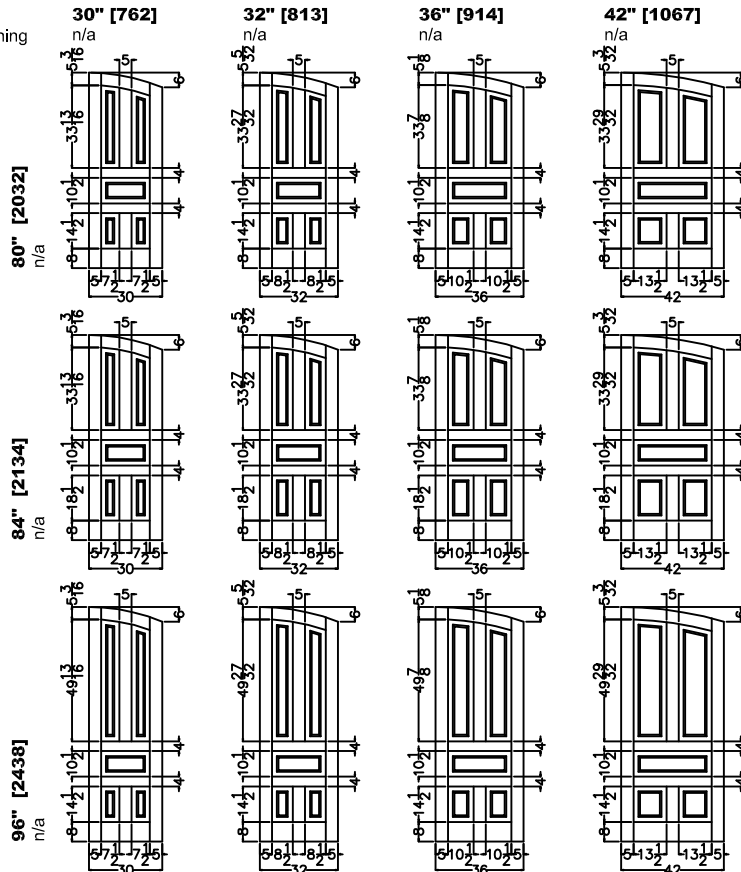
SEGMENT

Door Size
 Daylight Opening



HALF SEGMENT

Door Size
 Daylight Opening

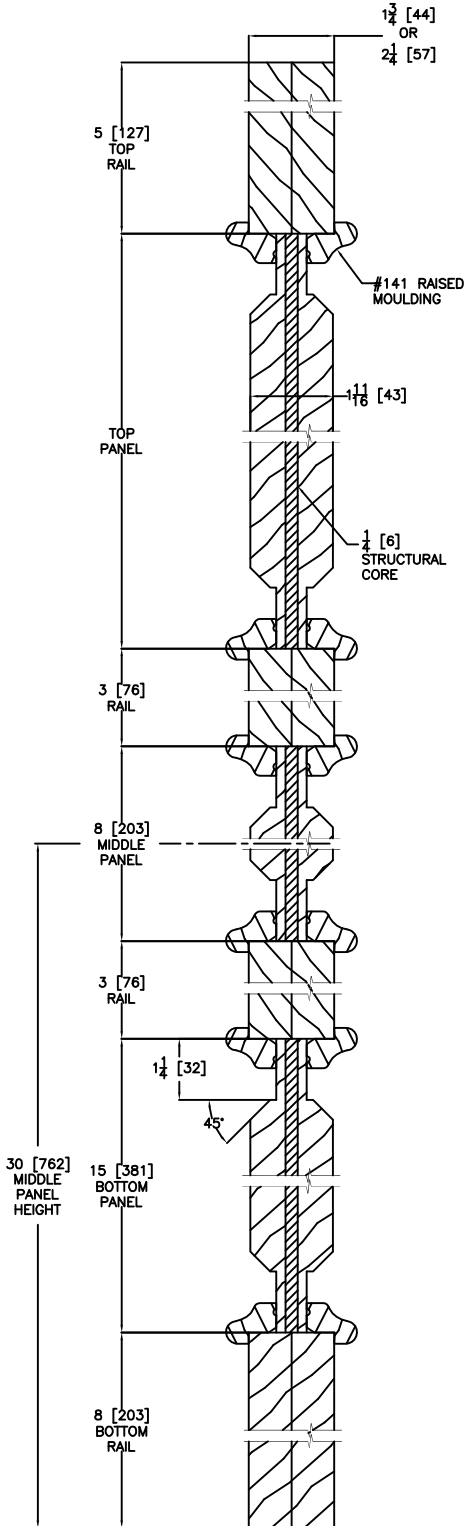


ELEVATION NOTES

Door Size = Book Size Before Prefit
 Daylight Opening (DLO) = Visible Glass
 Values in brackets [] are millimeter conversions.

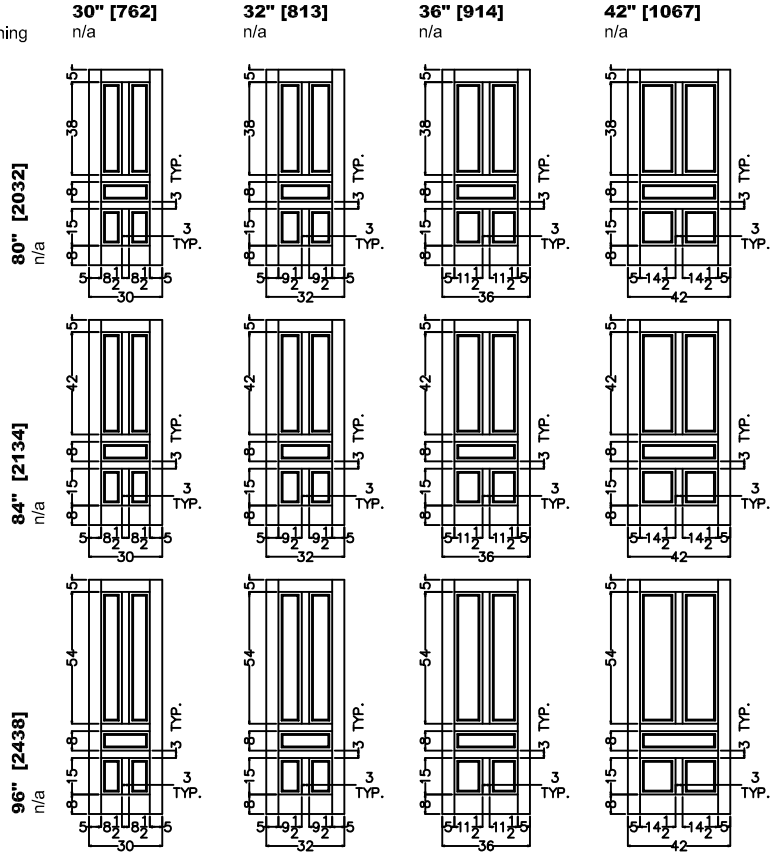
DOOR CROSS-SECTION

Moulding Profile = 141
 Panel Profile = 45 Degree
 See 435 Cross Section sheet for more detail.



VERTICAL DOOR CROSS SECTION

Door Size
 Daylight Opening

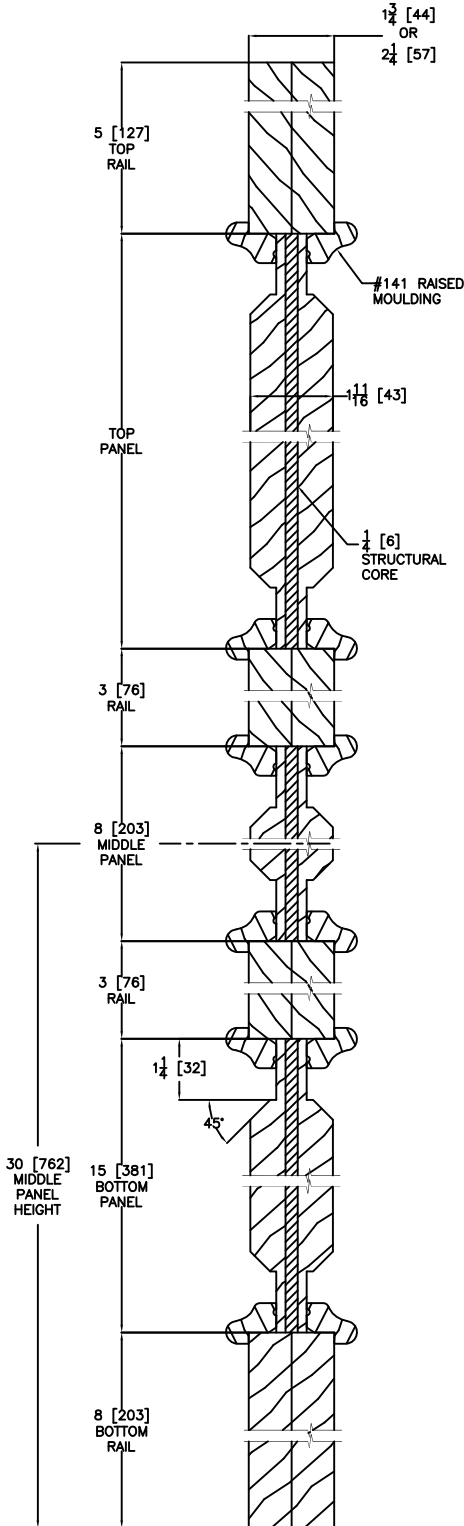


ELEVATION NOTES

Door Size = Book Size Before Prefit
 Daylight Opening (DLO) = Visible Glass
 Values in brackets [] are millimeter conversions.

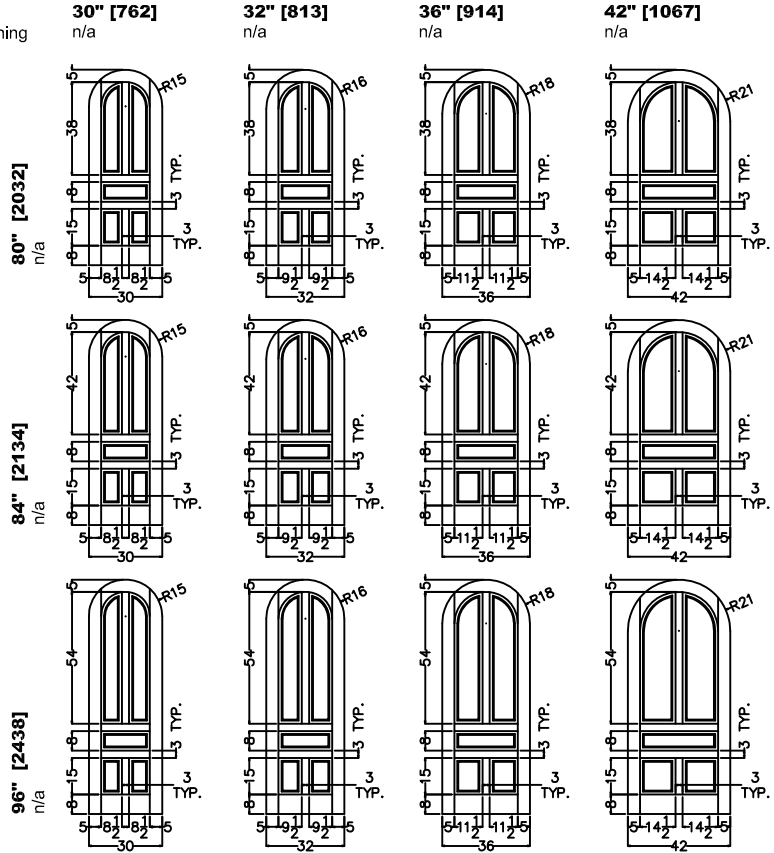
DOOR CROSS-SECTION

Moulding Profile = 141
 Panel Profile = 45 Degree
 See 435 Cross Section sheet for more detail.



RADIUS

Door Size
 Daylight Opening



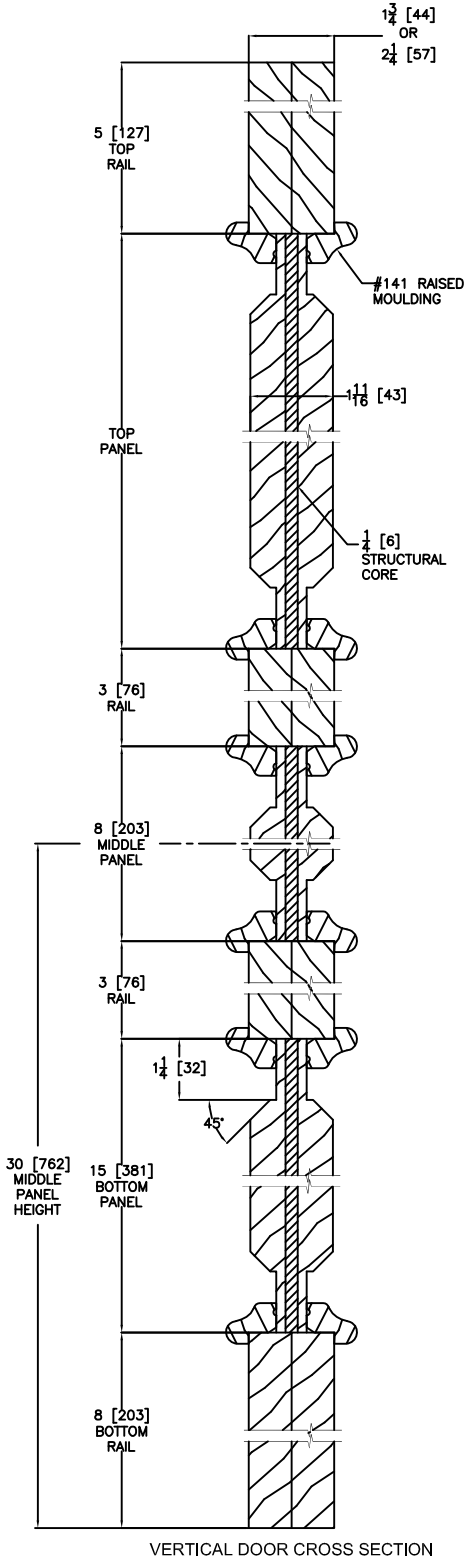
VERTICAL DOOR CROSS SECTION

ELEVATION NOTES

Door Size = Book Size Before Prefit
 Daylight Opening (DLO) = Visible Glass
 Values in brackets [] are millimeter conversions.

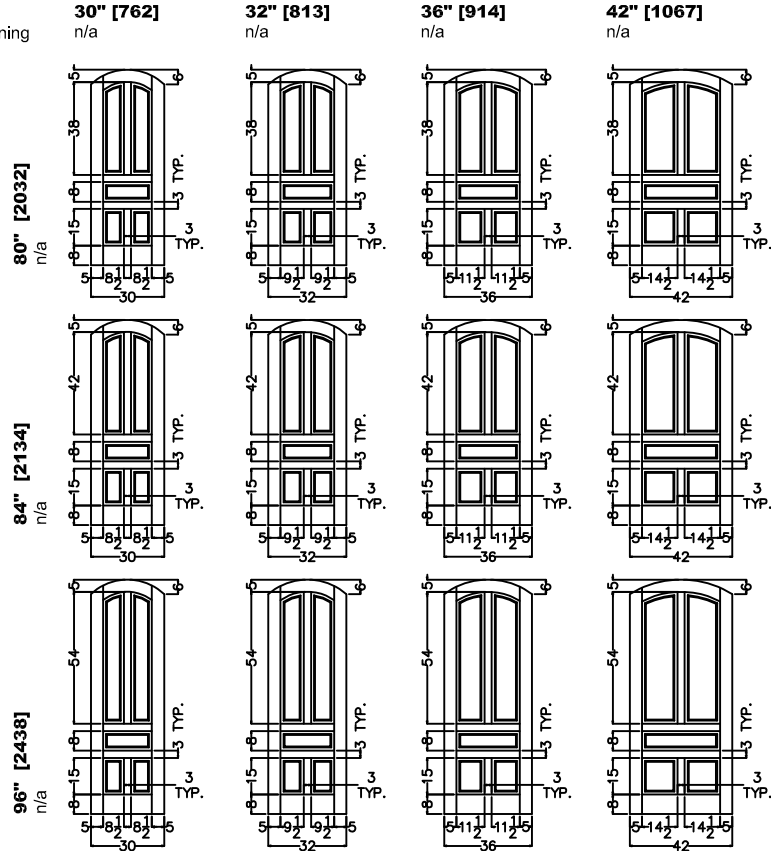
DOOR CROSS-SECTION

Moulding Profile = 141
 Panel Profile = 45 Degree
 See 435 Cross Section sheet for more detail.



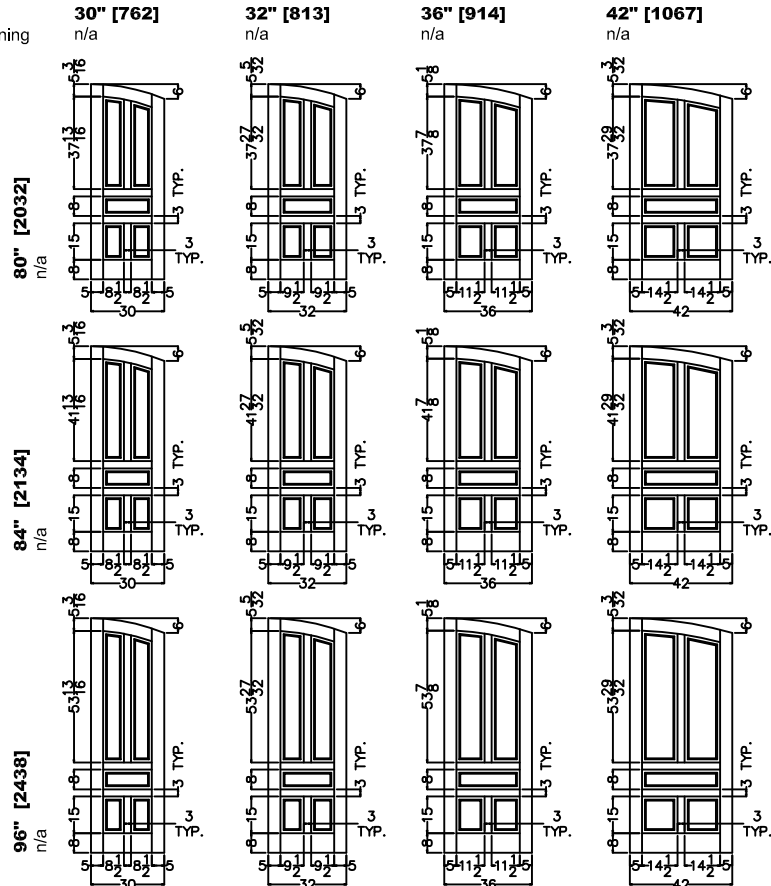
SEGMENT

Door Size
 Daylight Opening



HALF SEGMENT

Door Size
 Daylight Opening

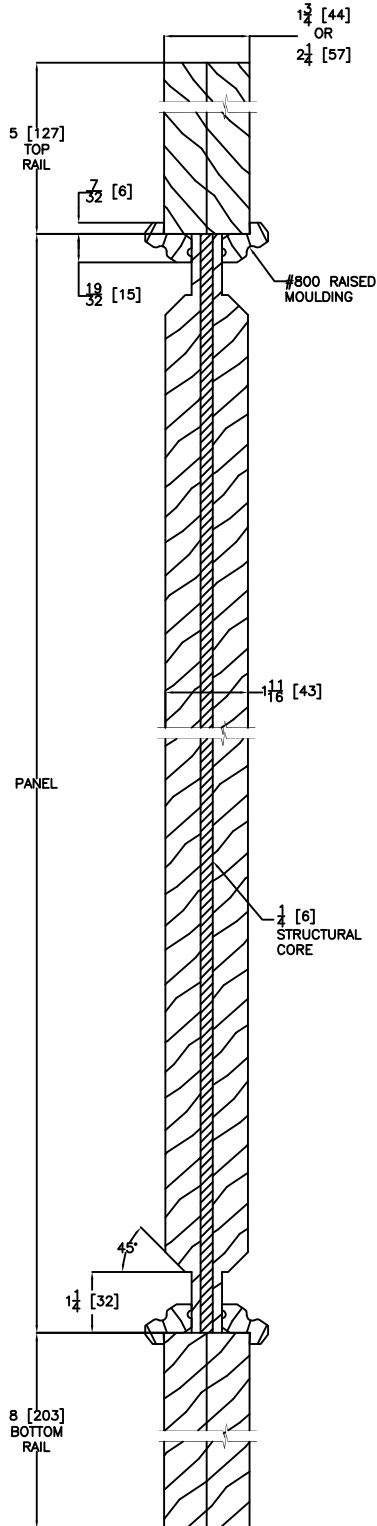


ELEVATION NOTES

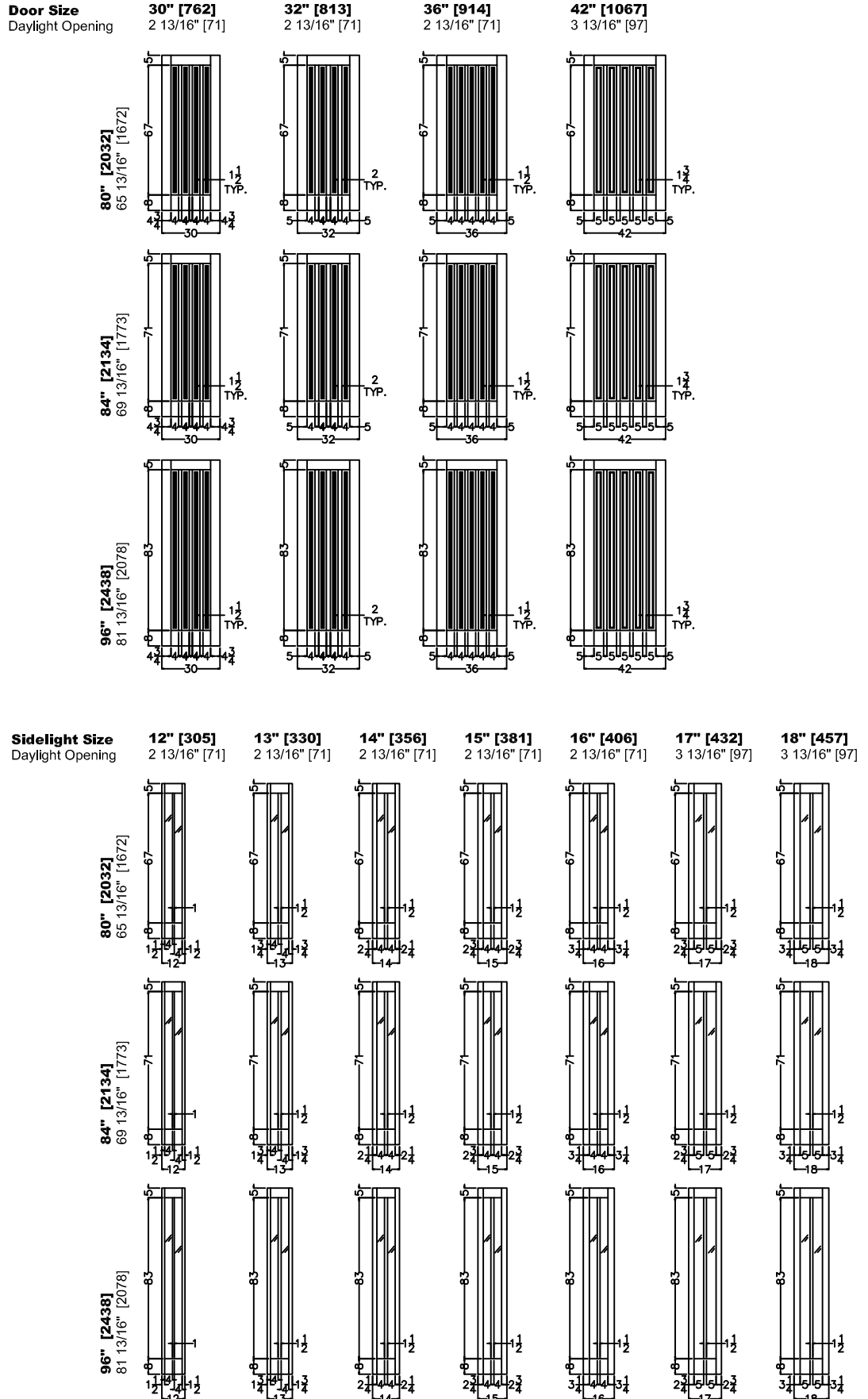
Door Size = Book Size Before Prefit
Daylight Opening (DLO) = Visible Glass
Values in brackets [] are millimeter conversions.

DOOR CROSS-SECTION

Moulding Profile = 800
Panel Profile = 45 Degree
See 750 Cross Section sheet for more detail.



VERTICAL DOOR CROSS SECTION

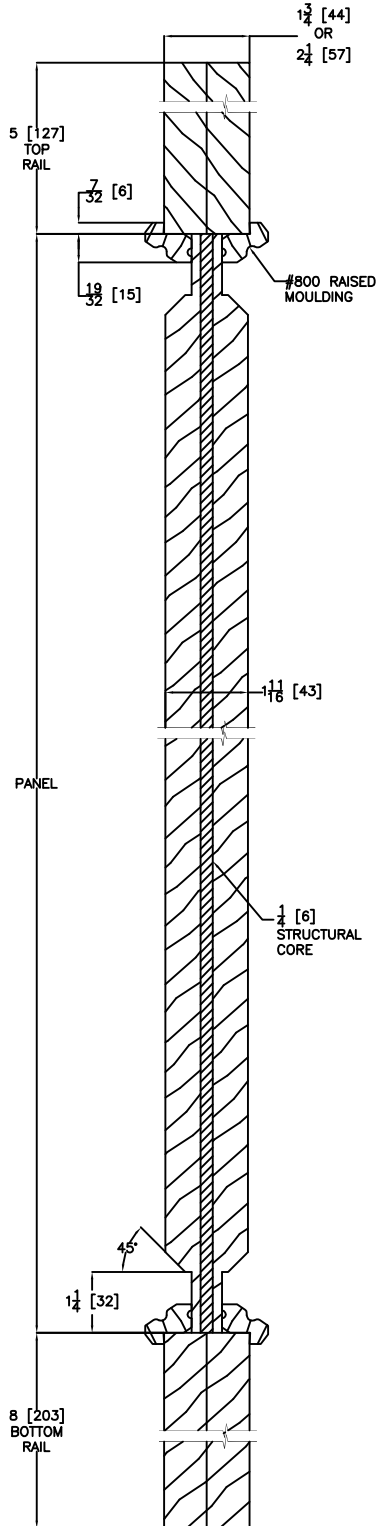


ELEVATION NOTES

Door Size = Book Size Before Prefit
 Daylight Opening (DLO) = Visible Glass
 Values in brackets [] are millimeter conversions.

DOOR CROSS-SECTION

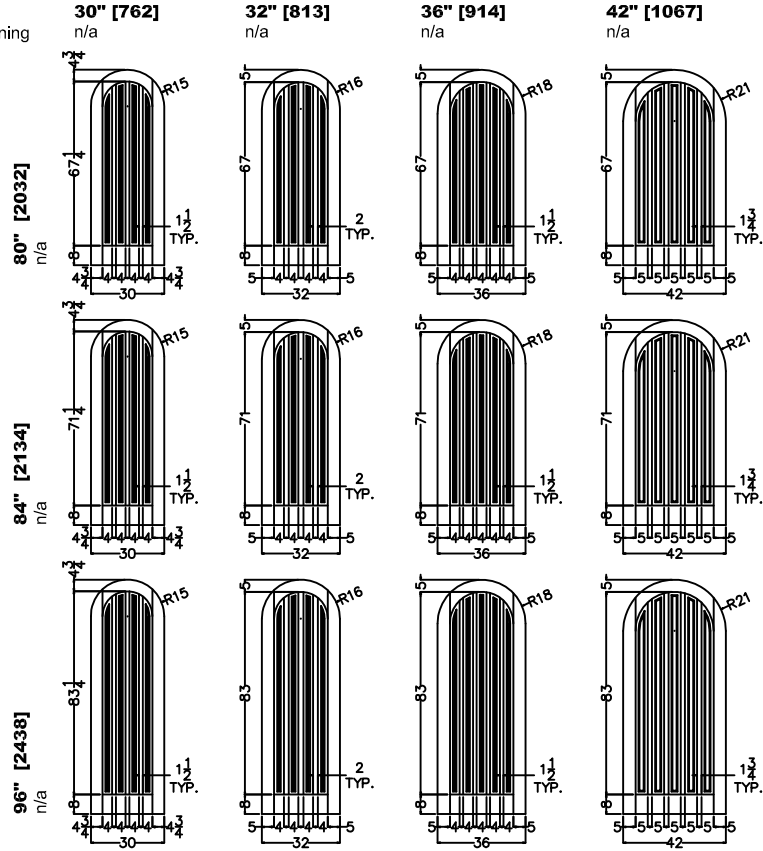
Moulding Profile = 800
 Panel Profile = 45 Degree
 See 750 Cross Section sheet for more detail.



VERTICAL DOOR CROSS SECTION

RADIUS

Door Size
 Daylight Opening

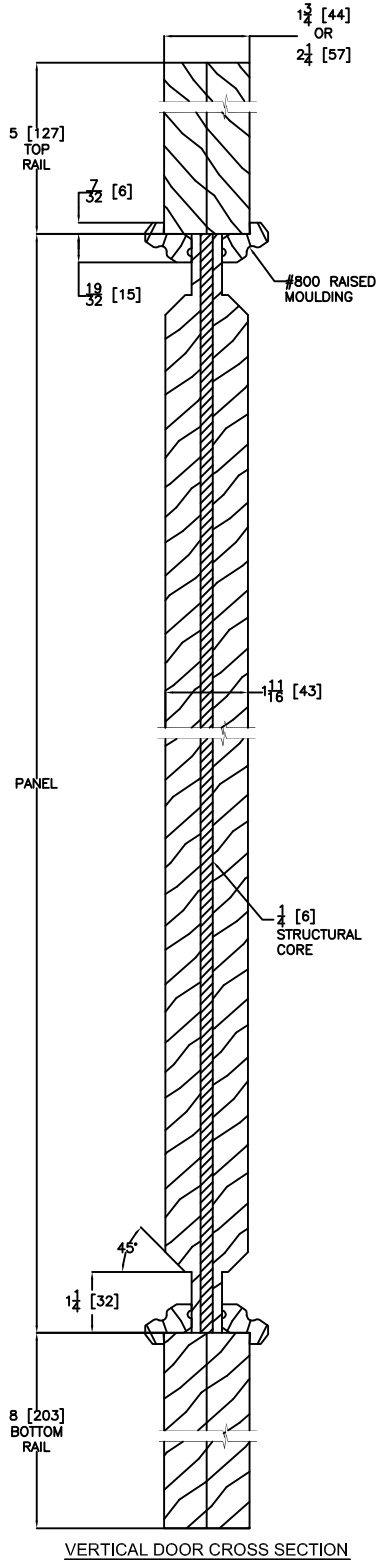


ELEVATION NOTES

Door Size = Book Size Before Prefit
 Daylight Opening (DLO) = Visible Glass
 Values in brackets [] are millimeter conversions.

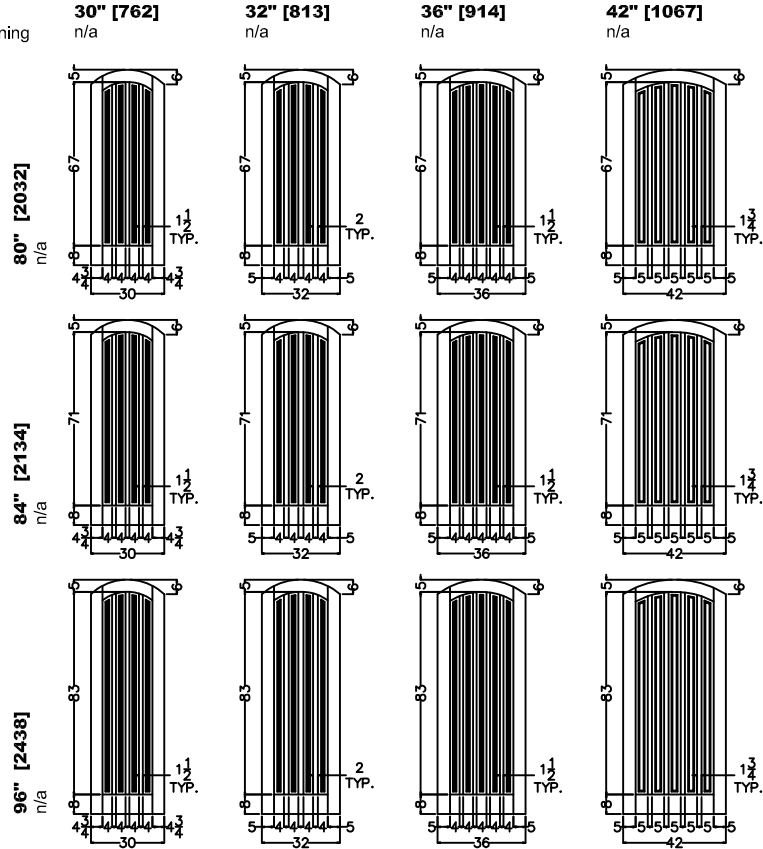
DOOR CROSS-SECTION

Moulding Profile = 800
 Panel Profile = 45 Degree
 See 750 Cross Section sheet for more detail.



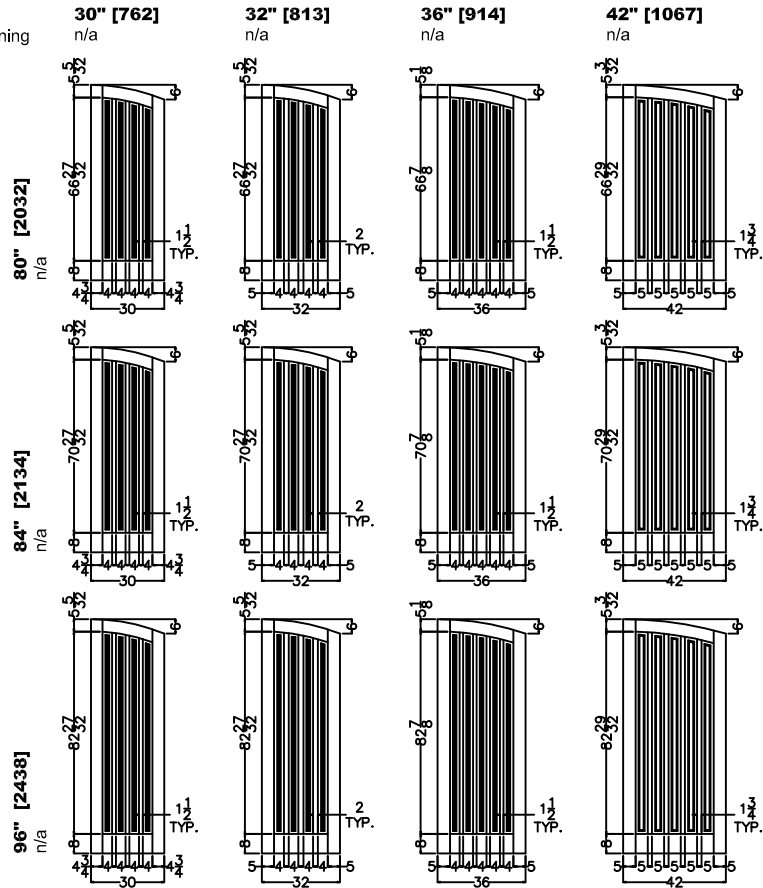
SEGMENT

Door Size
 Daylight Opening



HALF SEGMENT

Door Size
 Daylight Opening



DECORATIVE ACCENTS



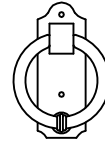
ROUND CLAVOS

Size Options: 1" diameter, 1.75" diameter
Finish Options: Dark Patina, Rust Patina
Material: Aluminum with Powder Coat Finish



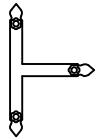
DIAMOND CLAVOS

Size Options: 1", 1.75"
Finish Options: Dark Patina, Rust Patina
Material: Aluminum with Powder Coat Finish



COLONIAL DOOR KNOCKER

Base: 2" Wide x 5 5/8" Tall, Handle: 4" Wide
Finish Options: Dark Patina, Rust Patina
Material: Iron



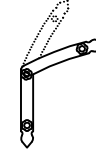
RAIL STRAP

Finish Options: Dark Patina, Rust Patina
Material: Aluminum with Powder Coat Finish



CORNER STRAP

Finish Options: Dark Patina, Rust Patina
Material: Aluminum with Powder Coat Finish

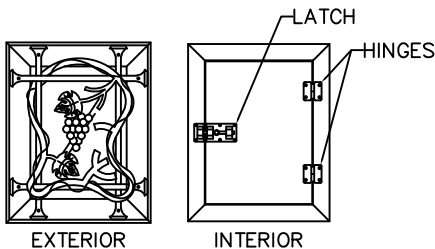


RADIUS STRAP

Finish Options: Dark Patina, Rust Patina
Material: Aluminum with Powder Coat Finish
Adjustable for Segment/Radius Shapes

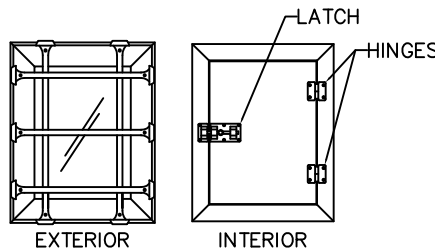
SPEAKEASY/DOOR LIGHT

Glass Options: Clear IG, Clear SG, Bevel IG, Bevel SG, Glue Chip IG,
Low E IG, Rain IG, Reed IG, Frosted IG, Open for Glass
Handing: Will be Handed to Match the Door unless Otherwise Specified
Frame Size: 11 3/4" x 14 3/4", Daylight Opening: 8" x 11", Actual Glass Size: 8 7/8" x 11 7/8"



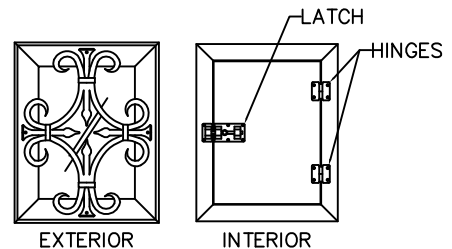
SPEAKEASY, BORDEAUX GRILLE

Hardware Finish Options: Dark Patina, Rust Patina
Material: Wood Frame / Iron Hardware



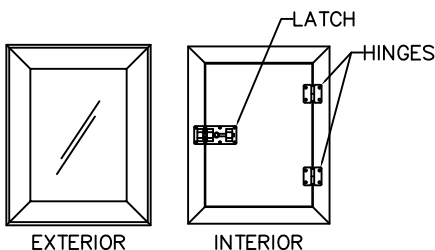
SPEAKEASY, RUSTIC GRILLE

Hardware Finish Options: Dark Patina, Rust Patina
Material: Wood Frame / Iron Hardware



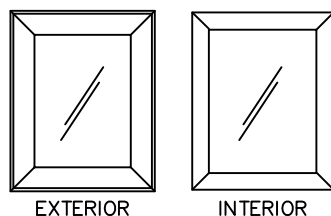
SPEAKEASY, SEVILLE GRILLE

Hardware Finish Options: Dark Patina, Rust Patina
Material: Wood Frame / Iron Hardware



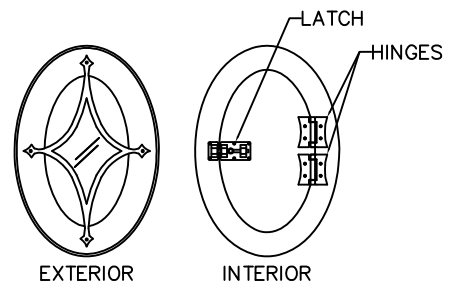
SPEAKEASY (NO GRILLE)

Hardware Finish Options: Dark Patina, Rust Patina
Material: Wood Frame / Iron Hardware



RECTANGLE DOOR LIGHT

Hardware Finish Options: n/a
Material: Wood Frame
Available with All Speakeasy Grilles



OVAL SPEAKEASY, VICTORIAN GRILLE

Hardware Finish Options: Dark Patina, Rust Patina
Material: Wood Frame / Iron Hardware
Frame Size: 12" x 17 1/2"



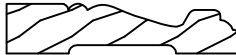
#20 CASING
2 1/4" X 1 1/8"



#20 w/ STUCCO KEY
2 1/4" X 1 1/8"



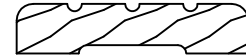
#22 CASING
2" X 1 1/8"



#13 CASING
3 1/2" X 3/4"



#14 CASING
2 1/4" X 3/4"



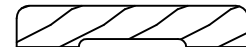
#15 CASING
3 1/2" X 3/4"



#16 CASING
2 1/4" X 3/4"



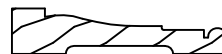
#17 CASING
4 1/2" X 1 3/16"



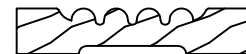
#21 CASING
3 1/2" X 5/8"



#23 CASING
3 1/2" X 1 1/8"



#24 CASING
3 1/4" X 11/16"



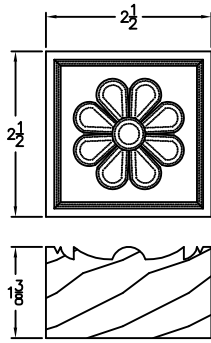
#25 CASING
3 1/2" X 11/16"

Notes:

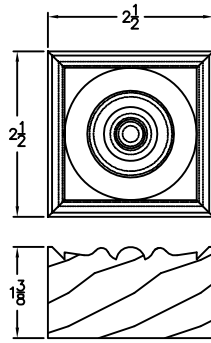
Shown here are standard trim options.

Special size casing or custom profile casing may be available upon request.

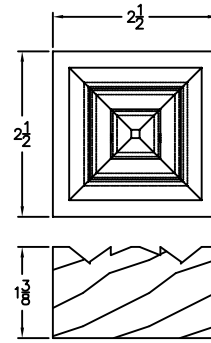
EXTERIOR CORNER BLOCK



"A" BLOCK
2 1/2" X 2 1/2"

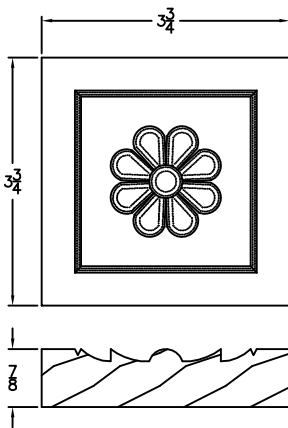


"B" BLOCK
2 1/2" X 2 1/2"

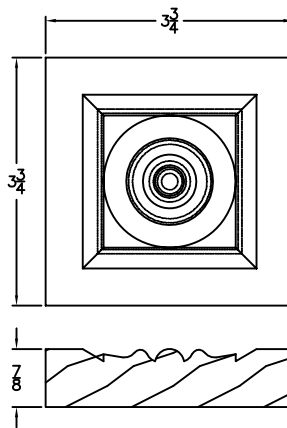


"C" BLOCK
2 1/2" X 2 1/2"

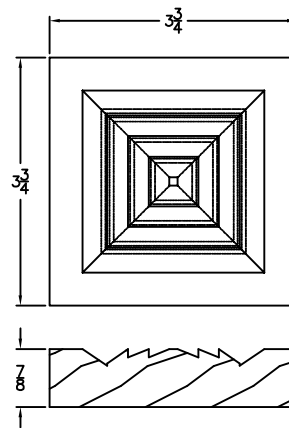
INTERIOR CORNER BLOCK



"A" BLOCK
3 3/4" X 3 3/4"



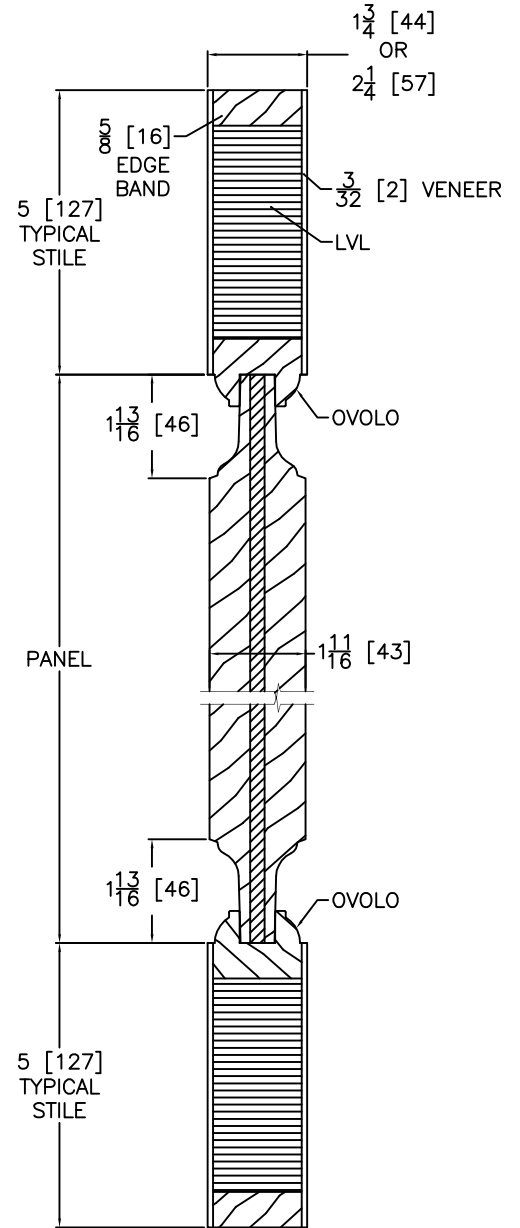
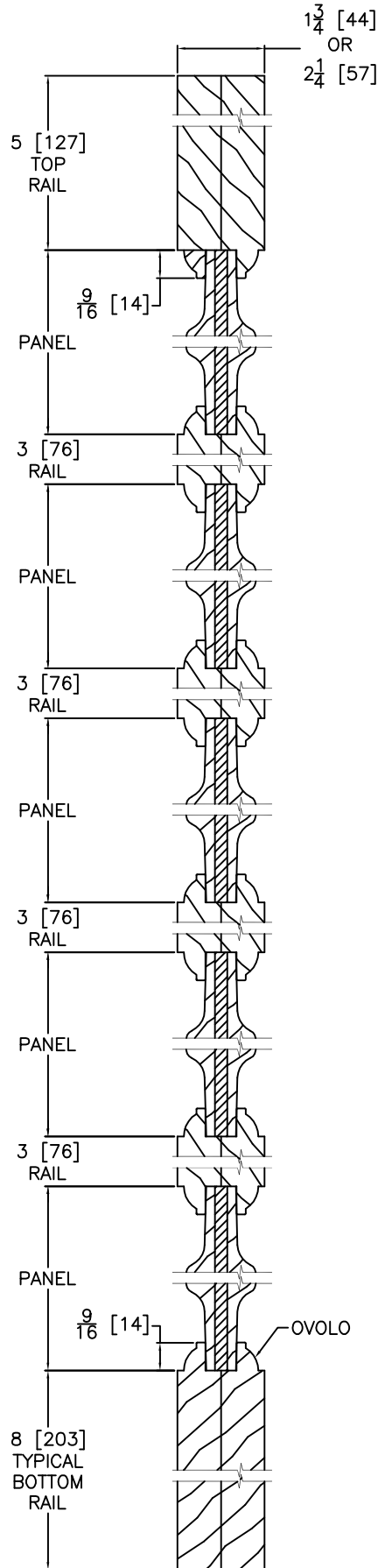
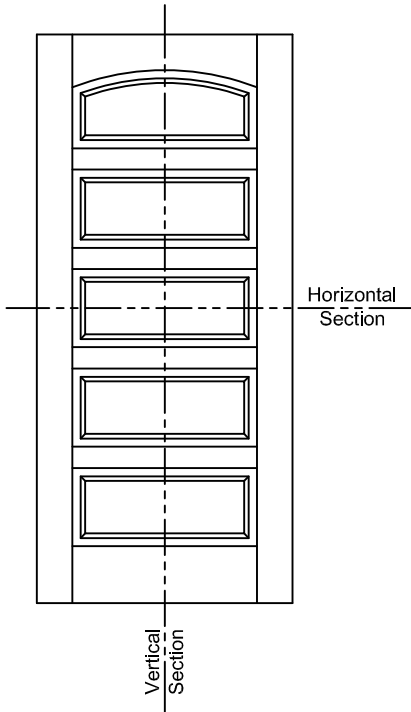
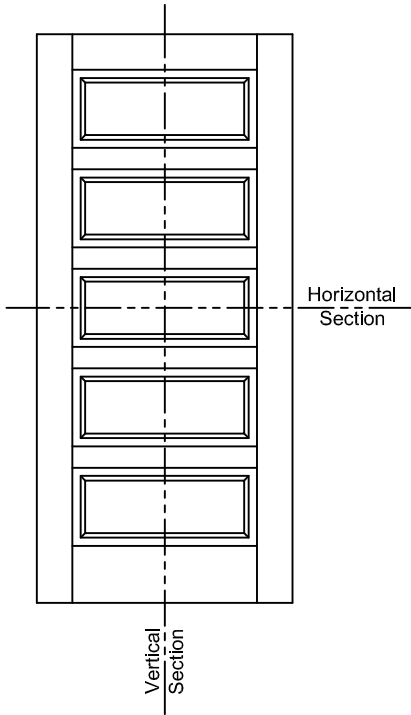
"B" BLOCK
3 3/4" X 3 3/4"



"C" BLOCK
3 3/4" X 3 3/4"

Notes:

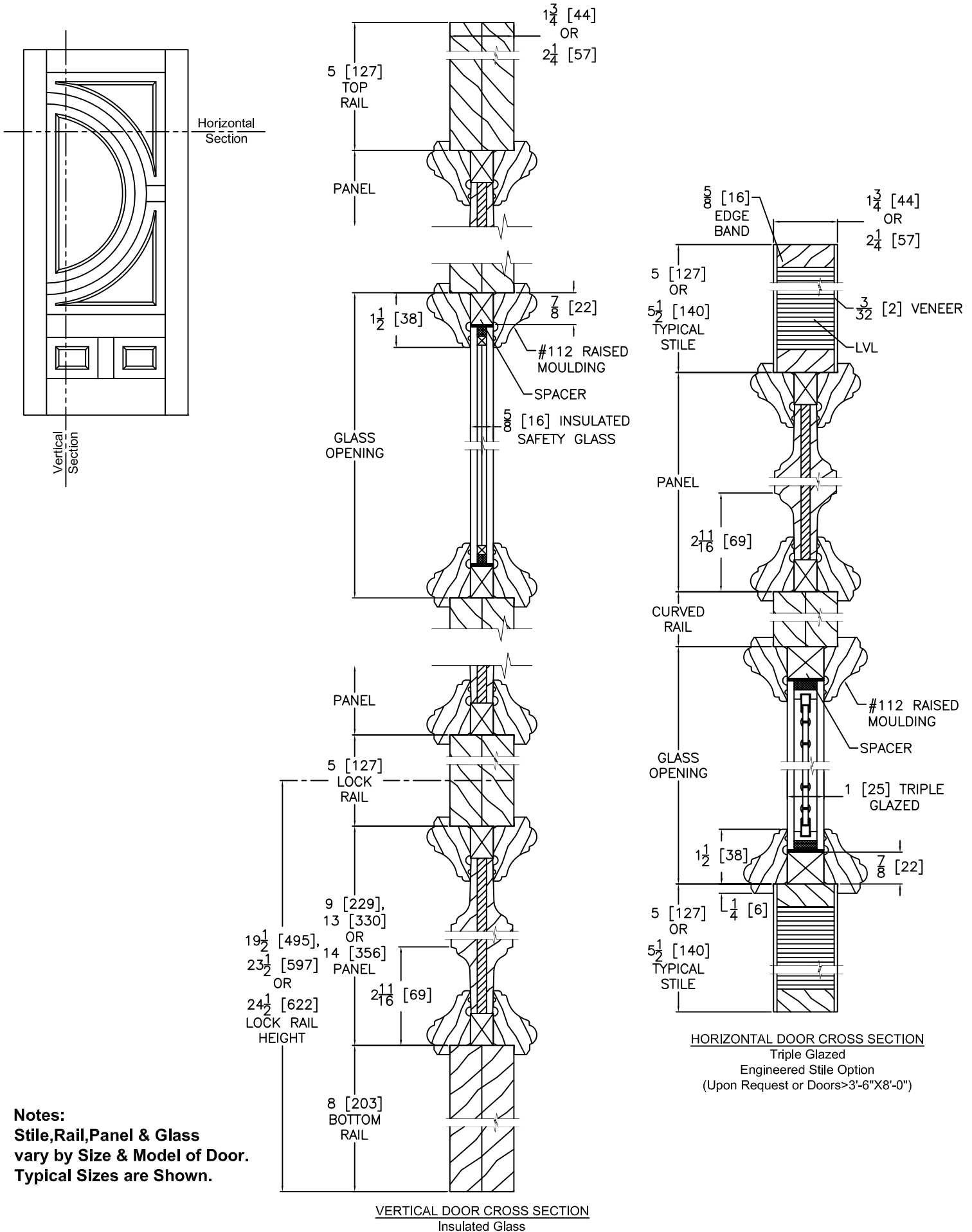
Interior corner block may be used for exterior application and vice versa.



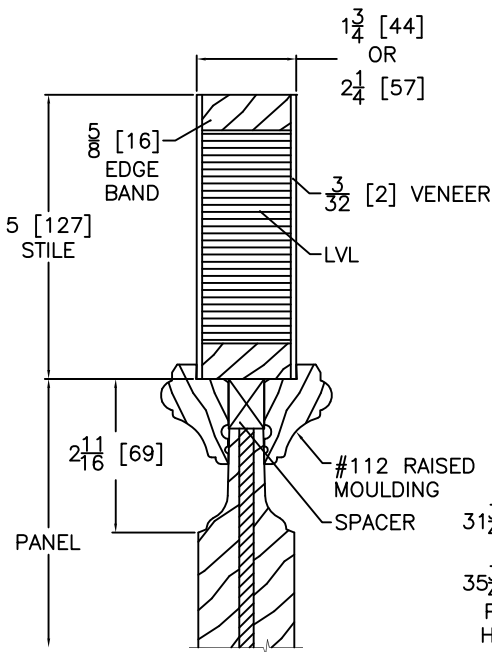
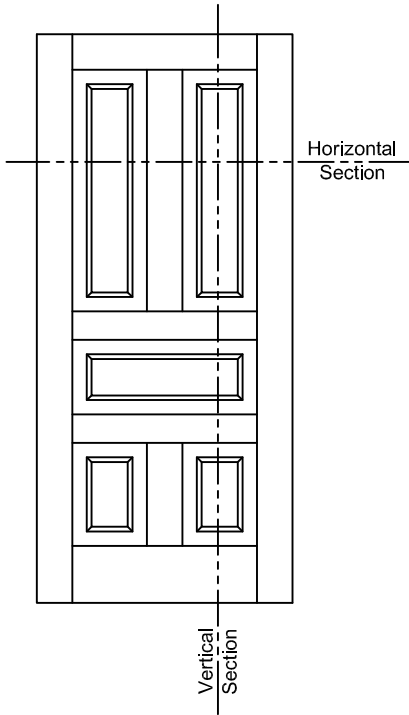
HORIZONTAL DOOR CROSS SECTION
Engineered Stile Option
(Upon Request or Doors >3'-6" X 8'-0")

VERTICAL DOOR CROSS SECTION

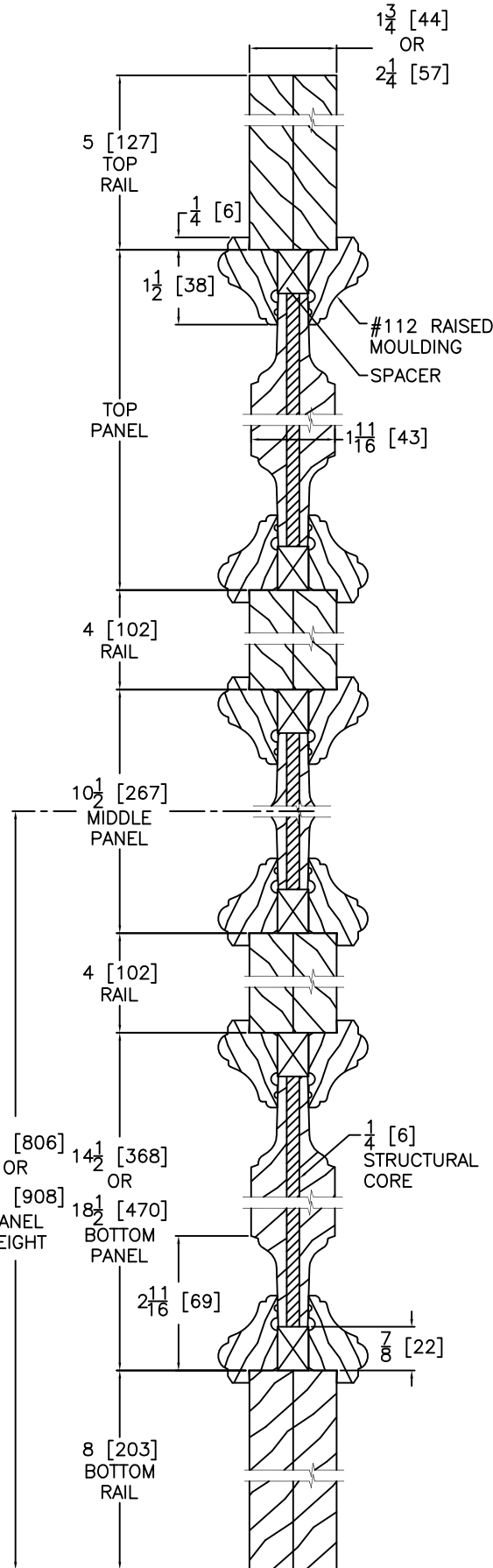
Notes:
Stile, Rail, Panel & Glass
vary by Size & Model of Door.
Typical Sizes are Shown.



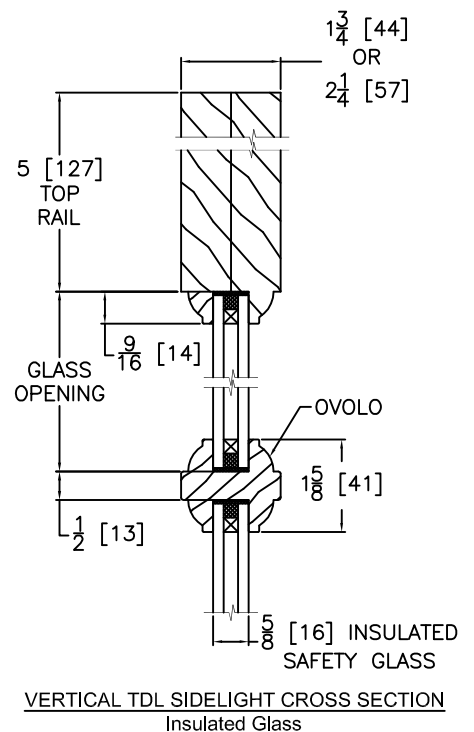
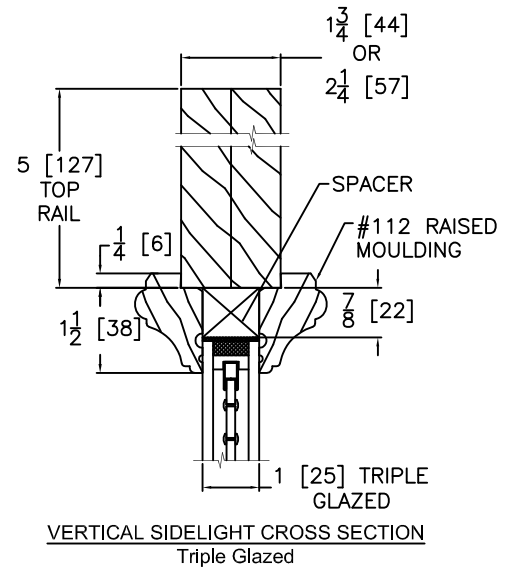
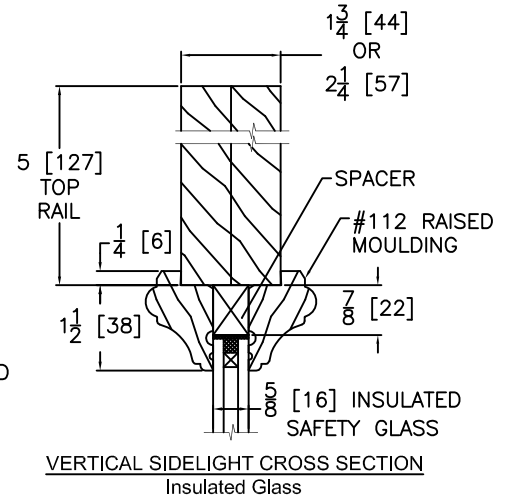
Notes:
Stile, Rail, Panel & Glass
vary by Size & Model of Door.
Typical Sizes are Shown.



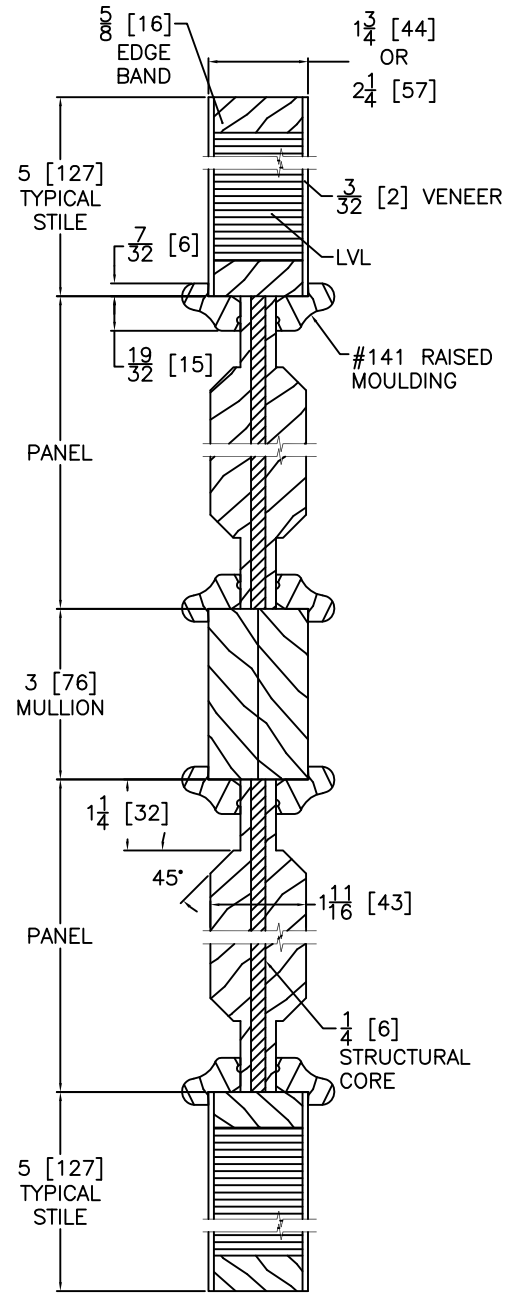
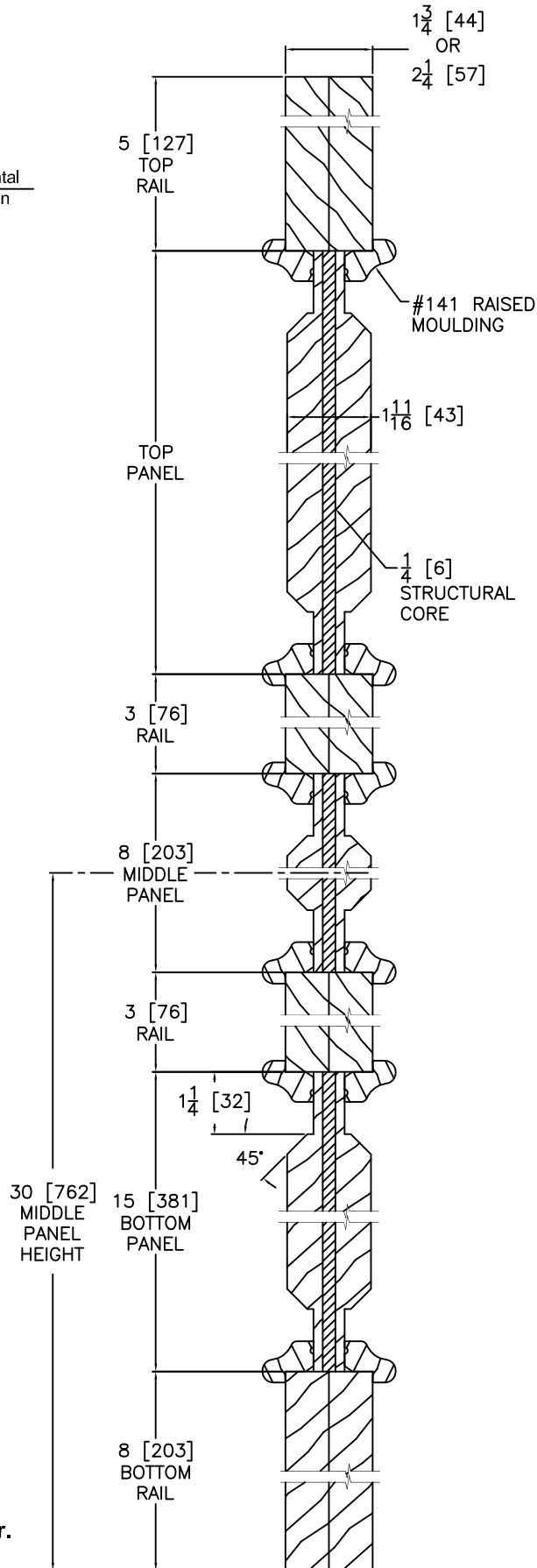
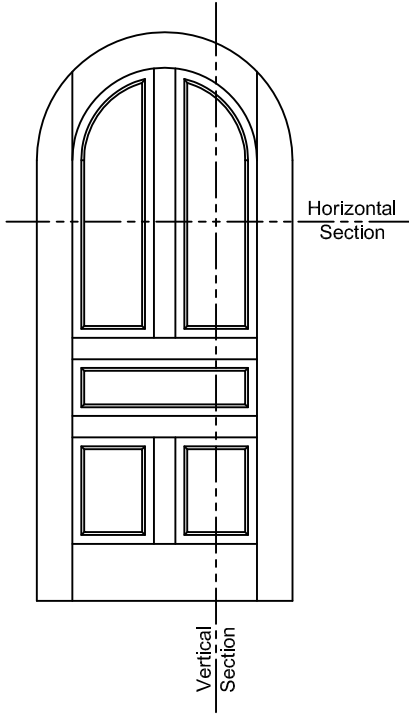
HORIZONTAL DOOR CROSS SECTION
Engineered Stile Option
(Upon Request or Doors > 3'-6" X 8'-0")



VERTICAL DOOR CROSS SECTION

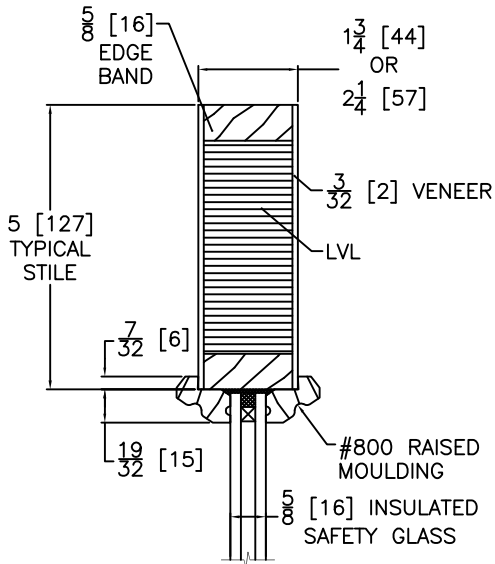
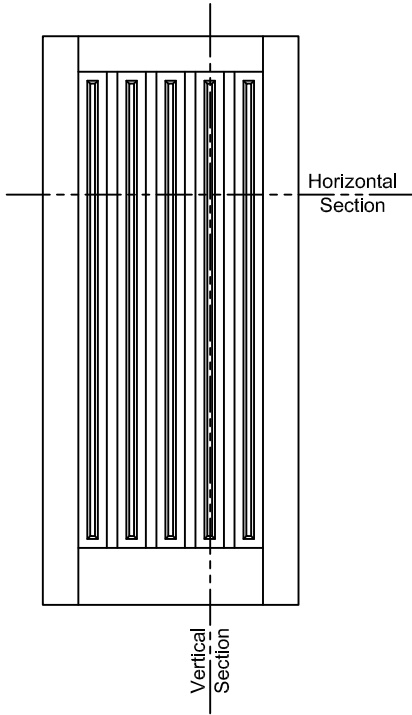


Notes:
Stile, Rail, Panel & Glass
vary by Size & Model of Door.
Typical Sizes are Shown.

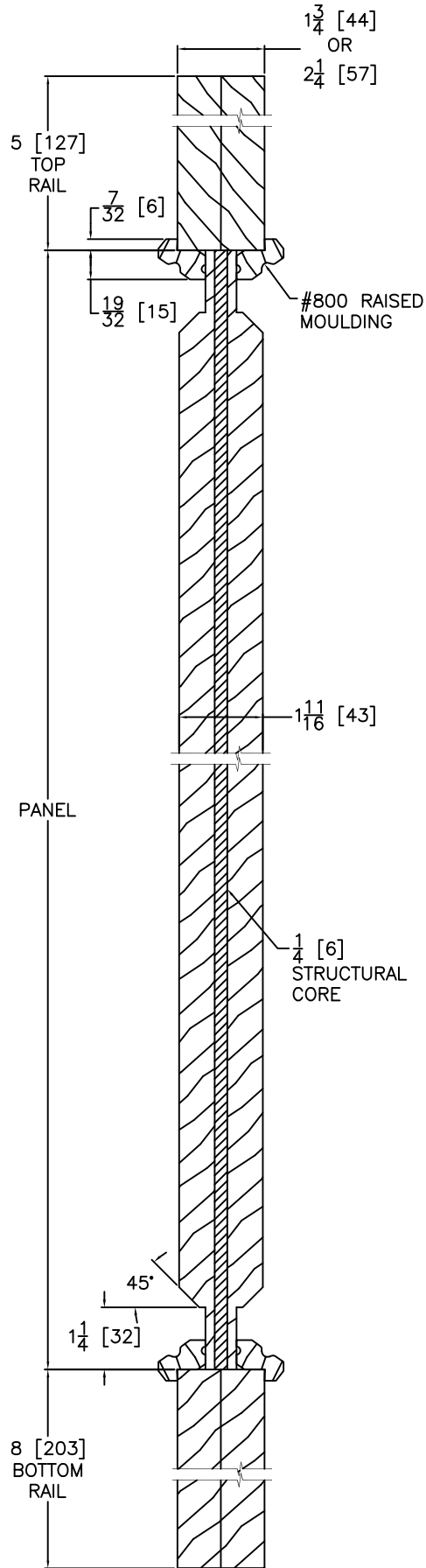


HORIZONTAL DOOR CROSS SECTION
Engineered Stile Option
(Upon Request or Doors > 3'-6" X 8'-0")

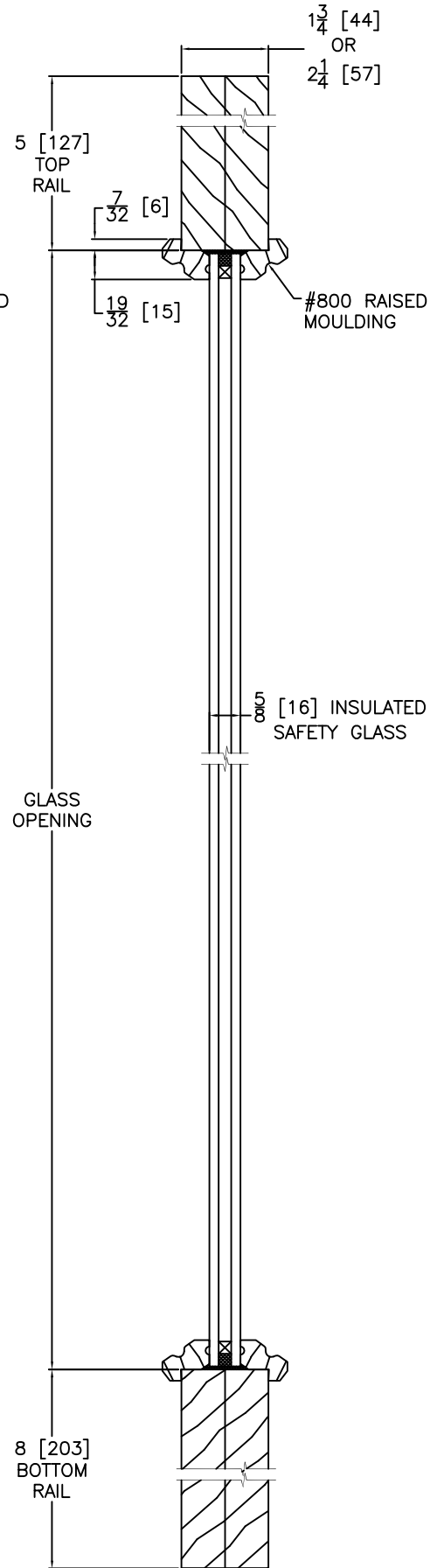
Notes:
Stile, Rail, Panel & Glass
vary by Size & Model of Door.
Typical Sizes are Shown.



HORIZONTAL DOOR CROSS SECTION
Insulated Glass
Engineered Stile Option
(Upon Request or Doors > 3'-6" X 8'-0")



VERTICAL DOOR CROSS SECTION



VERTICAL DOOR/SIDELIGHT CROSS SECTION
Insulated Glass

Notes:
Stile, Rail, Panel & Glass
vary by Size & Model of Door.
Typical Sizes are Shown.