

TABLE OF CONTENTS

6 PANEL DOORS

Elevations: 1/8" Scale

66

160

180

430

608

Decorative Hardware

Exterior Casing Options

Exterior/Interior Corner Block Options

Section Details

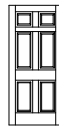
66

160

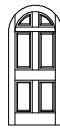
180

430

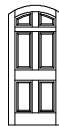
608



66



66
RADIUS



66
SEGMENT



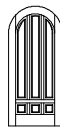
66
HALF SEGMENT



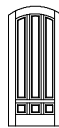
160



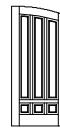
180



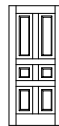
180
RADIUS



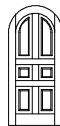
180
SEGMENT



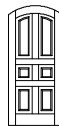
180
HALF SEGMENT



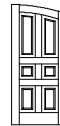
430



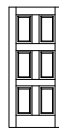
430
RADIUS



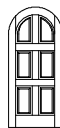
430
SEGMENT



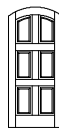
430
HALF SEGMENT



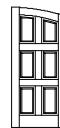
608



608
RADIUS



608
SEGMENT



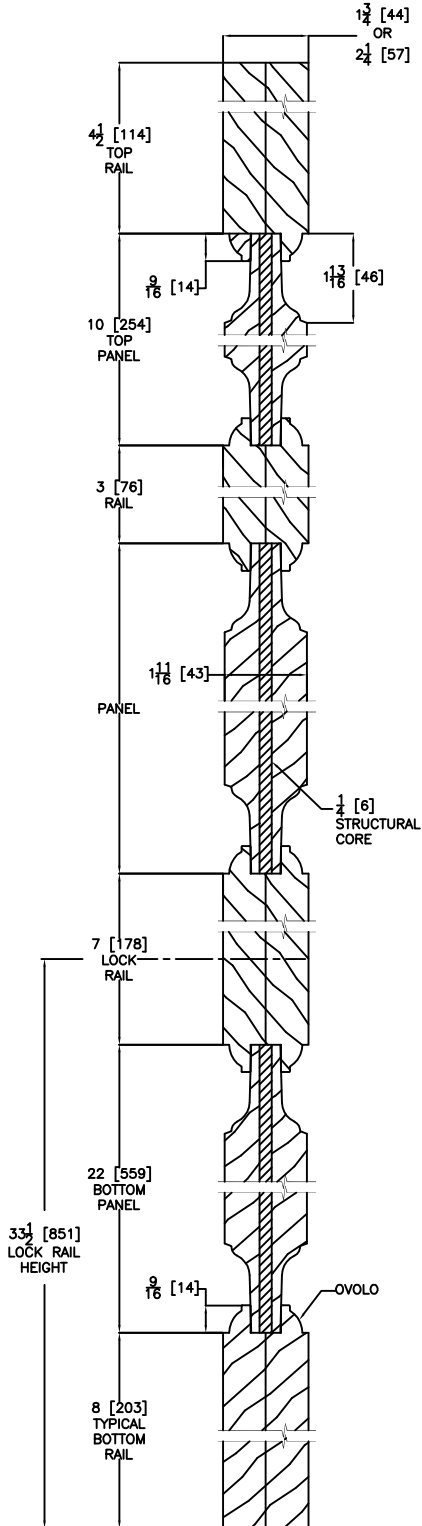
608
HALF SEGMENT

ELEVATION NOTES

Door Size = Book Size Before Prefit
 Daylight Opening (DLO) = Visible Glass
 Values in brackets [] are millimeter conversions.

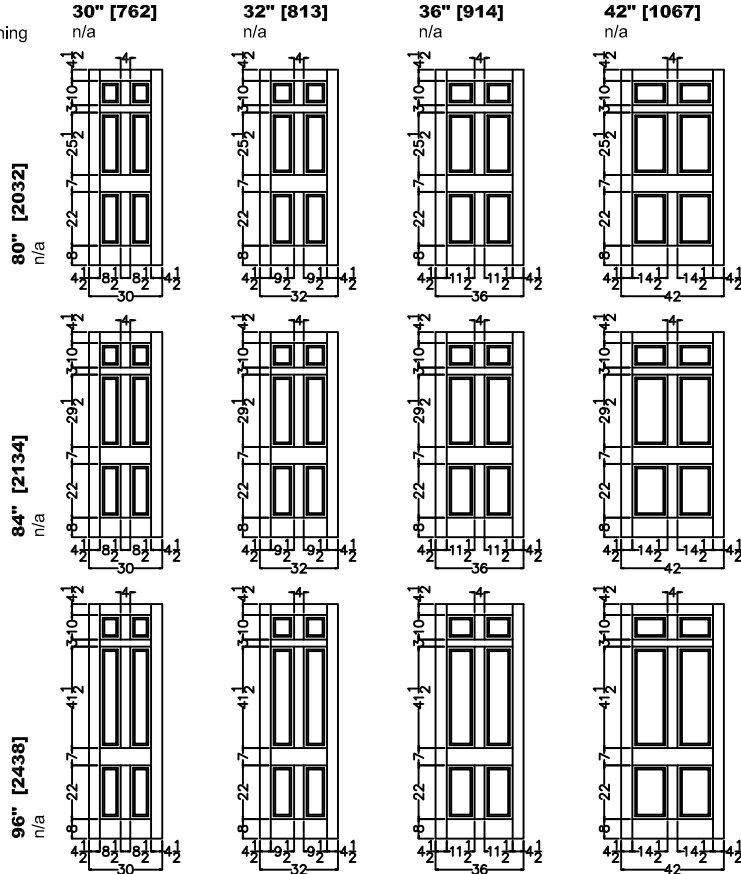
DOOR CROSS-SECTION

Moulding Profile = Ovolo Sticking
 Panel Profile = Double Hip
 See 66 Cross Section sheet for more detail.



VERTICAL DOOR CROSS SECTION

Door Size
 Daylight Opening

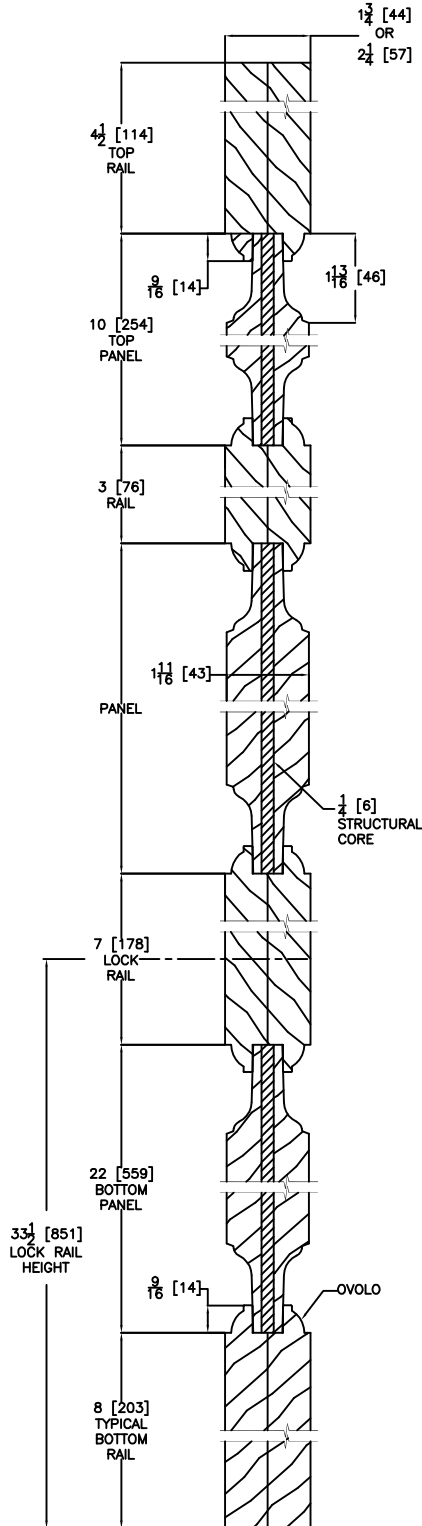


ELEVATION NOTES

Door Size = Book Size Before Prefit
 Daylight Opening (DLO) = Visible Glass
 Values in brackets [] are millimeter conversions.

DOOR CROSS-SECTION

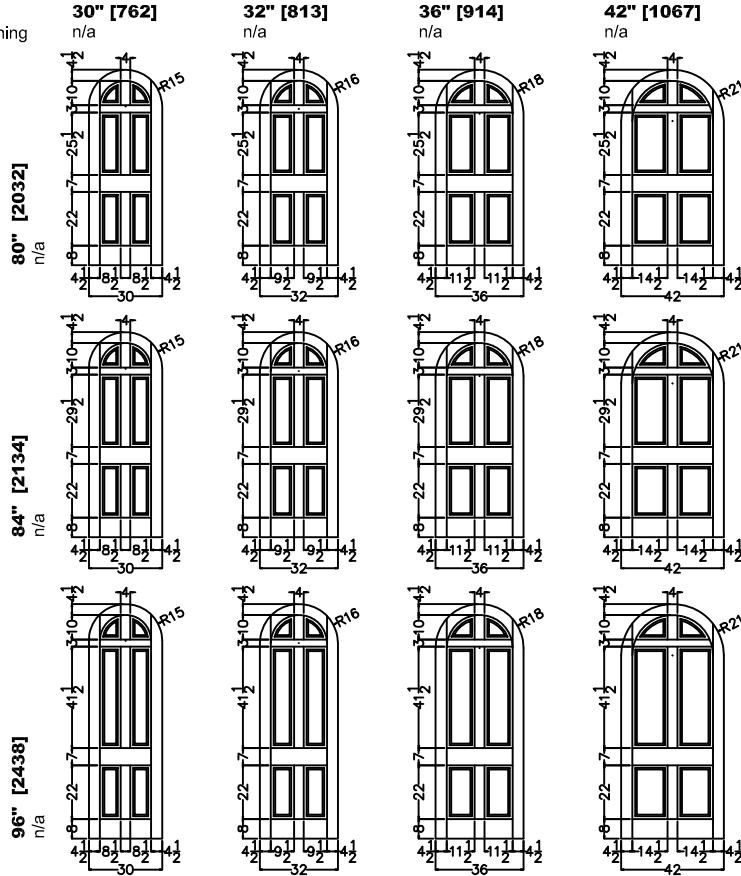
Moulding Profile = Ovolo Sticking
 Panel Profile = Double Hip
 See 66 Cross Section sheet for more detail.



VERTICAL DOOR CROSS SECTION

RADIUS

Door Size
 Daylight Opening

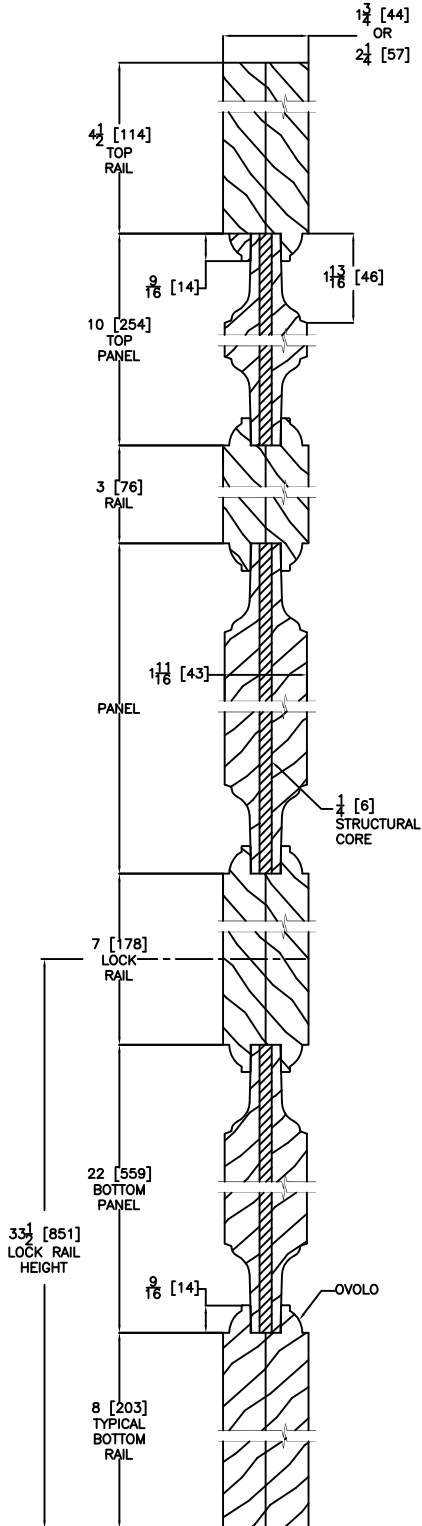


ELEVATION NOTES

Door Size = Book Size Before Prefit
 Daylight Opening (DLO) = Visible Glass
 Values in brackets [] are millimeter conversions.

DOOR CROSS-SECTION

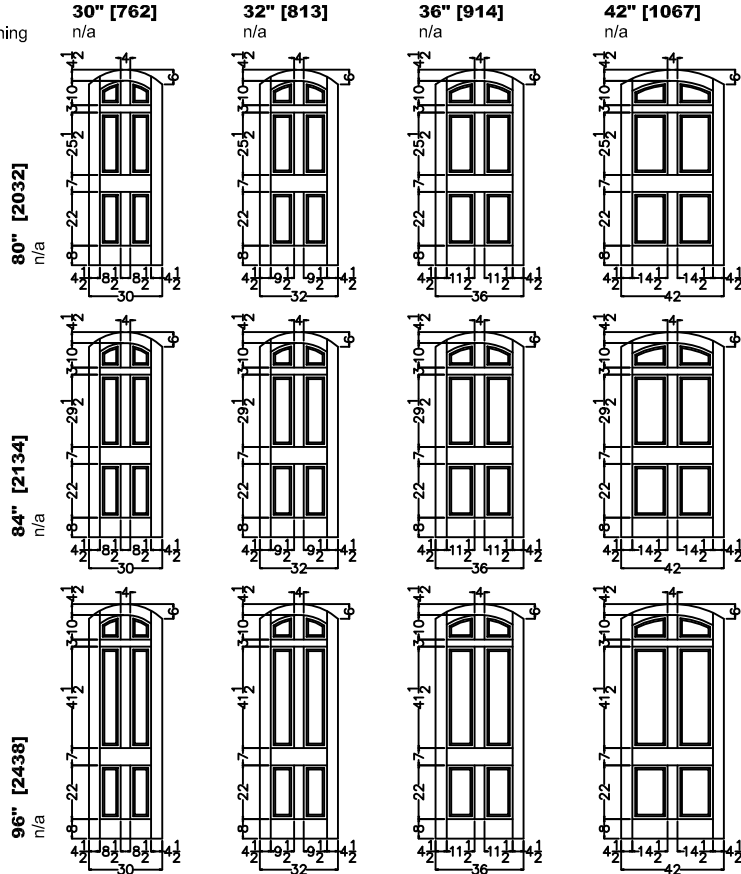
Moulding Profile = Ovolo Sticking
 Panel Profile = Double Hip
 See 66 Cross Section sheet for more detail.



VERTICAL DOOR CROSS SECTION

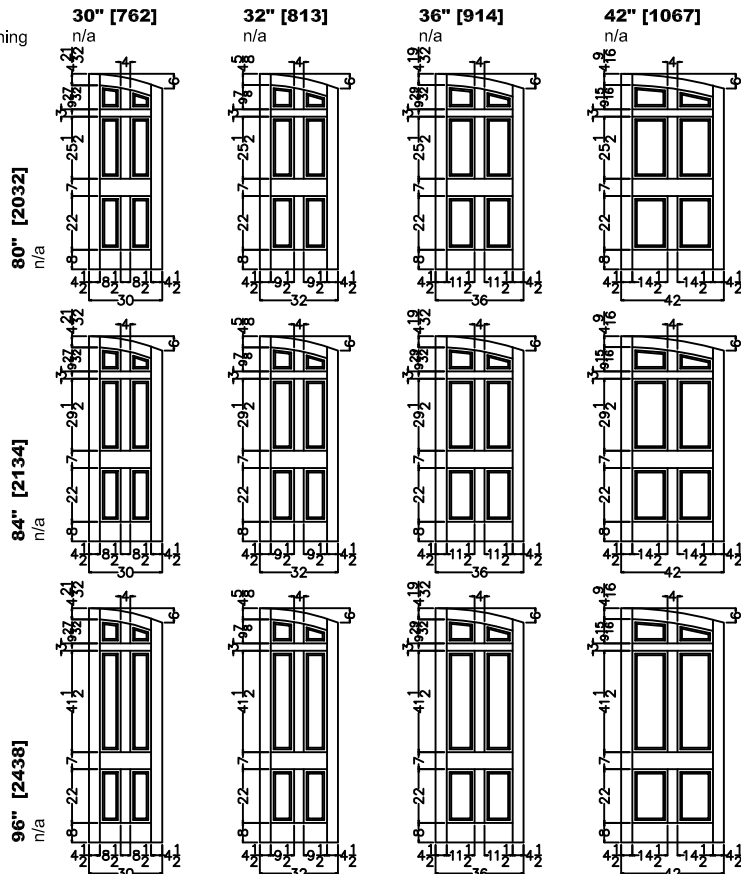
SEGMENT

Door Size
 Daylight Opening



HALF SEGMENT

Door Size
 Daylight Opening

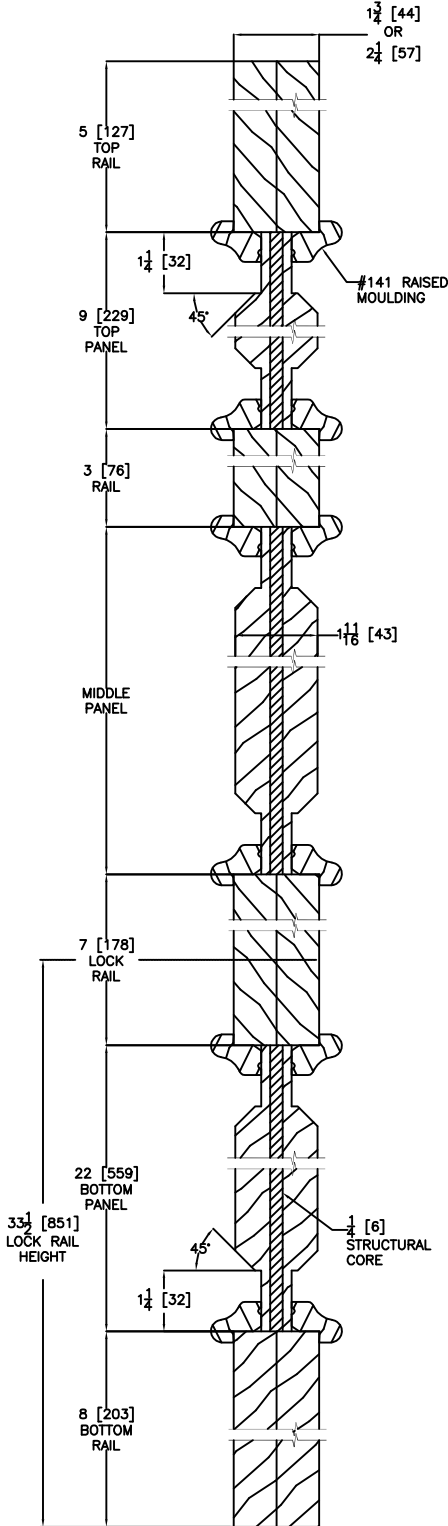


ELEVATION NOTES

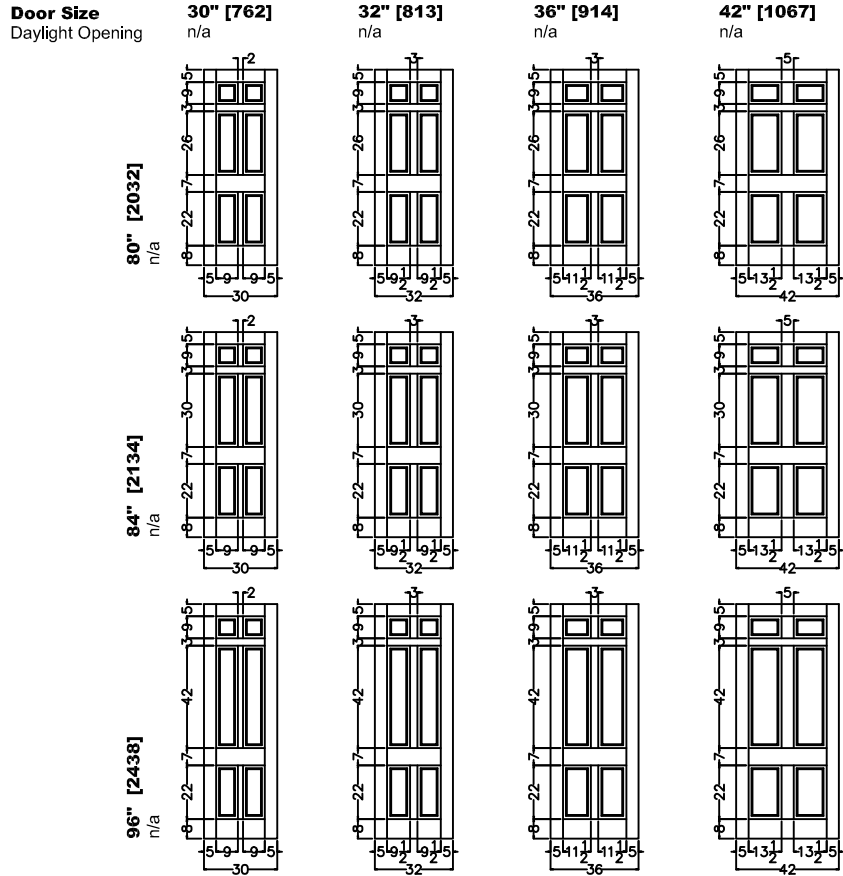
Door Size = Book Size Before Prefit
 Daylight Opening (DLO) = Visible Glass
 Values in brackets [] are millimeter conversions.

DOOR CROSS-SECTION

Moulding Profile = 141
 Panel Profile = 45 Degree
 See 160 Cross Section sheet for more detail.



VERTICAL DOOR CROSS SECTION

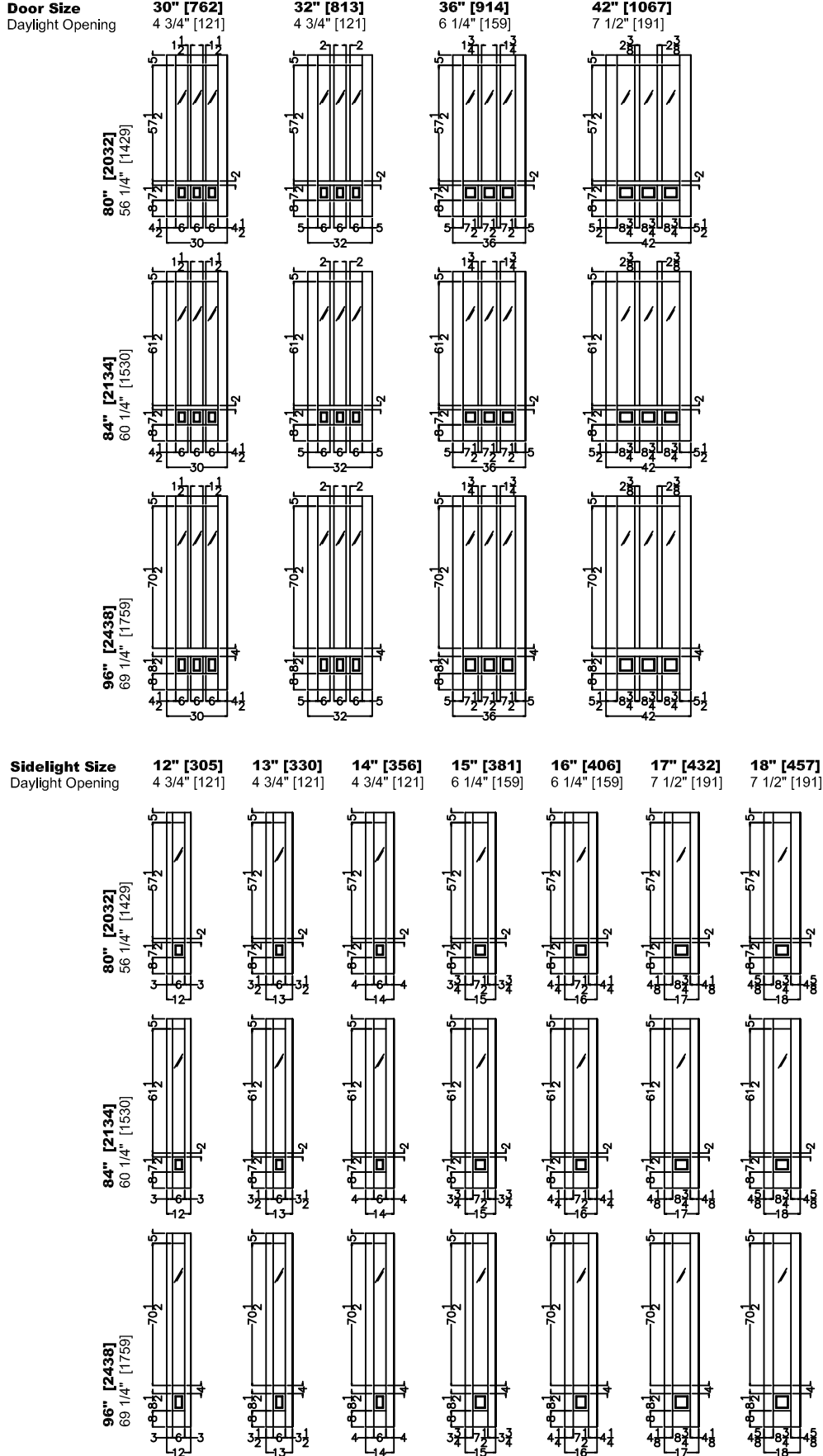
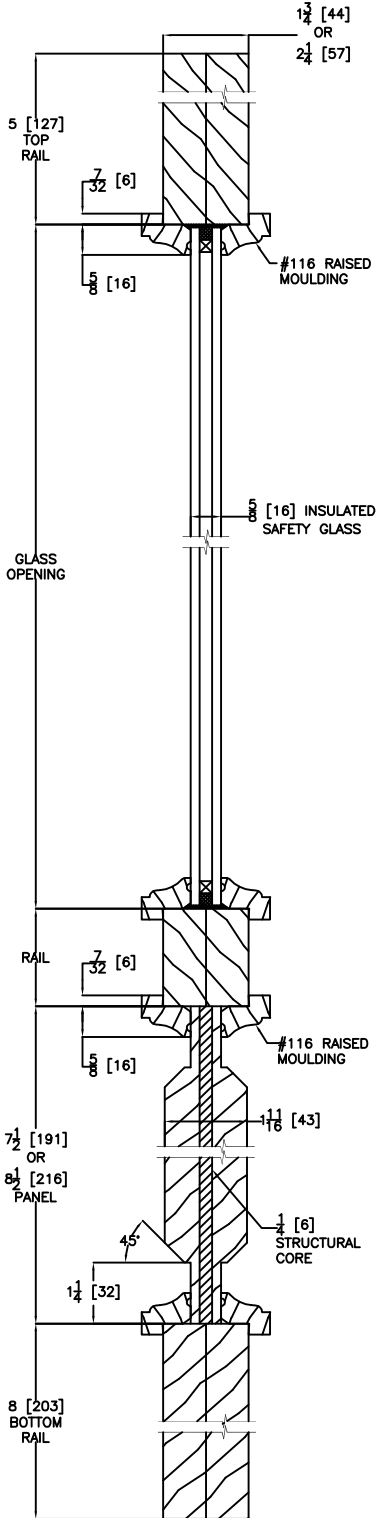


ELEVATION NOTES

Door Size = Book Size Before Prefit
 Daylight Opening (DLO) = Visible Glass
 Values in brackets [] are millimeter conversions.

DOOR CROSS-SECTION

Moulding Profile = 116
 Panel Profile = 45 Degree
 See 180 Cross Section sheet for more detail.



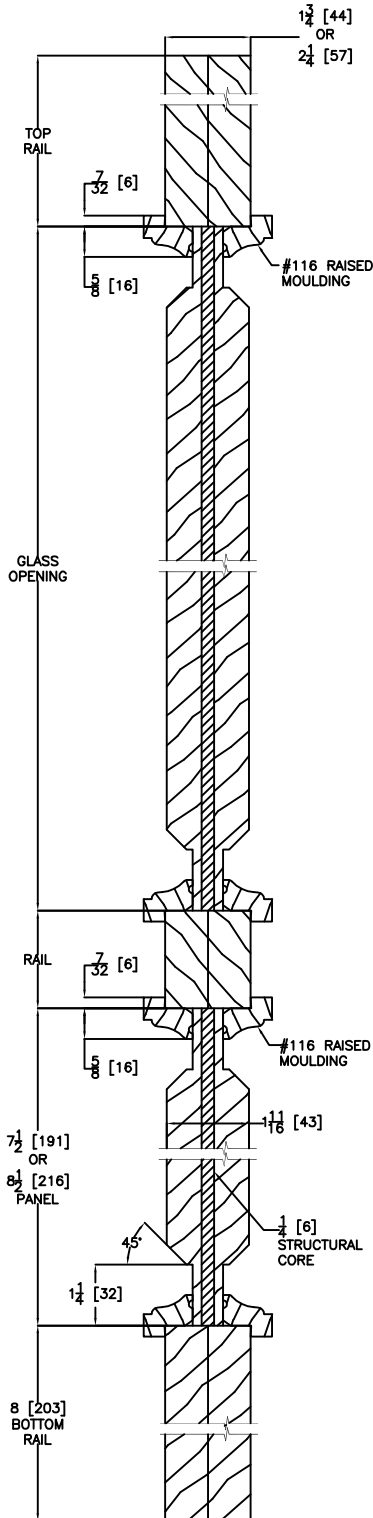
VERTICAL DOOR/SIDELIGHT CROSS SECTION
 Insulated Glass

ELEVATION NOTES

Door Size = Book Size Before Prefit
 Daylight Opening (DLO) = Visible Glass
 Values in brackets [] are millimeter conversions.

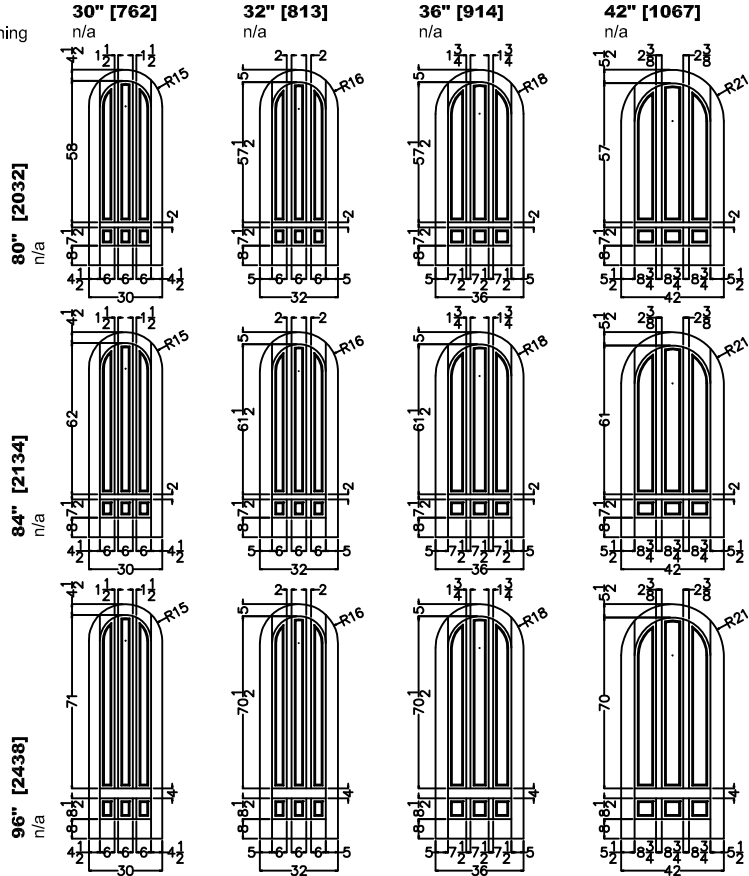
DOOR CROSS-SECTION

Moulding Profile = 116
 Panel Profile = 45 Degree
 See 180 Cross Section sheet for more detail.



RADIUS

Door Size
 Daylight Opening



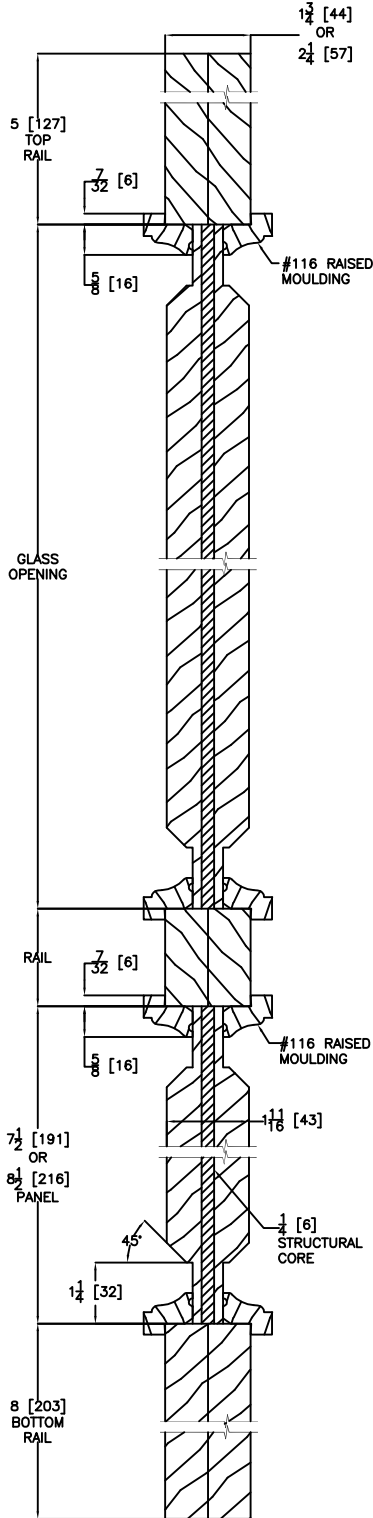
VERTICAL DOOR CROSS SECTION

ELEVATION NOTES

Door Size = Book Size Before Prefit
 Daylight Opening (DLO) = Visible Glass
 Values in brackets [] are millimeter conversions.

DOOR CROSS-SECTION

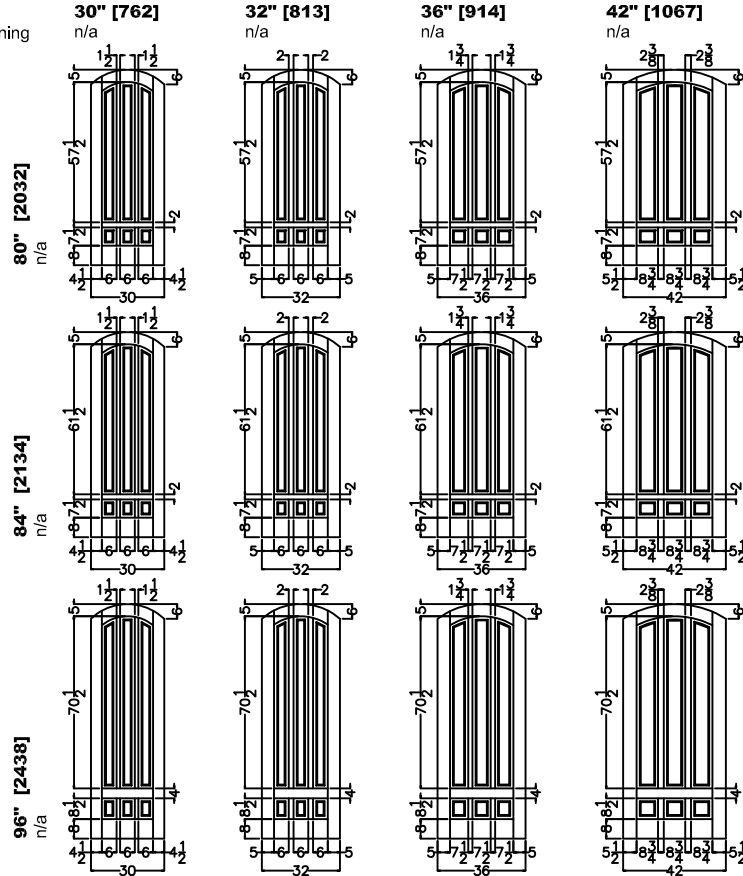
Moulding Profile = 116
 Panel Profile = 45 Degree
 See 180 Cross Section sheet for more detail.



VERTICAL DOOR CROSS SECTION

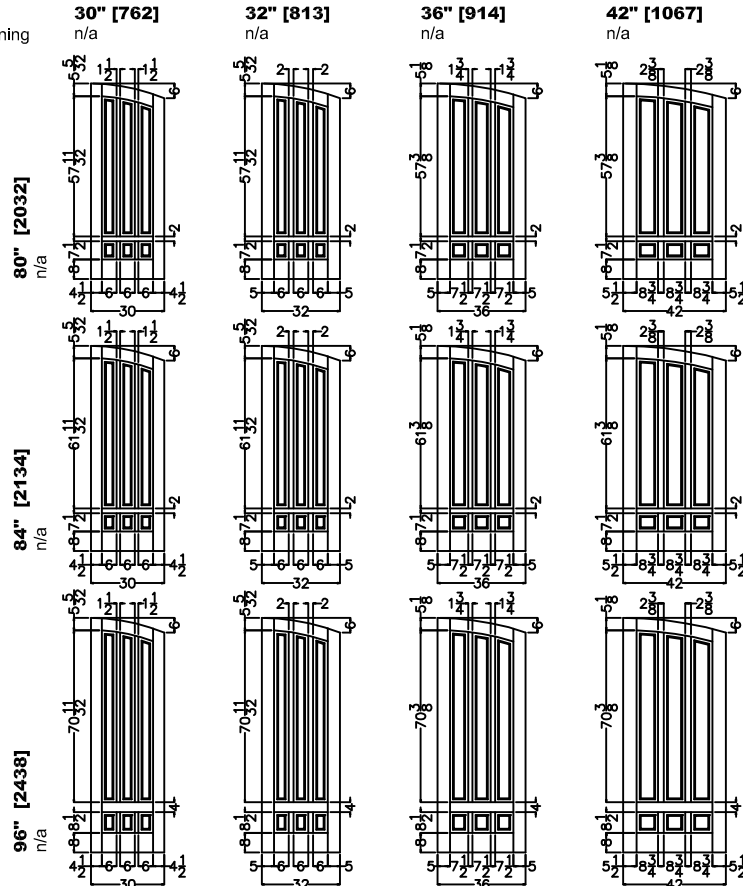
SEGMENT

Door Size
 Daylight Opening



HALF SEGMENT

Door Size
 Daylight Opening

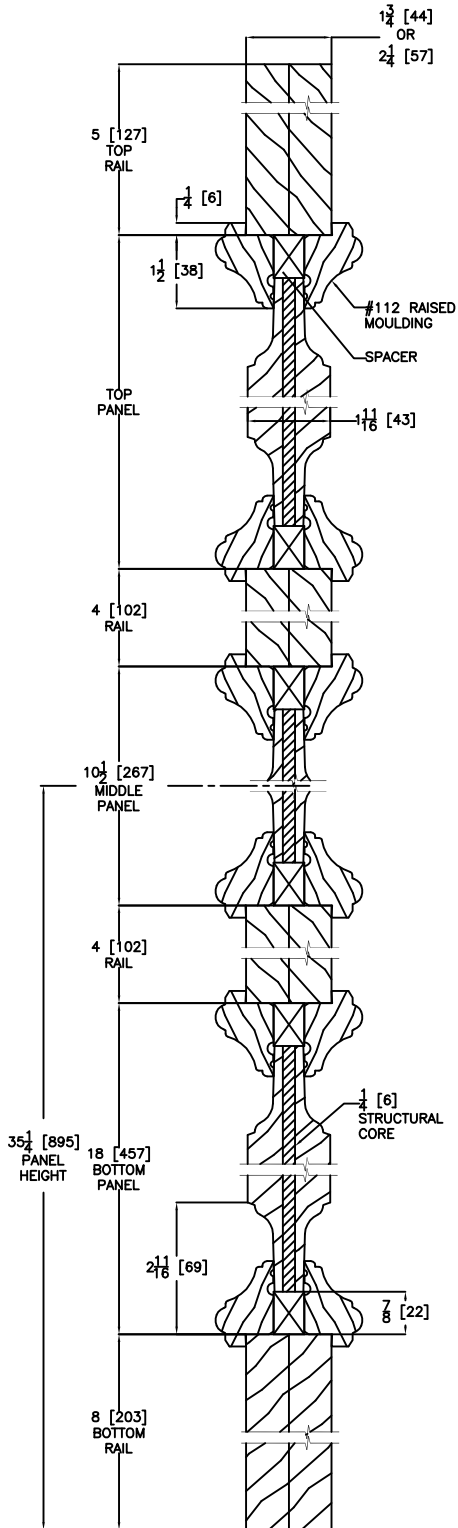


ELEVATION NOTES

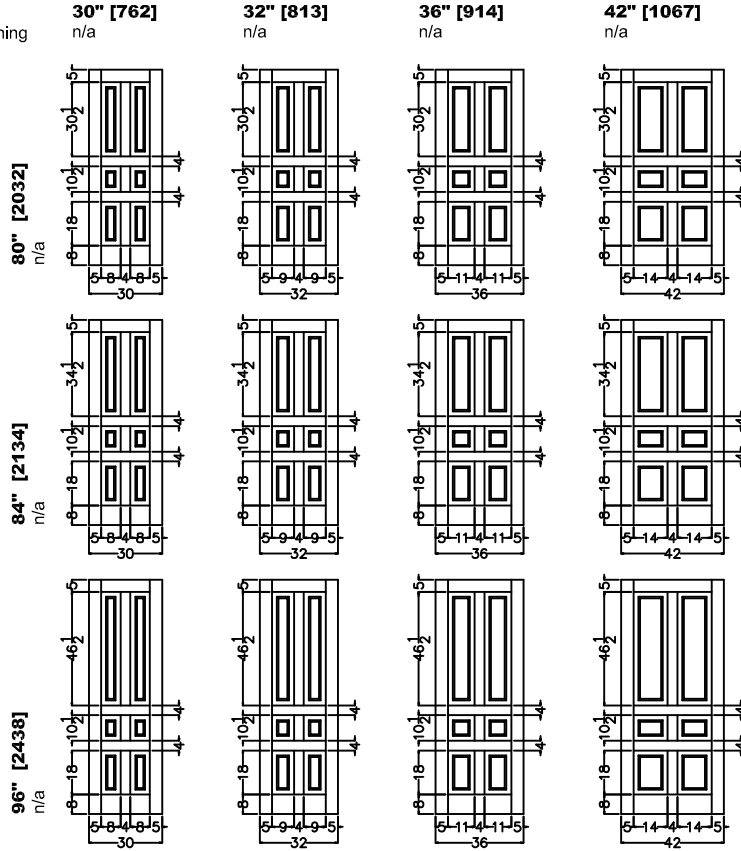
Door Size = Book Size Before Prefit
 Daylight Opening (DLO) = Visible Glass
 Values in brackets [] are millimeter conversions.

DOOR CROSS-SECTION

Moulding Profile = 112
 Panel Profile = Double Hip
 See 430 Cross Section sheet for more detail.

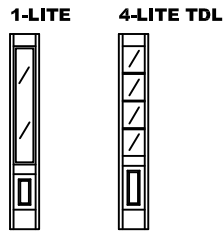


Door Size
 Daylight Opening



SIDELIGHT OPTIONS

See 430 Sidelight Drawing

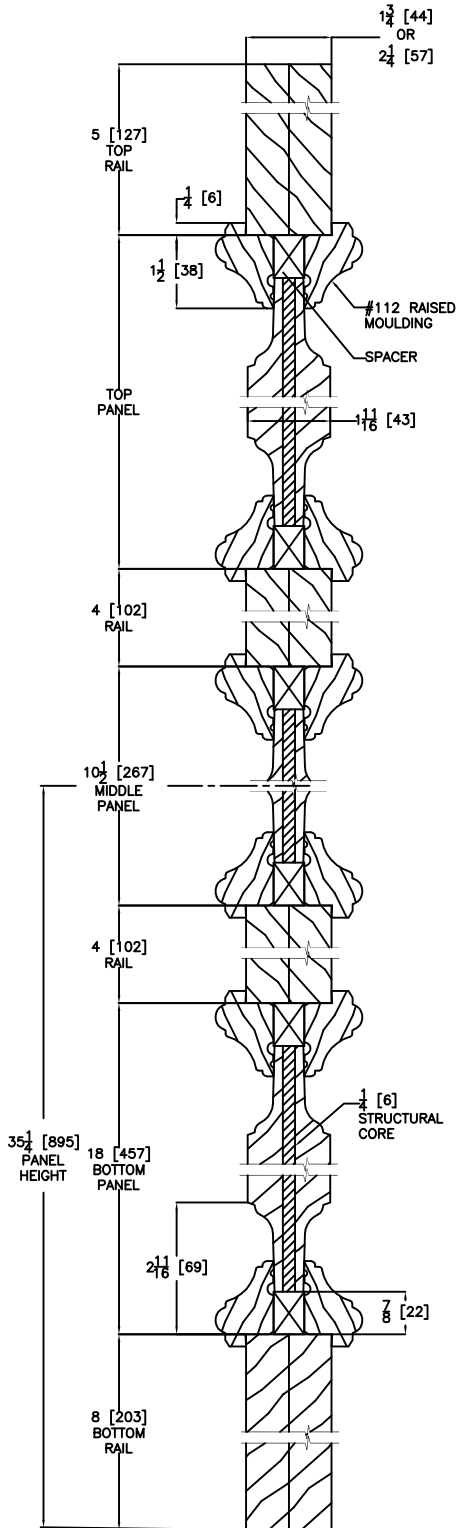


ELEVATION NOTES

Door Size = Book Size Before Prefit
 Daylight Opening (DLO) = Visible Glass
 Values in brackets [] are millimeter conversions.

DOOR CROSS-SECTION

Moulding Profile = 112 / Ovolo
 Panel Profile = Double Hip
 See 430 Cross Section sheet for more detail.



VERTICAL DOOR CROSS SECTION

1-LITE / 1-PANEL

Sidelight Size Daylight Opening	12" [305] 6" [152]	13" [330] 6" [152]	14" [356] 6" [152]	15" [381] 8" [203]	16" [406] 8" [203]	17" [432] 8" [203]	18" [457] 8" [203]
80" [2032] 45 1/2" [1156]							
84" [2134] 49 1/2" [1257]							
96" [2438] 61 1/2" [1562]							

4-LITE TD / 1-PANEL

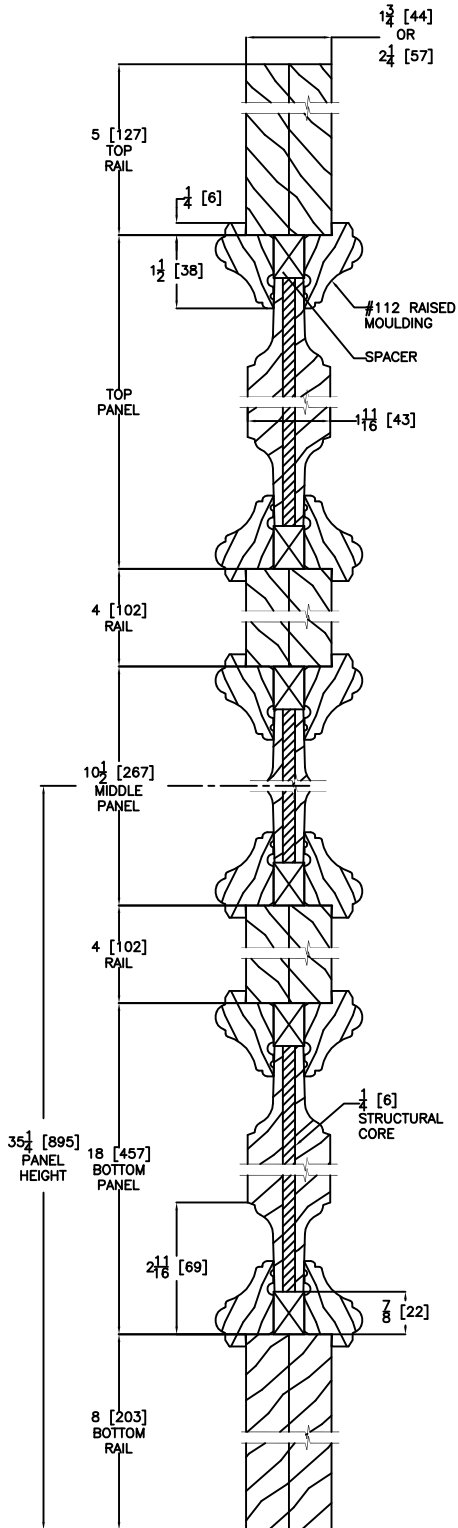
Sidelight Size Daylight Opening	12" [305] 7 7/8" [200]	13" [330] 7 7/8" [200]	14" [356] 7 7/8" [200]	15" [381] 7 7/8" [200]	16" [406] 9 7/8" [251]	17" [432] 9 7/8" [251]	18" [457] 9 7/8" [251]
80" [2032] 9 3/4" [248]							
84" [2134] 10 3/4" [273]							
96" [2438] 13 3/4" [349]							

ELEVATION NOTES

Door Size = Book Size Before Prefit
 Daylight Opening (DLO) = Visible Glass
 Values in brackets [] are millimeter conversions.

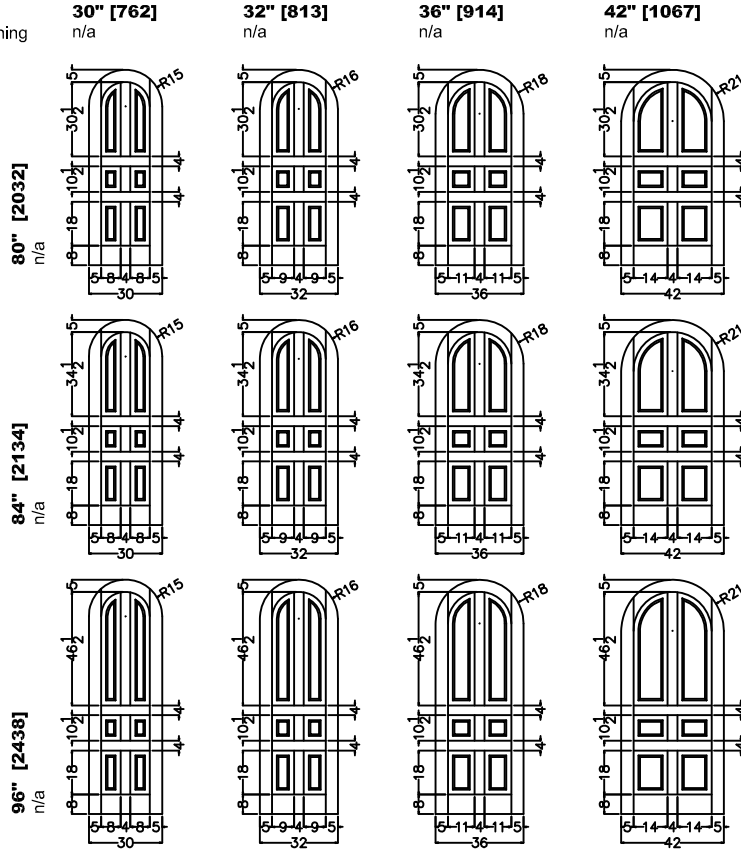
DOOR CROSS-SECTION

Moulding Profile = 112
 Panel Profile = Double Hip
 See 430 Cross Section sheet for more detail.



RADIUS

Door Size
 Daylight Opening



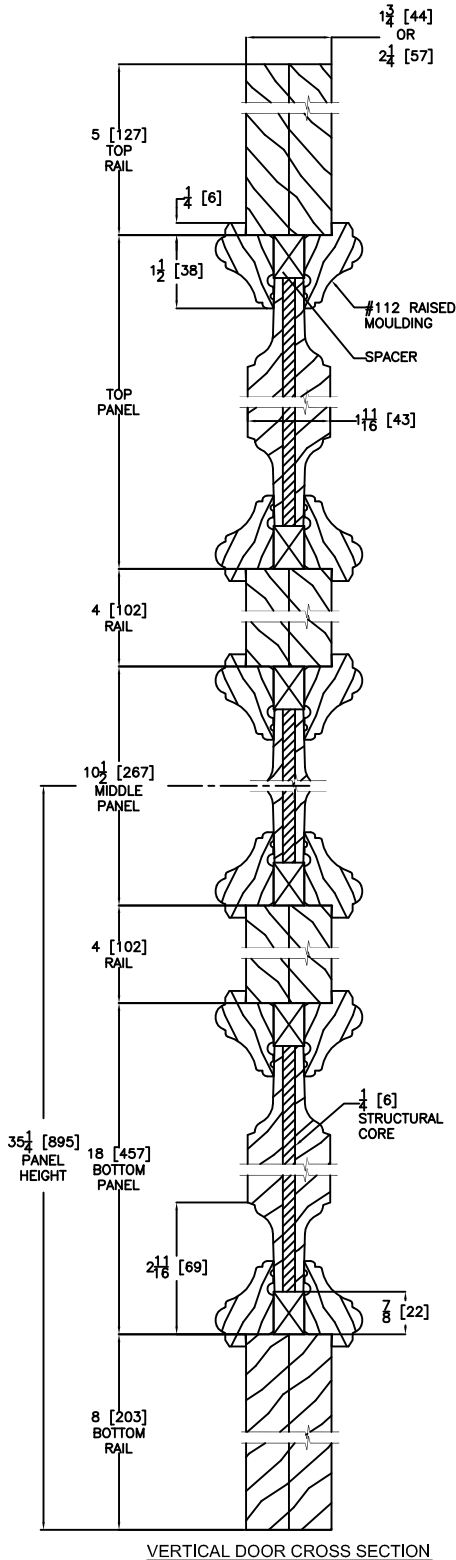
VERTICAL DOOR CROSS SECTION

ELEVATION NOTES

Door Size = Book Size Before Prefit
 Daylight Opening (DLO) = Visible Glass
 Values in brackets [] are millimeter conversions.

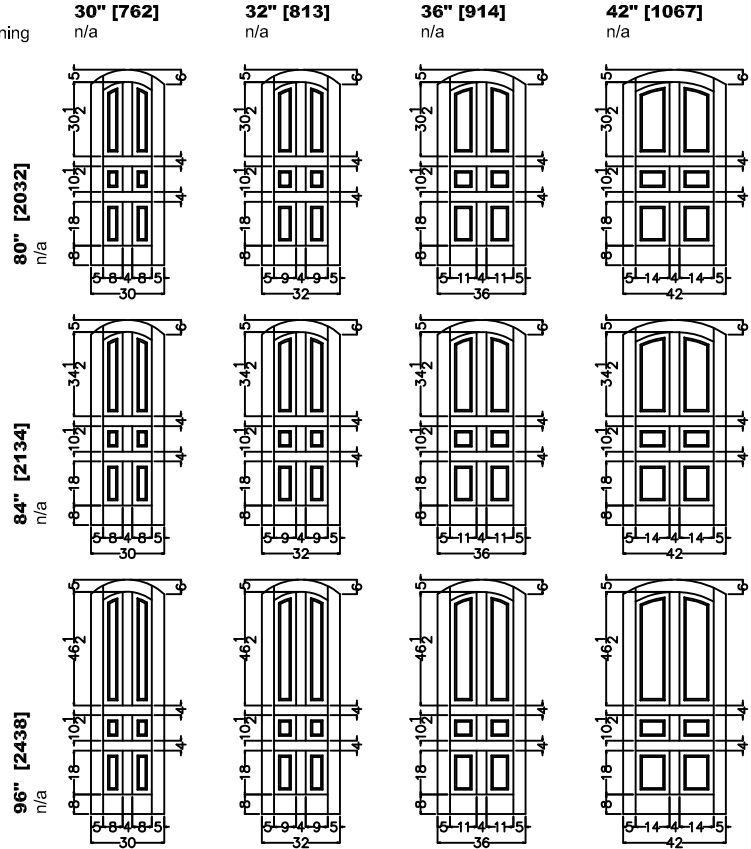
DOOR CROSS-SECTION

Moulding Profile = 112
 Panel Profile = Double Hip
 See 430 Cross Section sheet for more detail.



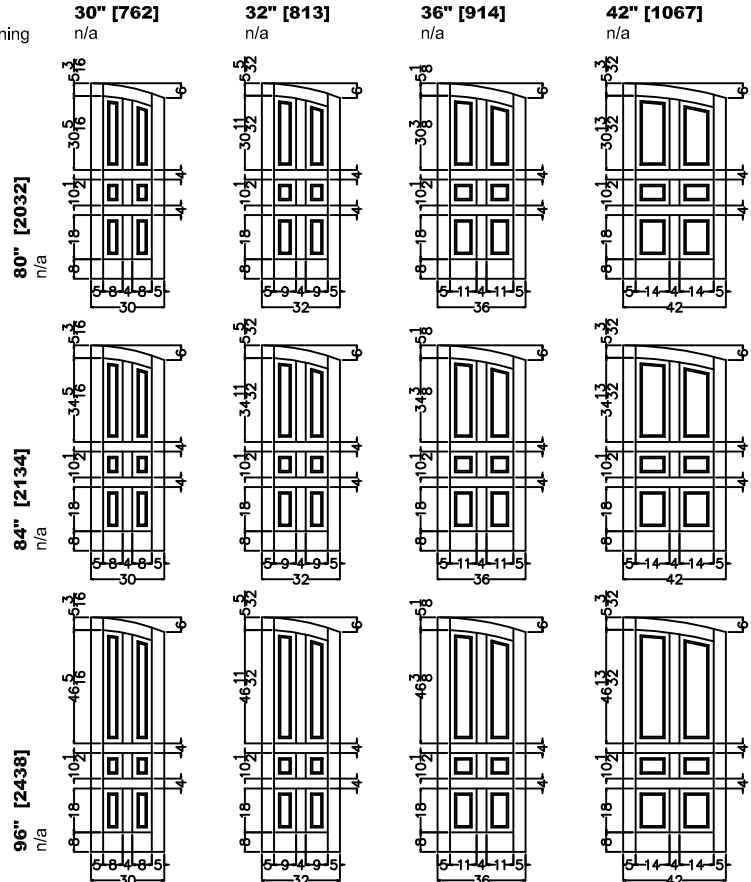
SEGMENT

Door Size
 Daylight Opening



HALF SEGMENT

Door Size
 Daylight Opening

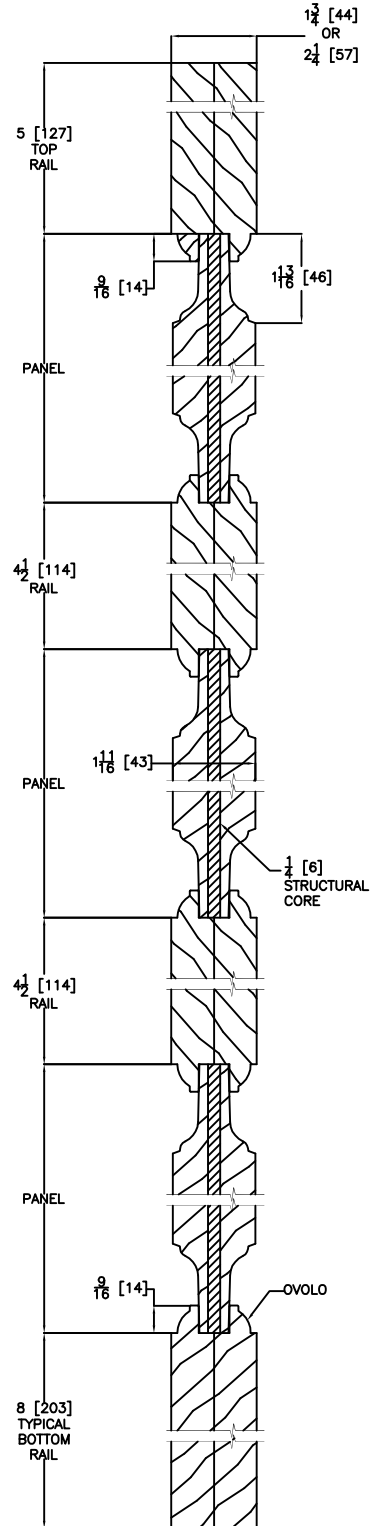


ELEVATION NOTES

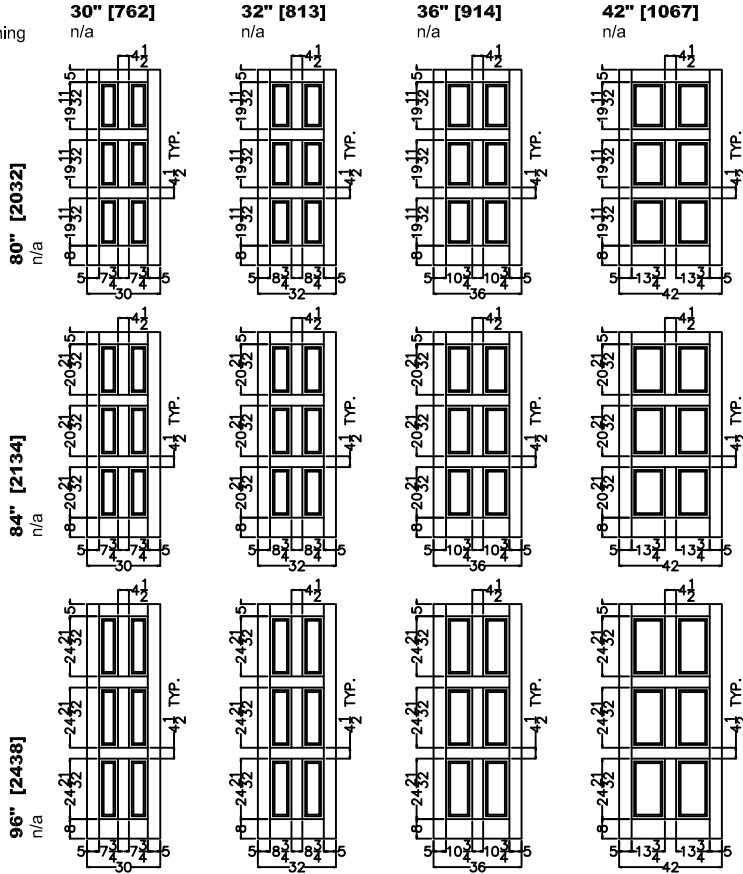
Door Size = Book Size Before Prefit
 Daylight Opening (DLO) = Visible Glass
 Values in brackets [] are millimeter conversions.

DOOR CROSS-SECTION

Moulding Profile = Ovolo Sticking
 Panel Profile = Double Hip
 See 608 Cross Section sheet for more detail.



Door Size
 Daylight Opening



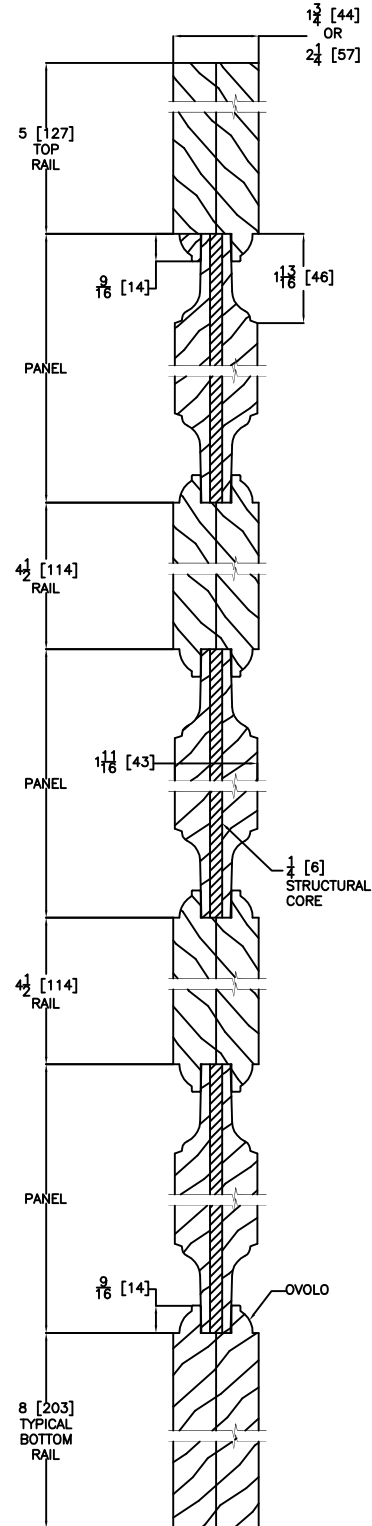
VERTICAL DOOR CROSS SECTION

ELEVATION NOTES

Door Size = Book Size Before Prefit
 Daylight Opening (DLO) = Visible Glass
 Values in brackets [] are millimeter conversions.

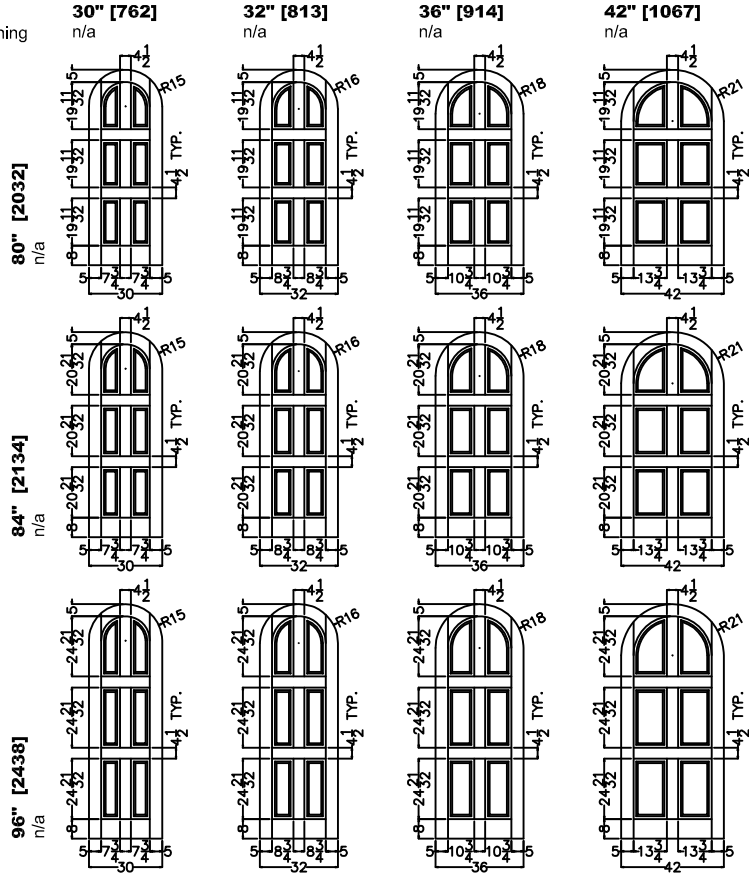
DOOR CROSS-SECTION

Moulding Profile = Ovolo Sticking
 Panel Profile = Double Hip
 See 608 Cross Section sheet for more detail.



RADIUS

Door Size
 Daylight Opening



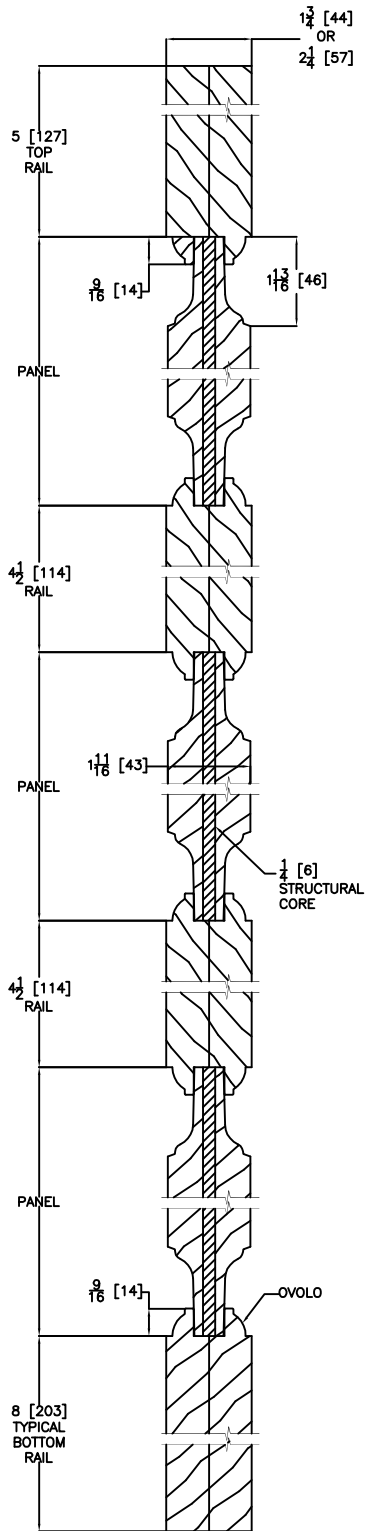
VERTICAL DOOR CROSS SECTION

ELEVATION NOTES

Door Size = Book Size Before Prefit
 Daylight Opening (DLO) = Visible Glass
 Values in brackets [] are millimeter conversions.

DOOR CROSS-SECTION

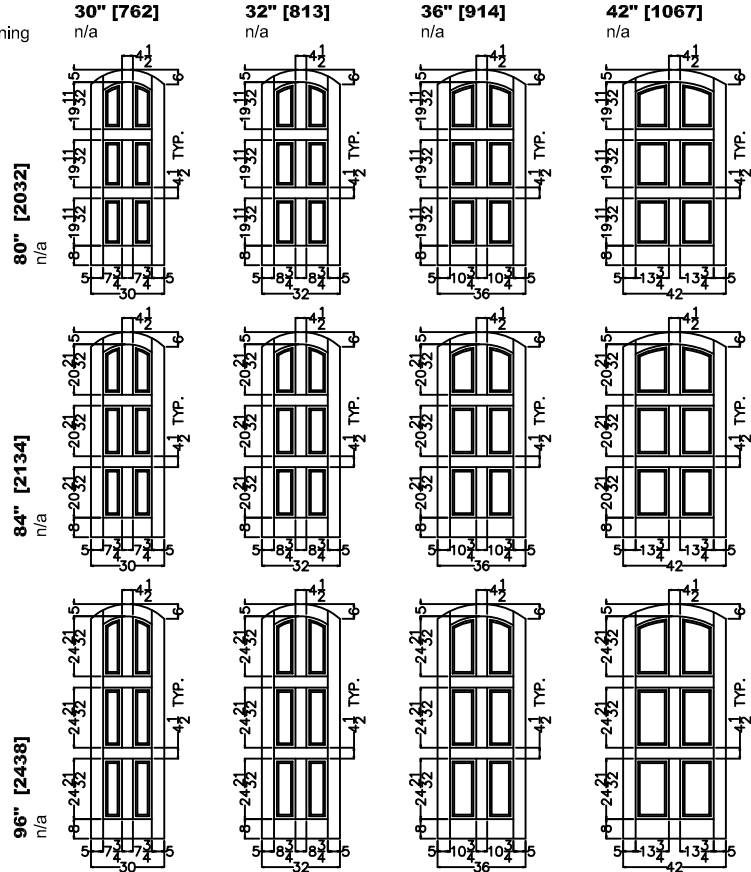
Moulding Profile = Ovolo Sticking
 Panel Profile = Double Hip
 See 608 Cross Section sheet for more detail.



VERTICAL DOOR CROSS SECTION

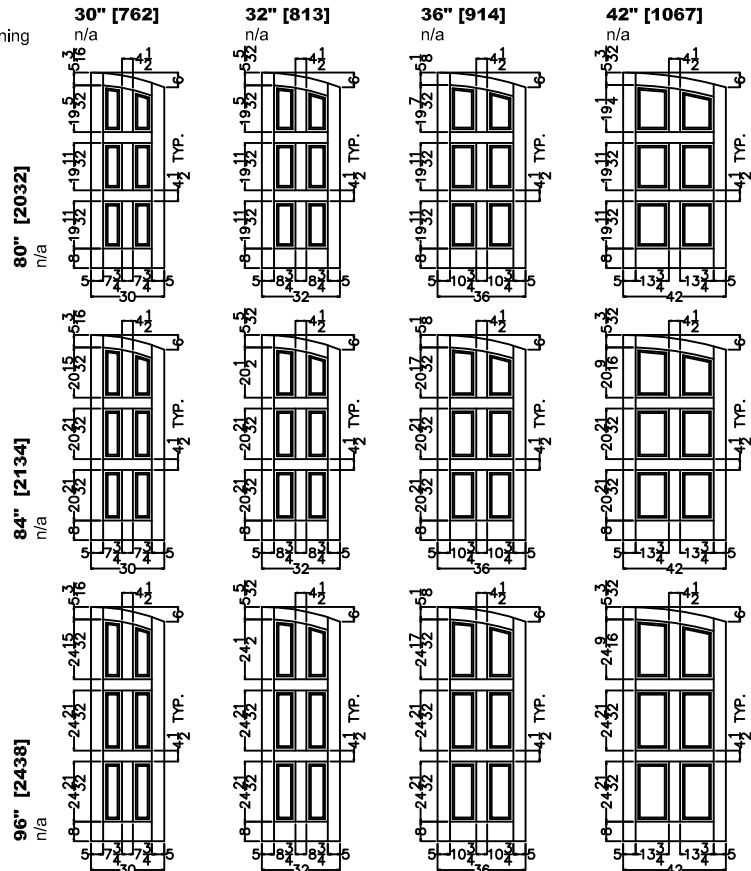
SEGMENT

Door Size
 Daylight Opening



HALF SEGMENT

Door Size
 Daylight Opening



DECORATIVE ACCENTS



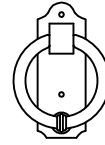
ROUND CLAVOS

Size Options: 1" diameter, 1.75" diameter
Finish Options: Dark Patina, Rust Patina
Material: Aluminum with Powder Coat Finish



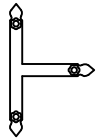
DIAMOND CLAVOS

Size Options: 1", 1.75"
Finish Options: Dark Patina, Rust Patina
Material: Aluminum with Powder Coat Finish



COLONIAL DOOR KNOCKER

Base: 2" Wide x 5 5/8" Tall, Handle: 4" Wide
Finish Options: Dark Patina, Rust Patina
Material: Iron



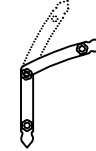
RAIL STRAP

Finish Options: Dark Patina, Rust Patina
Material: Aluminum with Powder Coat Finish



CORNER STRAP

Finish Options: Dark Patina, Rust Patina
Material: Aluminum with Powder Coat Finish

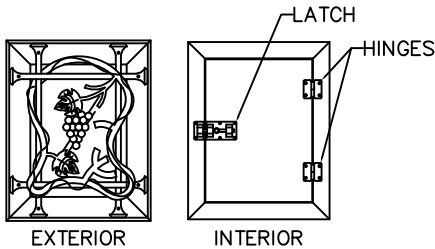


RADIUS STRAP

Finish Options: Dark Patina, Rust Patina
Material: Aluminum with Powder Coat Finish
Adjustable for Segment/Radius Shapes

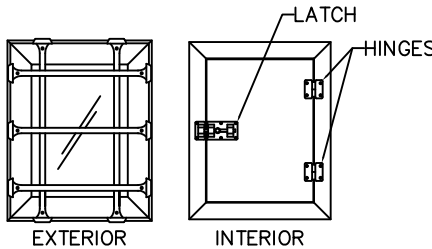
SPEAKEASY/DOOR LIGHT

Glass Options: Clear IG, Clear SG, Bevel IG, Bevel SG, Glue Chip IG,
Low E IG, Rain IG, Reed IG, Frosted IG, Open for Glass
Handing: Will be Handed to Match the Door unless Otherwise Specified
Frame Size: 11 3/4" x 14 3/4", Daylight Opening: 8" x 11", Actual Glass Size: 8 7/8" x 11 7/8"



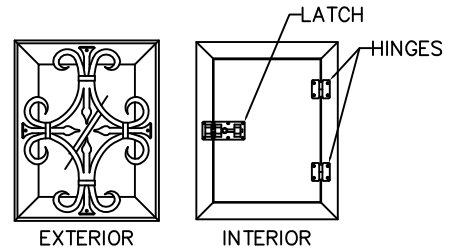
SPEAKEASY, BORDEAUX GRILLE

Hardware Finish Options: Dark Patina, Rust Patina
Material: Wood Frame / Iron Hardware



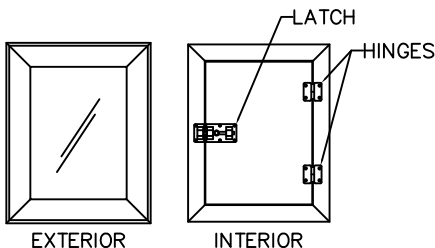
SPEAKEASY, RUSTIC GRILLE

Hardware Finish Options: Dark Patina, Rust Patina
Material: Wood Frame / Iron Hardware



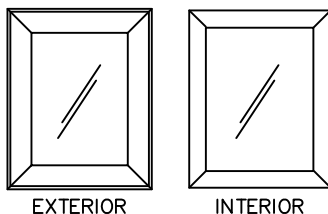
SPEAKEASY, SEVILLE GRILLE

Hardware Finish Options: Dark Patina, Rust Patina
Material: Wood Frame / Iron Hardware



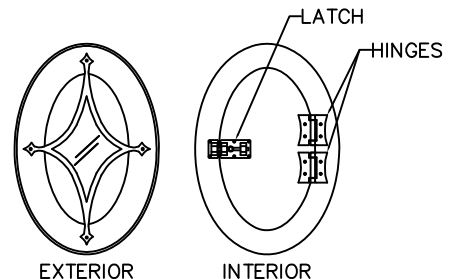
SPEAKEASY (NO GRILLE)

Hardware Finish Options: Dark Patina, Rust Patina
Material: Wood Frame / Iron Hardware



RECTANGLE DOOR LIGHT

Hardware Finish Options: n/a
Material: Wood Frame
Available with All Speakeasy Grilles



OVAL SPEAKEASY, VICTORIAN GRILLE

Hardware Finish Options: Dark Patina, Rust Patina
Material: Wood Frame / Iron Hardware
Frame Size: 12" x 17 1/2"



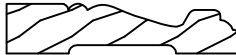
#20 CASING
2 1/4" X 1 1/8"



#20 w/ STUCCO KEY
2 1/4" X 1 1/8"



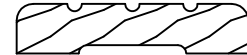
#22 CASING
2" X 1 1/8"



#13 CASING
3 1/2" X 3/4"



#14 CASING
2 1/4" X 3/4"



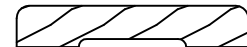
#15 CASING
3 1/2" X 3/4"



#16 CASING
2 1/4" X 3/4"



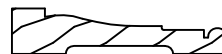
#17 CASING
4 1/2" X 1 3/16"



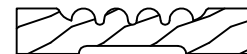
#21 CASING
3 1/2" X 5/8"



#23 CASING
3 1/2" X 1 1/8"



#24 CASING
3 1/4" X 11/16"



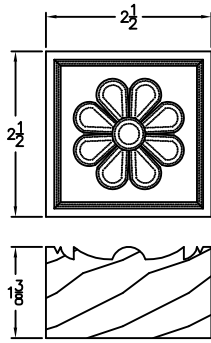
#25 CASING
3 1/2" X 11/16"

Notes:

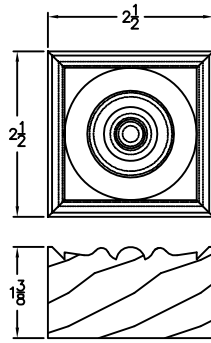
Shown here are standard trim options.

Special size casing or custom profile casing may be available upon request.

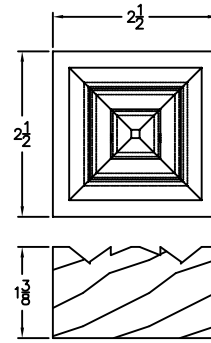
EXTERIOR CORNER BLOCK



"A" BLOCK
2 1/2" X 2 1/2"

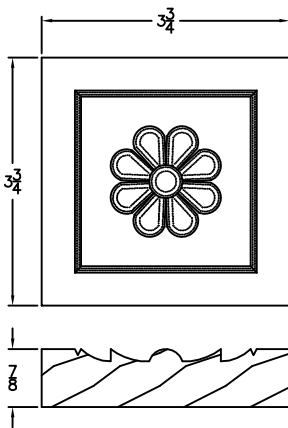


"B" BLOCK
2 1/2" X 2 1/2"

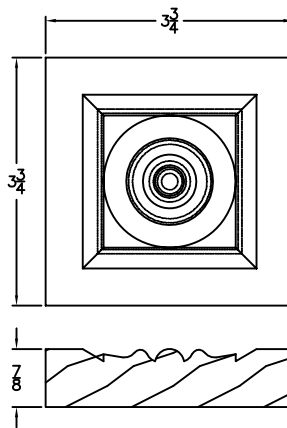


"C" BLOCK
2 1/2" X 2 1/2"

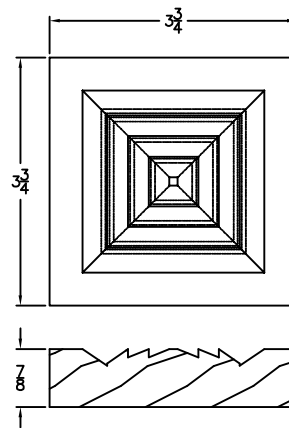
INTERIOR CORNER BLOCK



"A" BLOCK
3 3/4" X 3 3/4"



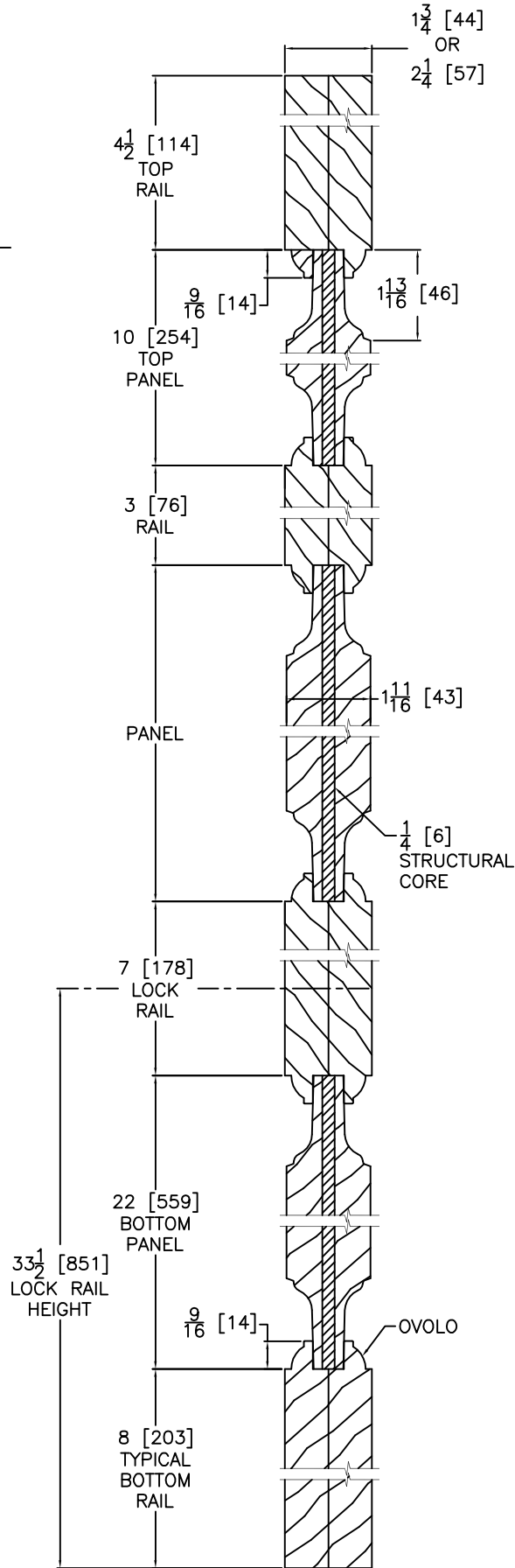
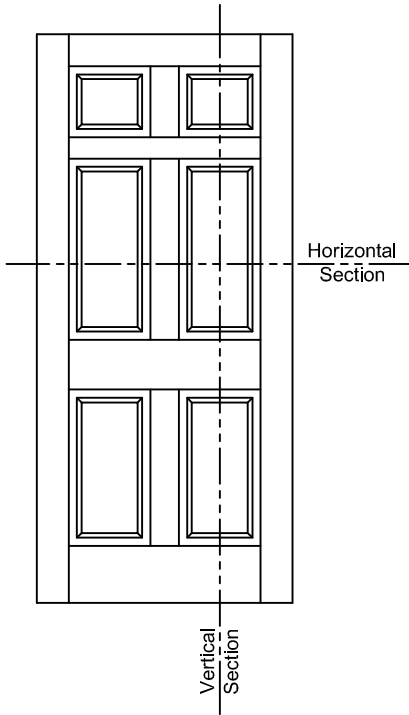
"B" BLOCK
3 3/4" X 3 3/4"



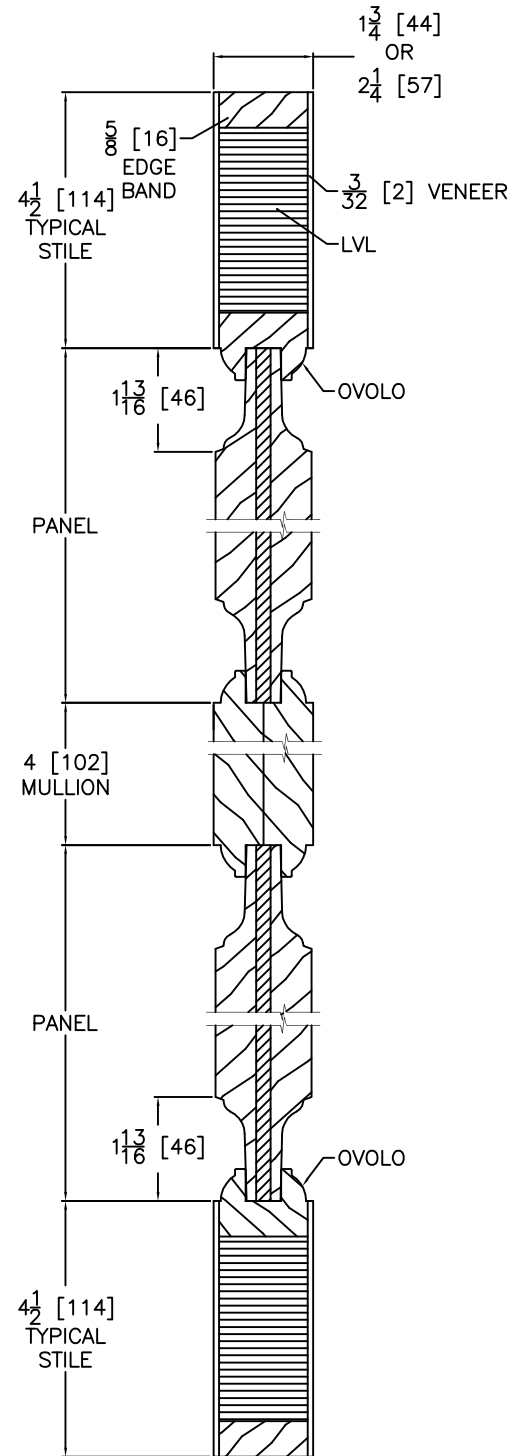
"C" BLOCK
3 3/4" X 3 3/4"

Notes:

Interior corner block may be used for exterior application and vice versa.

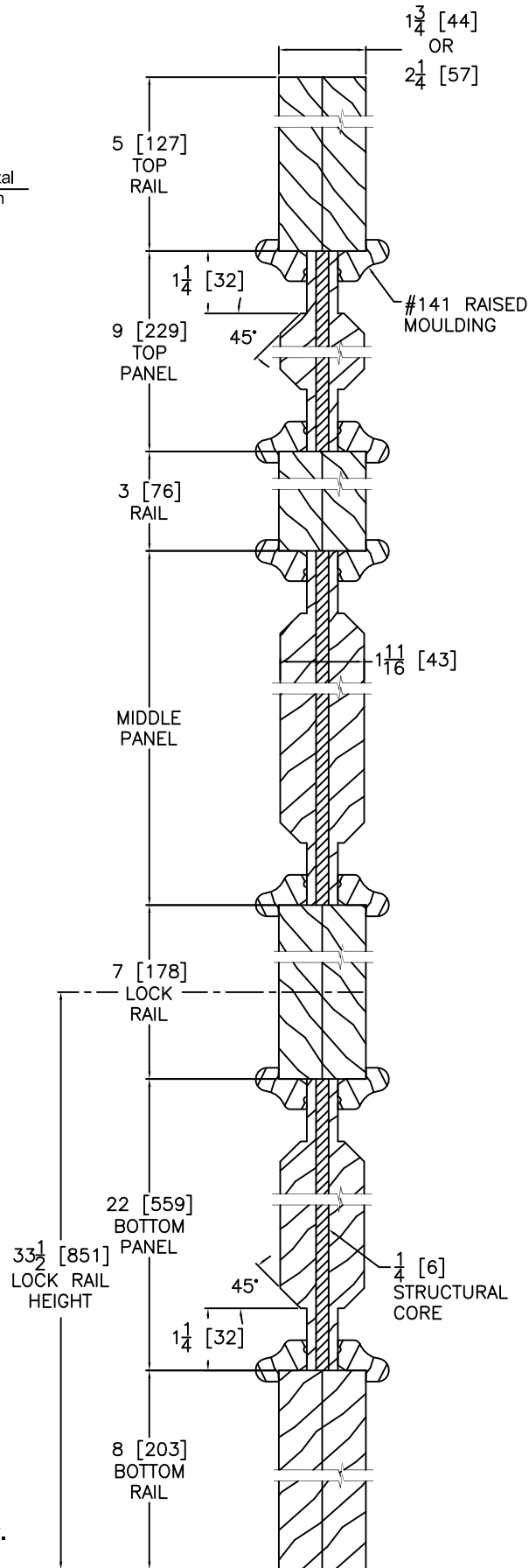
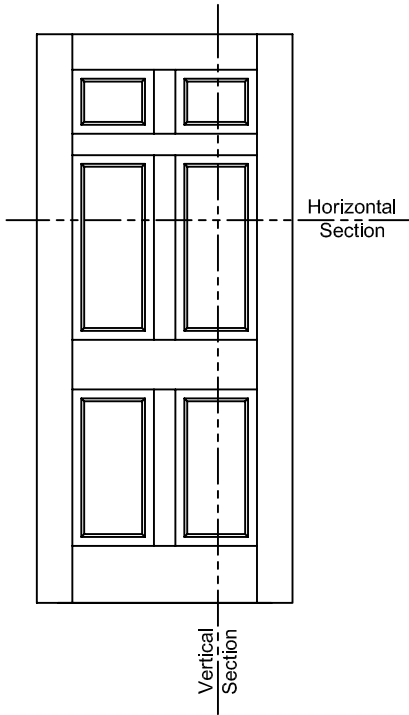


VERTICAL DOOR CROSS SECTION

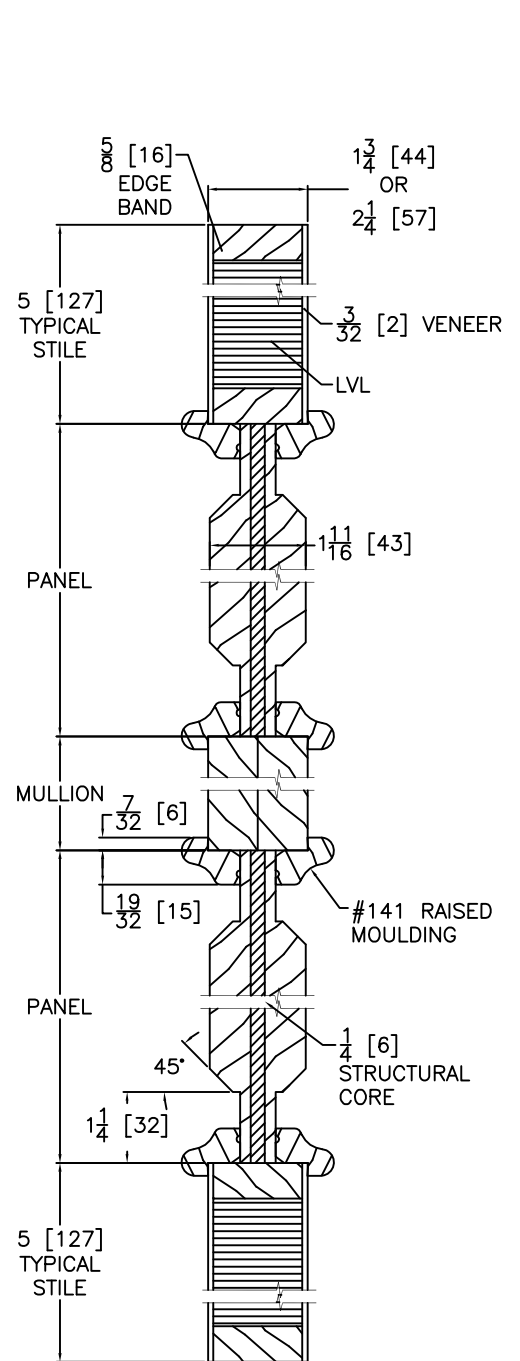


HORIZONTAL DOOR CROSS SECTION
Engineered Stile Option
(Upon Request or Doors > 3'-6" X 8'-0")

Notes:
Stile, Rail, Panel & Glass
vary by Size & Model of Door.
Typical Sizes are Shown.

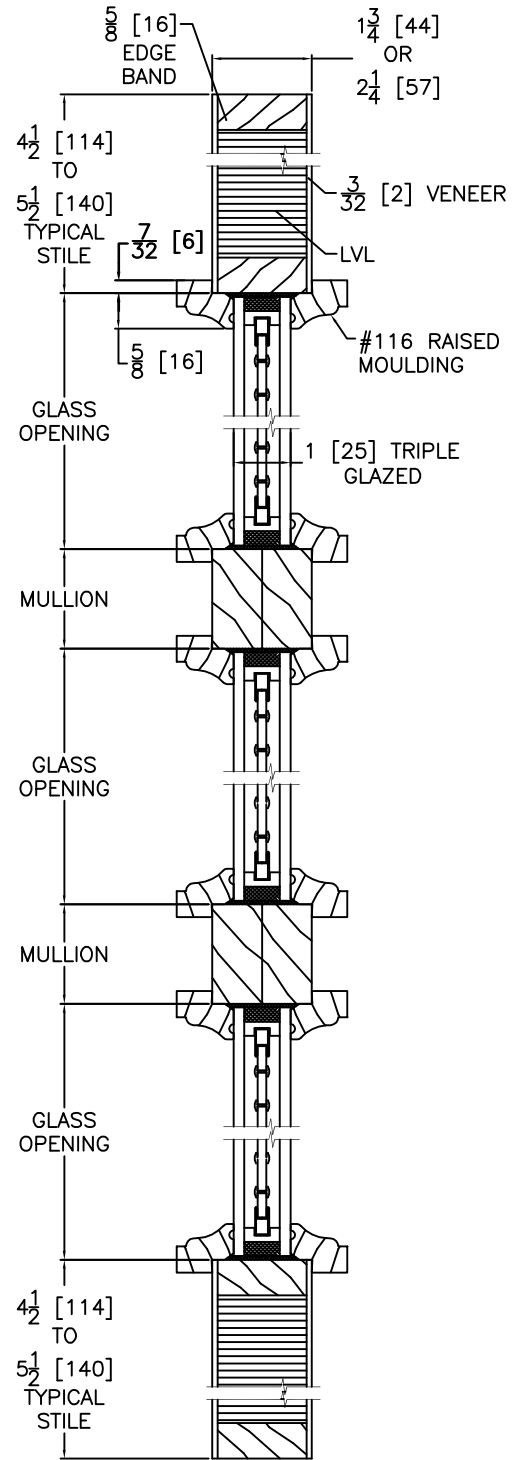
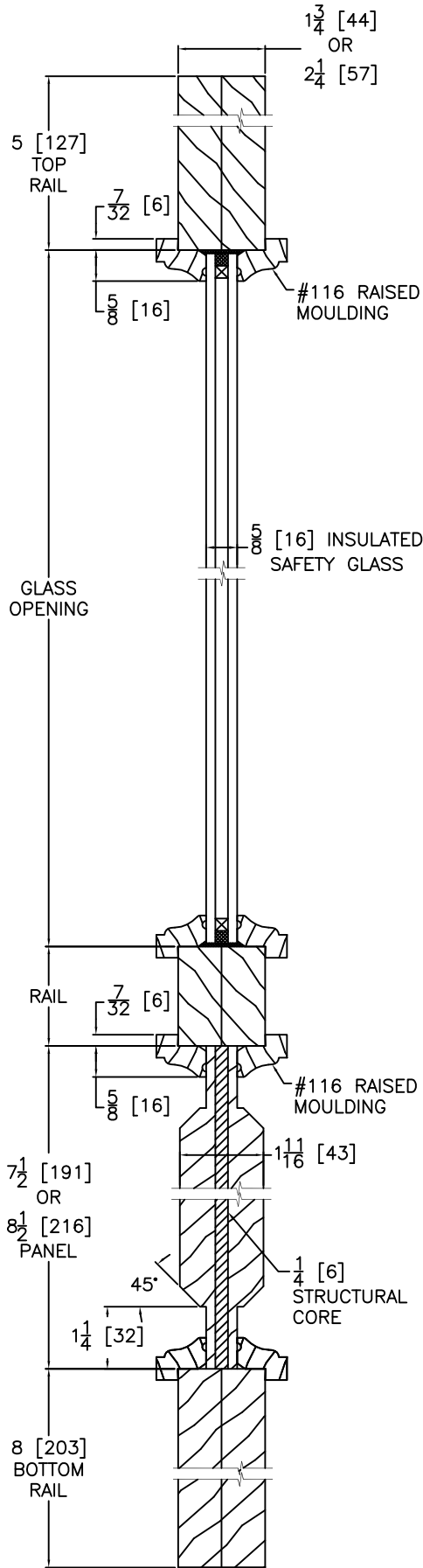
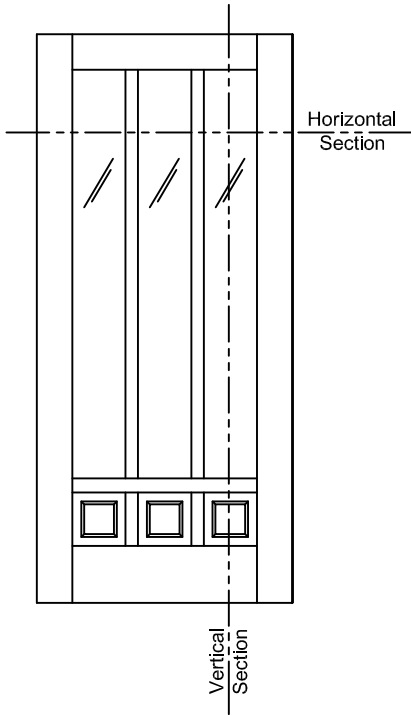


VERTICAL DOOR CROSS SECTION



HORIZONTAL DOOR CROSS SECTION
Engineered Stile Option
(Upon Request or Doors > 3'-6" X 8'-0")

Notes:
Stile, Rail, Panel & Glass
vary by Size & Model of Door.
Typical Sizes are Shown.

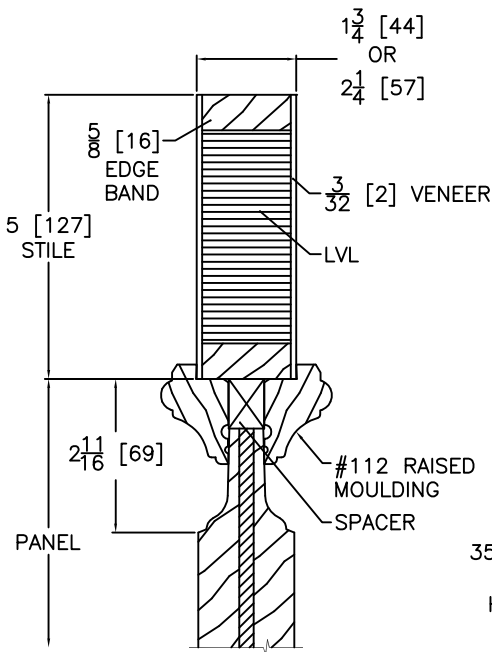
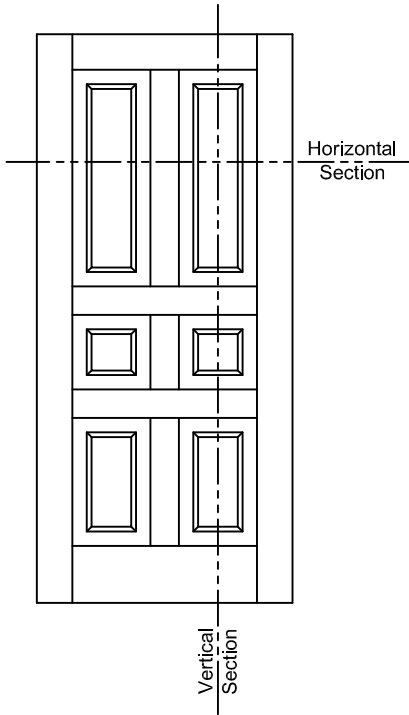


HORIZONTAL DOOR CROSS SECTION

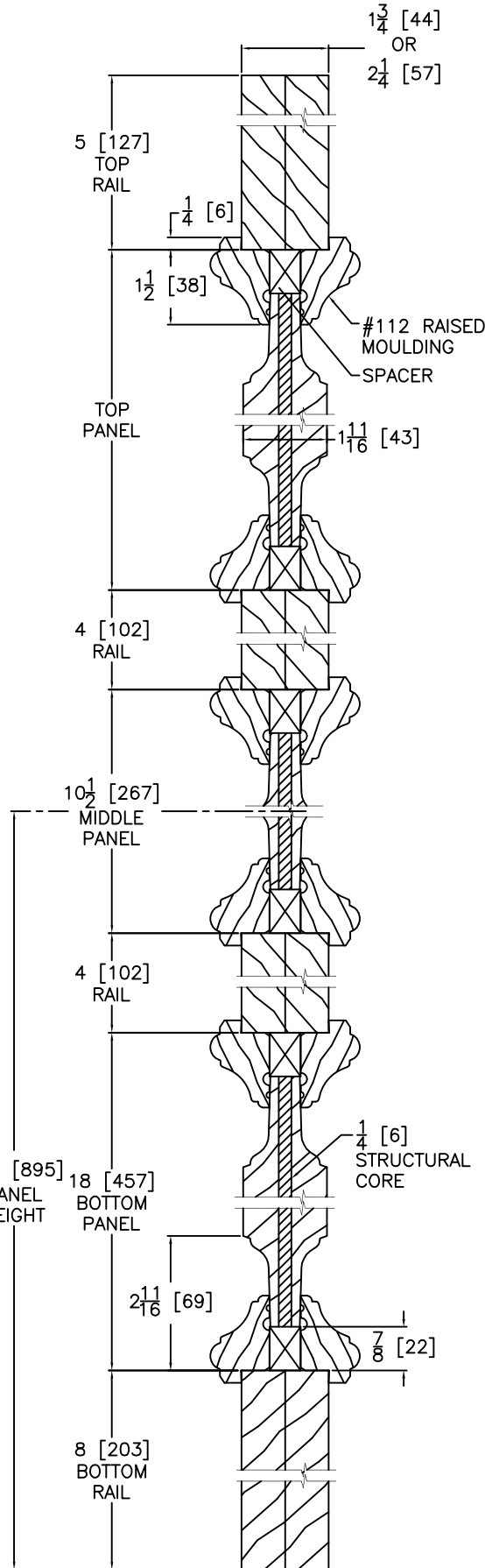
Triple Glazed
Engineered Stile Option
(Upon Request or Doors > 3'-6" X 8'-0")

VERTICAL DOOR/SIDELIGHT CROSS SECTION
Insulated Glass

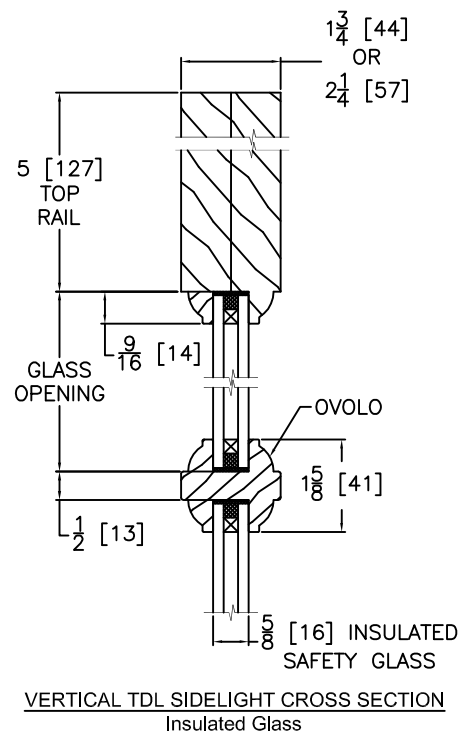
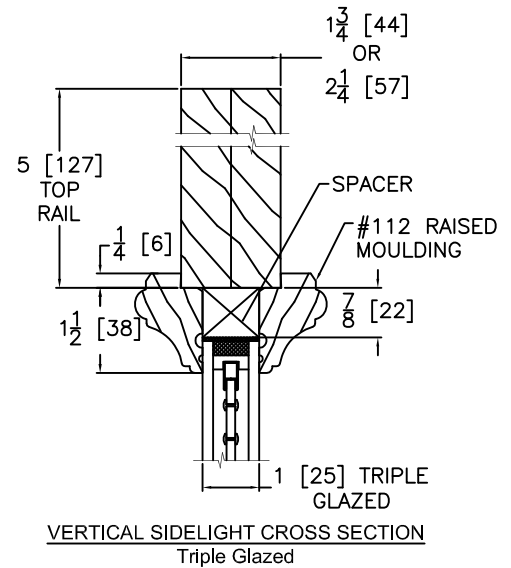
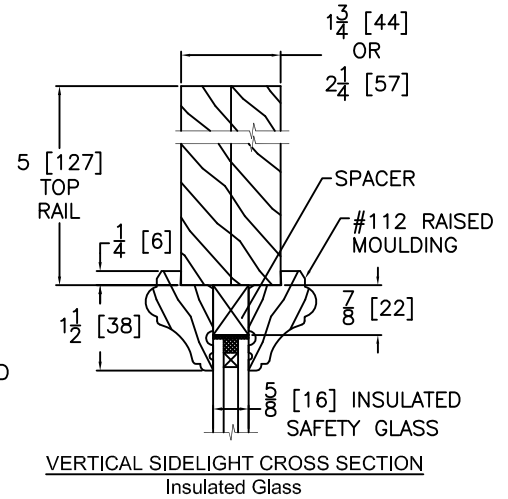
Notes:
Stile, Rail, Panel & Glass
vary by Size & Model of Door.
Typical Sizes are Shown.



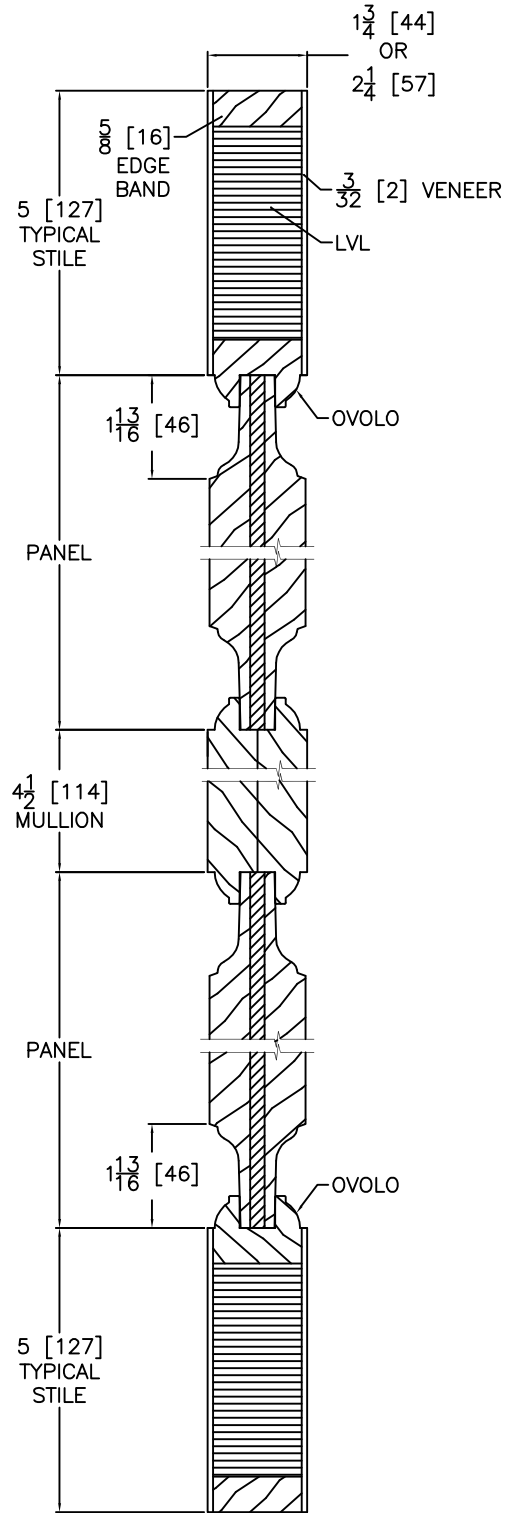
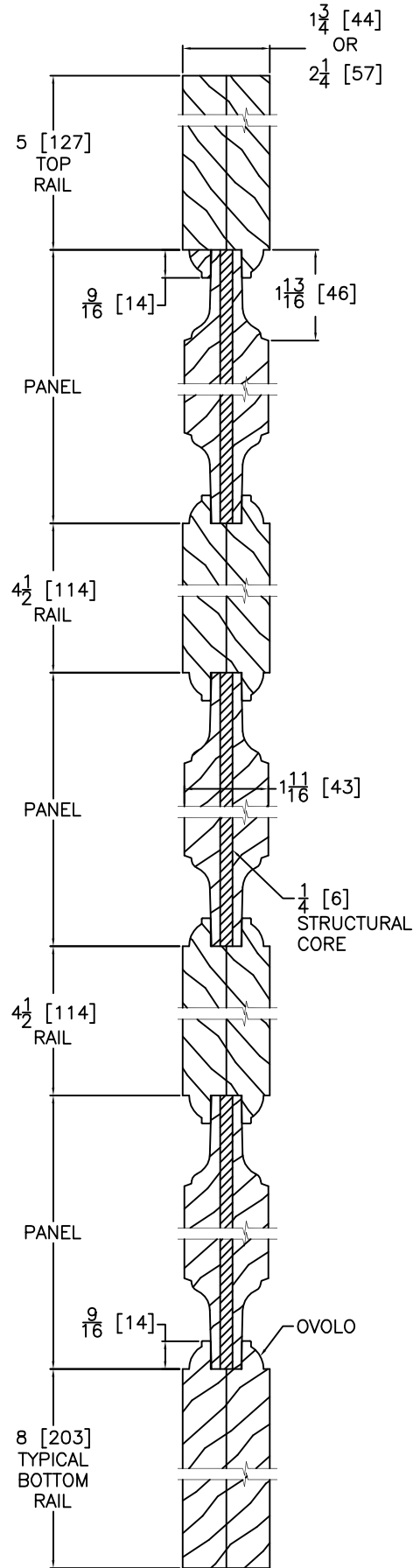
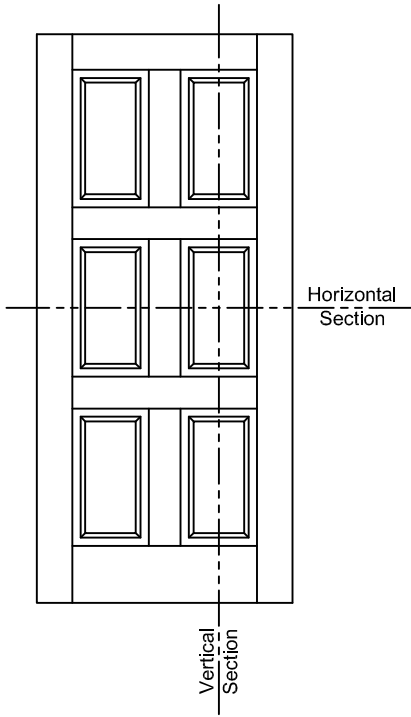
HORIZONTAL DOOR CROSS SECTION
Engineered Stile Option
(Upon Request or Doors > 3'-6" X 8'-0")



VERTICAL DOOR CROSS SECTION



Notes:
Stile, Rail, Panel & Glass
vary by Size & Model of Door.
Typical Sizes are Shown.



Engineered Stile Option
(Upon Request or Doors > 3'-6" X 8'-0")

Notes:
Stile, Rail, Panel & Glass
vary by Size & Model of Door.
Typical Sizes are Shown.