

TABLE OF CONTENTS

7+ PANEL DOORS

Elevations: 1/8" Scale

88	141	252	320	422	870	1209
105	190	302	370	708	890	1212
125	225	305	403	712	1208	1308

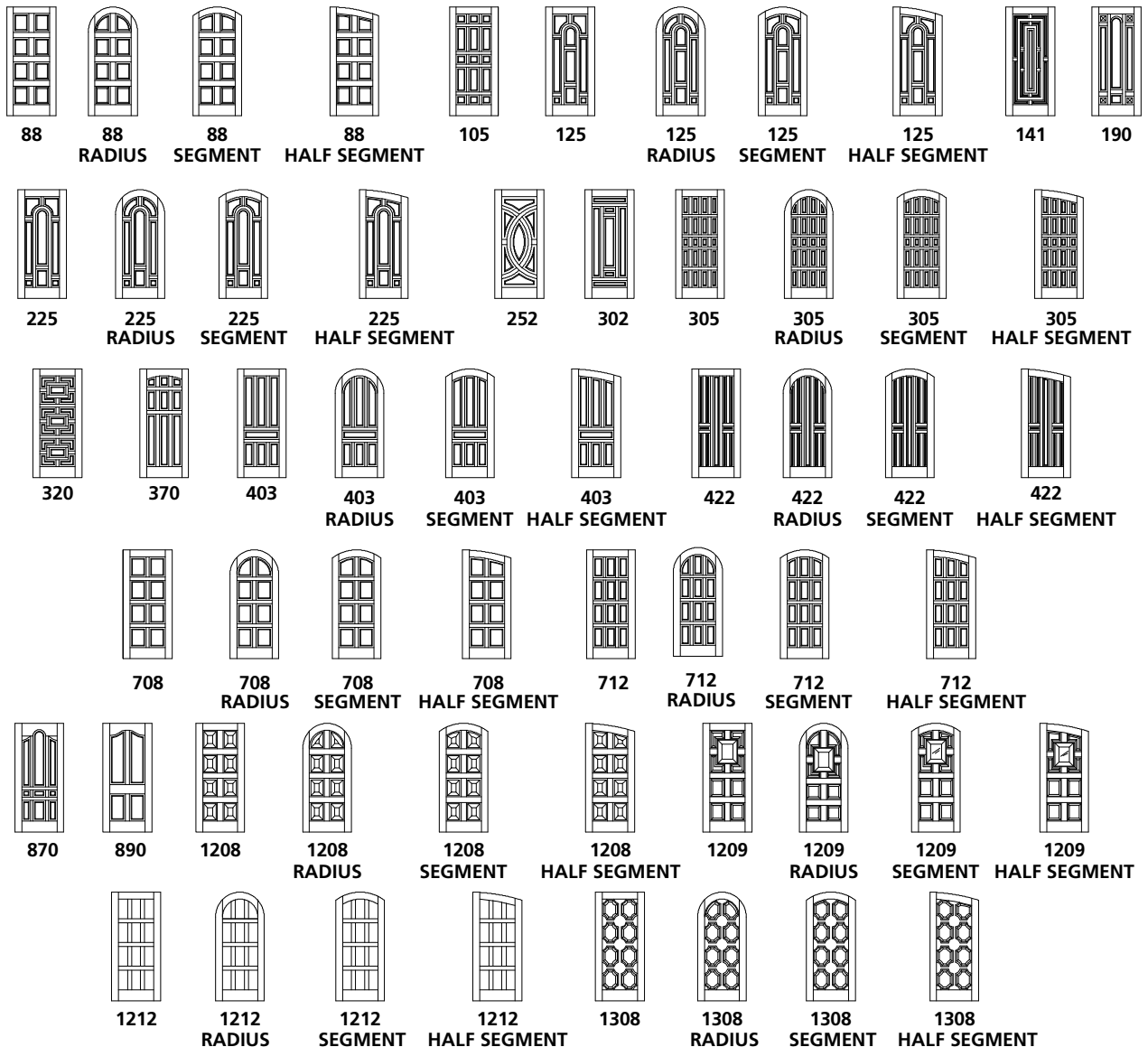
Decorative Hardware

Exterior Casing Options

Exterior/Interior Corner Block Options

Section Details

88	141	252	320	422	870	1209
105	190	302	370	708	890	1212
125	225	305	403	712	1208	1308

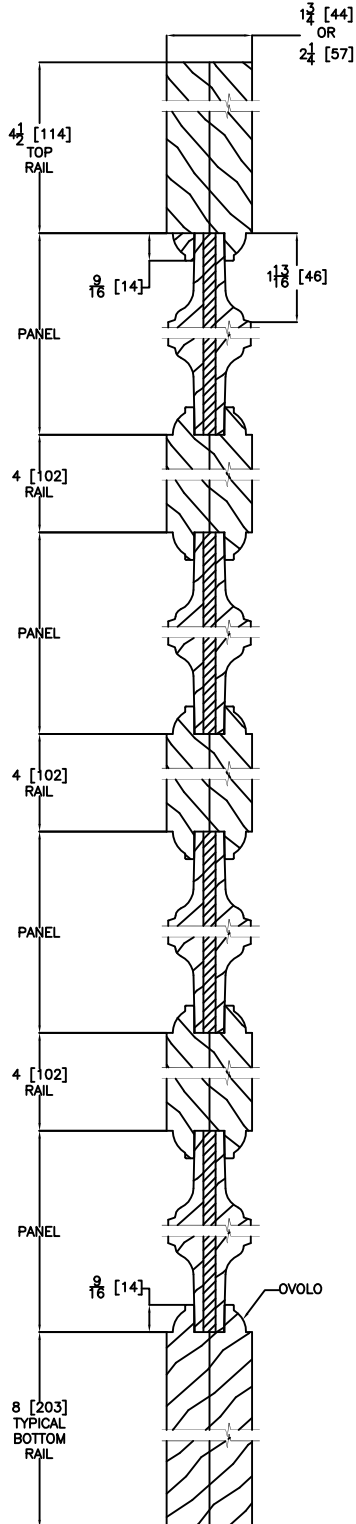


ELEVATION NOTES

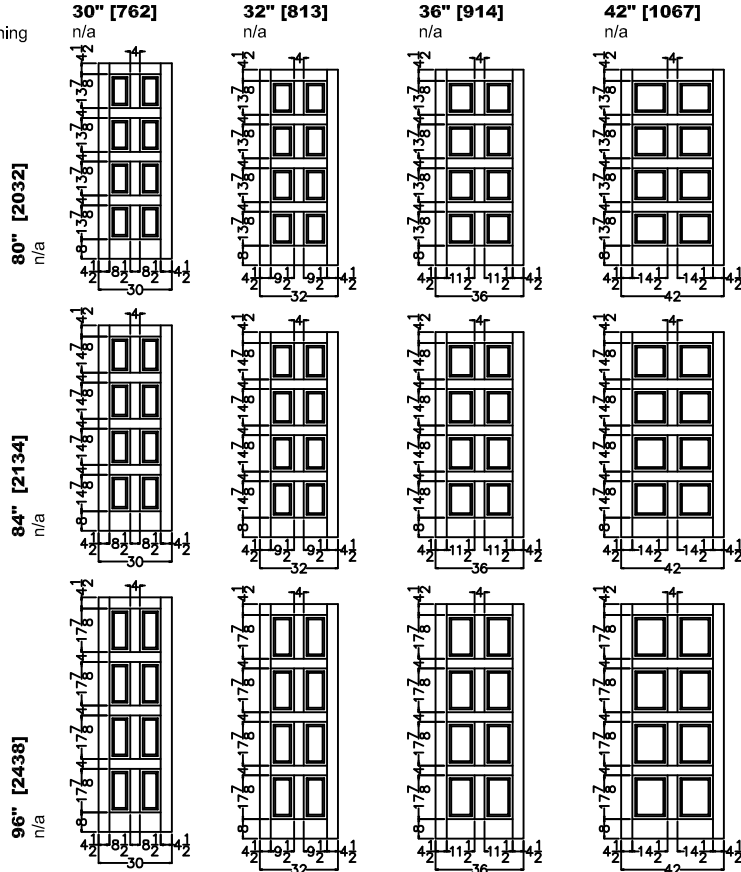
Door Size = Book Size Before Prefit
 Daylight Opening (DLO) = Visible Glass
 Values in brackets [] are millimeter conversions.

DOOR CROSS-SECTION

Moulding Profile = Ovolo Sticking
 Panel Profile = Double Hip
 See 88 Cross Section sheet for more detail.



Door Size
 Daylight Opening



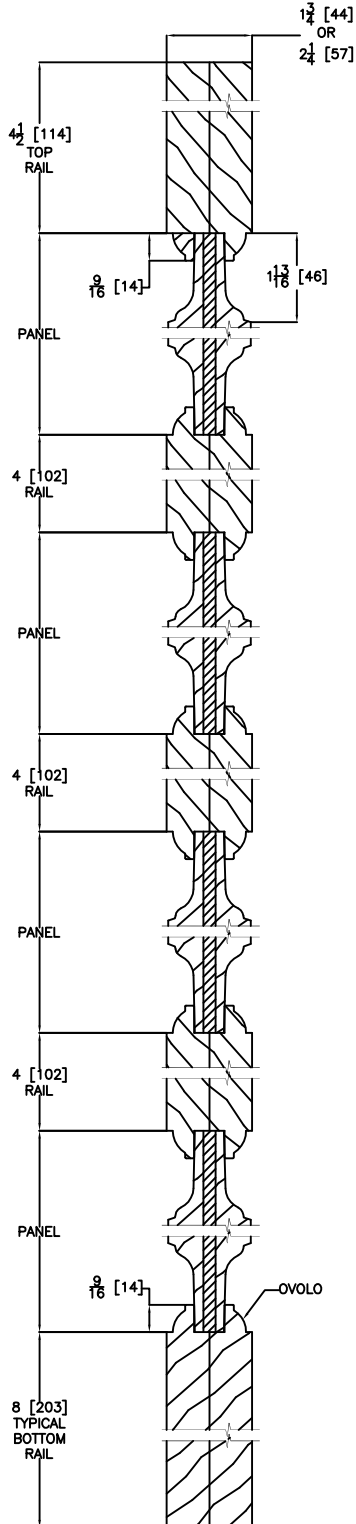
VERTICAL DOOR CROSS SECTION

ELEVATION NOTES

Door Size = Book Size Before Prefit
 Daylight Opening (DLO) = Visible Glass
 Values in brackets [] are millimeter conversions.

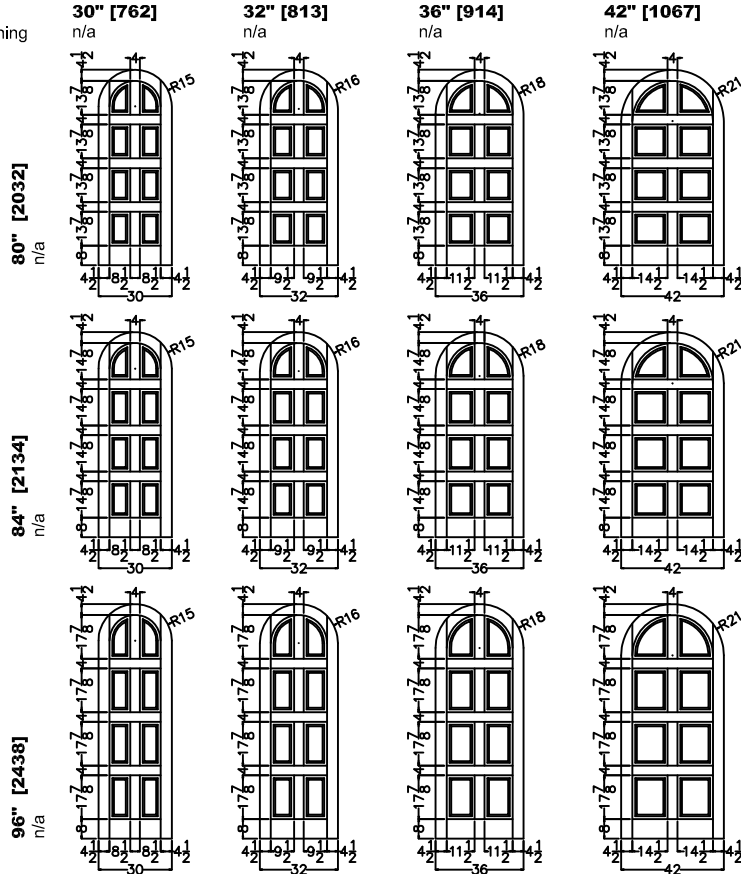
DOOR CROSS-SECTION

Moulding Profile = Ovolo Sticking
 Panel Profile = Double Hip
 See 88 Cross Section sheet for more detail.



RADIUS

Door Size
 Daylight Opening



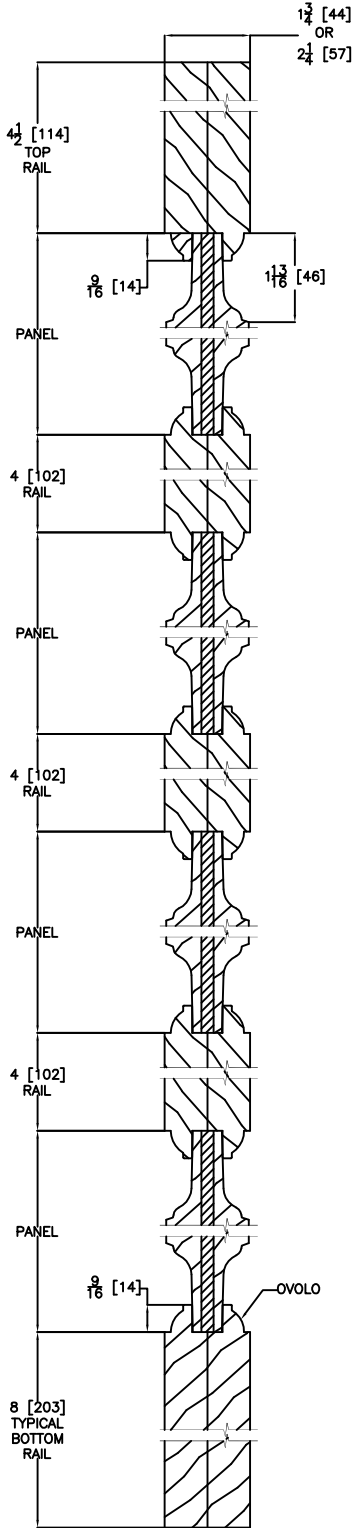
VERTICAL DOOR CROSS SECTION

ELEVATION NOTES

Door Size = Book Size Before Prefit
 Daylight Opening (DLO) = Visible Glass
 Values in brackets [] are millimeter conversions.

DOOR CROSS-SECTION

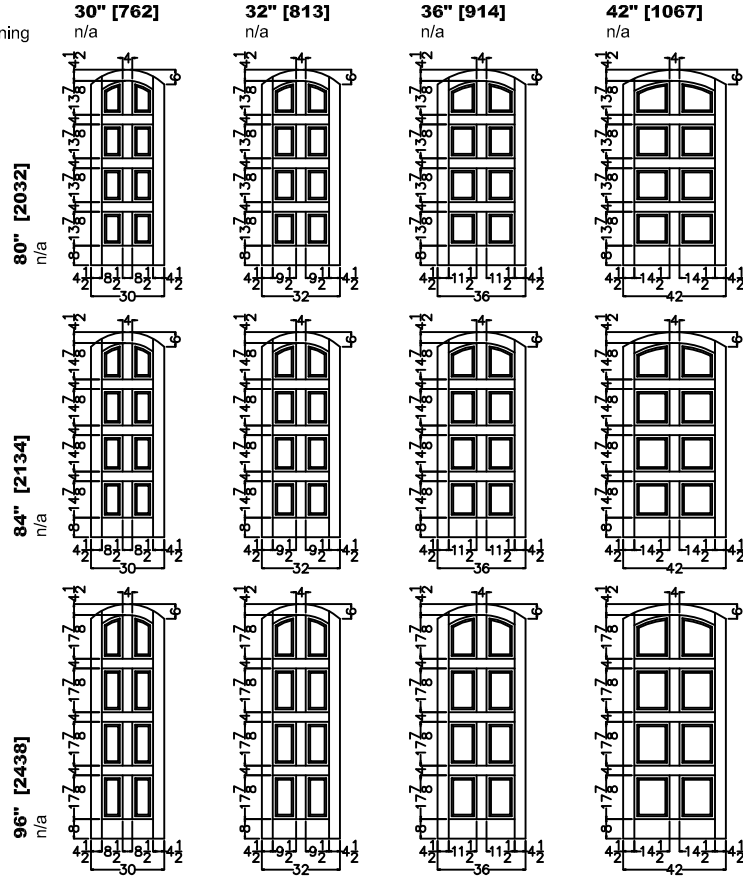
Moulding Profile = Ovolo Sticking
 Panel Profile = Double Hip
 See 88 Cross Section sheet for more detail.



VERTICAL DOOR CROSS SECTION

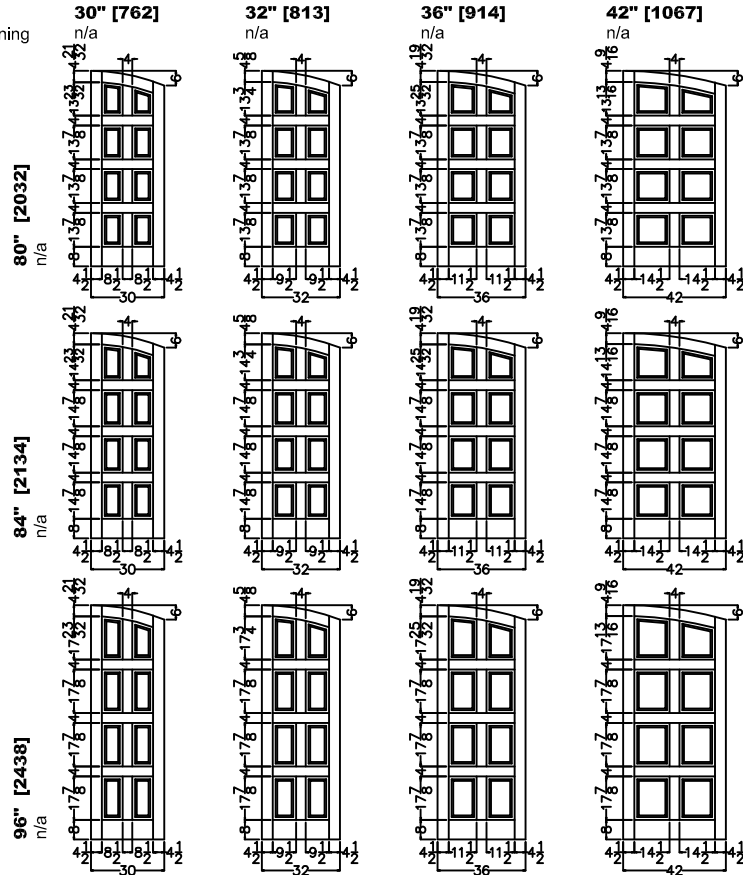
SEGMENT

Door Size
 Daylight Opening



HALF SEGMENT

Door Size
 Daylight Opening

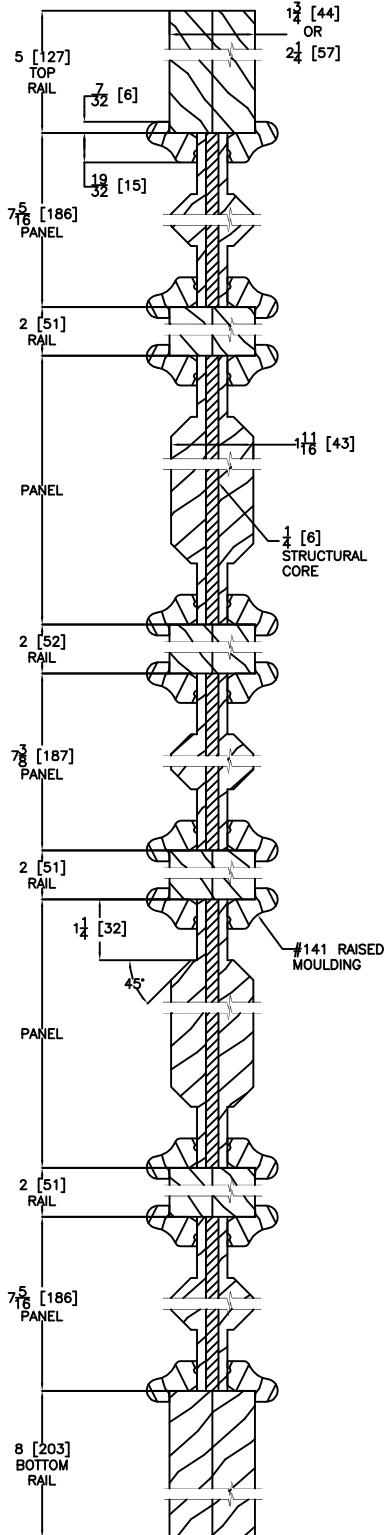


ELEVATION NOTES

Door Size = Book Size Before Prefit
 Daylight Opening (DLO) = Visible Glass
 Values in brackets [] are millimeter conversions.

DOOR CROSS-SECTION

Moulding Profile = 141
 Panel Profile = 45 Degree
 See 105 Cross Section sheet for more detail.



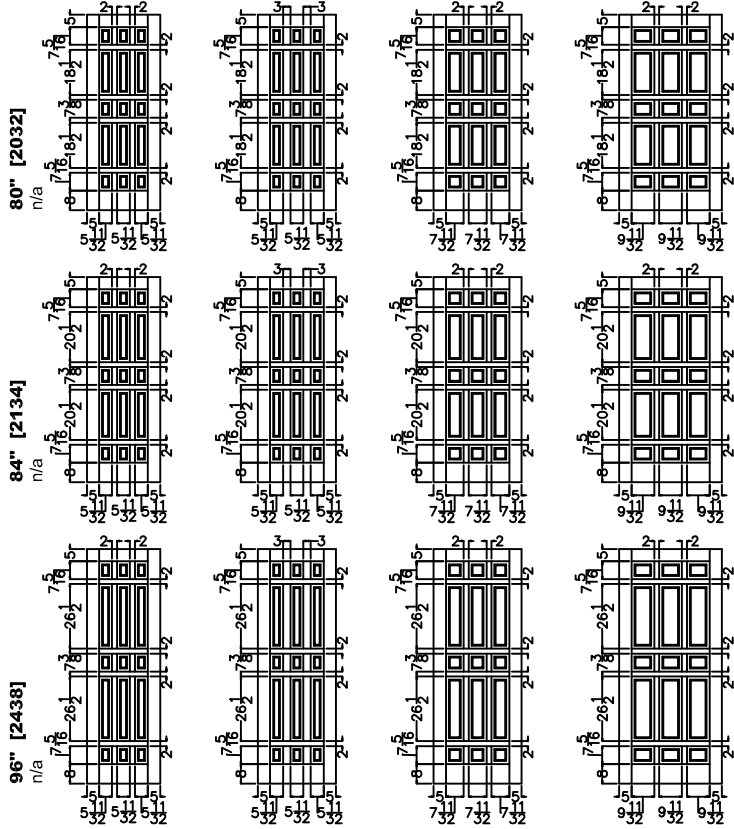
Door Size
 Daylight Opening

30" [762]
 n/a

32" [813]
 n/a

36" [914]
 n/a

42" [1067]
 n/a



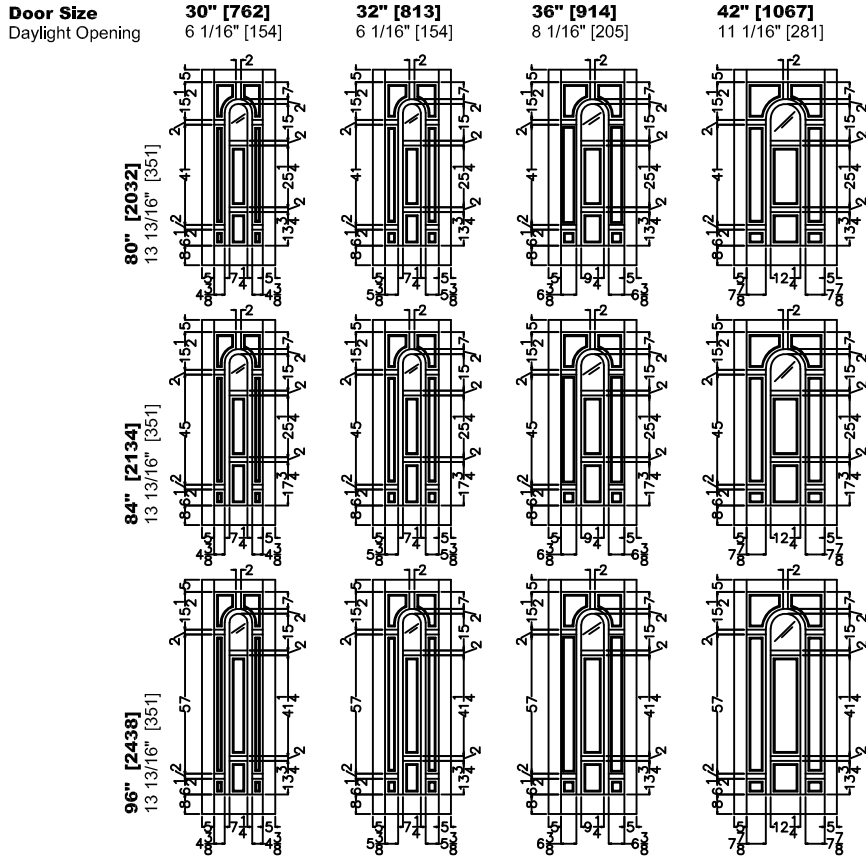
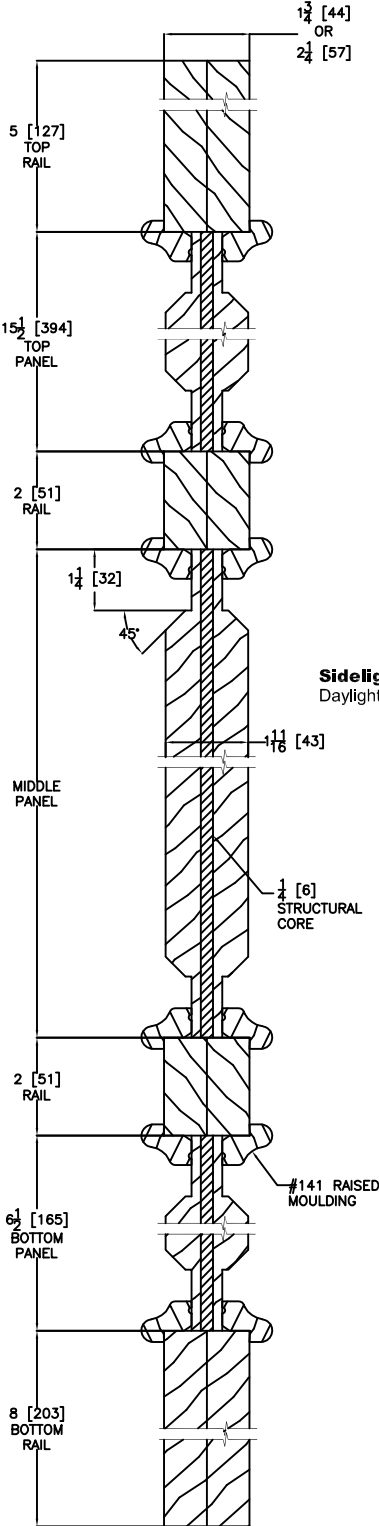
VERTICAL DOOR CROSS SECTION

ELEVATION NOTES

Door Size = Book Size Before Prefit
 Daylight Opening (DLO) = Visible Glass
 Values in brackets [] are millimeter conversions.

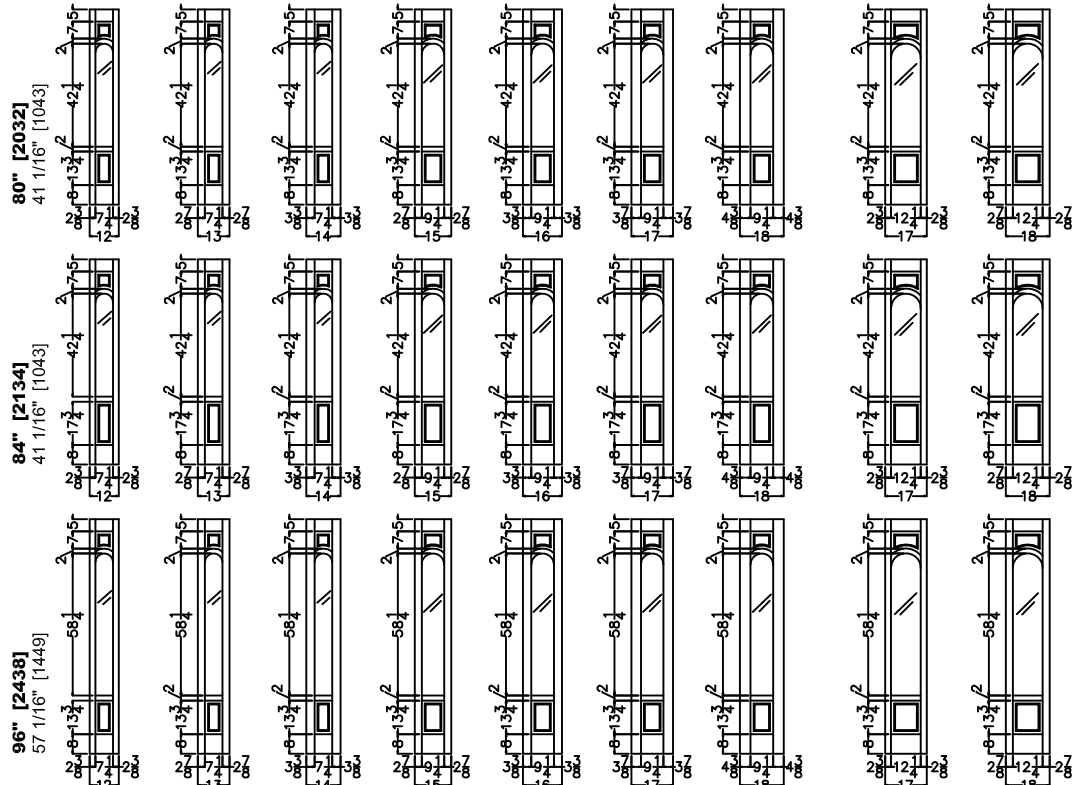
DOOR CROSS-SECTION

Moulding Profile = 141
 Panel Profile = 45 Degree
 See 125 Cross Section sheet for more detail.



SPECIAL SIDELIGHT TO MATCH 3-6 DOOR

Sidelight Size	12" [305]	13" [330]	14" [356]	15" [381]	16" [406]	17" [432]	18" [457]	17" [432]	18" [457]
Daylight Opening	6 1/16" [154]	6 1/16" [154]	6 1/16" [154]	8 1/16" [205]	8 1/16" [205]	8 1/16" [205]	8 1/16" [205]	11 1/16" [281]	11 1/16" [281]



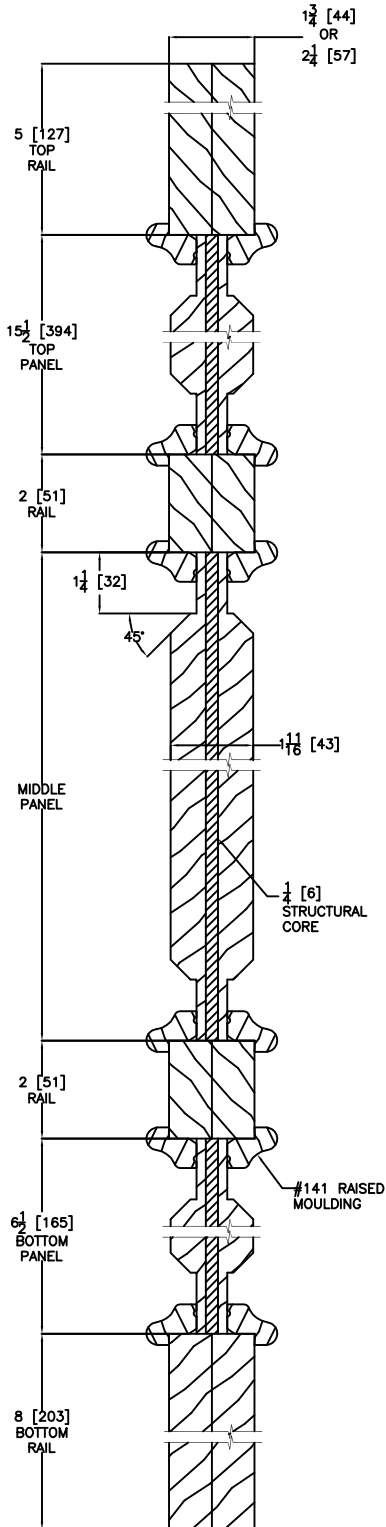
VERTICAL DOOR CROSS SECTION

ELEVATION NOTES

Door Size = Book Size Before Prefit
 Daylight Opening (DLO) = Visible Glass
 Values in brackets [] are millimeter conversions.

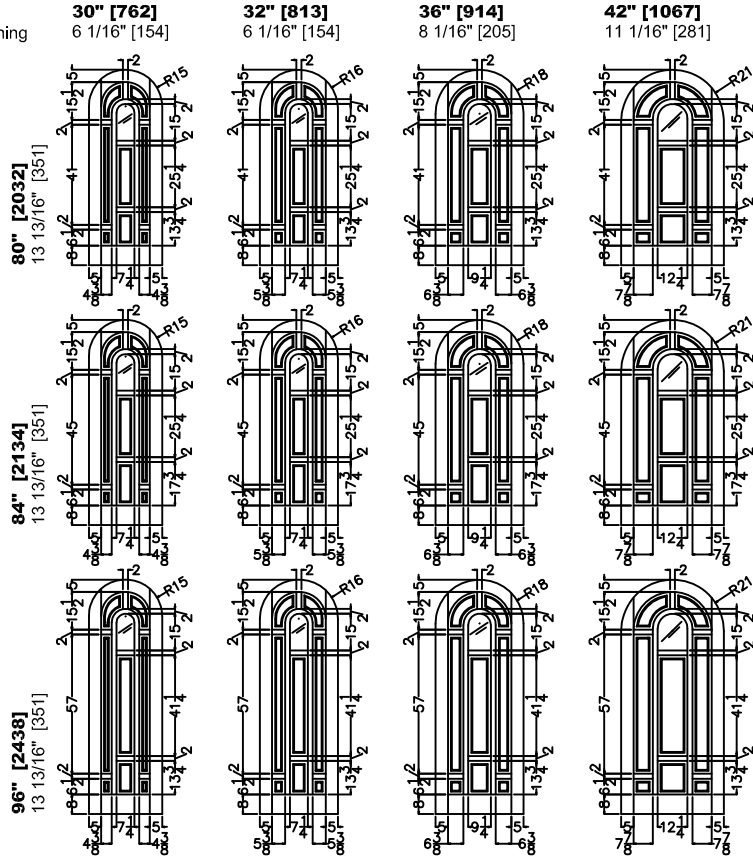
DOOR CROSS-SECTION

Moulding Profile = 141
 Panel Profile = 45 Degree
 See 125 Cross Section sheet for more detail.



RADIUS

Door Size
 Daylight Opening



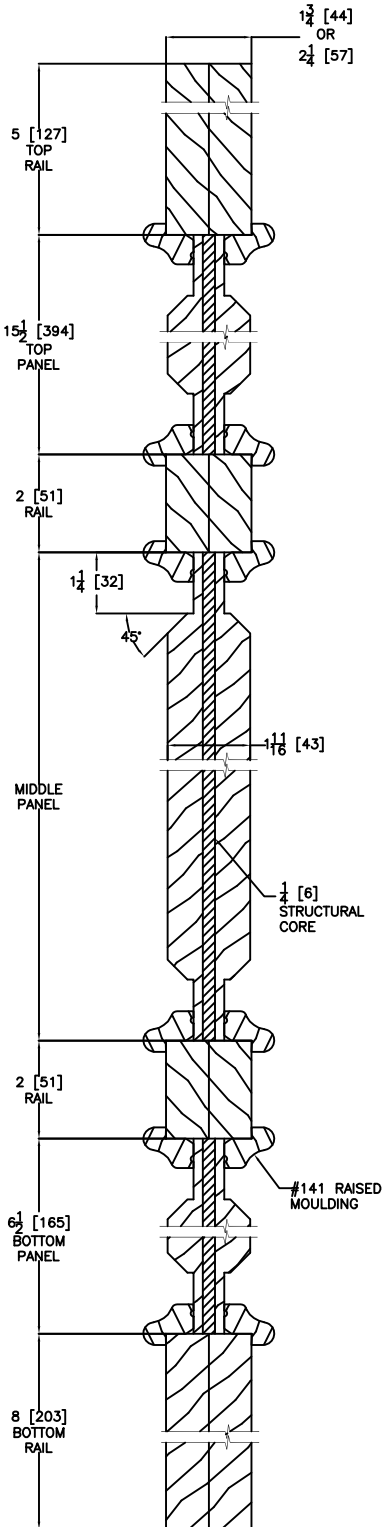
VERTICAL DOOR CROSS SECTION

ELEVATION NOTES

Door Size = Book Size Before Prefit
 Daylight Opening (DLO) = Visible Glass
 Values in brackets [] are millimeter conversions.

DOOR CROSS-SECTION

Moulding Profile = 141
 Panel Profile = 45 Degree
 See 125 Cross Section sheet for more detail.



VERTICAL DOOR CROSS SECTION

SEGMENT

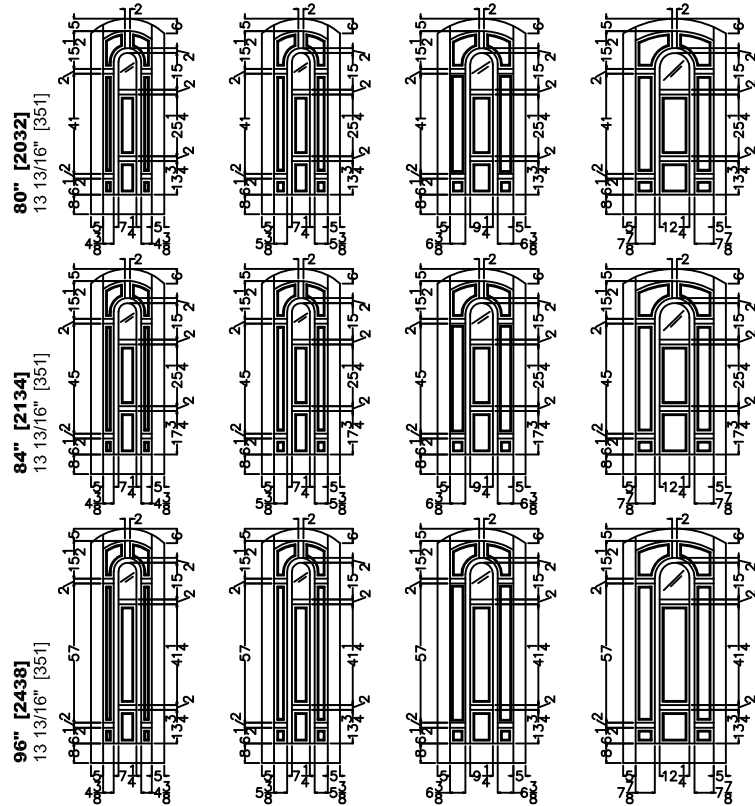
Door Size
 Daylight Opening

30" [762]
 6 1/16" [154]

32" [813]
 6 1/16" [154]

36" [914]
 8 1/16" [205]

42" [1067]
 11 1/16" [281]



HALF SEGMENT

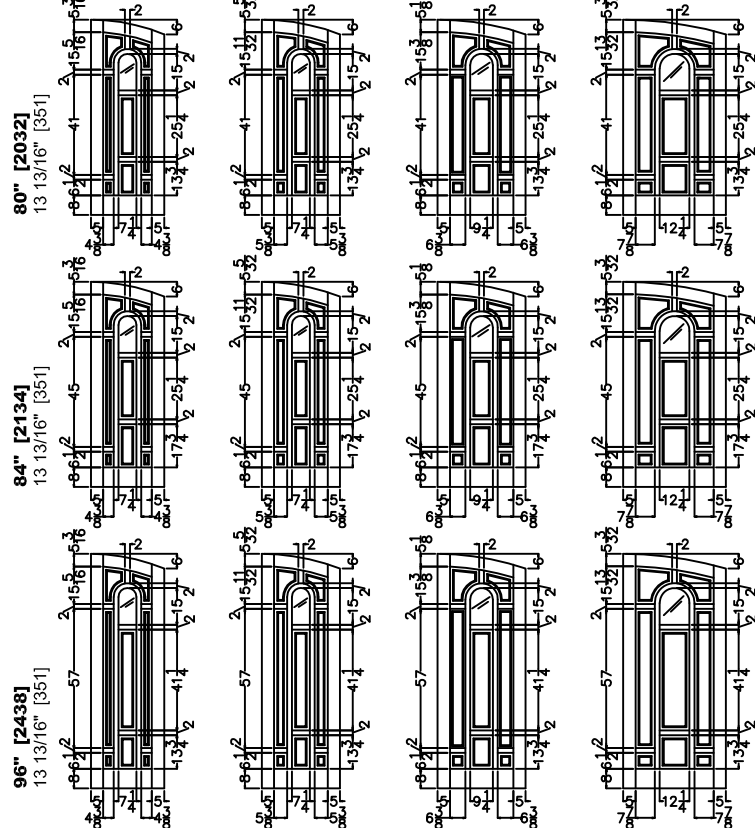
Door Size
 Daylight Opening

30" [762]
 6 1/16" [154]

32" [813]
 6 1/16" [154]

36" [914]
 8 1/16" [205]

42" [1067]
 11 1/16" [281]

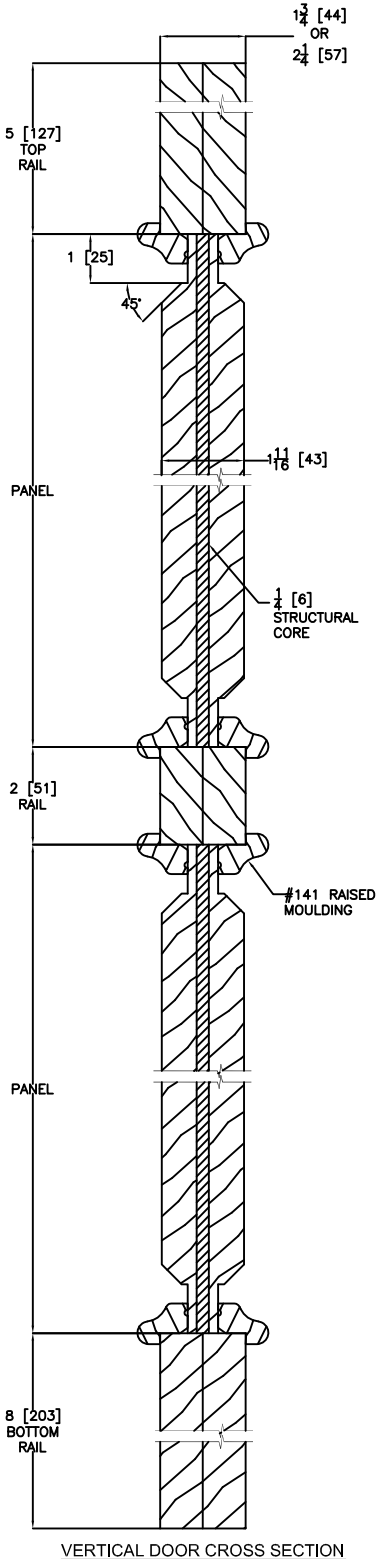


ELEVATION NOTES

Door Size = Book Size Before Prefit
Daylight Opening (DLO) = Visible Glass
Values in brackets [] are millimeter conversions.
(CARVING OPTIONAL)

DOOR CROSS-SECTION

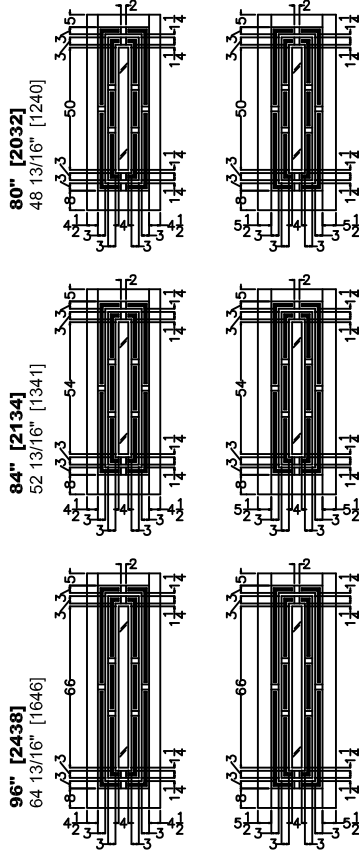
Moulding Profile = 141
Panel Profile = 45 Degree
See 141 Cross Section sheet for more detail.



Door Size
Daylight Opening

30" [762]
2 13/16" [71]

32" [813]
2 13/16" [71]



SIDLIGHT TO MATCH 2-6 & 2-8

Sidelight Size
Daylight Opening

12" [305]
7 13/16" [198]

13" [330]
7 13/16" [198]

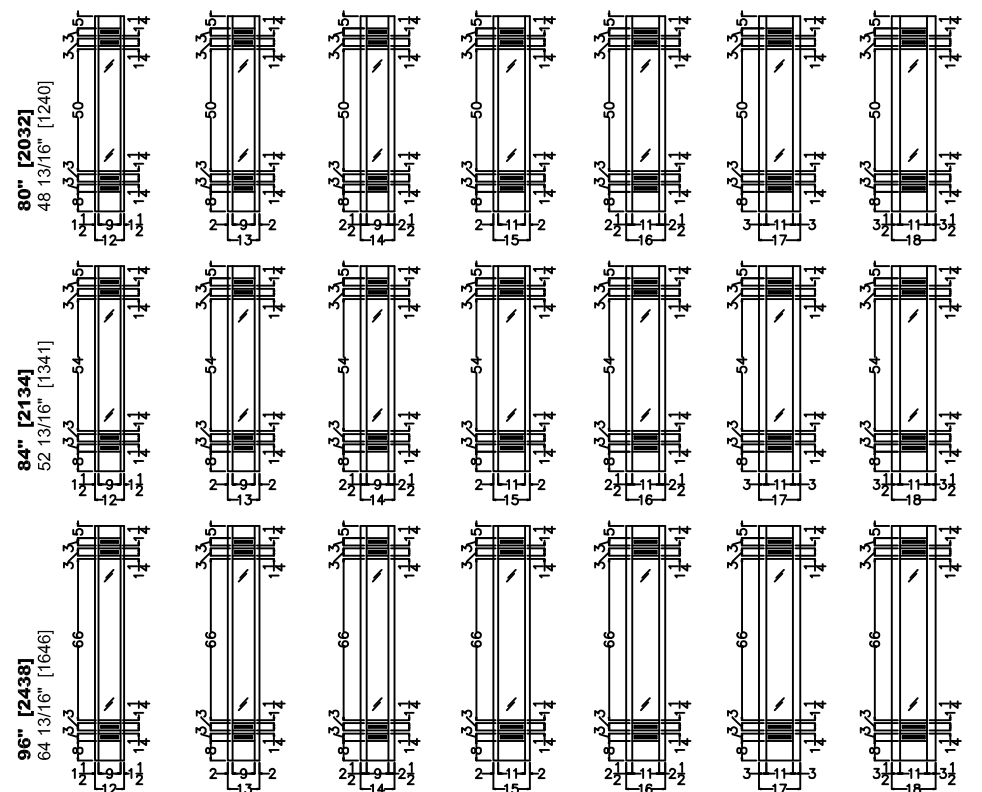
14" [356]
7 13/16" [198]

15" [381]
9 13/16" [249]

16" [406]
9 13/16" [249]

17" [432]
9 13/16" [249]

18" [457]
9 13/16" [249]

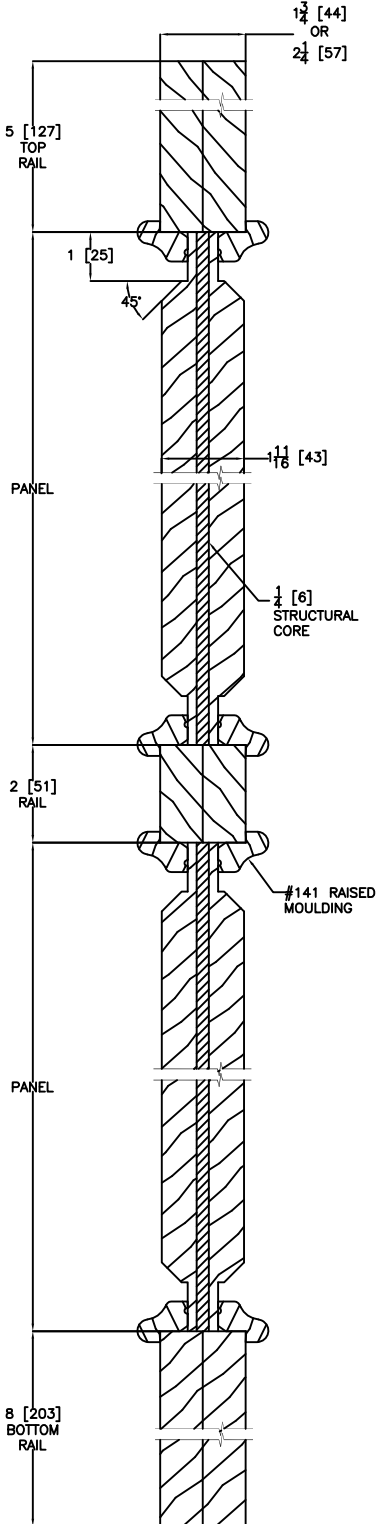


ELEVATION NOTES

Door Size = Book Size Before Prefit
 Daylight Opening (DLO) = Visible Glass
 Values in brackets [] are millimeter conversions.
 (CARVING OPTIONAL)

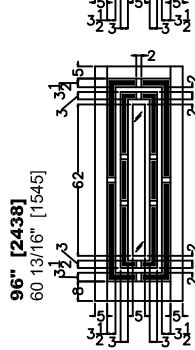
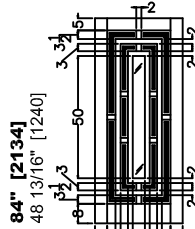
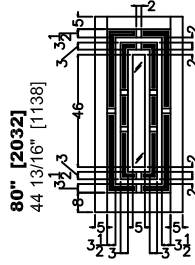
DOOR CROSS-SECTION

Moulding Profile = 141
 Panel Profile = 45 Degree
 See 141 Cross Section sheet for more detail.



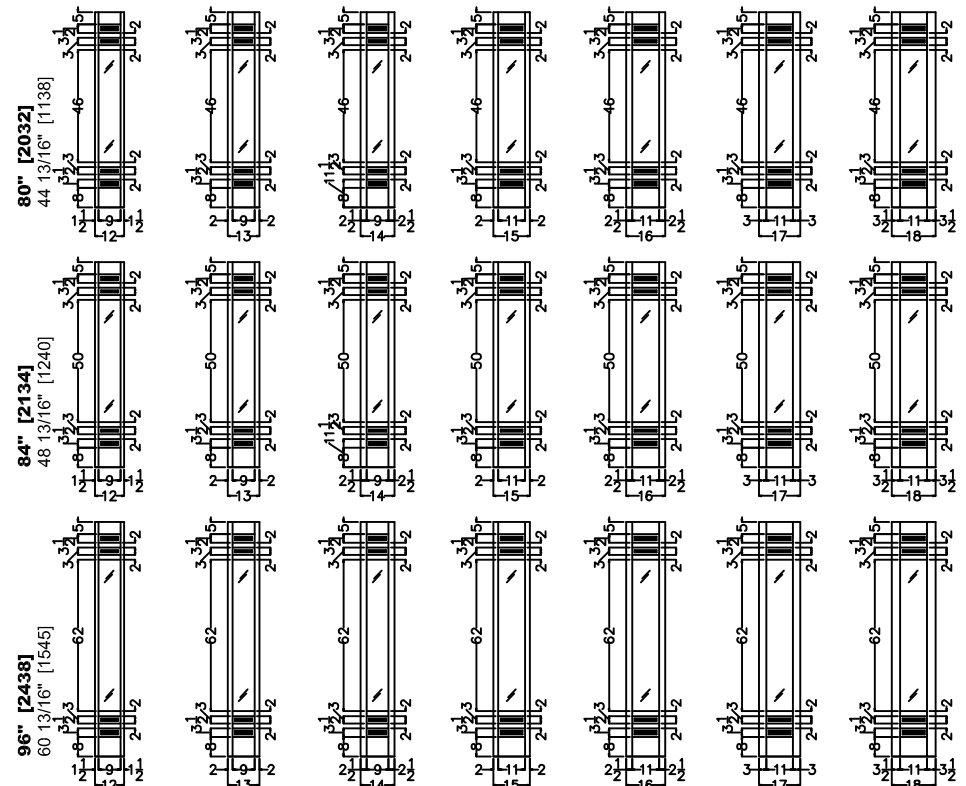
VERTICAL DOOR CROSS SECTION

Door Size 36" [914]
Daylight Opening 3 13/16" [97]



SIDLIGHT TO MATCH 3-0

Sidelight Size 12" [305] 13" [330] 14" [356] 15" [381] 16" [406] 17" [432] 18" [457]
Daylight Opening 7 13/16" [198] 7 13/16" [198] 7 13/16" [198] 9 13/16" [249] 9 13/16" [249] 9 13/16" [249] 9 13/16" [249]

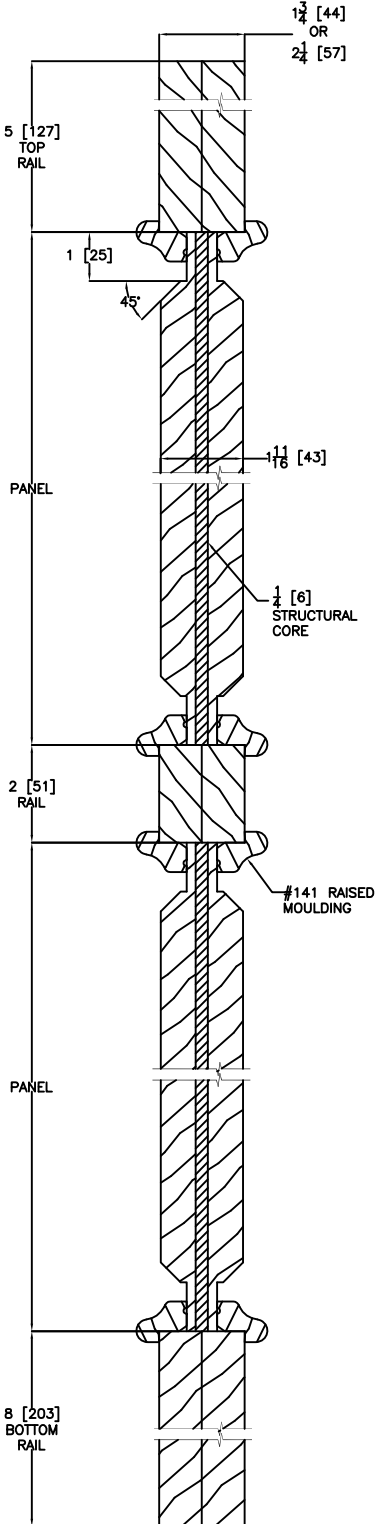


ELEVATION NOTES

Door Size = Book Size Before Prefit
 Daylight Opening (DLO) = Visible Glass
 Values in brackets [] are millimeter conversions.
 (CARVING OPTIONAL)

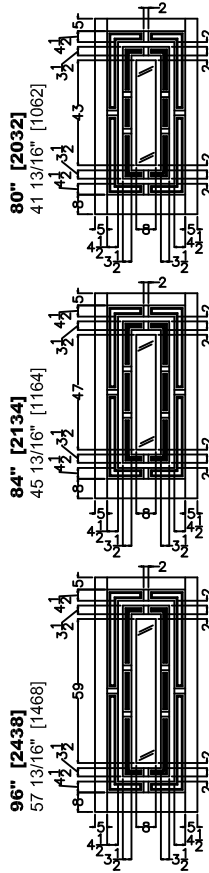
DOOR CROSS-SECTION

Moulding Profile = 141
 Panel Profile = 45 Degree
 See 141 Cross Section sheet for more detail.



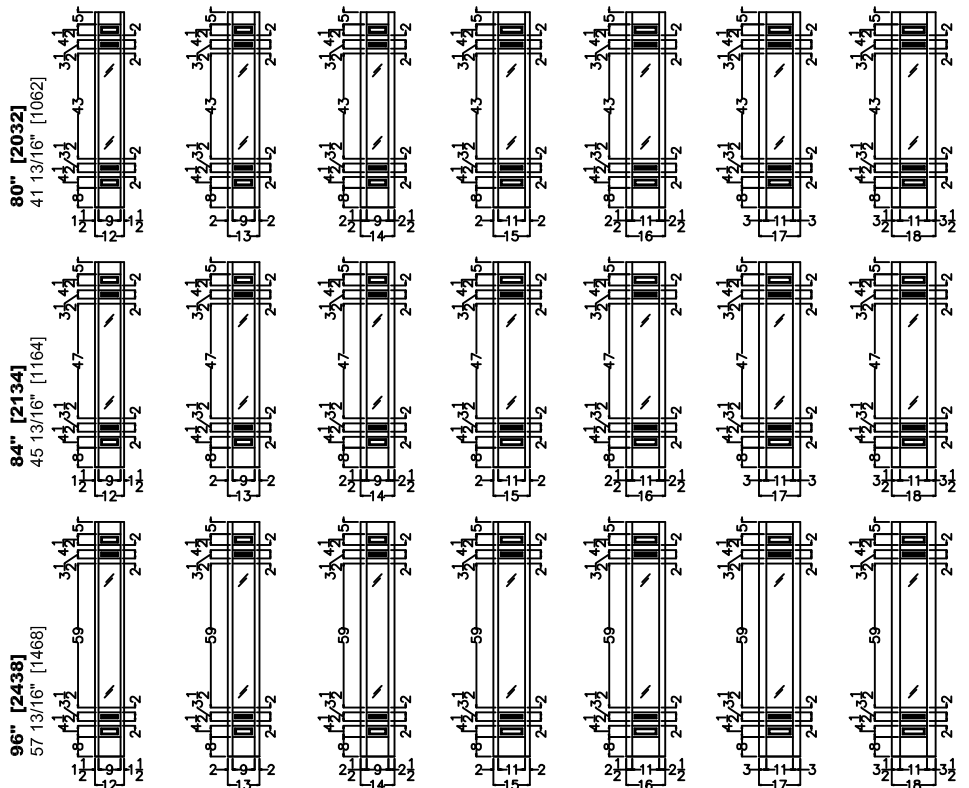
VERTICAL DOOR CROSS SECTION

Door Size 42" [1067]
Daylight Opening 6 13/16" [173]



SIDLIGHT TO MATCH 3-6

Sidelight Size 12" [305] 13" [330] 14" [356] 15" [381] 16" [406] 17" [432] 18" [457]
Daylight Opening 7 13/16" [198] 7 13/16" [198] 7 13/16" [198] 9 13/16" [249] 9 13/16" [249] 9 13/16" [249] 9 13/16" [249]

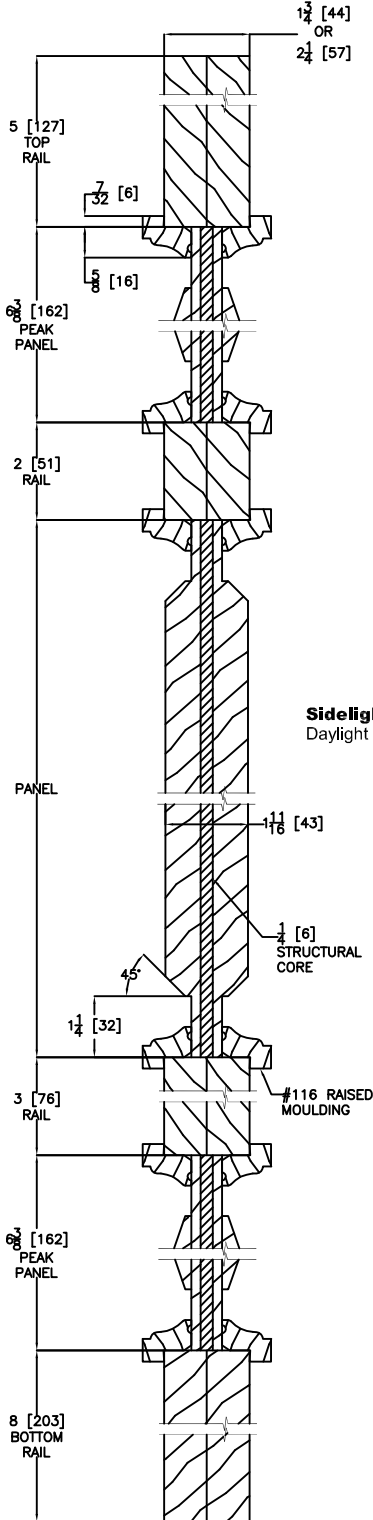


ELEVATION NOTES

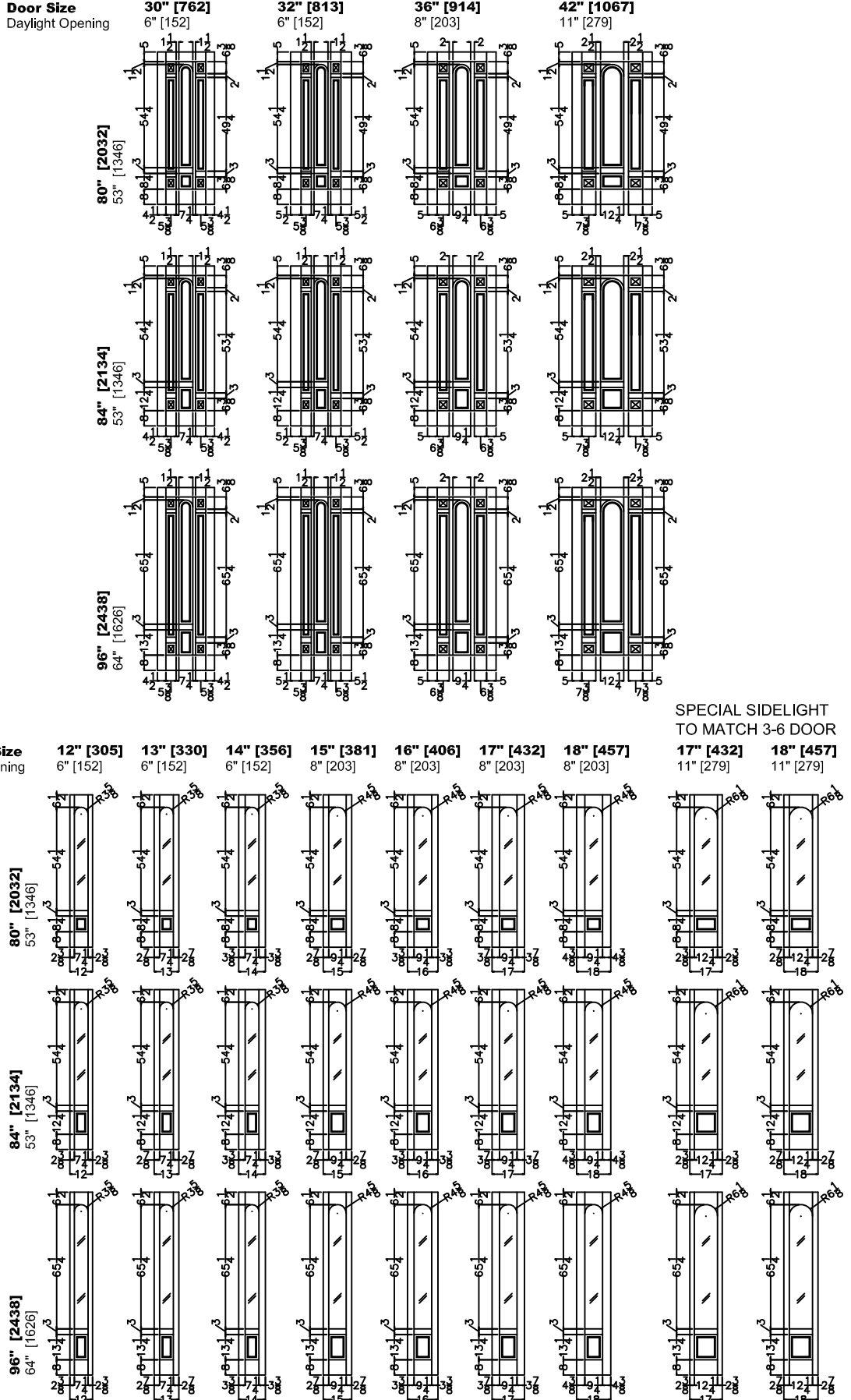
Door Size = Book Size Before Prefit
 Daylight Opening (DLO) = Visible Glass
 Values in brackets [] are millimeter conversions.

DOOR CROSS-SECTION

Moulding Profile = 116
 Panel Profile = 45 Degree
 See 190 Cross Section sheet for more detail.



VERTICAL DOOR CROSS SECTION

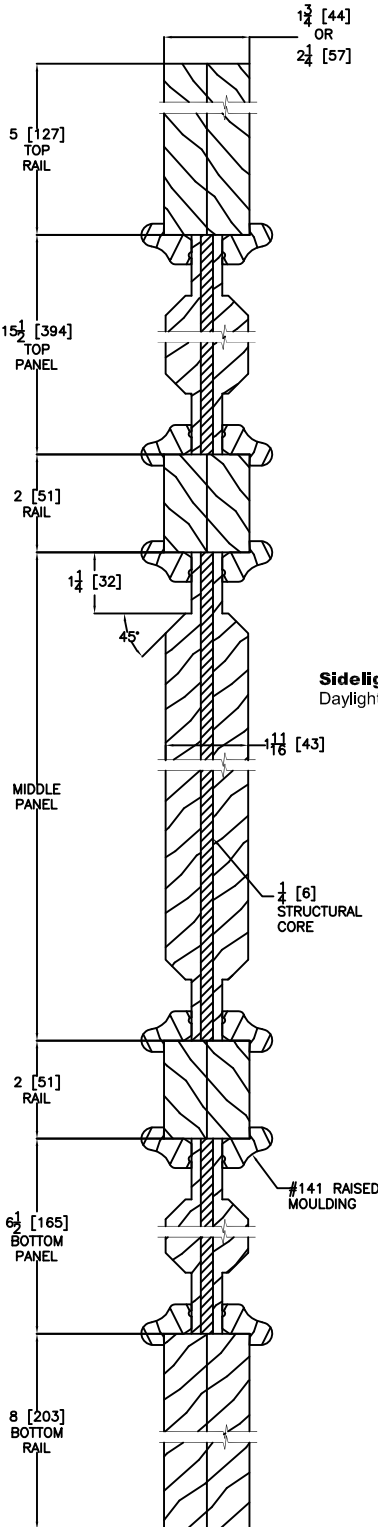


ELEVATION NOTES

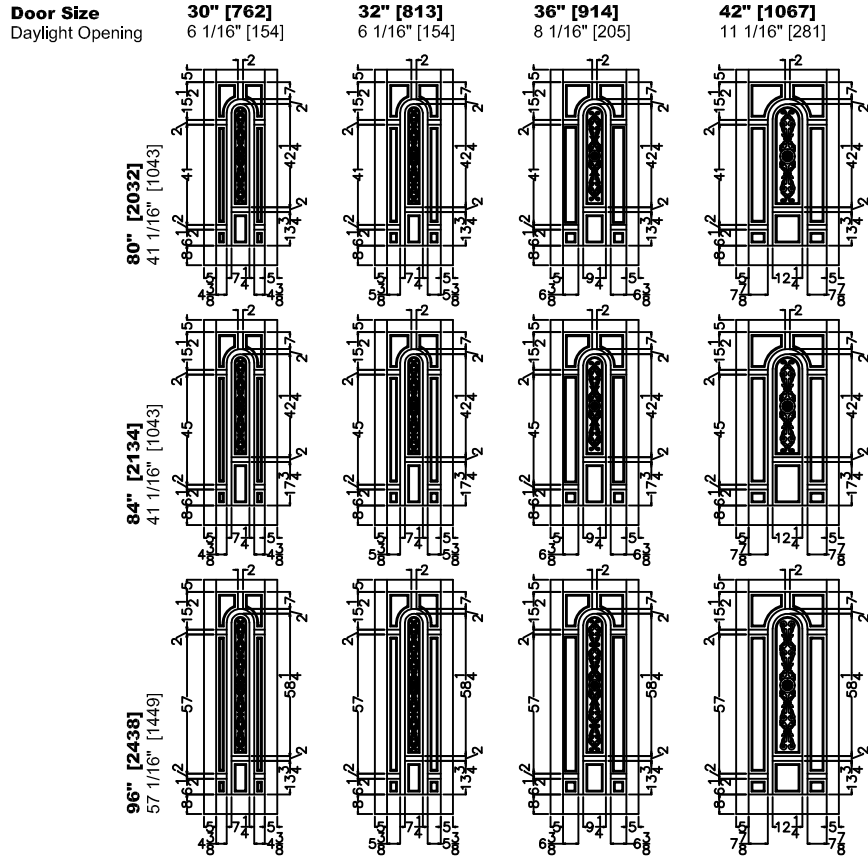
Door Size = Book Size Before Prefit
 Daylight Opening (DLO) = Visible Glass
 Values in brackets [] are millimeter conversions.
 (CARVING OPTIONAL)

DOOR CROSS-SECTION

Moulding Profile = 141
 Panel Profile = 45 Degree
 See 225 Cross Section sheet for more detail.

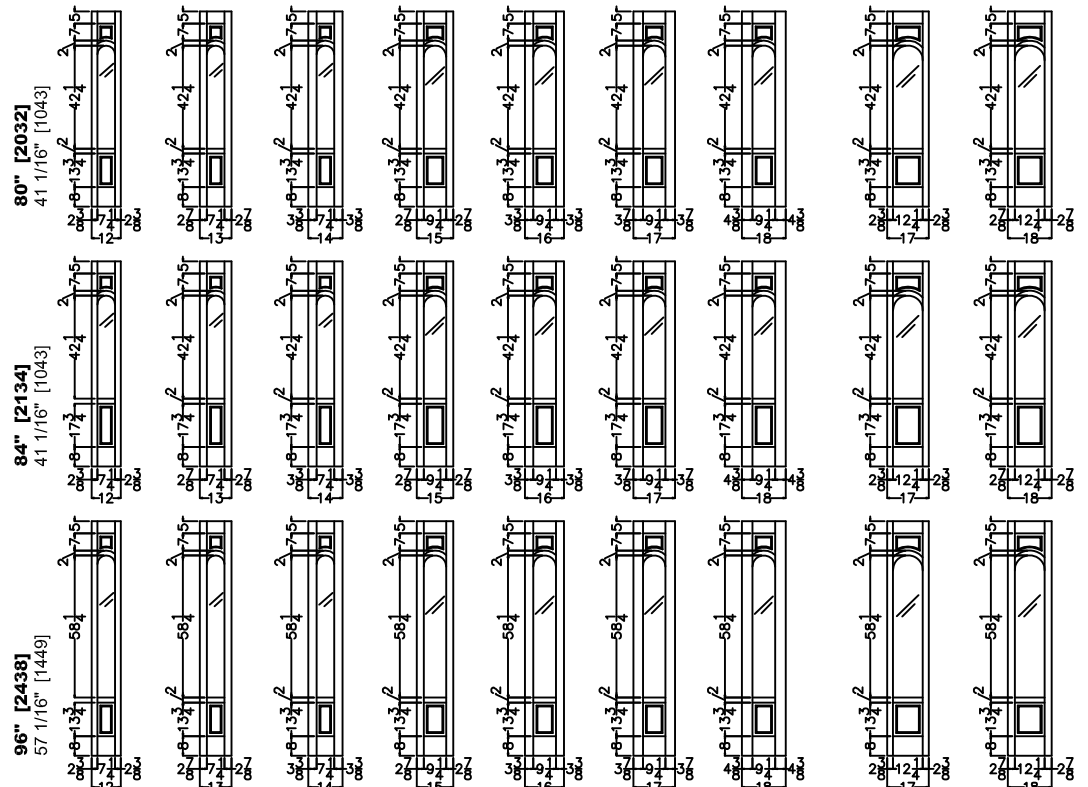


VERTICAL DOOR CROSS SECTION



Sidelight Size
 Daylight Opening

12" [305]	13" [330]	14" [356]	15" [381]	16" [406]	17" [432]	18" [457]	17" [432]	18" [457]
6 1/16" [154]	6 1/16" [154]	6 1/16" [154]	8 1/16" [205]	8 1/16" [205]	8 1/16" [205]	8 1/16" [205]	11 1/16" [281]	11 1/16" [281]



SPECIAL SIDELIGHT
 TO MATCH 3-6 DOOR

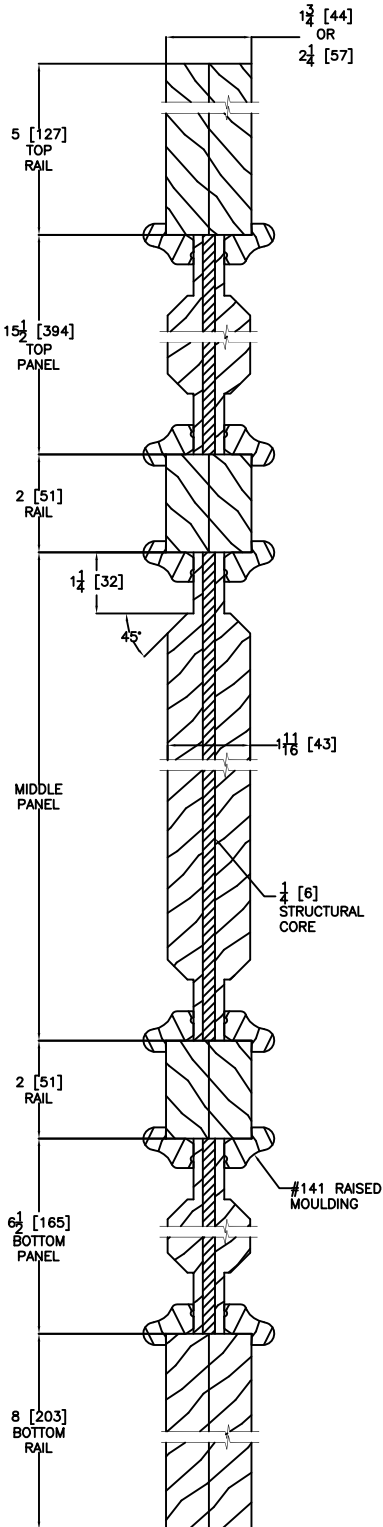
17" [432]	18" [457]
11 1/16" [281]	11 1/16" [281]

ELEVATION NOTES

Door Size = Book Size Before Prefit
 Daylight Opening (DLO) = Visible Glass
 Values in brackets [] are millimeter conversions.
 (CARVING OPTIONAL)

DOOR CROSS-SECTION

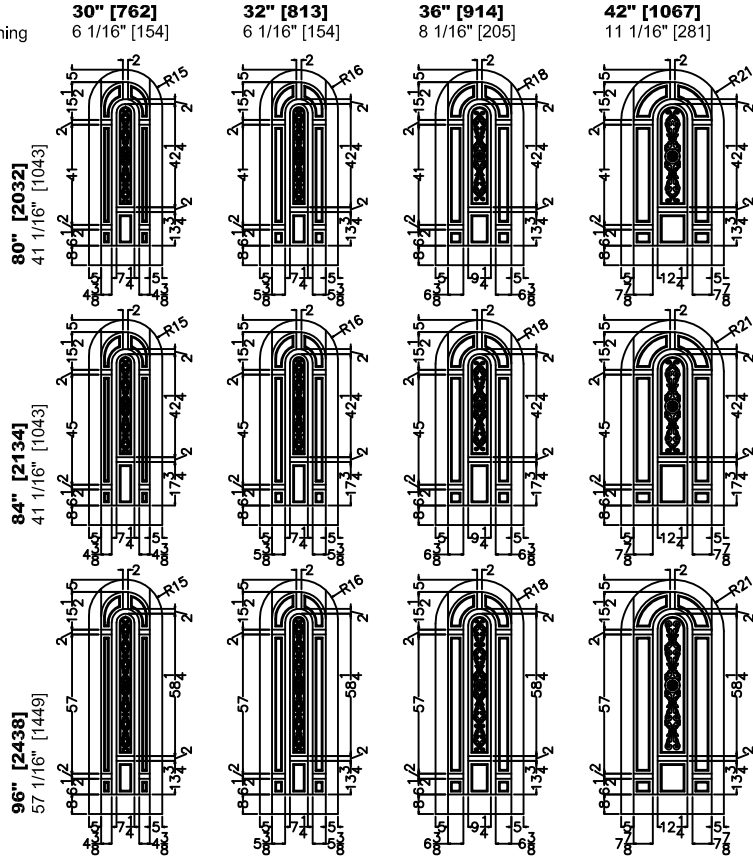
Moulding Profile = 141
 Panel Profile = 45 Degree
 See 225 Cross Section sheet for more detail.



VERTICAL DOOR CROSS SECTION

RADIUS

Door Size
 Daylight Opening

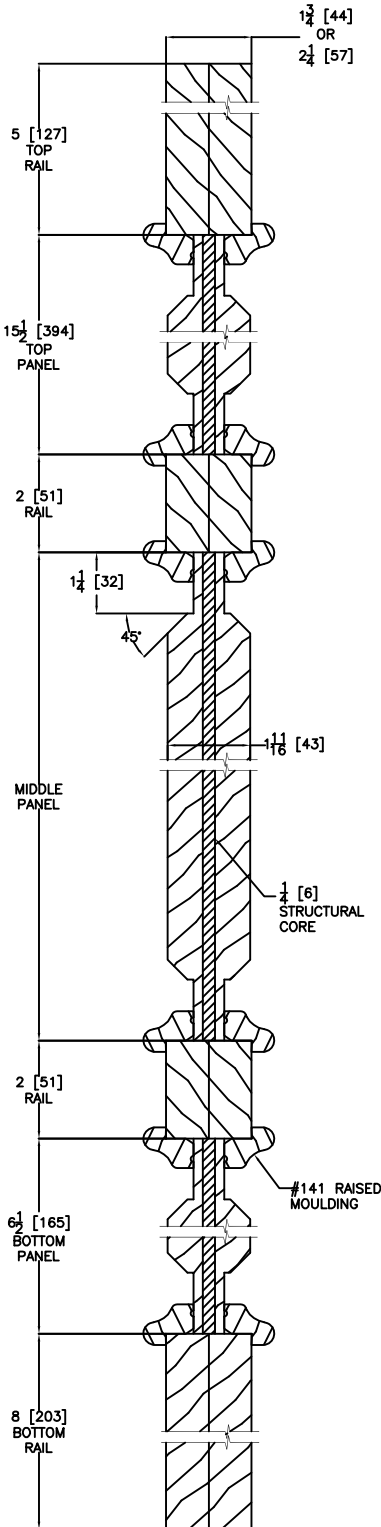


ELEVATION NOTES

Door Size = Book Size Before Prefit
 Daylight Opening (DLO) = Visible Glass
 Values in brackets [] are millimeter conversions.
 (CARVING OPTIONAL)

DOOR CROSS-SECTION

Moulding Profile = 141
 Panel Profile = 45 Degree
 See 225 Cross Section sheet for more detail.



VERTICAL DOOR CROSS SECTION

SEGMENT

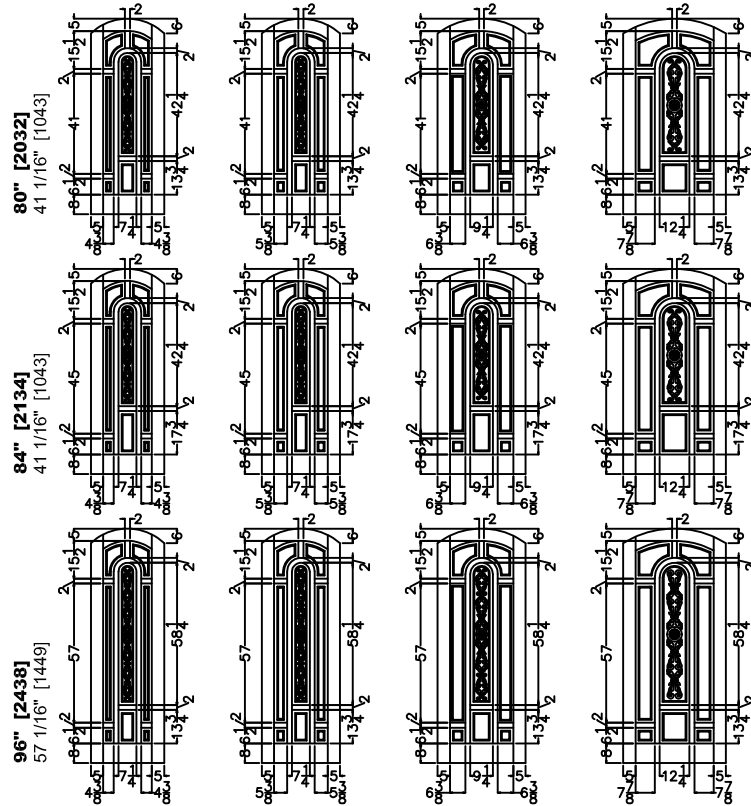
Door Size
 Daylight Opening

30" [762]
 6 1/16" [154]

32" [813]
 6 1/16" [154]

36" [914]
 8 1/16" [205]

42" [1067]
 11 1/16" [281]



HALF SEGMENT

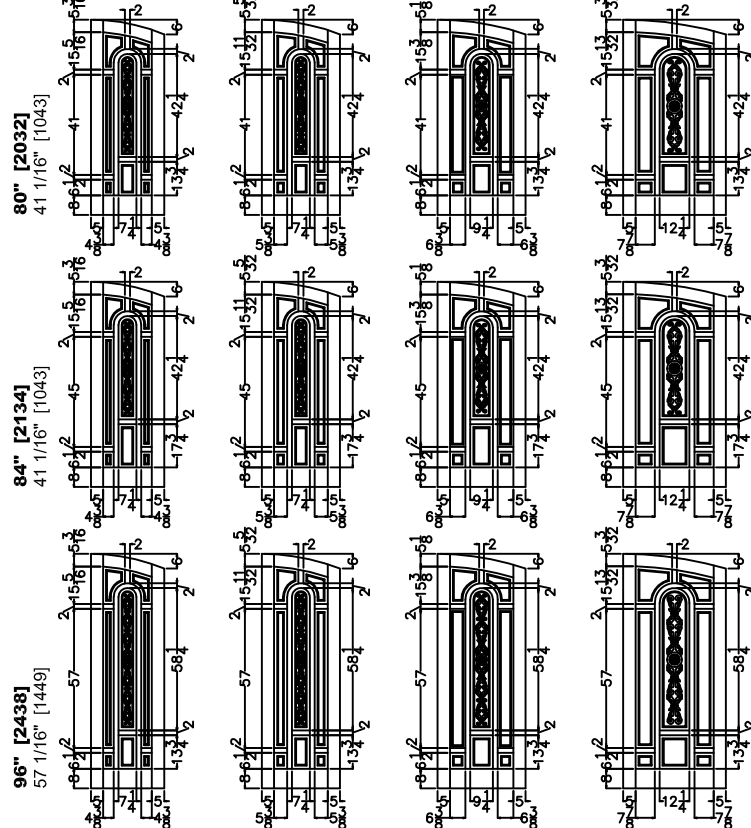
Door Size
 Daylight Opening

30" [762]
 6 1/16" [154]

32" [813]
 6 1/16" [154]

36" [914]
 8 1/16" [205]

42" [1067]
 11 1/16" [281]

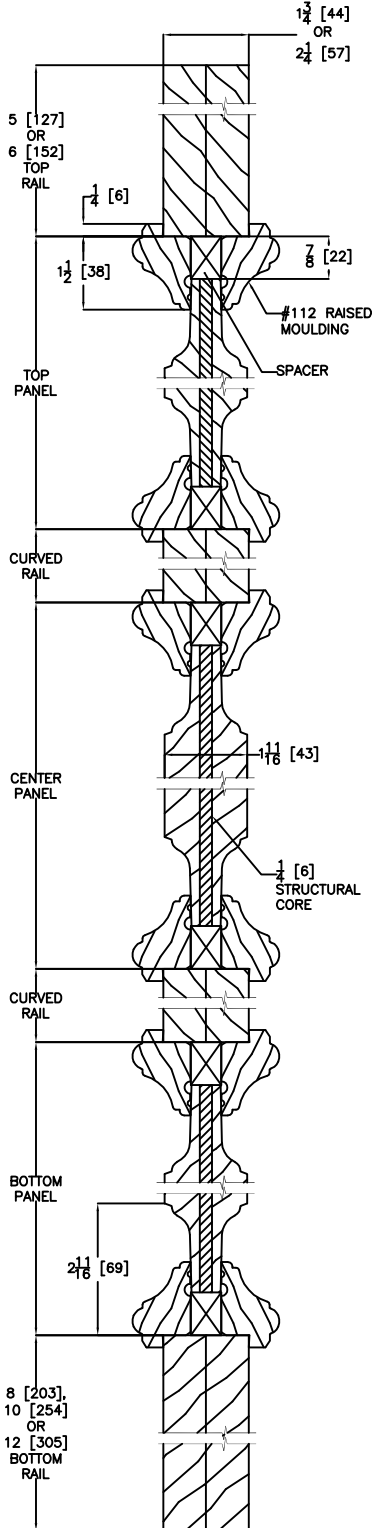


ELEVATION NOTES

Door Size = Book Size Before Prefit
Daylight Opening (DLO) = Visible Glass
Values in brackets [] are millimeter conversions.

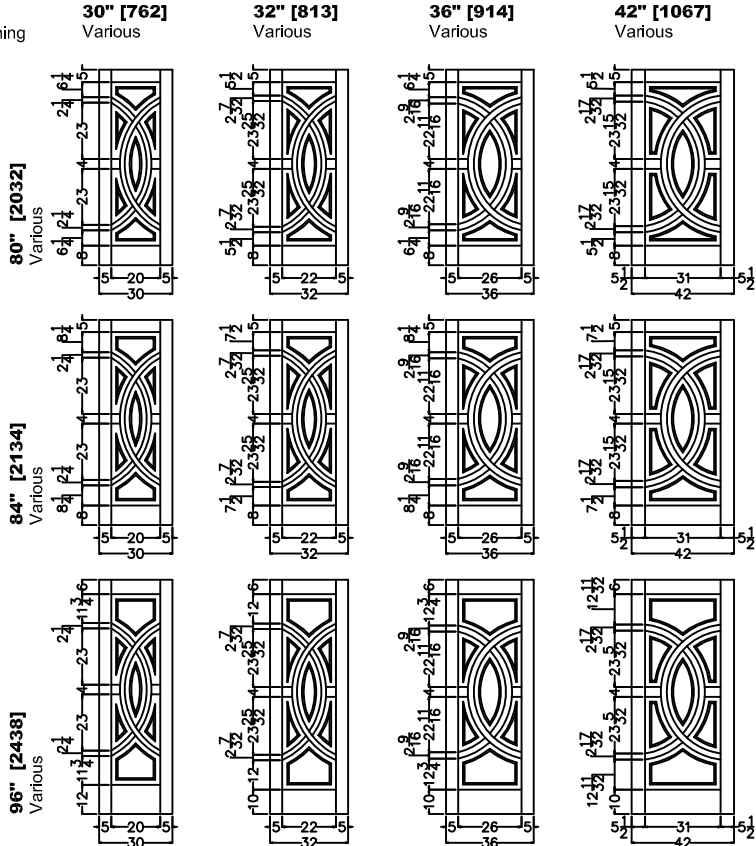
DOOR CROSS-SECTION

Moulding Profile = 112
Panel Profile = Double Hip
See 252 Cross Section sheet for more detail.

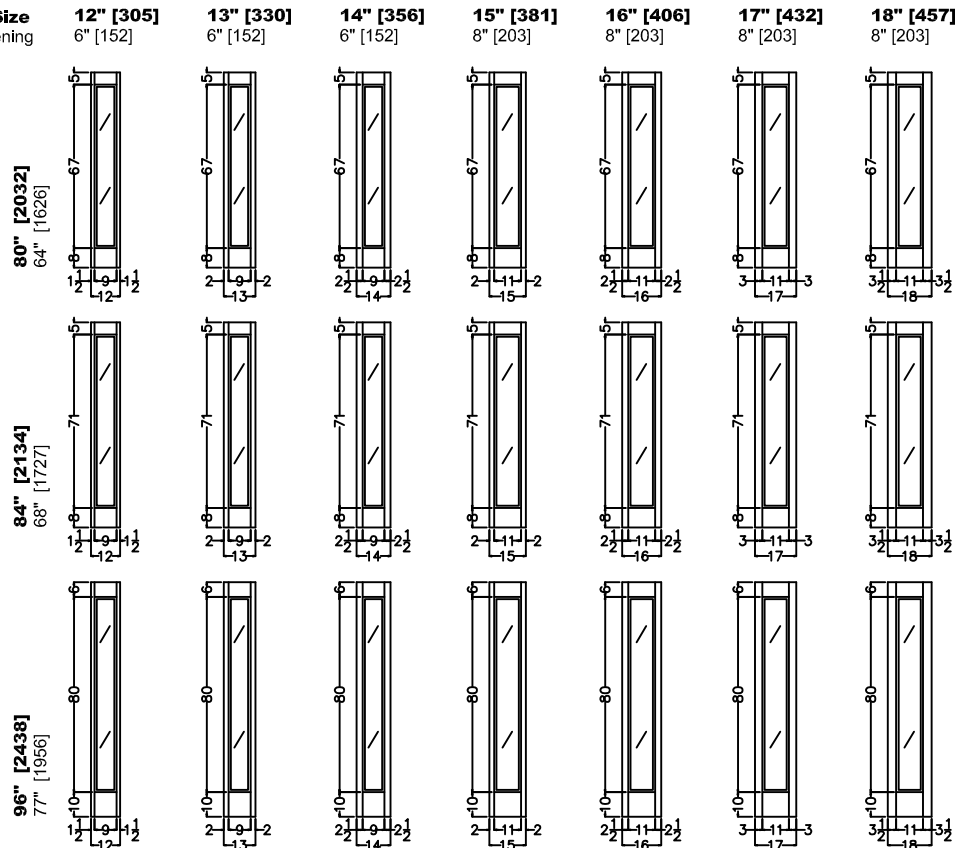


VERTICAL DOOR CROSS SECTION

Door Size
Daylight Opening



Sidelight Size
Daylight Opening

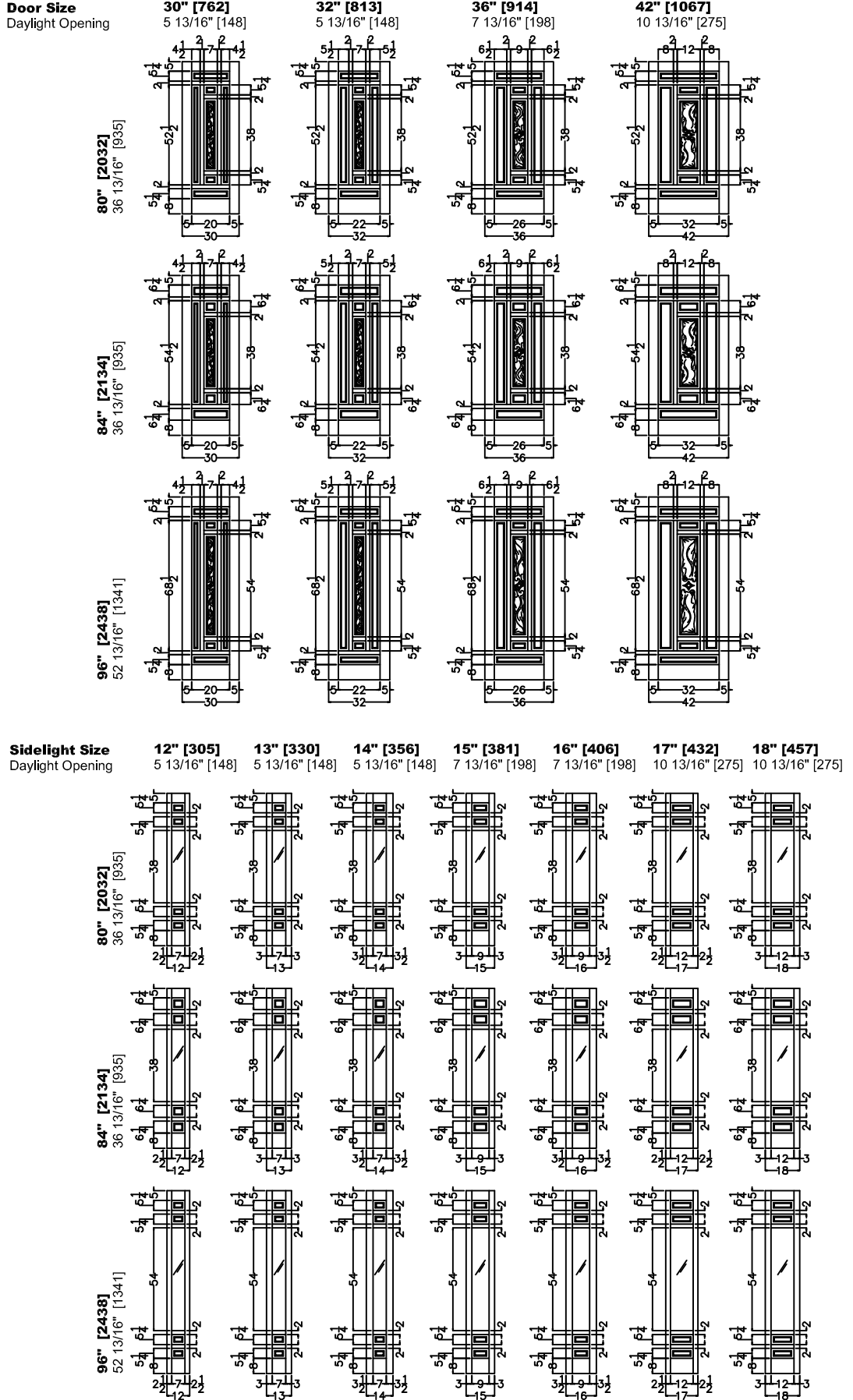
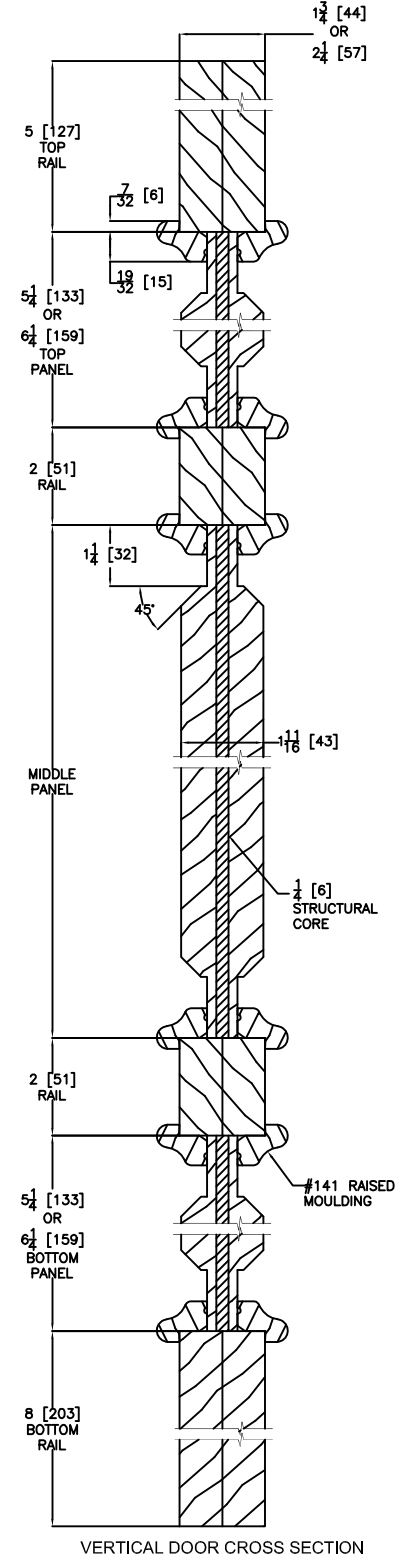


ELEVATION NOTES

Door Size = Book Size Before Prefit
 Daylight Opening (DLO) = Visible Glass
 Values in brackets [] are millimeter conversions.
 (CARVING OPTIONAL)

DOOR CROSS-SECTION

Moulding Profile = 141
 Panel Profile = 45 Degree
 See 302 Cross Section sheet for more detail.

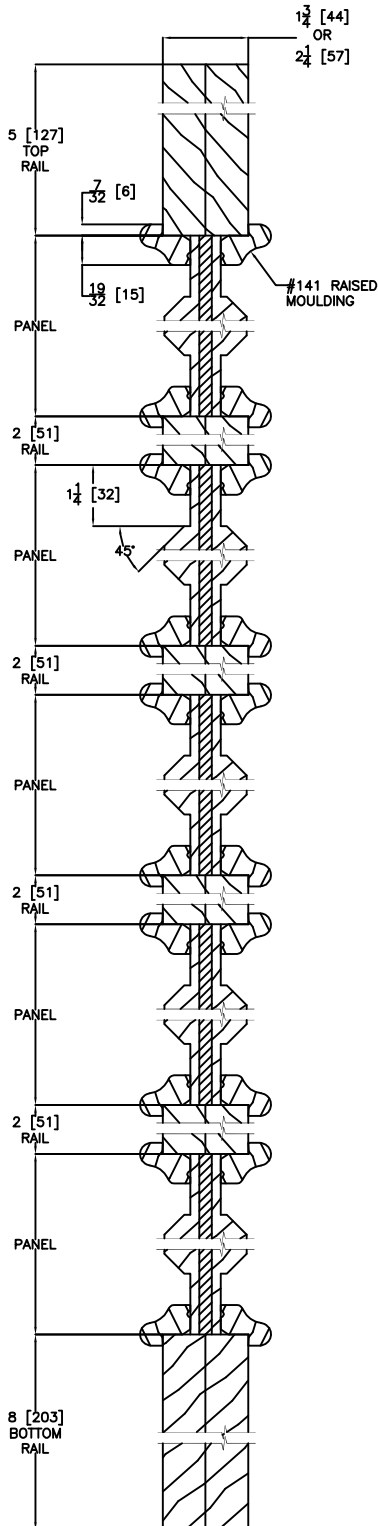


ELEVATION NOTES

Door Size = Book Size Before Prefit
 Daylight Opening (DLO) = Visible Glass
 Values in brackets [] are millimeter conversions.

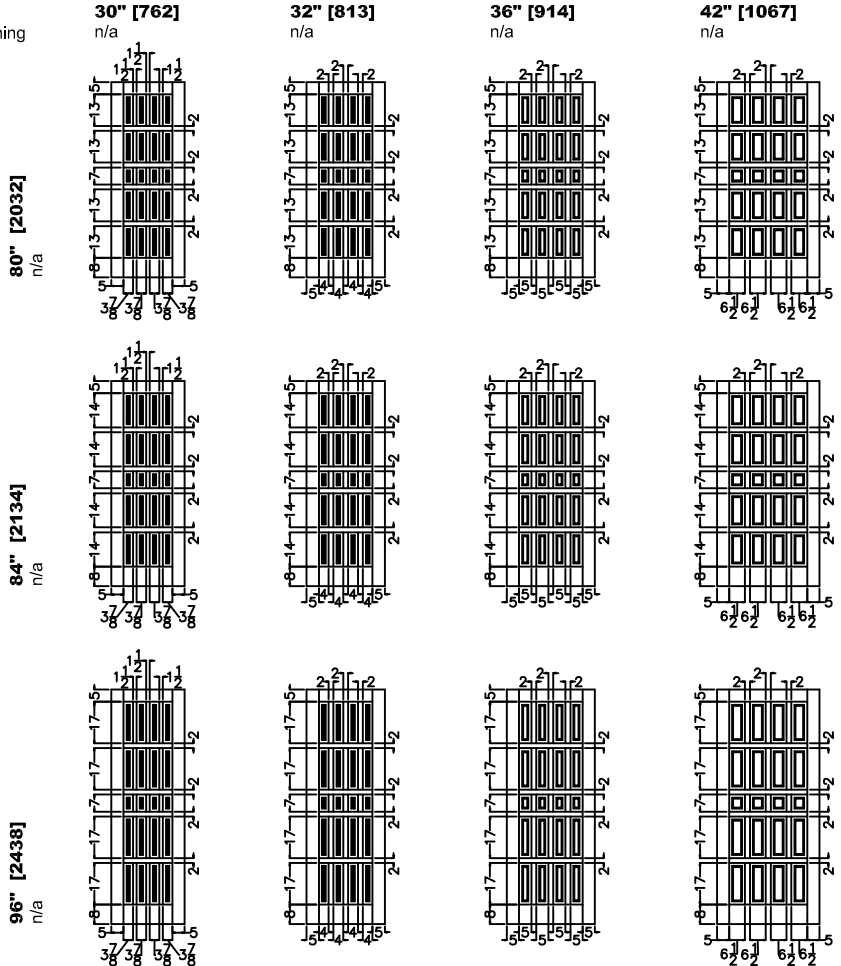
DOOR CROSS-SECTION

Moulding Profile = 141
 Panel Profile = 45 Degree
 See 305 Cross Section sheet for more detail.



VERTICAL DOOR CROSS SECTION

Door Size
 Daylight Opening

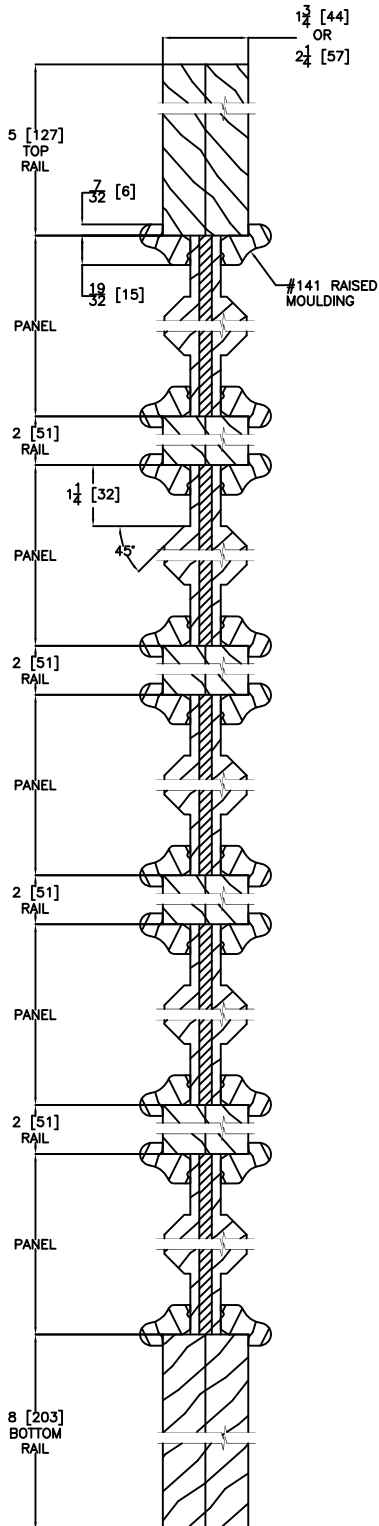


ELEVATION NOTES

Door Size = Book Size Before Prefit
 Daylight Opening (DLO) = Visible Glass
 Values in brackets [] are millimeter conversions.

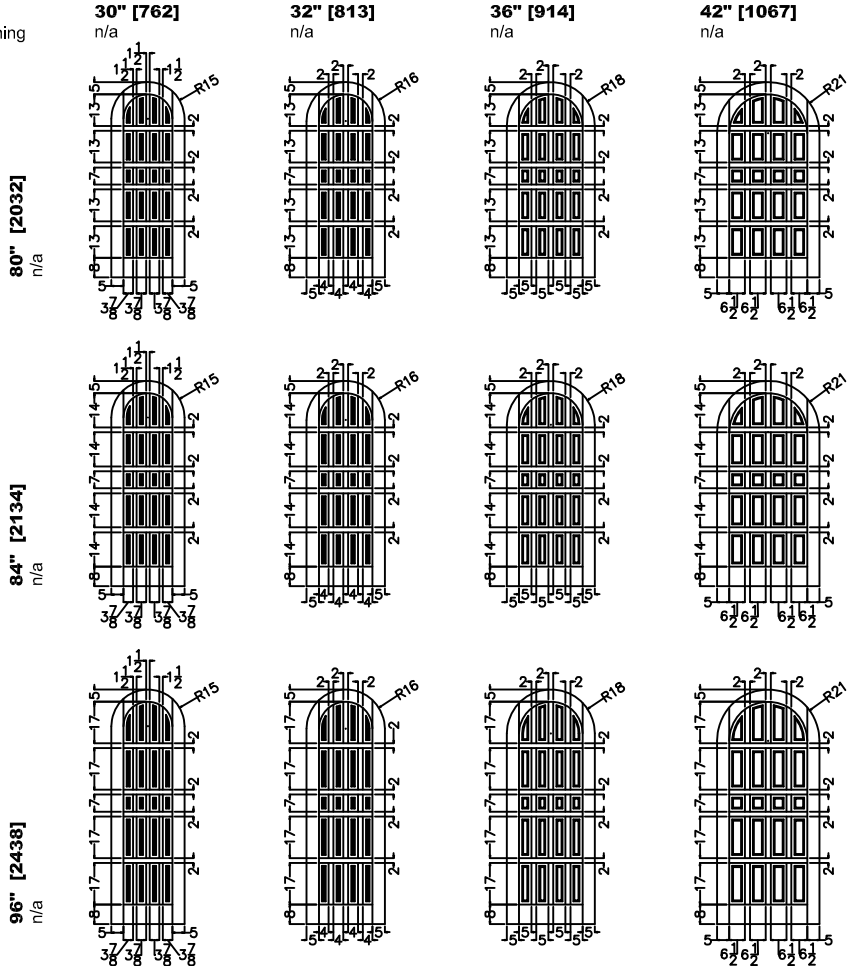
DOOR CROSS-SECTION

Moulding Profile = 141
 Panel Profile = 45 Degree
 See 305 Cross Section sheet for more detail.



RADIUS TOP

Door Size
 Daylight Opening



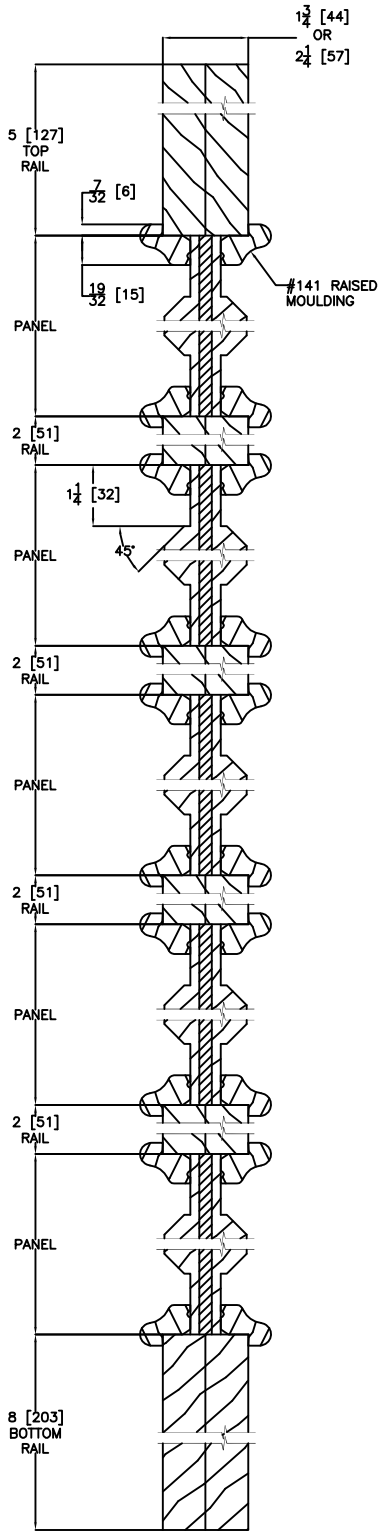
VERTICAL DOOR CROSS SECTION

ELEVATION NOTES

Door Size = Book Size Before Prefit
 Daylight Opening (DLO) = Visible Glass
 Values in brackets [] are millimeter conversions.

DOOR CROSS-SECTION

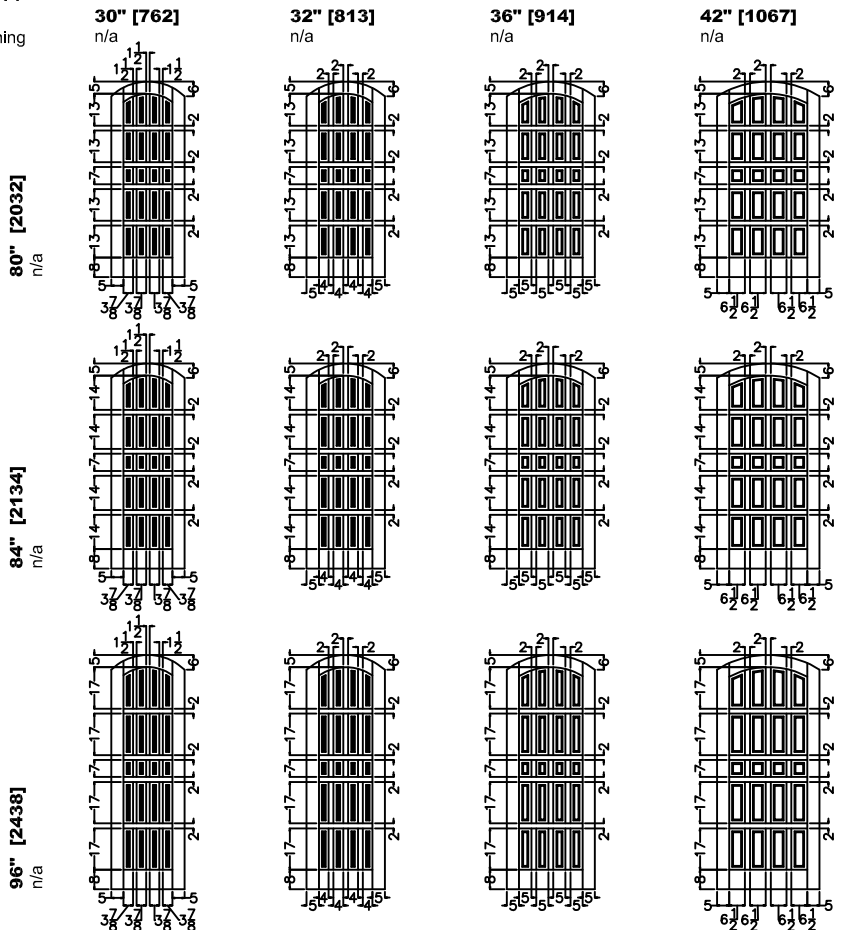
Moulding Profile = 141
 Panel Profile = 45 Degree
 See 305 Cross Section sheet for more detail.



VERTICAL DOOR CROSS SECTION

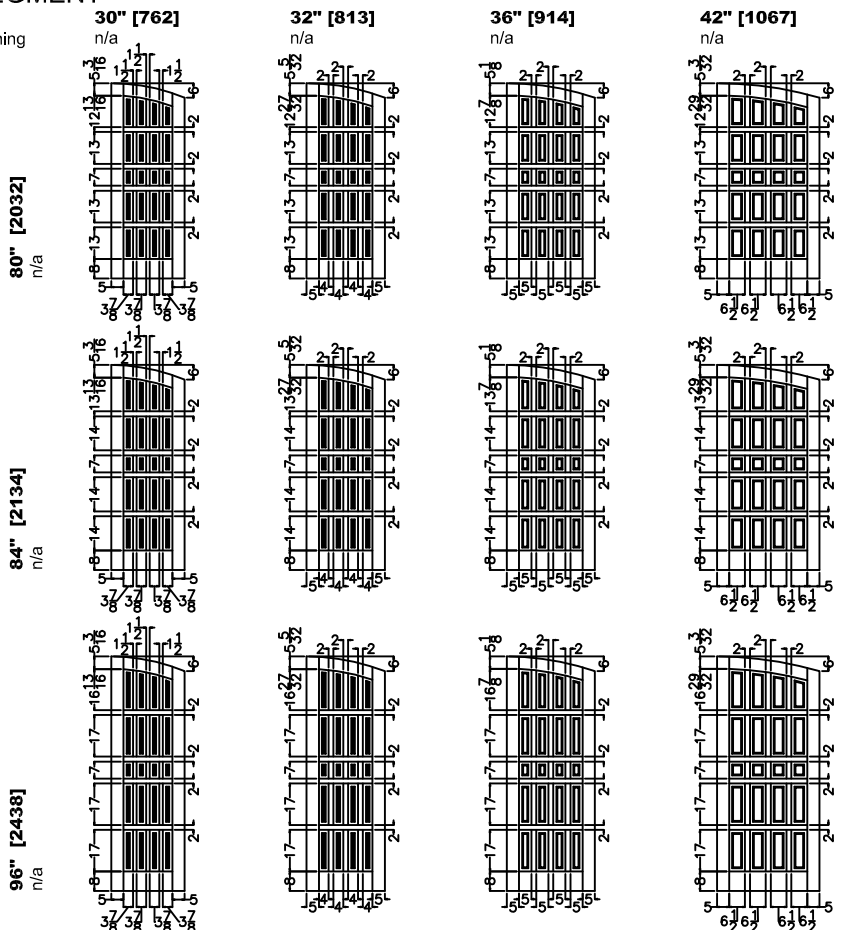
SEGMENT

Door Size
 Daylight Opening



HALF SEGMENT

Door Size
 Daylight Opening

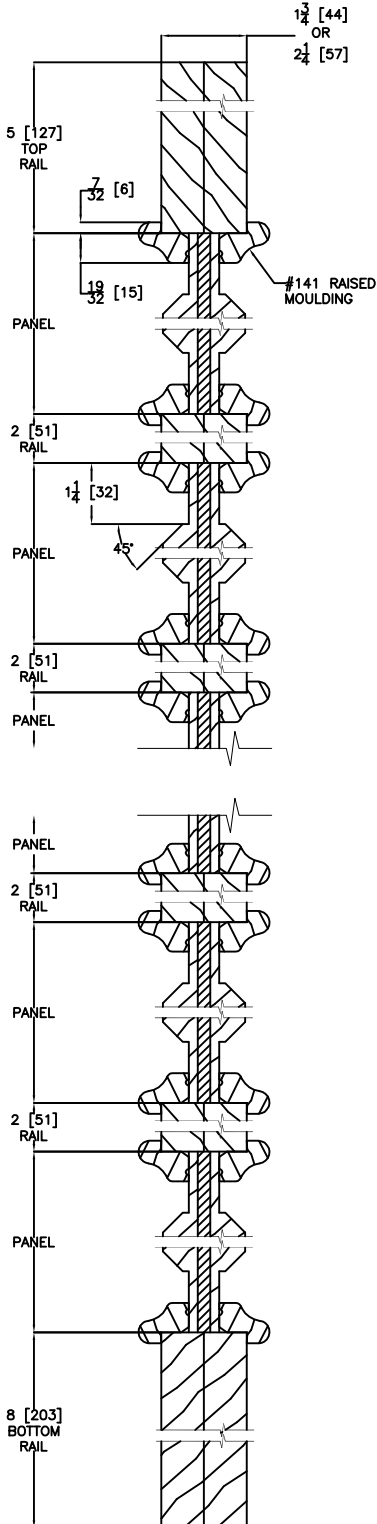


ELEVATION NOTES

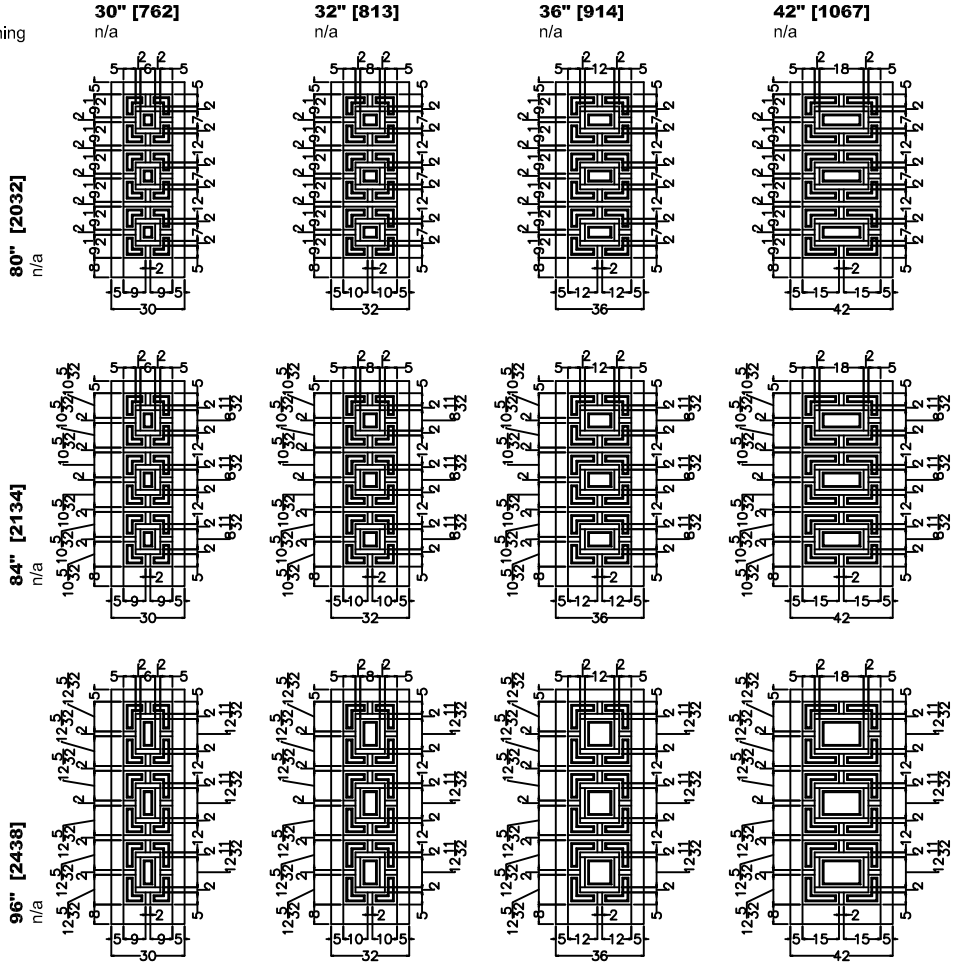
Door Size = Book Size Before Prefit
 Daylight Opening (DLO) = Visible Glass
 Values in brackets [] are millimeter conversions.

DOOR CROSS-SECTION

Moulding Profile = 141
 Panel Profile = 45 Degree
 See 320 Cross Section sheet for more detail.



Door Size
 Daylight Opening



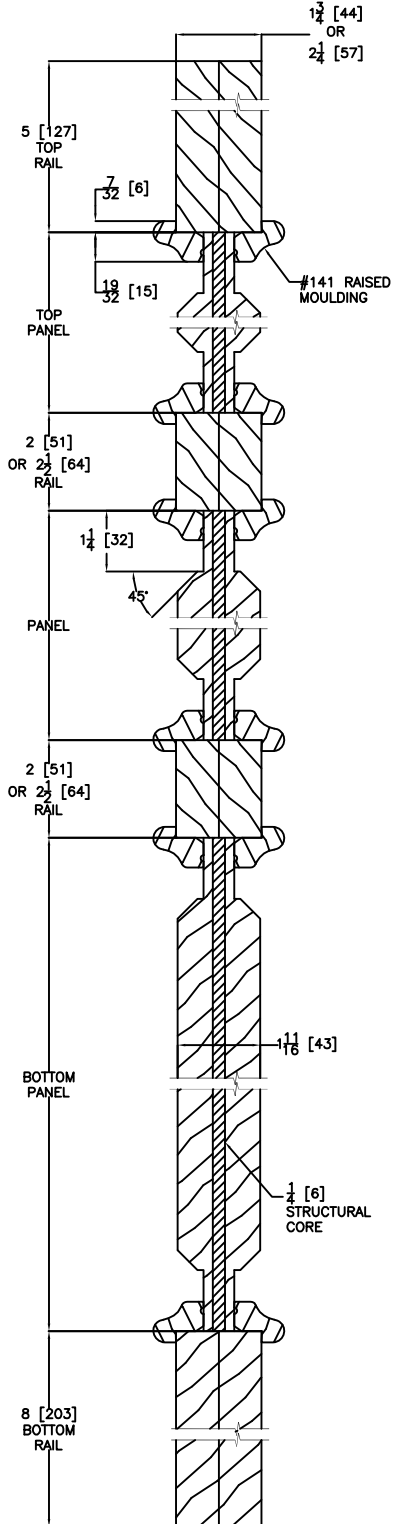
VERTICAL DOOR CROSS SECTION

ELEVATION NOTES

Door Size = Book Size Before Prefit
 Daylight Opening (DLO) = Visible Glass
 Values in brackets [] are millimeter conversions.

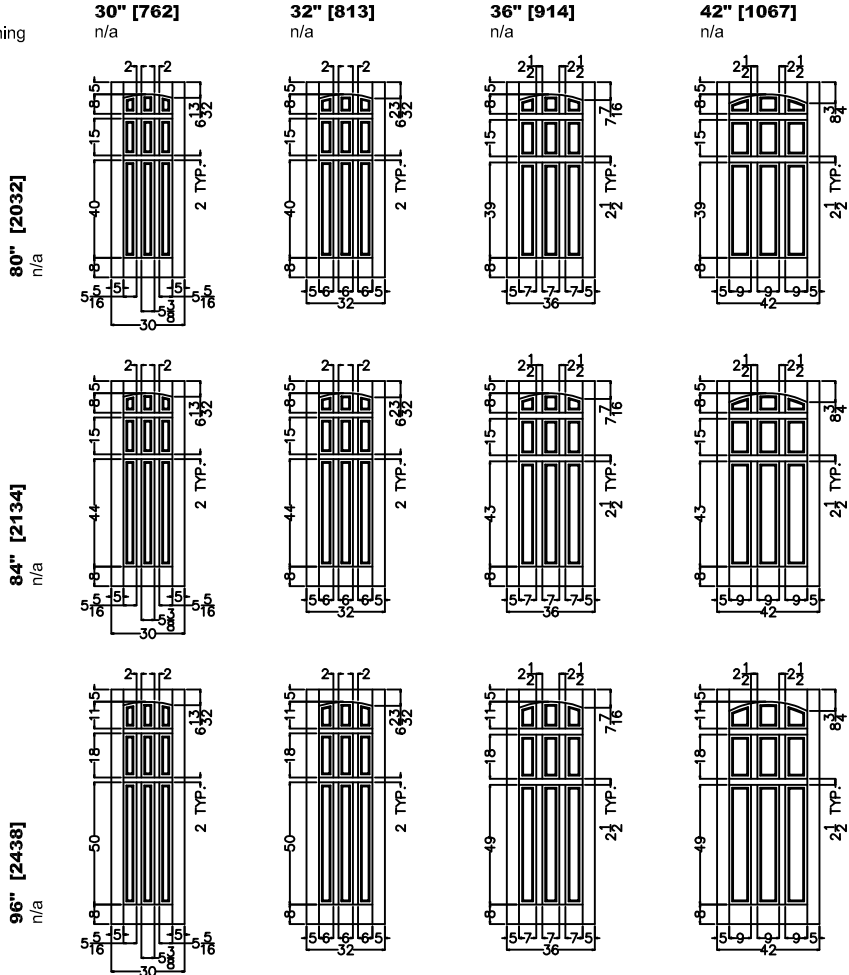
DOOR CROSS-SECTION

Moulding Profile = 141
 Panel Profile = 45 Degree
 See 370 Cross Section sheet for more detail.



VERTICAL DOOR CROSS SECTION

Door Size
 Daylight Opening

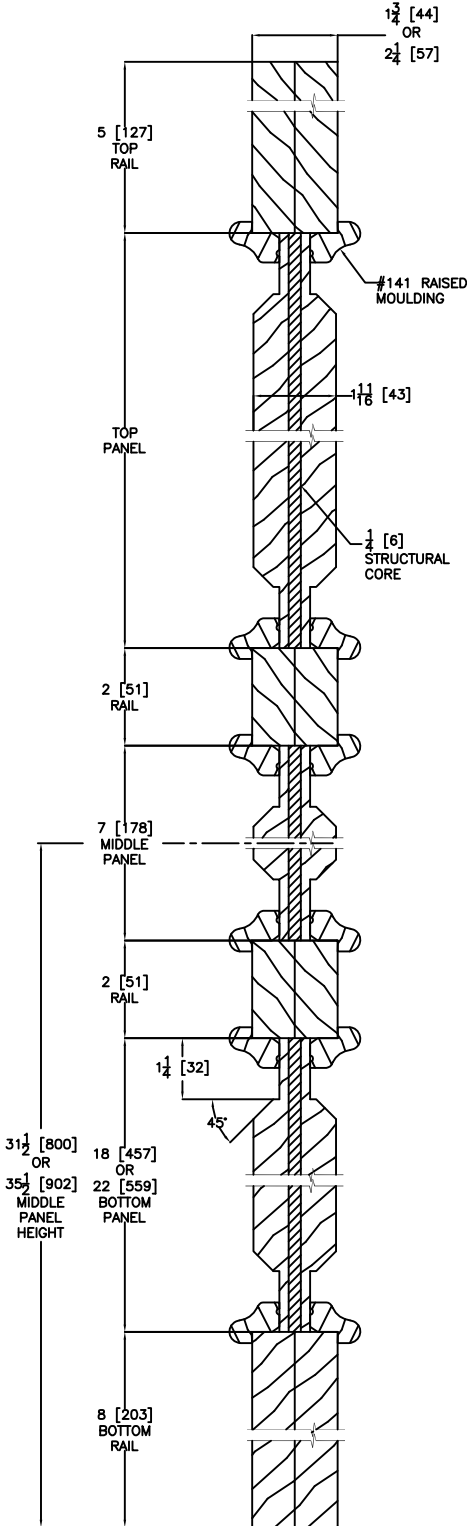


ELEVATION NOTES

Door Size = Book Size Before Prefit
 Daylight Opening (DLO) = Visible Glass
 Values in brackets [] are millimeter conversions.
 (CARVING OPTIONAL)

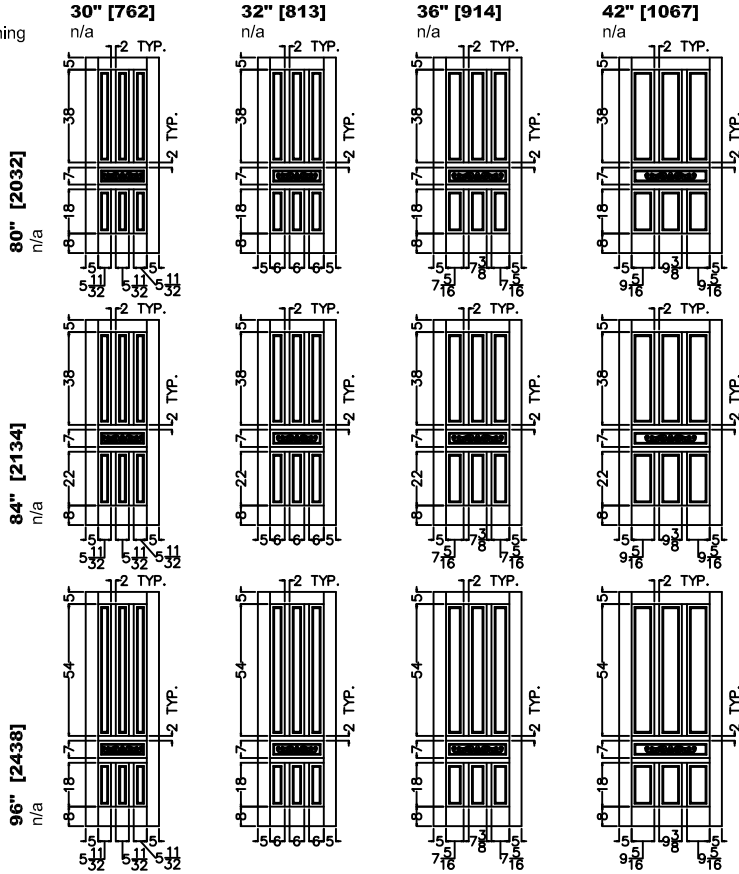
DOOR CROSS-SECTION

Moulding Profile = 141
 Panel Profile = 45 Degree
 See 403 Cross Section sheet for more detail.



VERTICAL DOOR CROSS SECTION

Door Size
 Daylight Opening

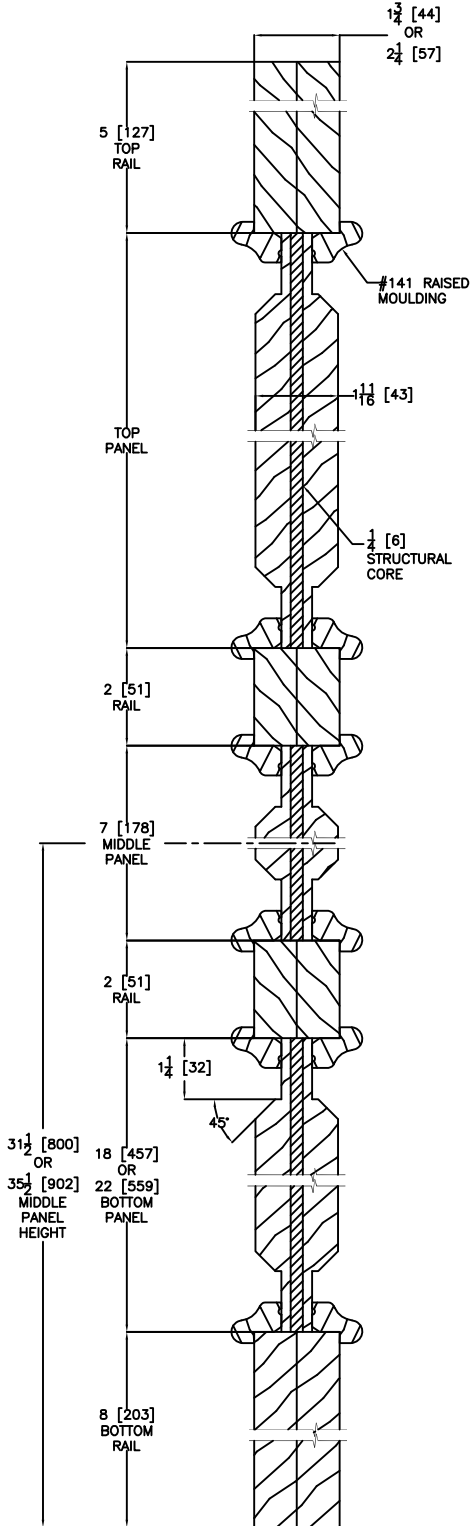


ELEVATION NOTES

Door Size = Book Size Before Prefit
 Daylight Opening (DLO) = Visible Glass
 Values in brackets [] are millimeter conversions.
 (CARVING OPTIONAL)

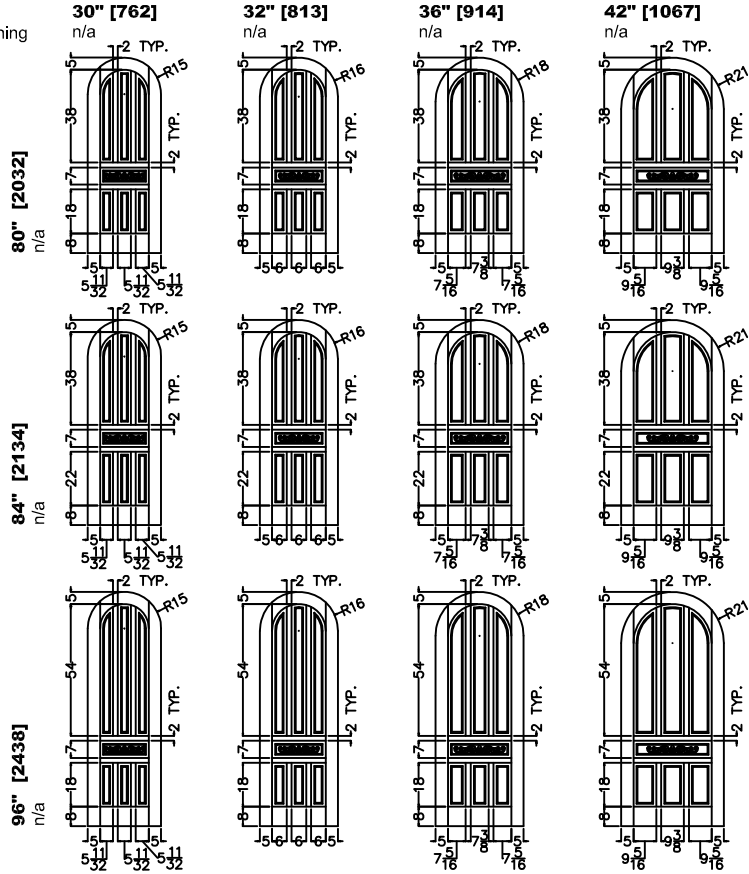
DOOR CROSS-SECTION

Moulding Profile = 141
 Panel Profile = 45 Degree
 See 403 Cross Section sheet for more detail.



RADIUS

Door Size
 Daylight Opening



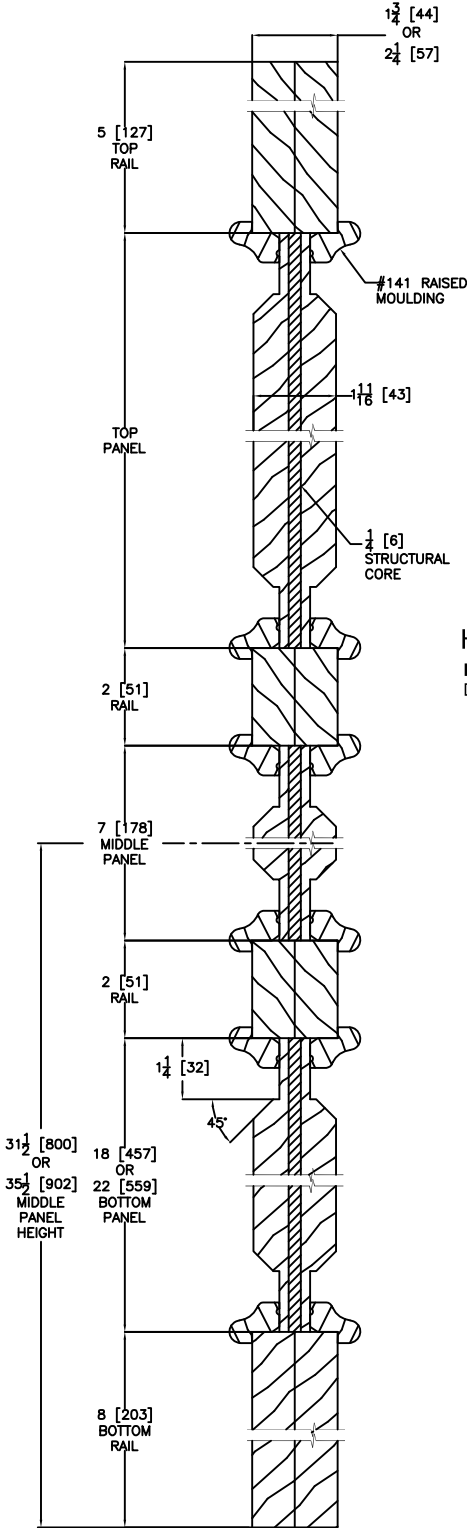
VERTICAL DOOR CROSS SECTION

ELEVATION NOTES

Door Size = Book Size Before Prefit
 Daylight Opening (DLO) = Visible Glass
 Values in brackets [] are millimeter conversions.
 (CARVING OPTIONAL)

DOOR CROSS-SECTION

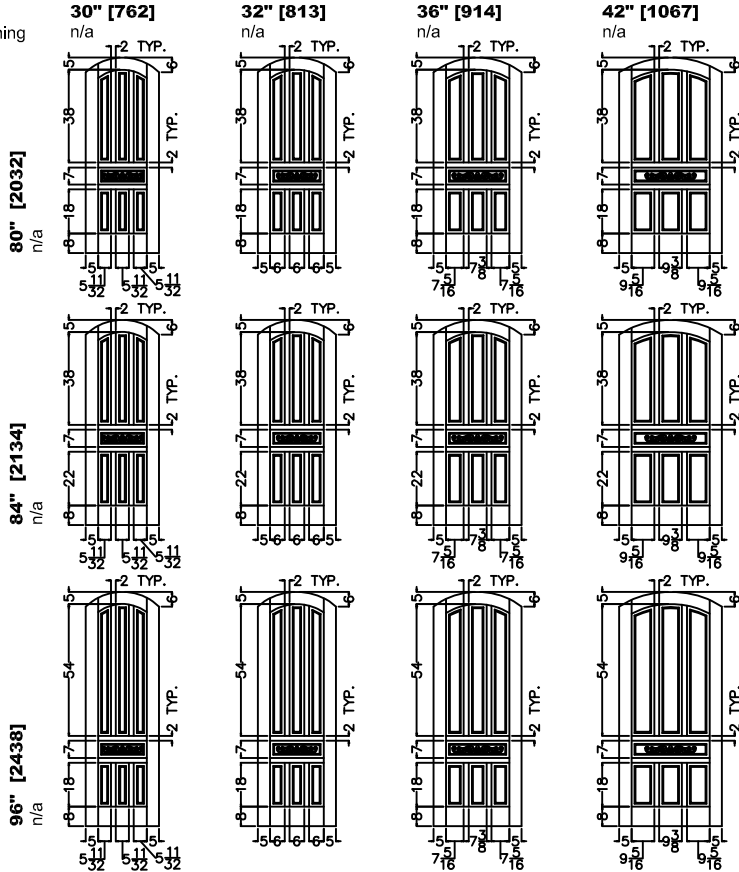
Moulding Profile = 141
 Panel Profile = 45 Degree
 See 403 Cross Section sheet for more detail.



VERTICAL DOOR CROSS SECTION

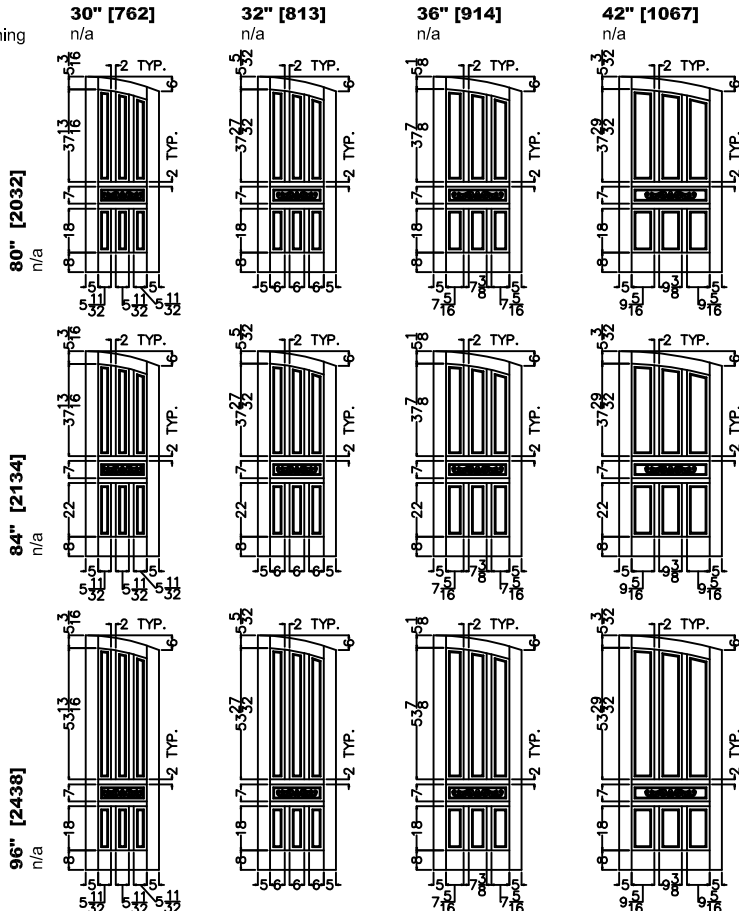
SEGMENT

Door Size
 Daylight Opening



HALF SEGMENT

Door Size
 Daylight Opening

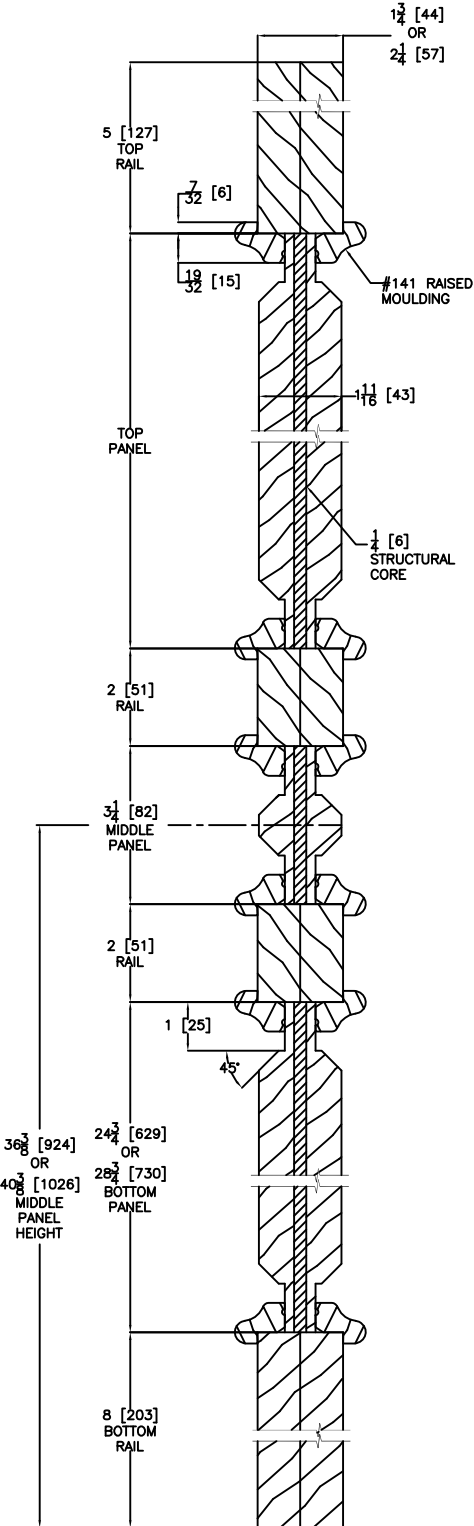


ELEVATION NOTES

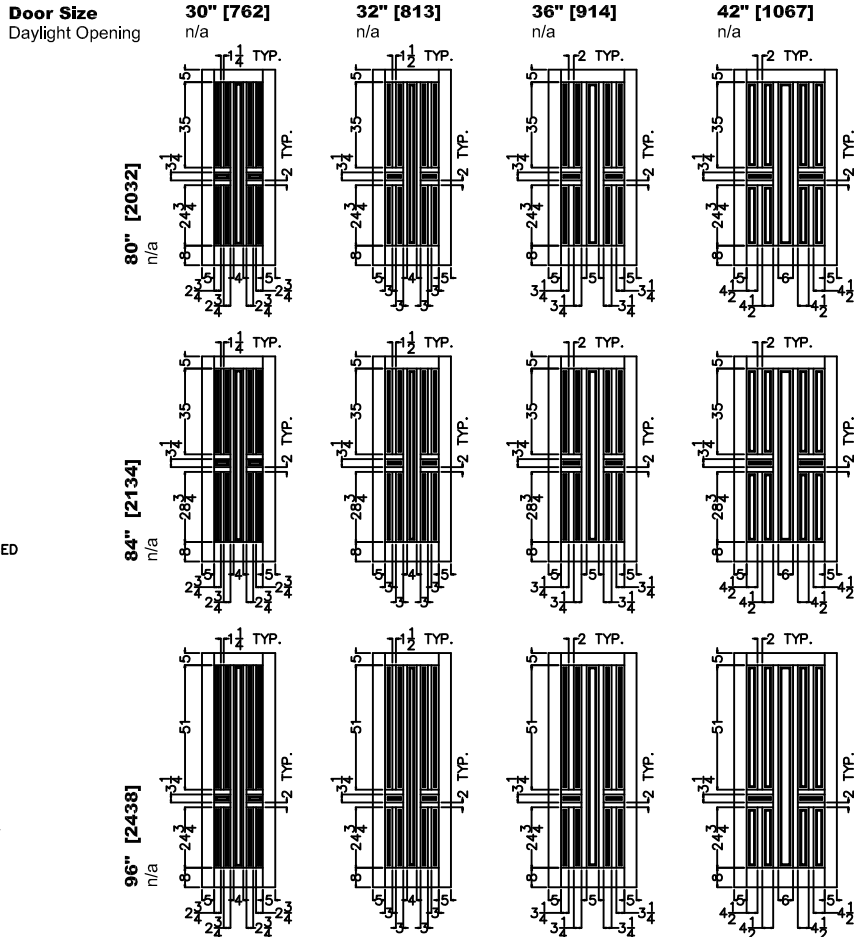
Door Size = Book Size Before Prefit
 Daylight Opening (DLO) = Visible Glass
 Values in brackets [] are millimeter conversions.

DOOR CROSS-SECTION

Moulding Profile = 141
 Panel Profile = 45 Degree
 See 422 Cross Section sheet for more detail.



VERTICAL DOOR CROSS SECTION

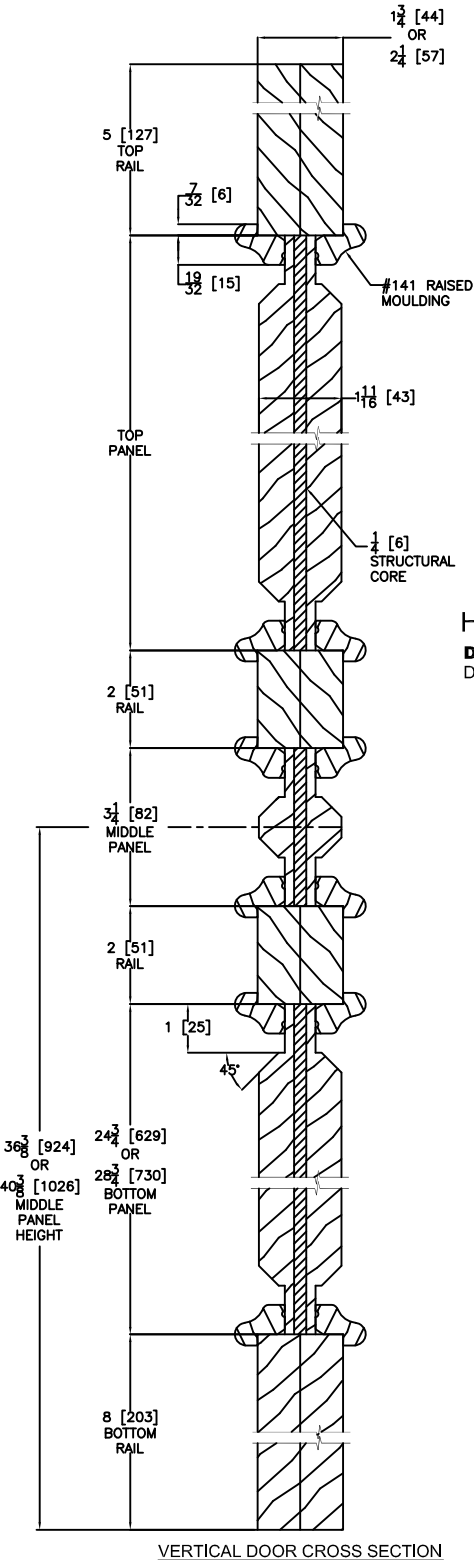


ELEVATION NOTES

Door Size = Book Size Before Prefit
 Daylight Opening (DLO) = Visible Glass
 Values in brackets [] are millimeter conversions.

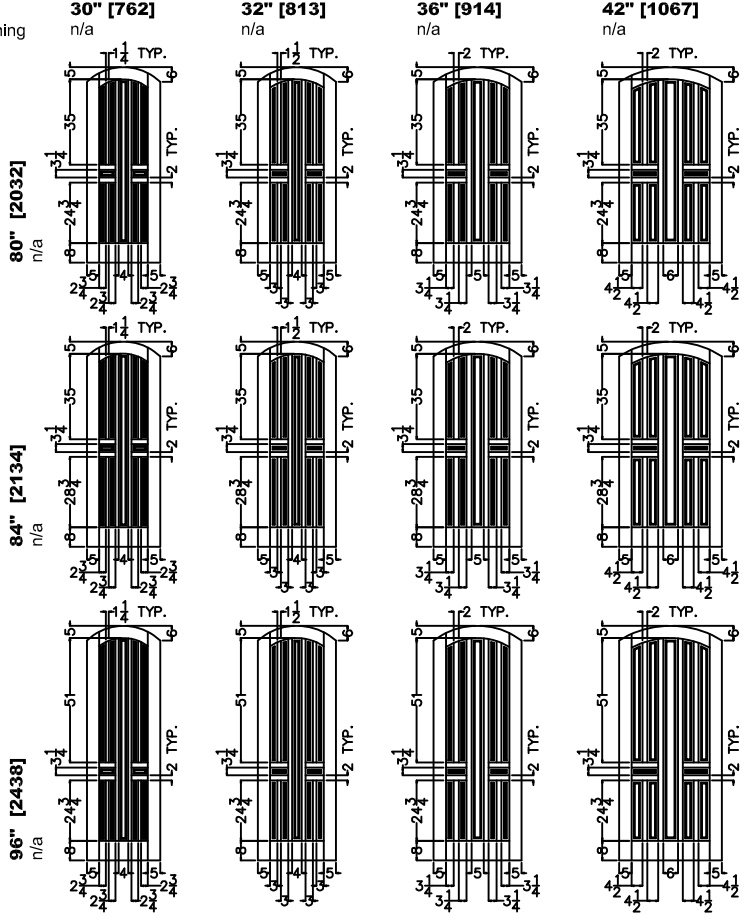
DOOR CROSS-SECTION

Moulding Profile = 141
 Panel Profile = 45 Degree
 See 422 Cross Section sheet for more detail.



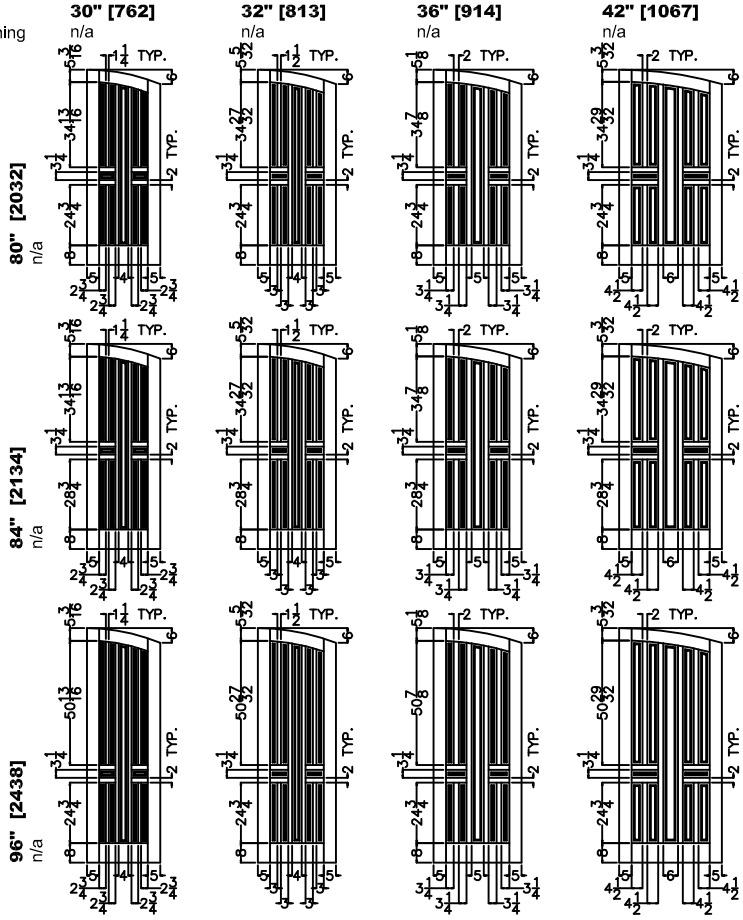
SEGMENT

Door Size
 Daylight Opening



HALF SEGMENT

Door Size
 Daylight Opening

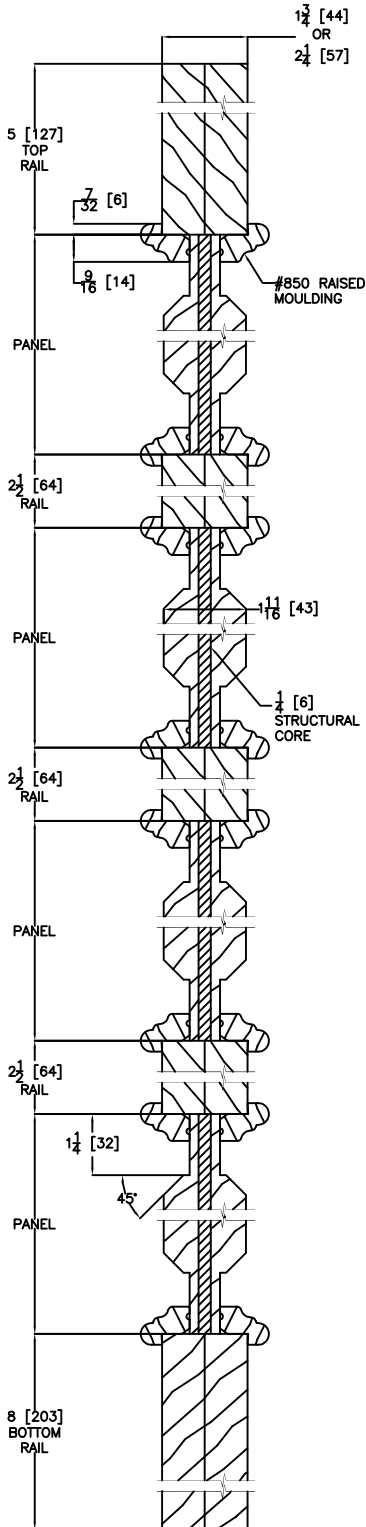


ELEVATION NOTES

Door Size = Book Size Before Prefit
 Daylight Opening (DLO) = Visible Glass
 Values in brackets [] are millimeter conversions.

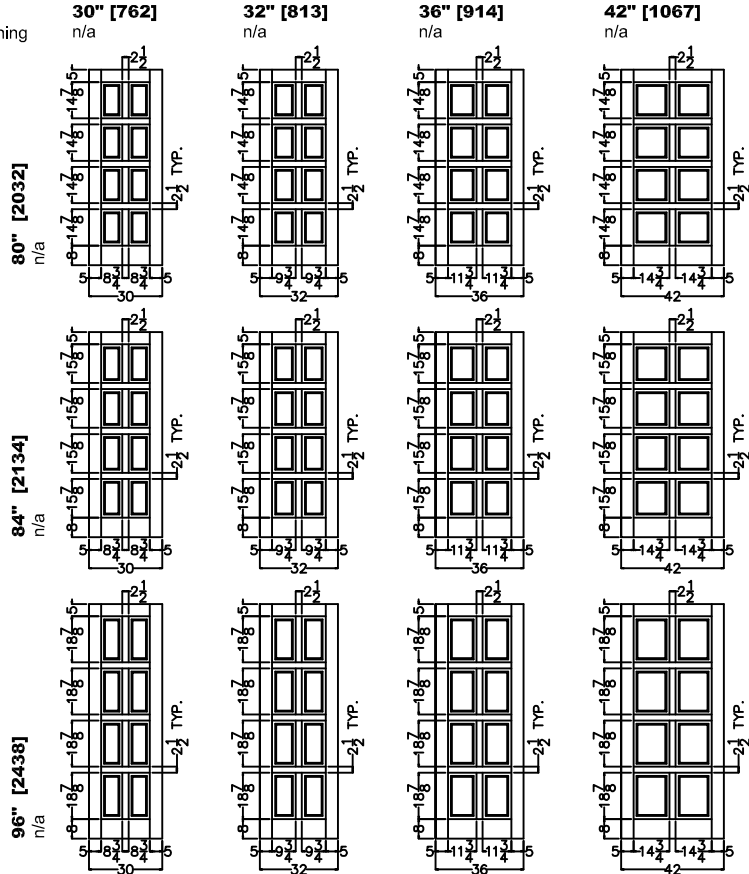
DOOR CROSS-SECTION

Moulding Profile = 850
 Panel Profile = 45 Degree
 See 708 Cross Section sheet for more detail.



VERTICAL DOOR CROSS SECTION

Door Size
 Daylight Opening

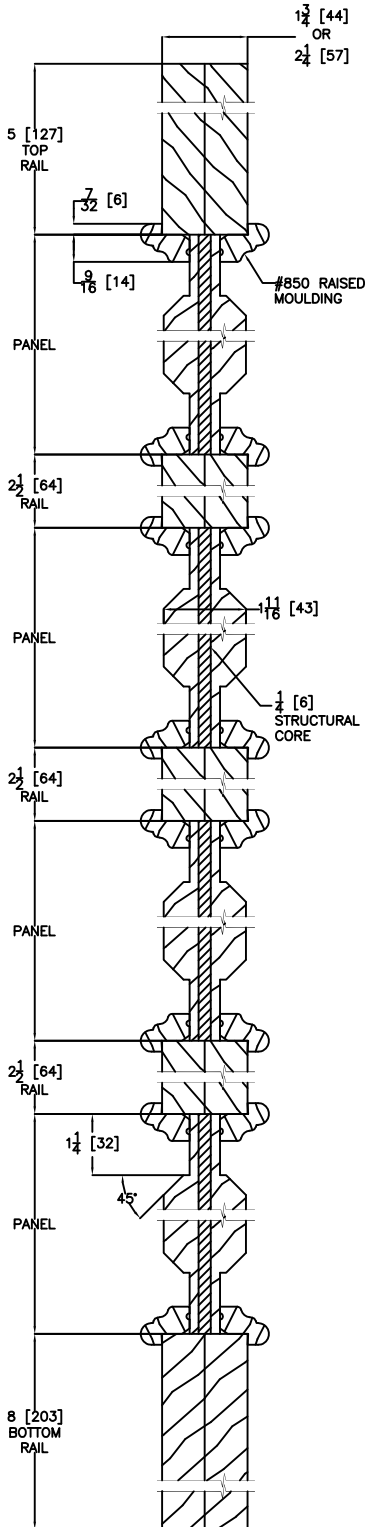


ELEVATION NOTES

Door Size = Book Size Before Prefit
 Daylight Opening (DLO) = Visible Glass
 Values in brackets [] are millimeter conversions.

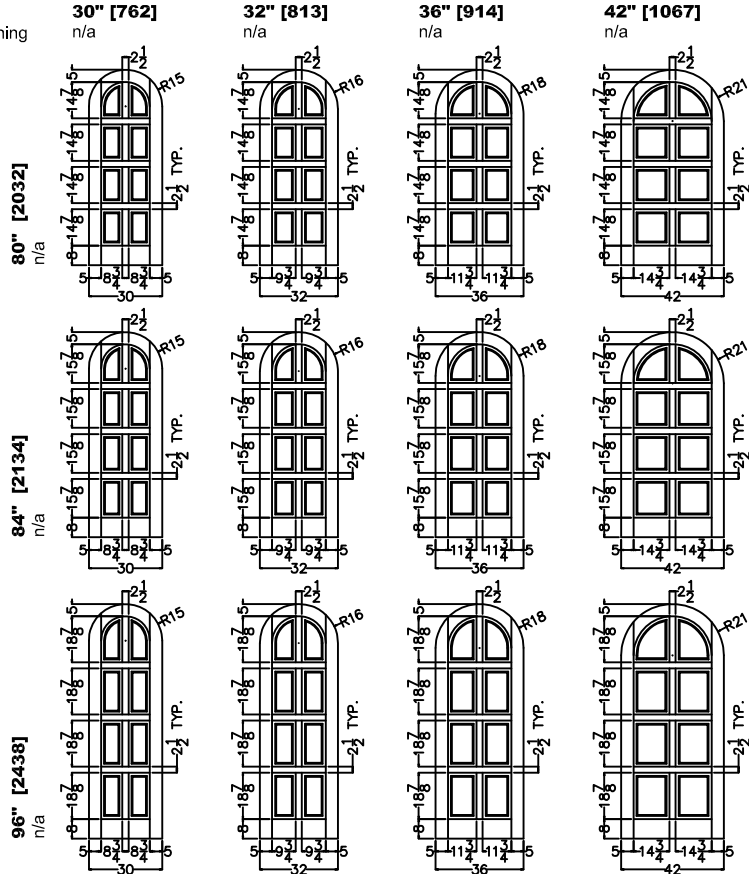
DOOR CROSS-SECTION

Moulding Profile = 850
 Panel Profile = 45 Degree
 See 708 Cross Section sheet for more detail.



RADIUS

Door Size
 Daylight Opening



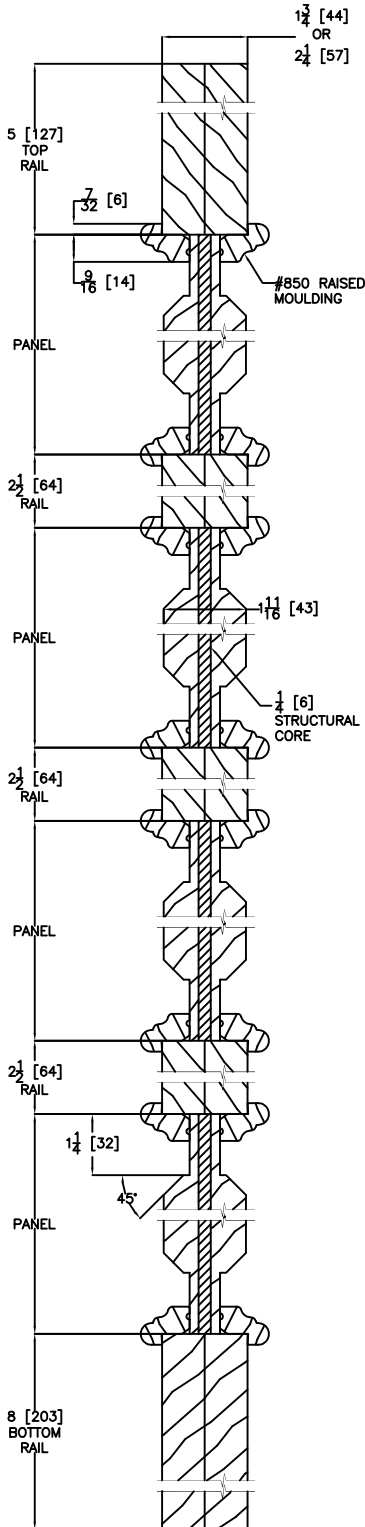
VERTICAL DOOR CROSS SECTION

ELEVATION NOTES

Door Size = Book Size Before Prefit
 Daylight Opening (DLO) = Visible Glass
 Values in brackets [] are millimeter conversions.

DOOR CROSS-SECTION

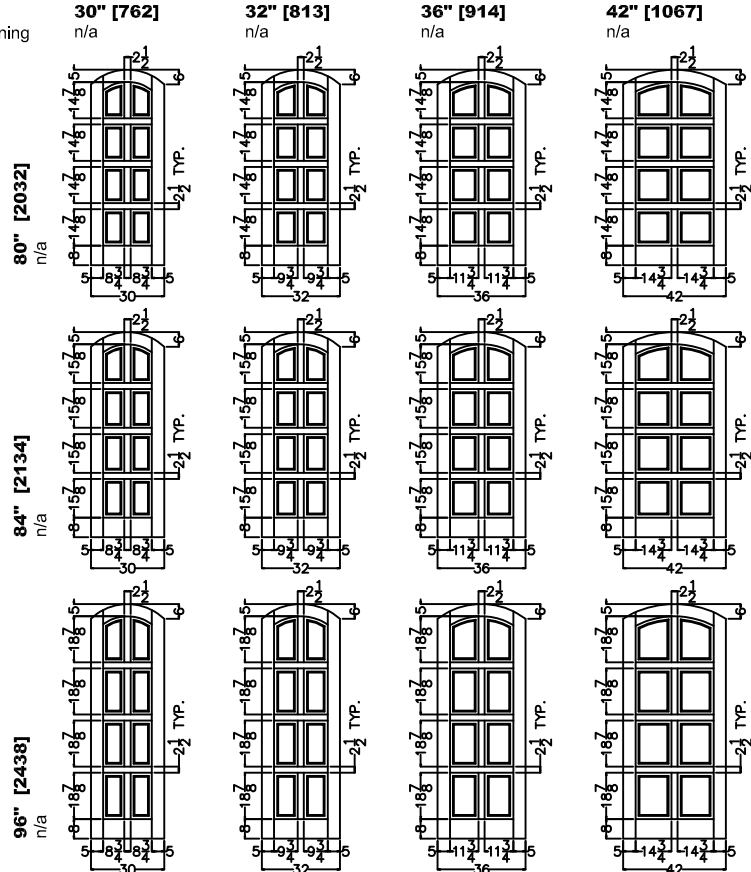
Moulding Profile = 850
 Panel Profile = 45 Degree
 See 708 Cross Section sheet for more detail.



VERTICAL DOOR CROSS SECTION

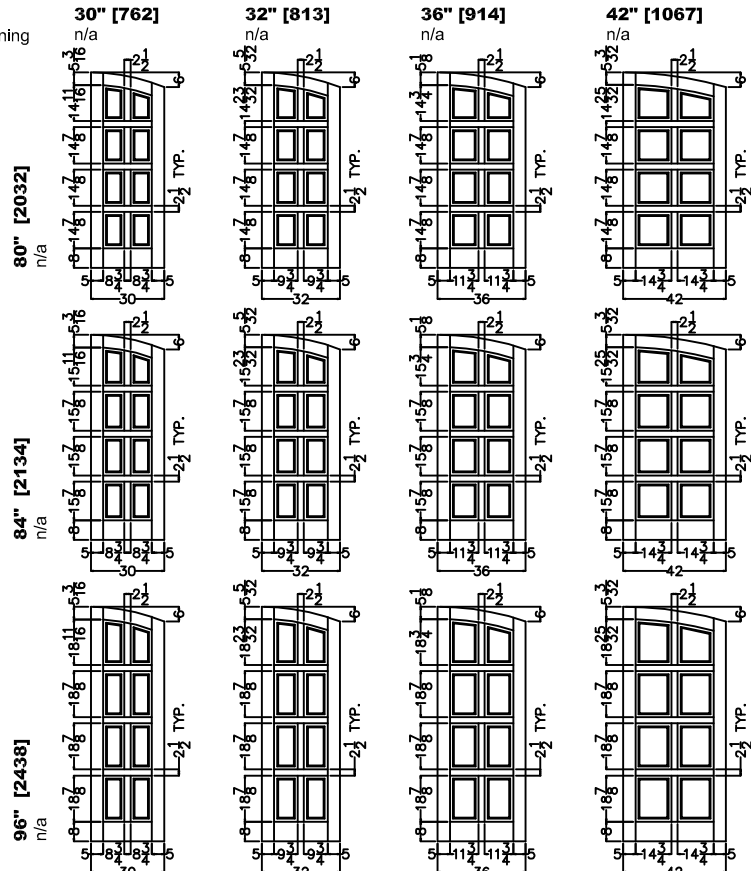
SEGMENT

Door Size
 Daylight Opening



HALF SEGMENT

Door Size
 Daylight Opening

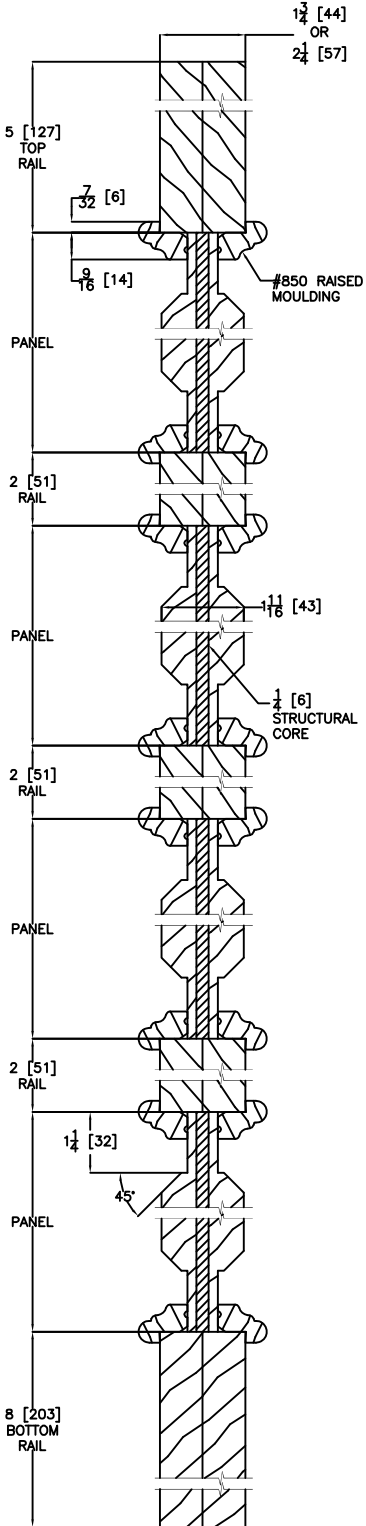


ELEVATION NOTES

Door Size = Book Size Before Prefit
 Daylight Opening (DLO) = Visible Glass
 Values in brackets [] are millimeter conversions.

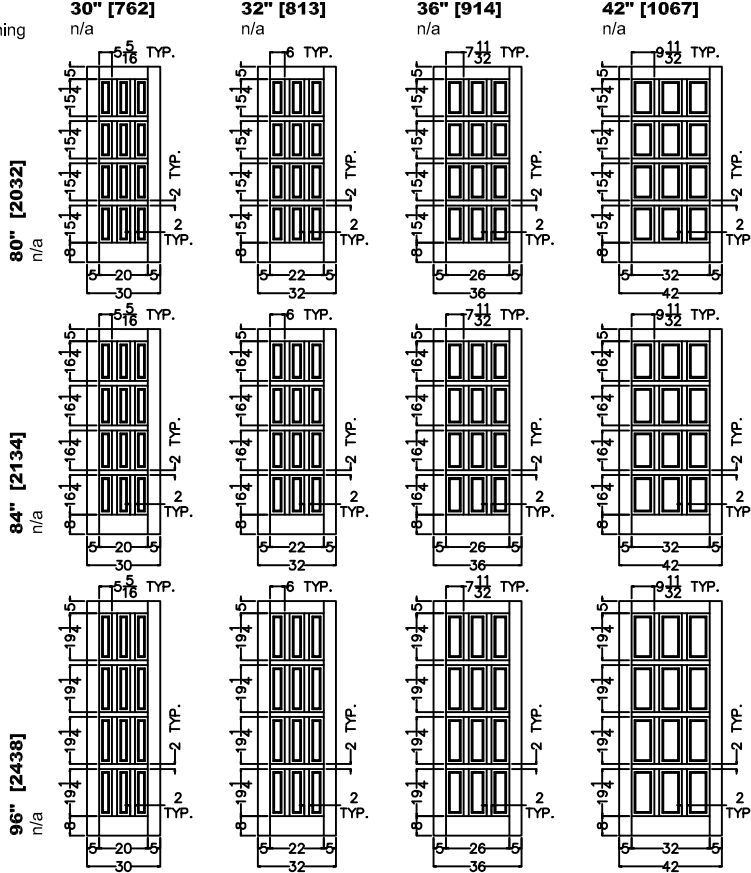
DOOR CROSS-SECTION

Moulding Profile = 850
 Panel Profile = 45 Degree
 See 712 Cross Section sheet for more detail.



VERTICAL DOOR CROSS SECTION

Door Size
 Daylight Opening

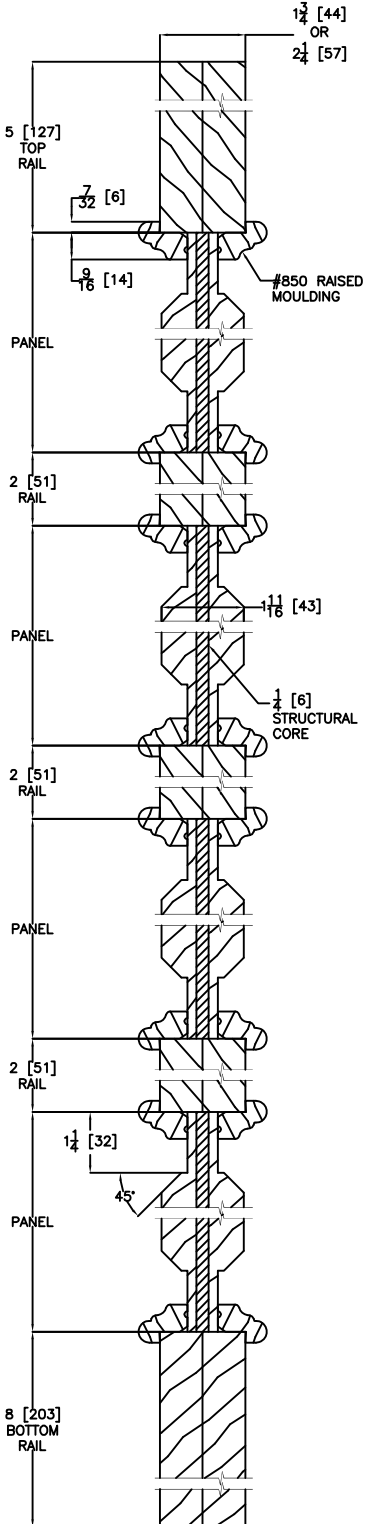


ELEVATION NOTES

Door Size = Book Size Before Prefit
 Daylight Opening (DLO) = Visible Glass
 Values in brackets [] are millimeter conversions.

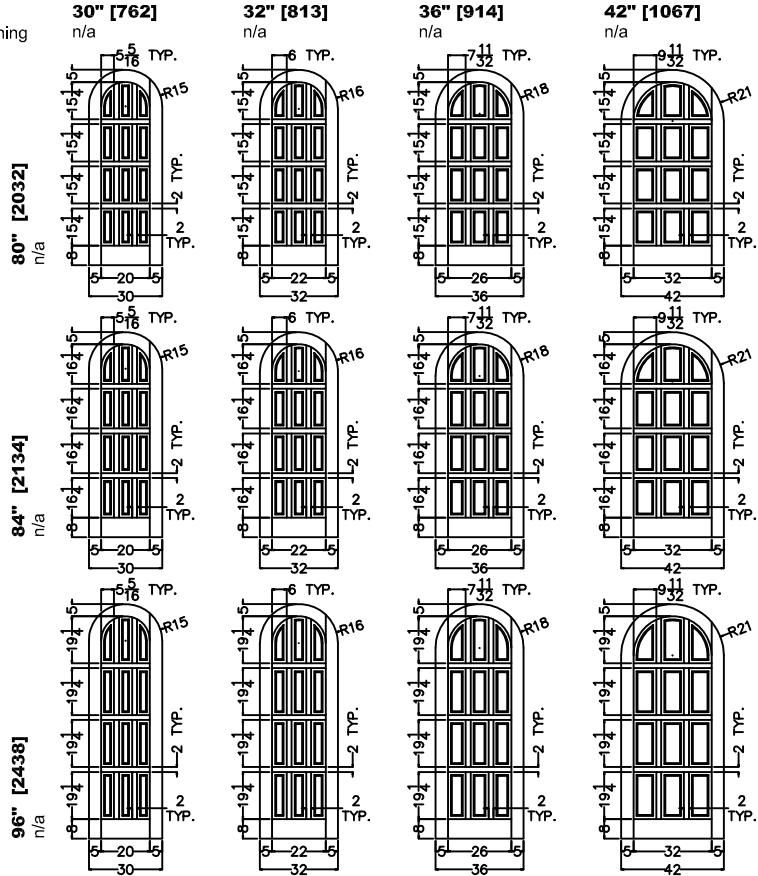
DOOR CROSS-SECTION

Moulding Profile = 850
 Panel Profile = 45 Degree
 See 712 Cross Section sheet for more detail.



RADIUS

Door Size
 Daylight Opening



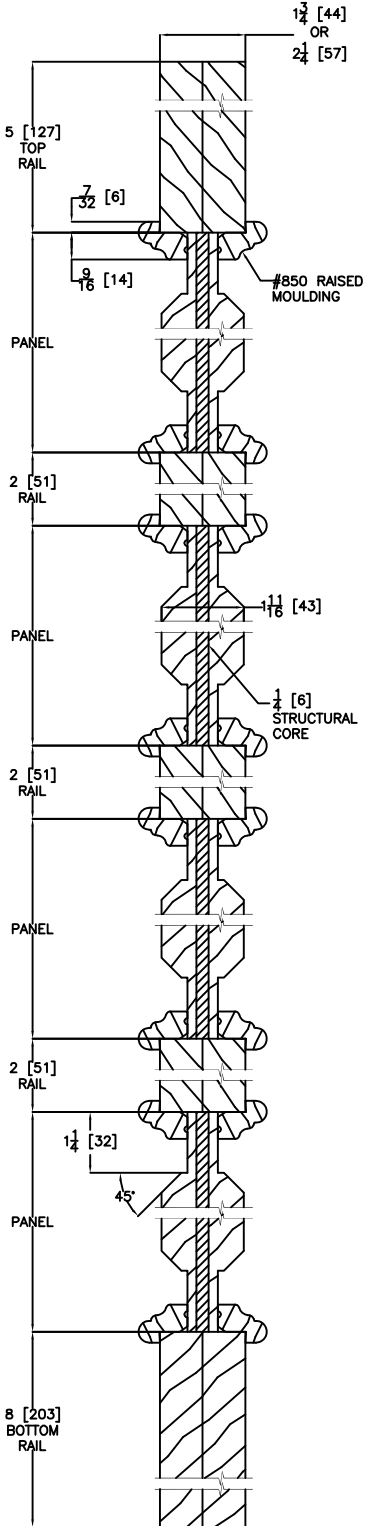
VERTICAL DOOR CROSS SECTION

ELEVATION NOTES

Door Size = Book Size Before Prefit
 Daylight Opening (DLO) = Visible Glass
 Values in brackets [] are millimeter conversions.

DOOR CROSS-SECTION

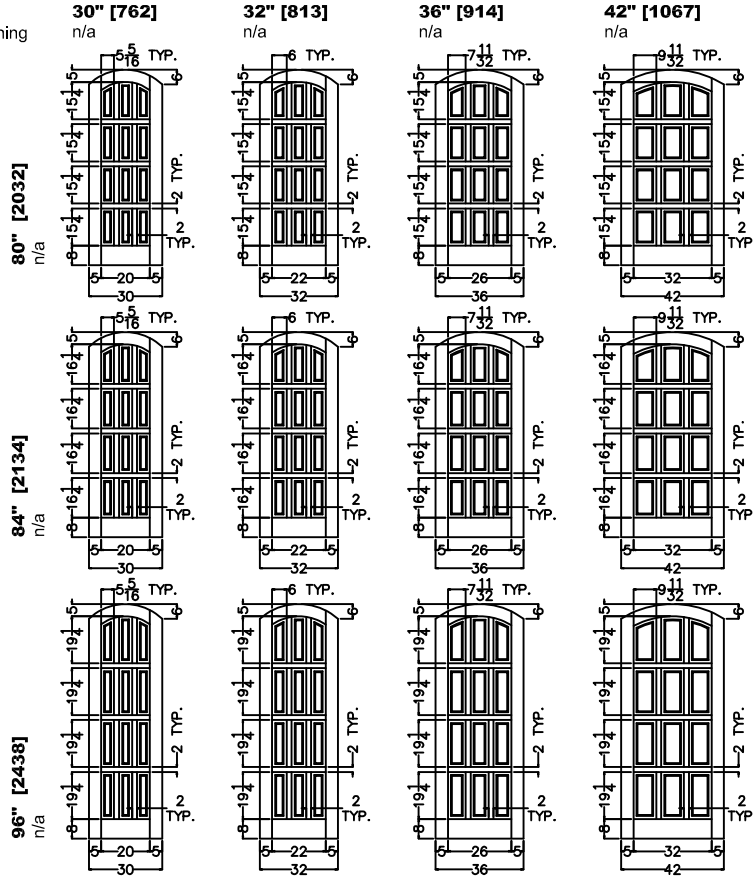
Moulding Profile = 850
 Panel Profile = 45 Degree
 See 712 Cross Section sheet for more detail.



VERTICAL DOOR CROSS SECTION

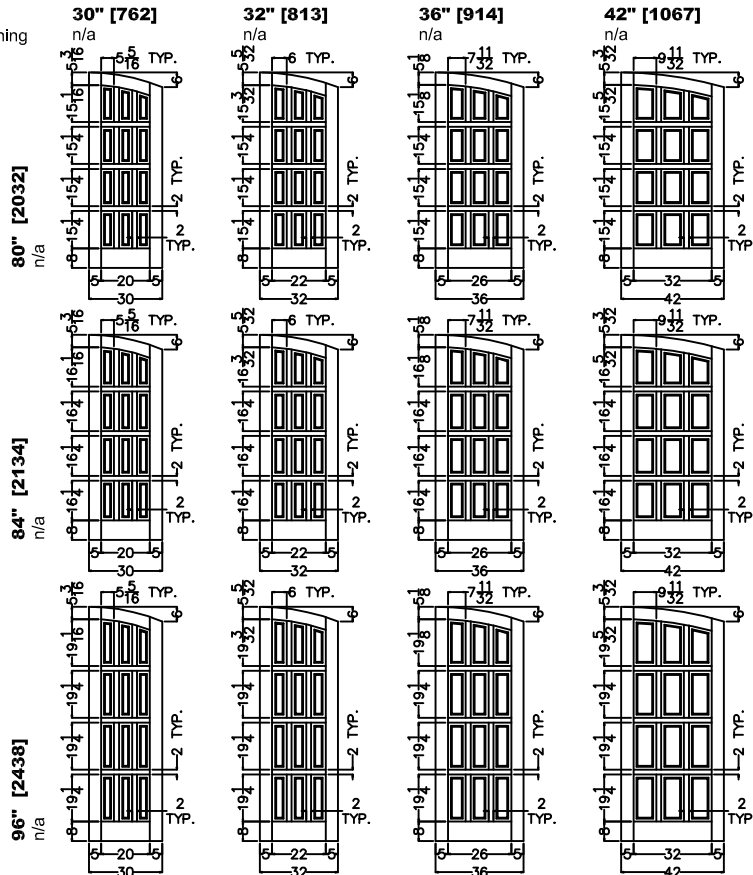
SEGMENT

Door Size
 Daylight Opening



HALF SEGMENT

Door Size
 Daylight Opening

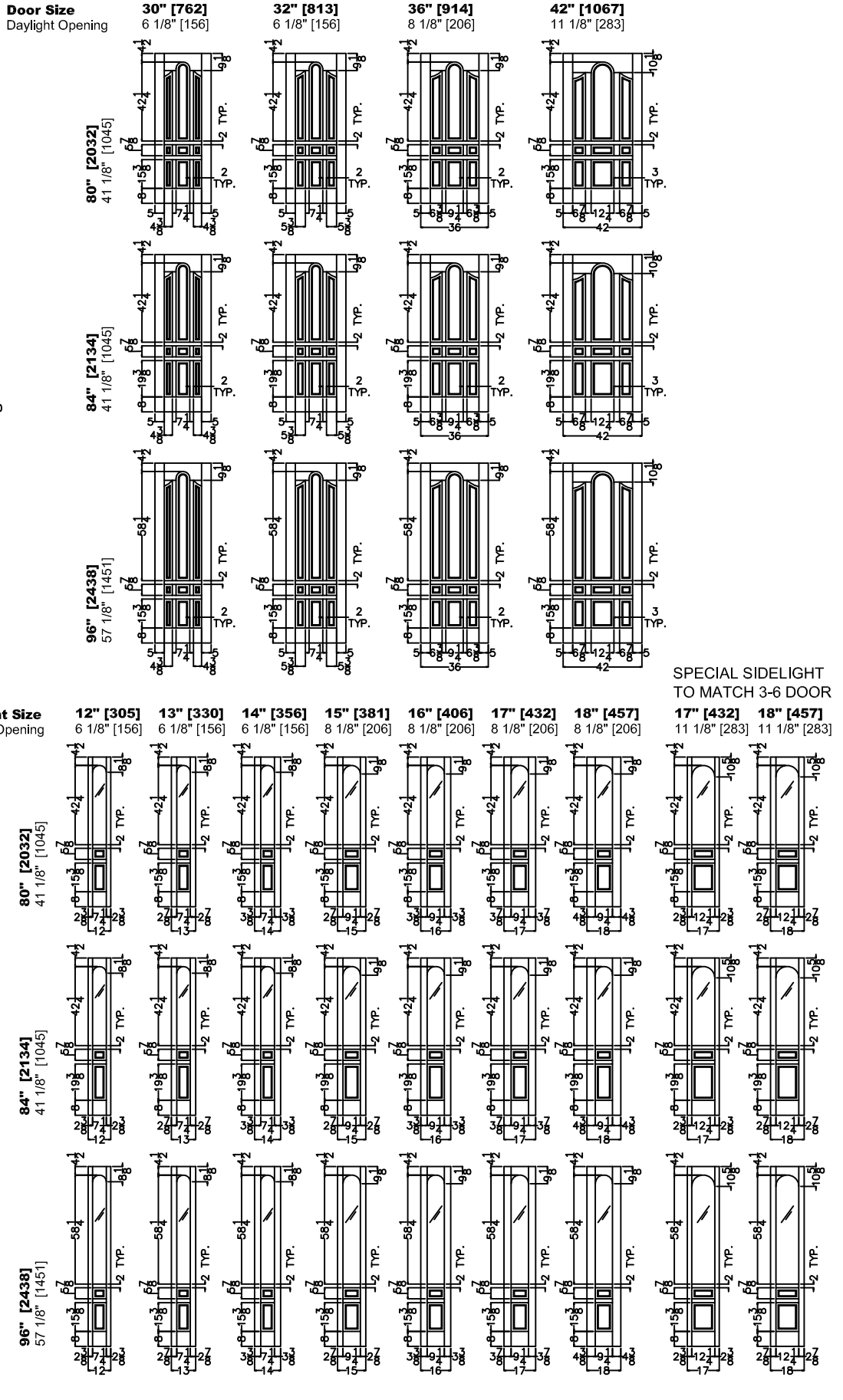
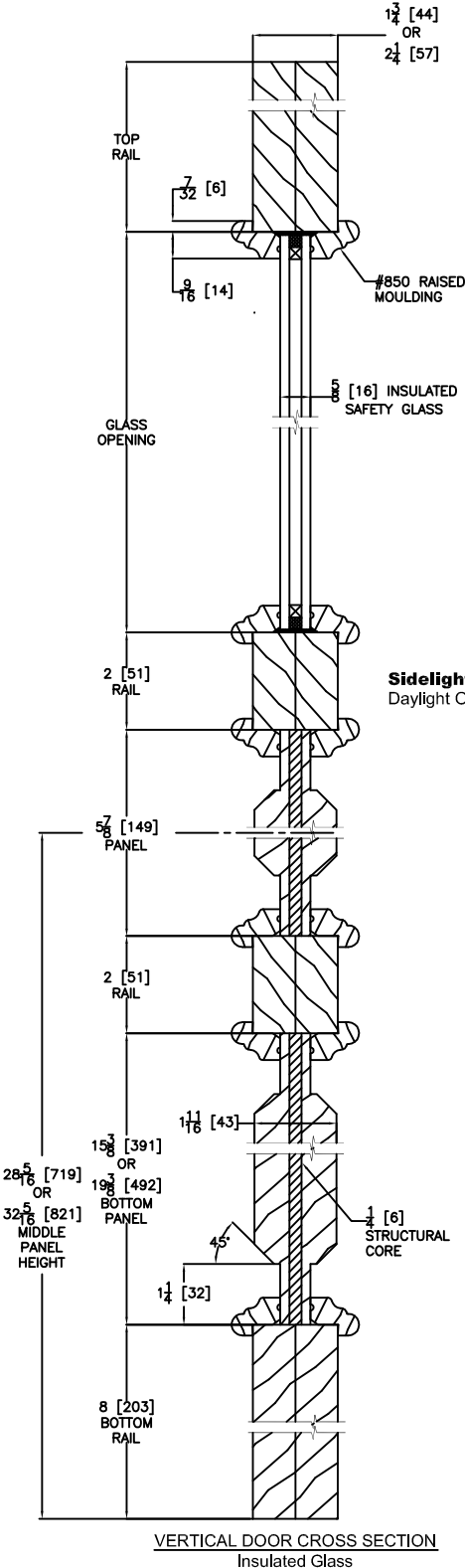


ELEVATION NOTES

Door Size = Book Size Before Prefit
 Daylight Opening (DLO) = Visible Glass
 Values in brackets [] are millimeter conversions.

DOOR CROSS-SECTION

Moulding Profile = 850
 Panel Profile = 45 Degree
 See 870 Cross Section sheet for more detail.

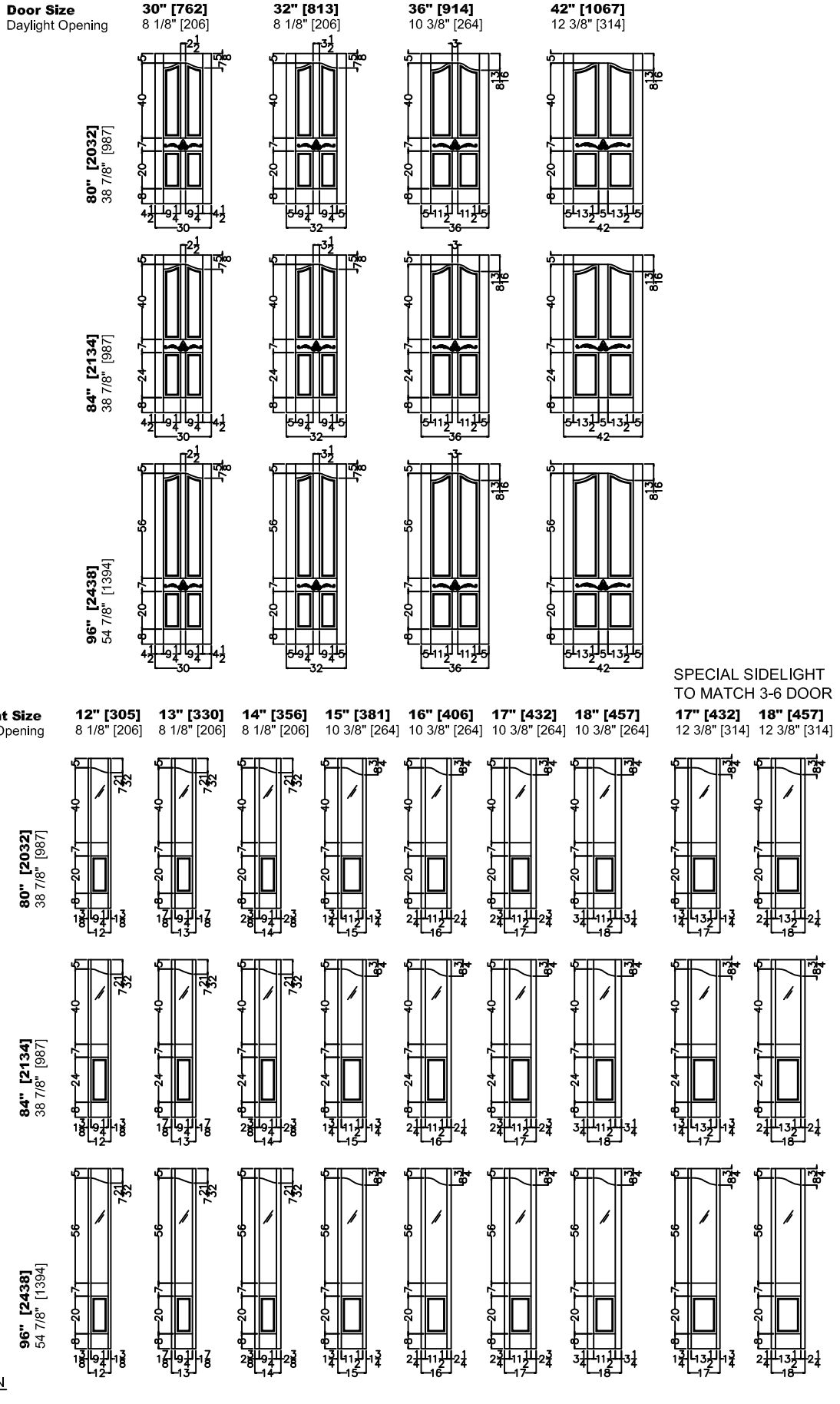
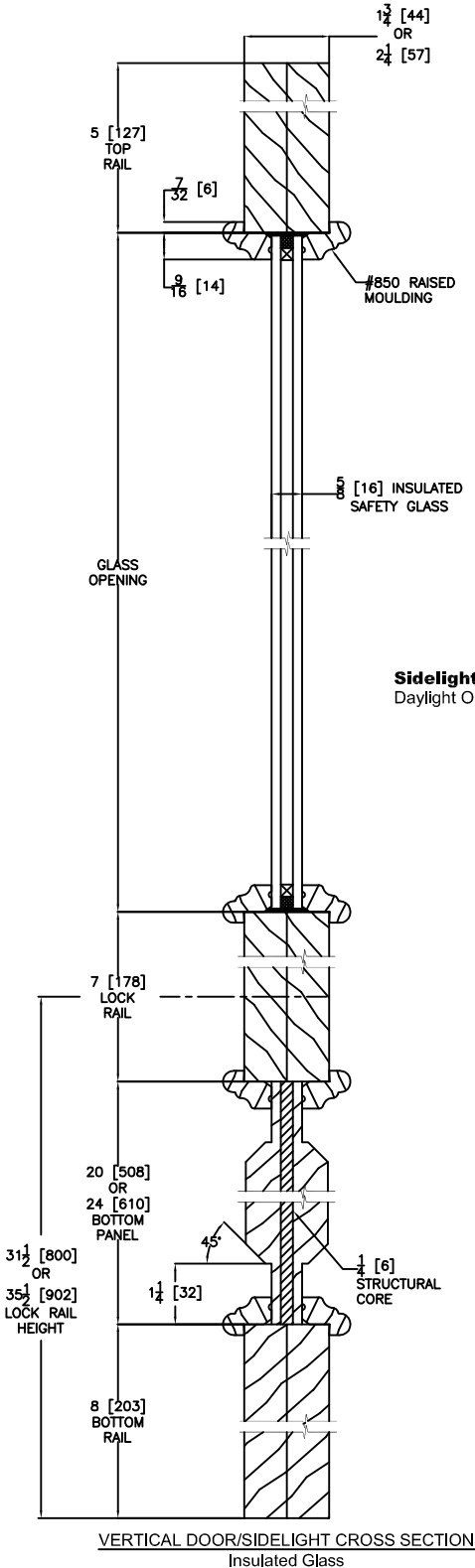


ELEVATION NOTES

Door Size = Book Size Before Prefit
 Daylight Opening (DLO) = Visible Glass
 Values in brackets [] are millimeter conversions.
 (CARVING OPTIONAL)

DOOR CROSS-SECTION

Moulding Profile = 850
 Panel Profile = 45 Degree
 See 890 Cross Section sheet for more detail.

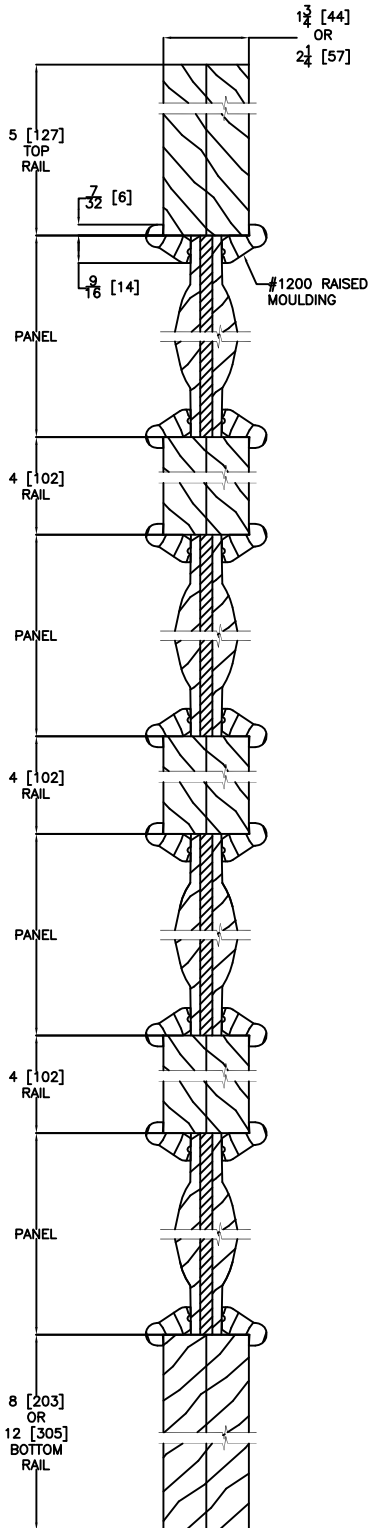


ELEVATION NOTES

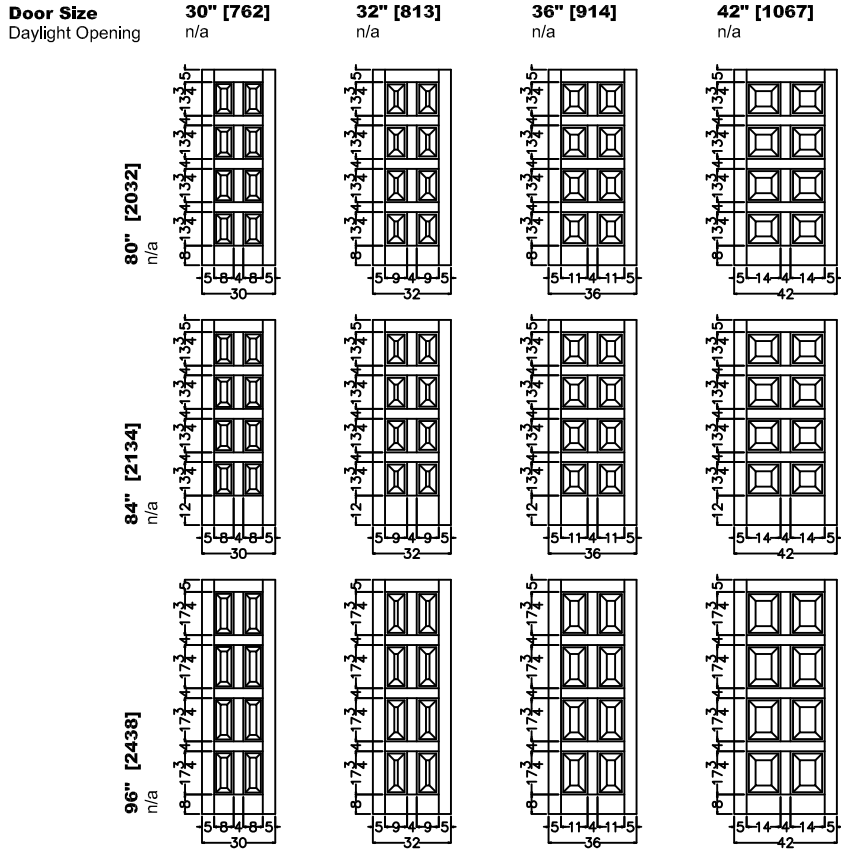
Door Size = Book Size Before Prefit
 Daylight Opening (DLO) = Visible Glass
 Values in brackets [] are millimeter conversions.

DOOR CROSS-SECTION

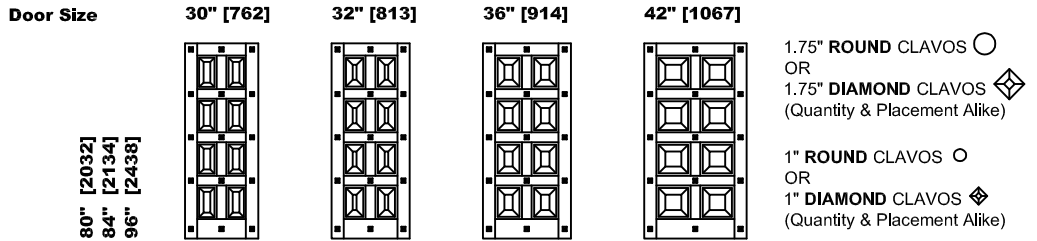
Moulding Profile = 1200
 Panel Profile = Convex Long / Convex Short (2-6)
 See 1208 Cross Section sheet for more detail.



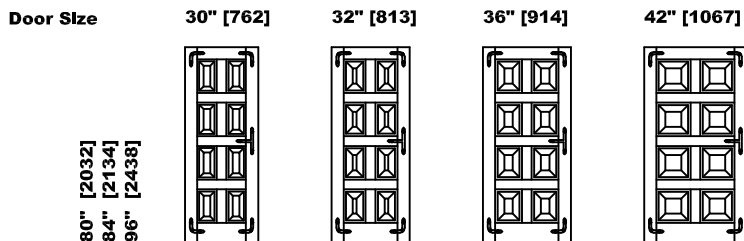
VERTICAL DOOR CROSS SECTION



CLAVOS PLACEMENT (Hardware Optional/Custom Placement Available)



STRAP PLACEMENT (Hardware Optional/Custom Placement Available)

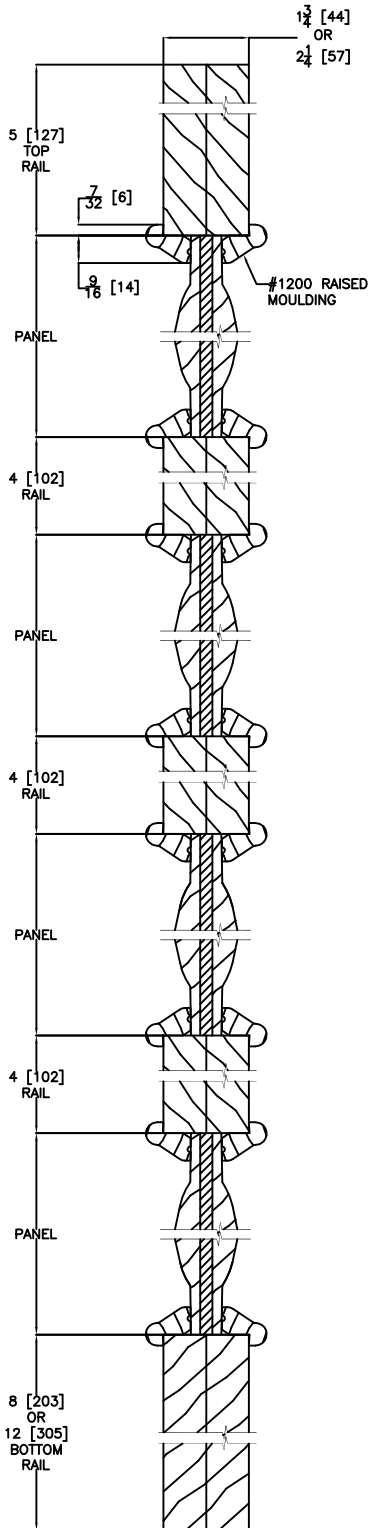


ELEVATION NOTES

Door Size = Book Size Before Prefit
 Daylight Opening (DLO) = Visible Glass
 Values in brackets [] are millimeter conversions.

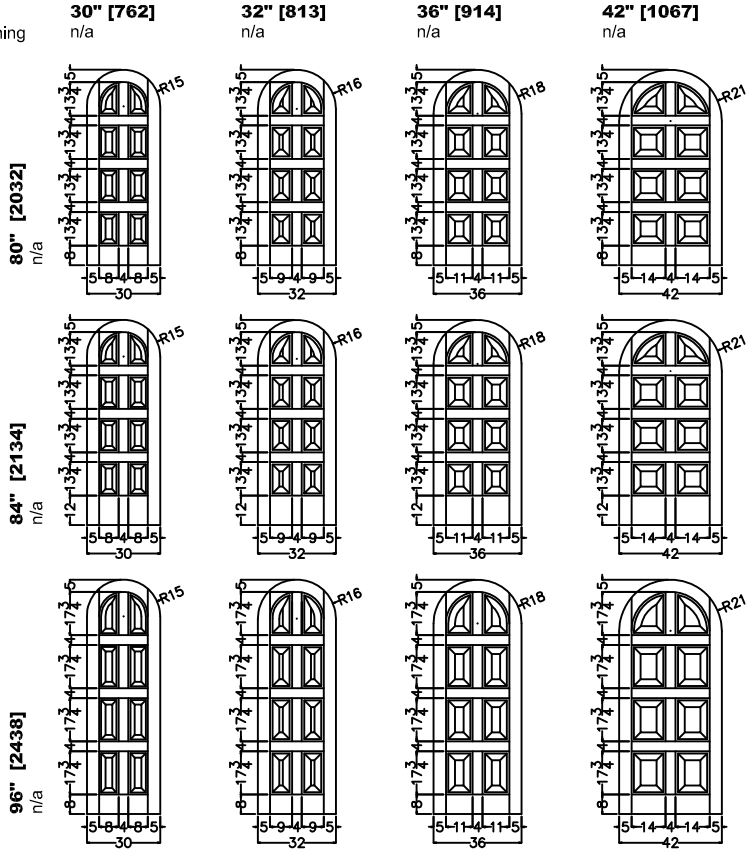
DOOR CROSS-SECTION

Moulding Profile = 1200
 Panel Profile = Convex Long / Convex Short (2-6)
 See 1208 Cross Section sheet for more detail.

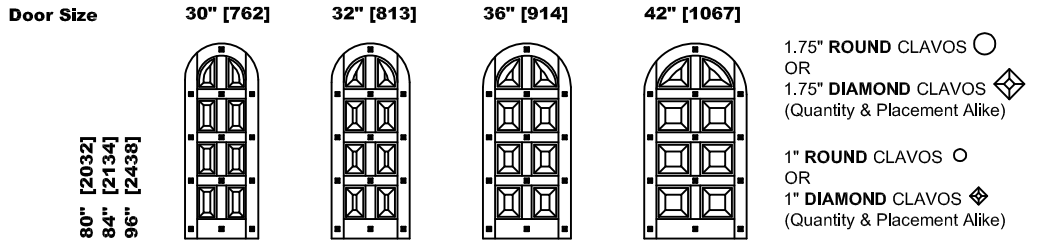


VERTICAL DOOR CROSS SECTION

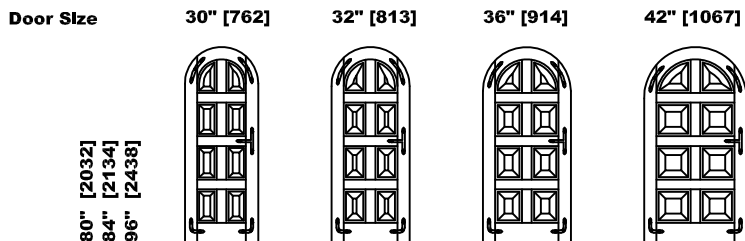
Door Size
 Daylight Opening



CLAVOS PLACEMENT (Hardware Optional/Custom Placement Available)



STRAP PLACEMENT (Hardware Optional/Custom Placement Available)

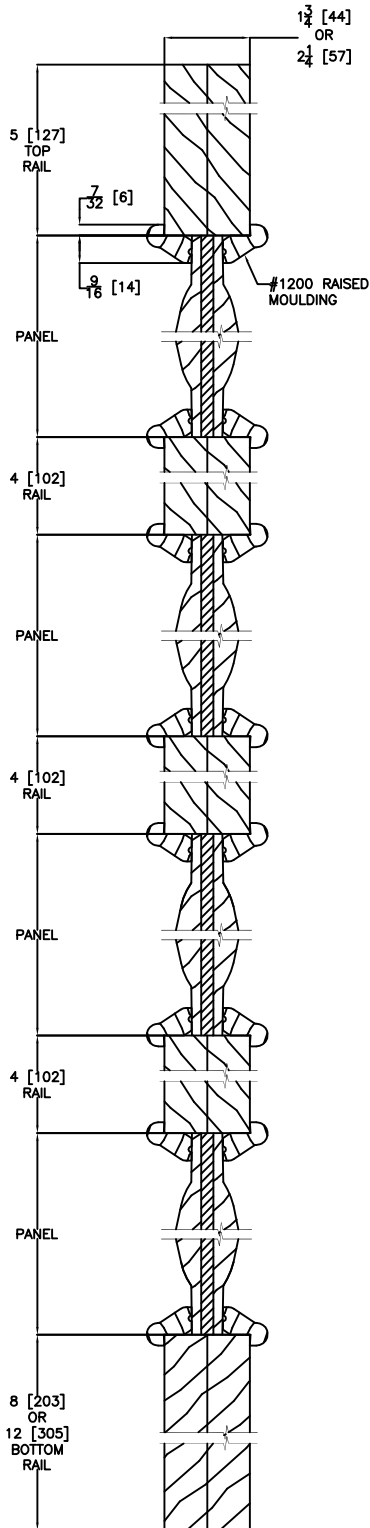


ELEVATION NOTES

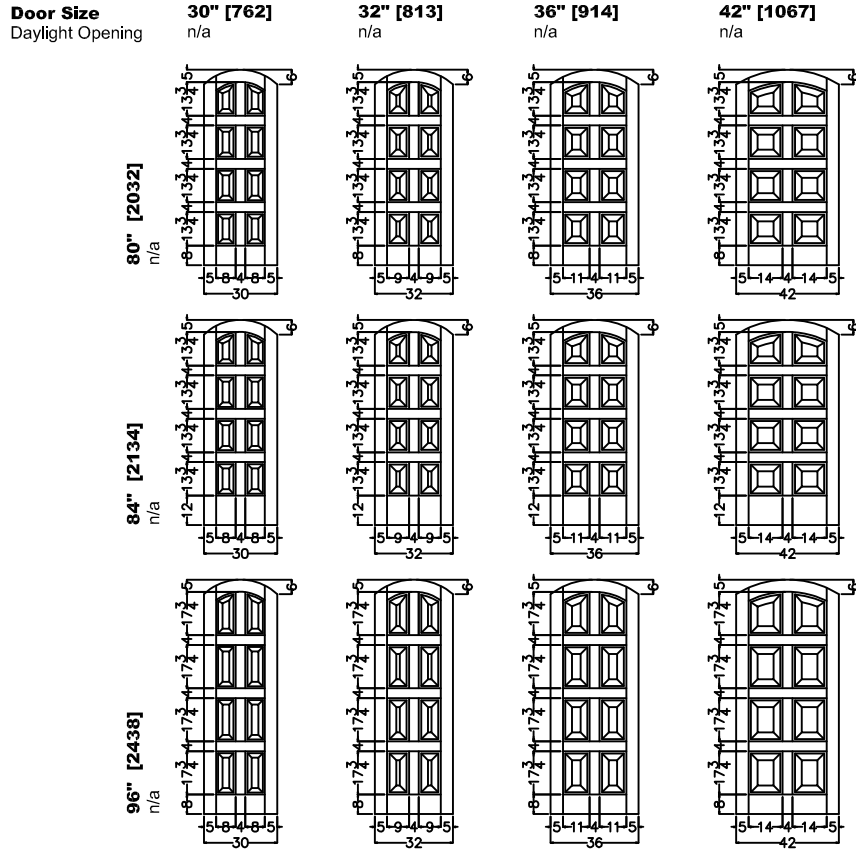
Door Size = Book Size Before Prefit
 Daylight Opening (DLO) = Visible Glass
 Values in brackets [] are millimeter conversions.

DOOR CROSS-SECTION

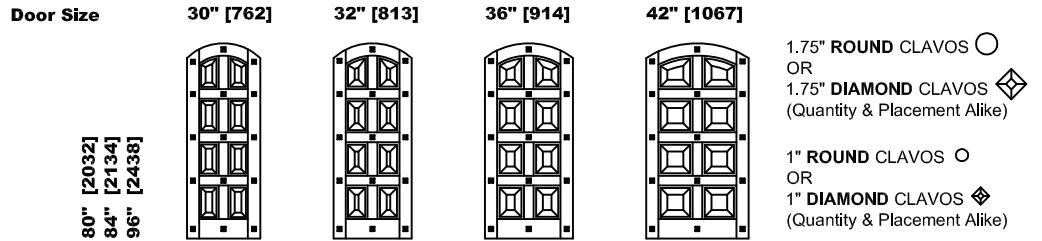
Moulding Profile = 1200
 Panel Profile = Convex Long / Convex Short (2-6)
 See 1208 Cross Section sheet for more detail.



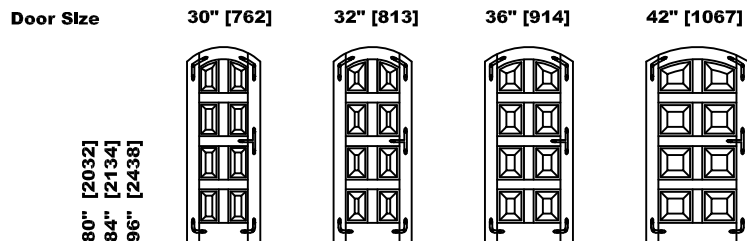
VERTICAL DOOR CROSS SECTION



CLAVOS PLACEMENT (Hardware Optional/Custom Placement Available)



STRAP PLACEMENT (Hardware Optional/Custom Placement Available)

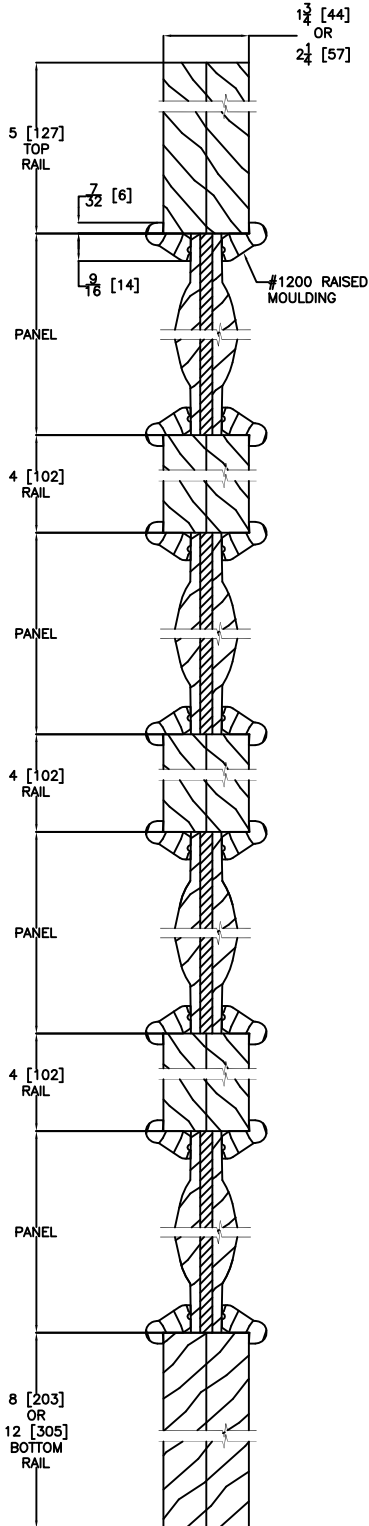


ELEVATION NOTES

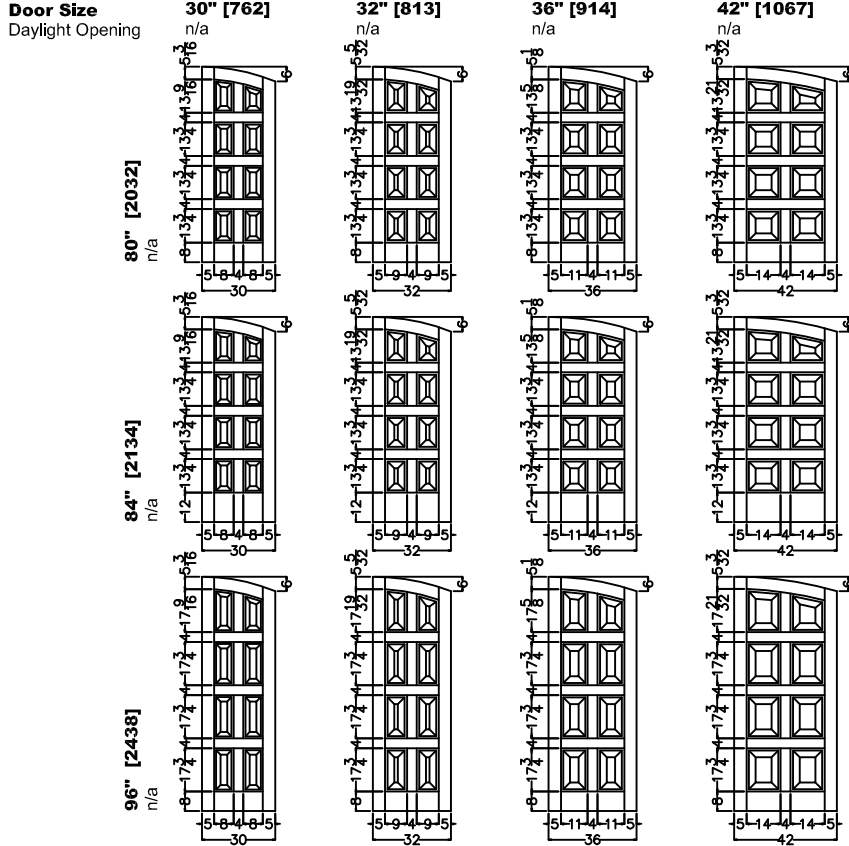
Door Size = Book Size Before Prefit
 Daylight Opening (DLO) = Visible Glass
 Values in brackets [] are millimeter conversions.

DOOR CROSS-SECTION

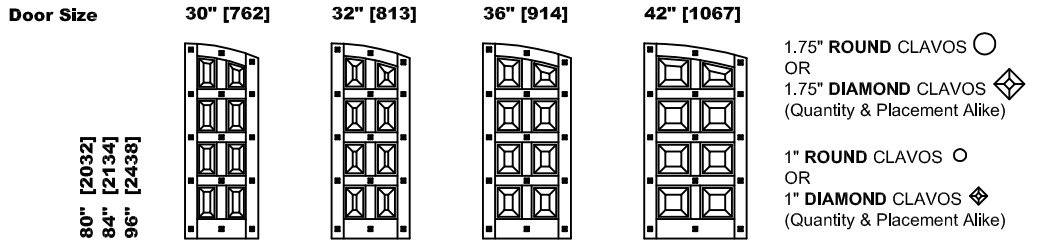
Moulding Profile = 1200
 Panel Profile = Convex Long / Convex Short (2-6)
 See 1208 Cross Section sheet for more detail.



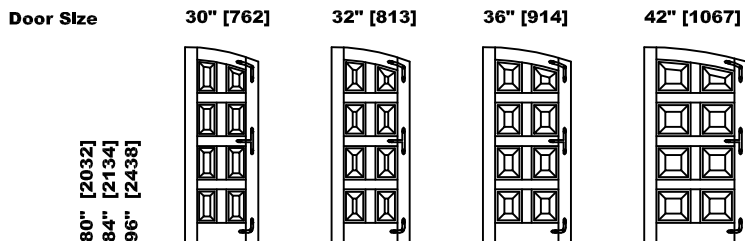
VERTICAL DOOR CROSS SECTION



CLAVOS PLACEMENT (Hardware Optional/Custom Placement Available)



STRAP PLACEMENT (Hardware Optional/Custom Placement Available)

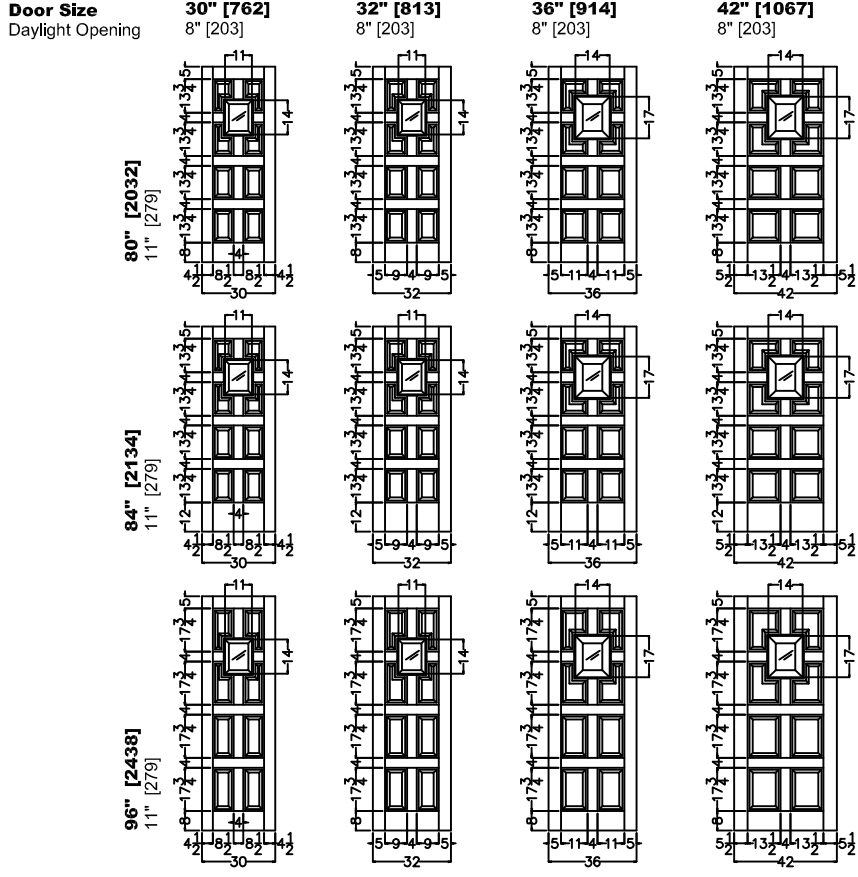
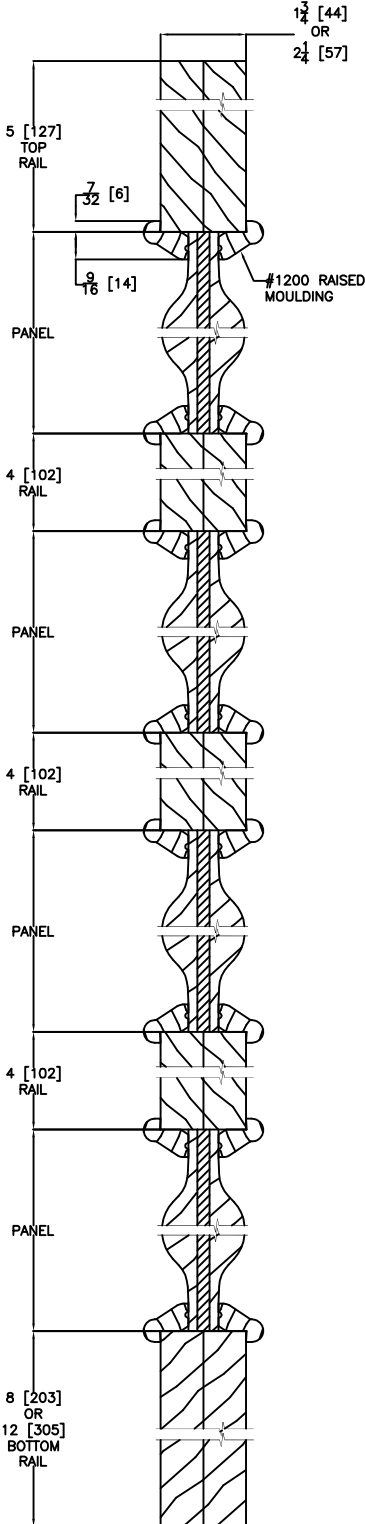


ELEVATION NOTES

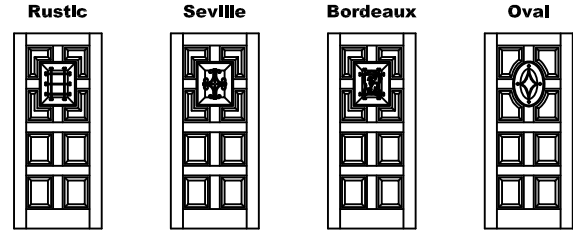
Door Size = Book Size Before Prefit
 Daylight Opening (DLO) = Visible Glass
 Values in brackets [] are millimeter conversions.

DOOR CROSS-SECTION

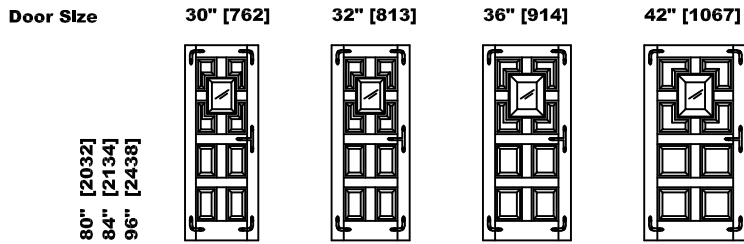
Moulding Profile = 1200
 Panel Profile = Estate Curved Raised
 See 1209 Cross Section sheet for more detail.



SPEAKEASY/DOOR LITE GRILLE OPTIONS (Hardware Optional/Custom Placement Available)



STRAP PLACEMENT (Hardware Optional/Custom Placement Available)

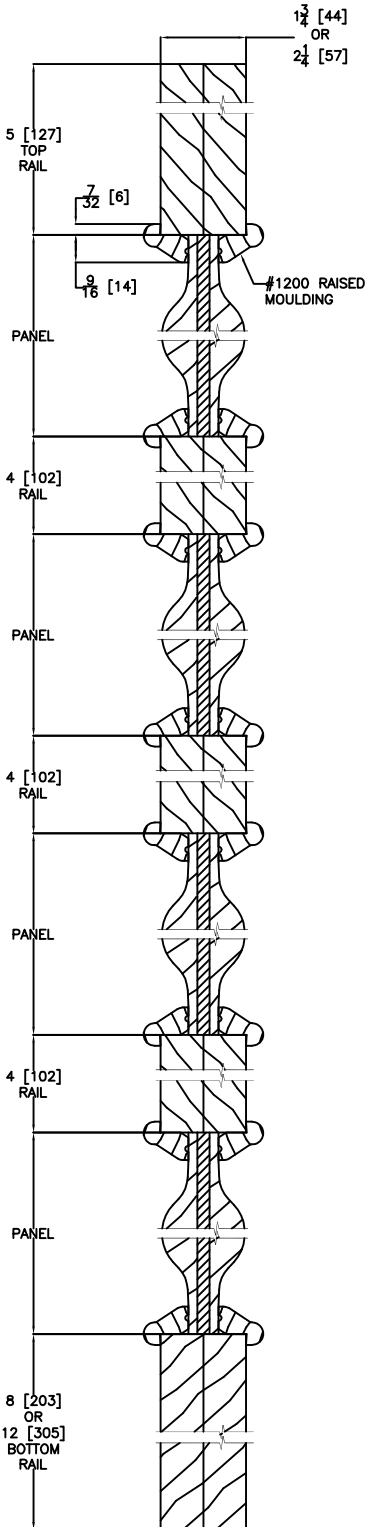


ELEVATION NOTES

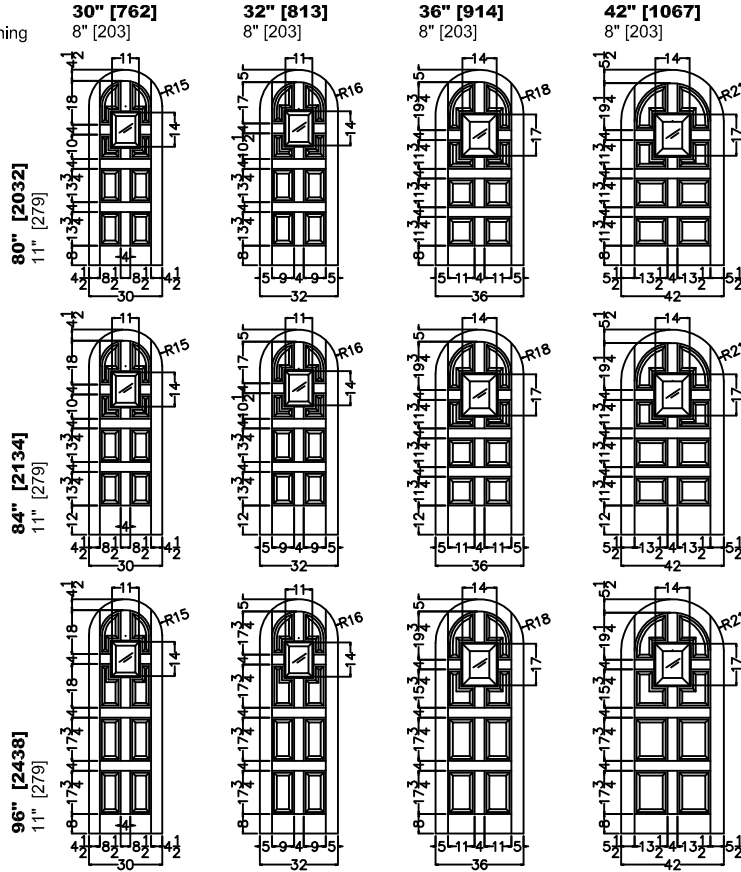
Door Size = Book Size Before Prefit
 Daylight Opening (DLO) = Visible Glass
 Values in brackets [] are millimeter conversions.

DOOR CROSS-SECTION

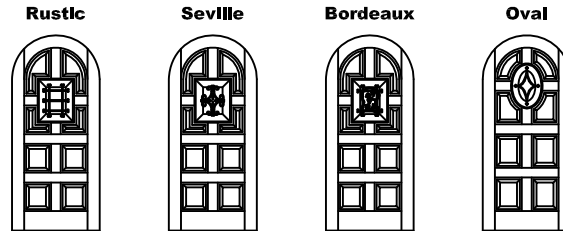
Moulding Profile = 1200
 Panel Profile = Estate Curved Raised
 See 1209 Cross Section sheet for more detail.



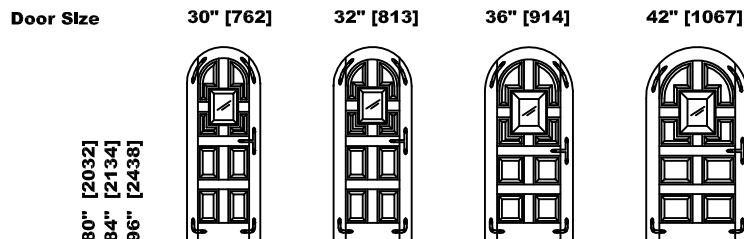
Door Size
 Daylight Opening



SPEAKEASY/DOOR LITE GRILLE OPTIONS (Hardware Optional/Custom Placement Available)



STRAP PLACEMENT (Hardware Optional/Custom Placement Available)

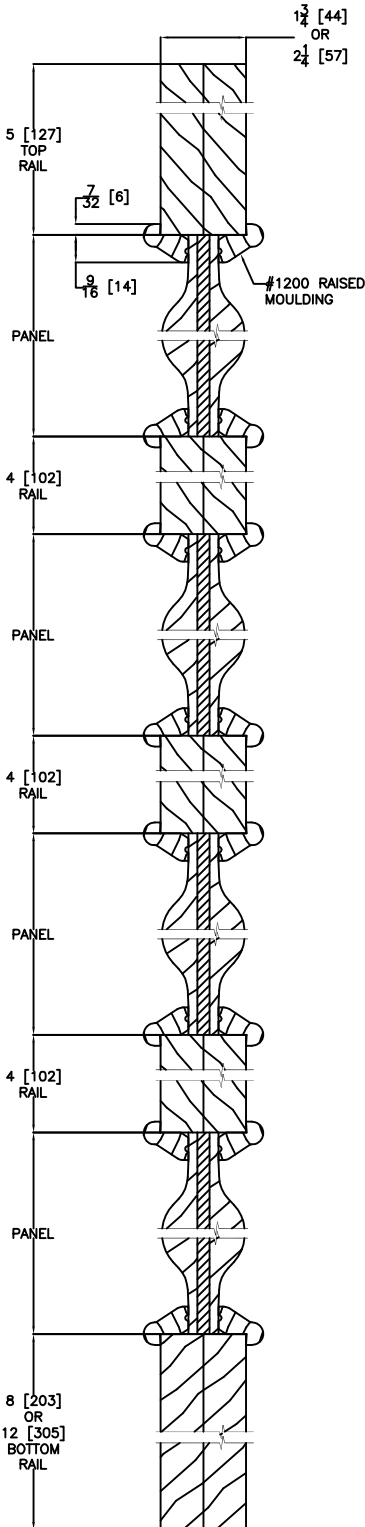


ELEVATION NOTES

Door Size = Book Size Before Prefit
 Daylight Opening (DLO) = Visible Glass
 Values in brackets [] are millimeter conversions.

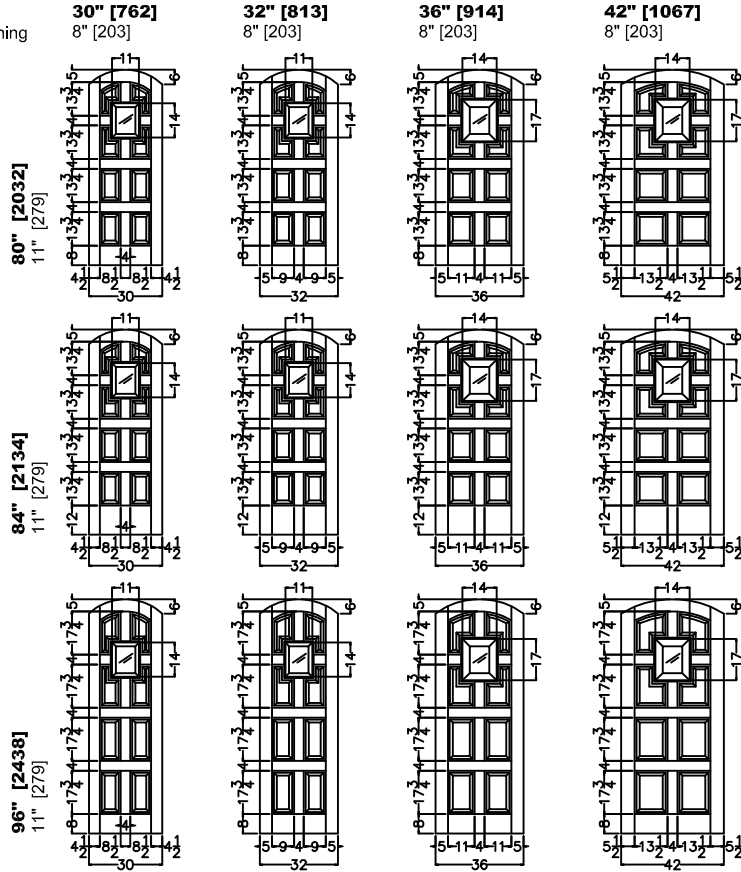
DOOR CROSS-SECTION

Moulding Profile = 1200
 Panel Profile = Estate Curved Raised
 See 1209 Cross Section sheet for more detail.

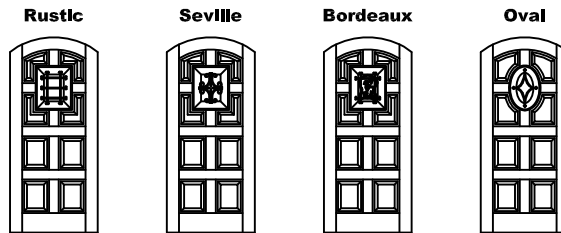


VERTICAL DOOR CROSS SECTION

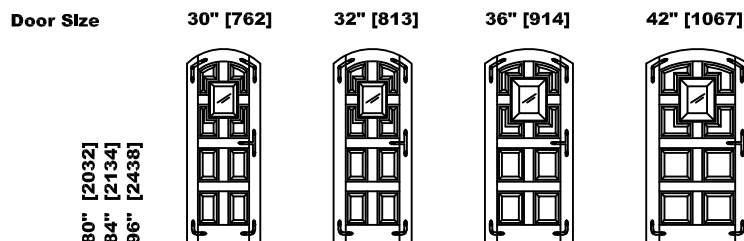
Door Size
 Daylight Opening



SPEAKEASY/DOOR LITE GRILLE OPTIONS (Hardware Optional/Custom Placement Available)



STRAP PLACEMENT (Hardware Optional/Custom Placement Available)

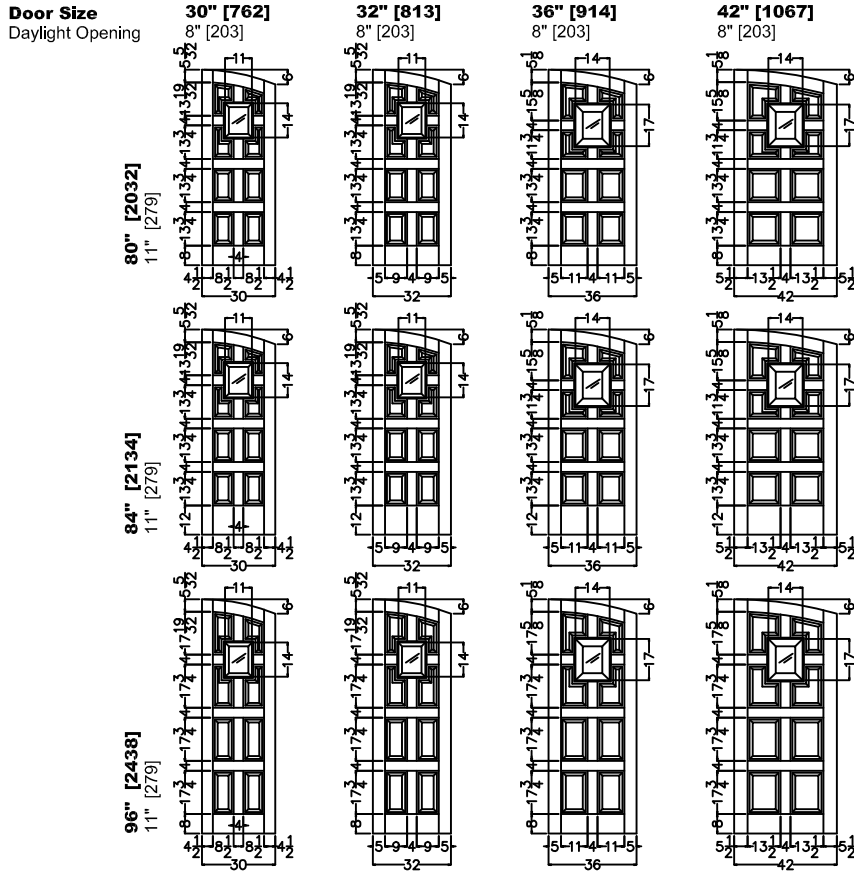
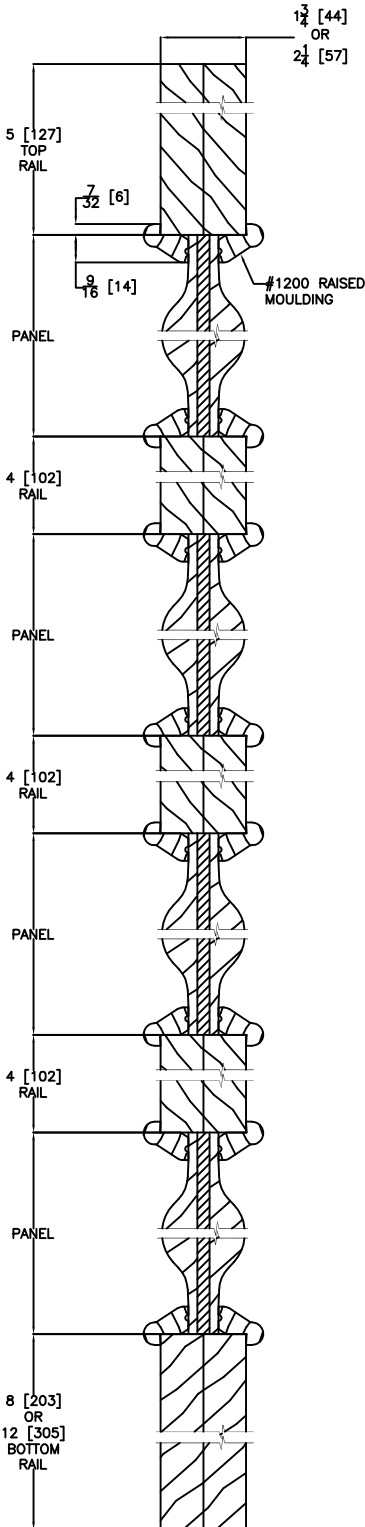


ELEVATION NOTES

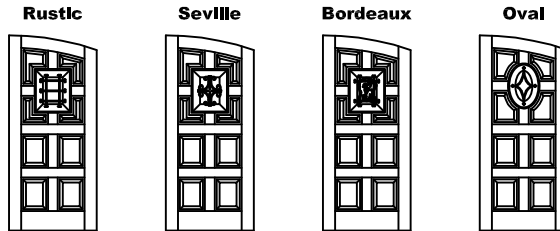
Door Size = Book Size Before Prefit
 Daylight Opening (DLO) = Visible Glass
 Values in brackets [] are millimeter conversions.

DOOR CROSS-SECTION

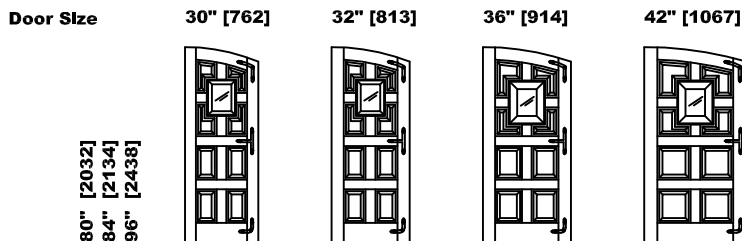
Moulding Profile = 1200
 Panel Profile = Estate Curved Raised
 See 1209 Cross Section sheet for more detail.



SPEAKEASY/DOOR LITE GRILLE OPTIONS (Hardware Optional/Custom Placement Available)



STRAP PLACEMENT (Hardware Optional/Custom Placement Available)

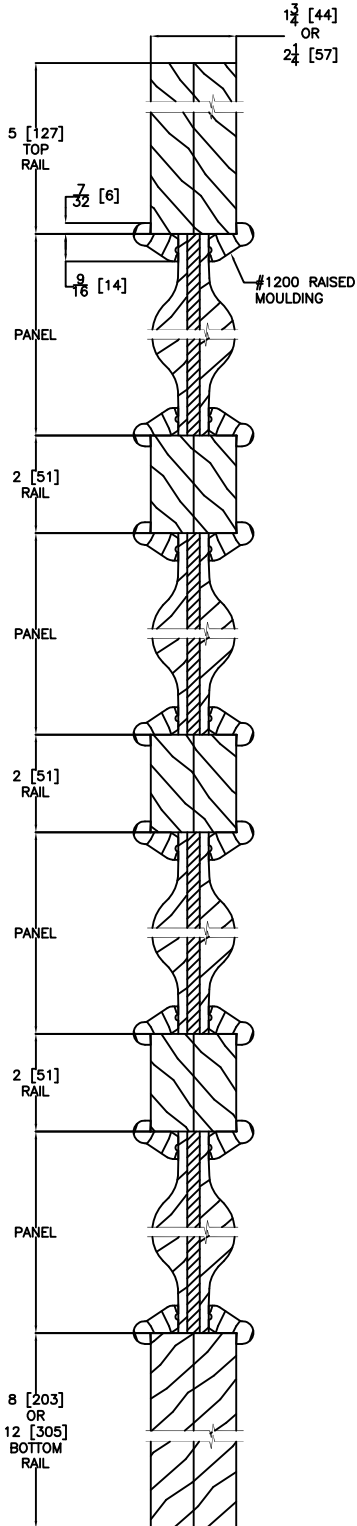


ELEVATION NOTES

Door Size = Book Size Before Prefit
 Daylight Opening (DLO) = Visible Glass
 Values in brackets [] are millimeter conversions.

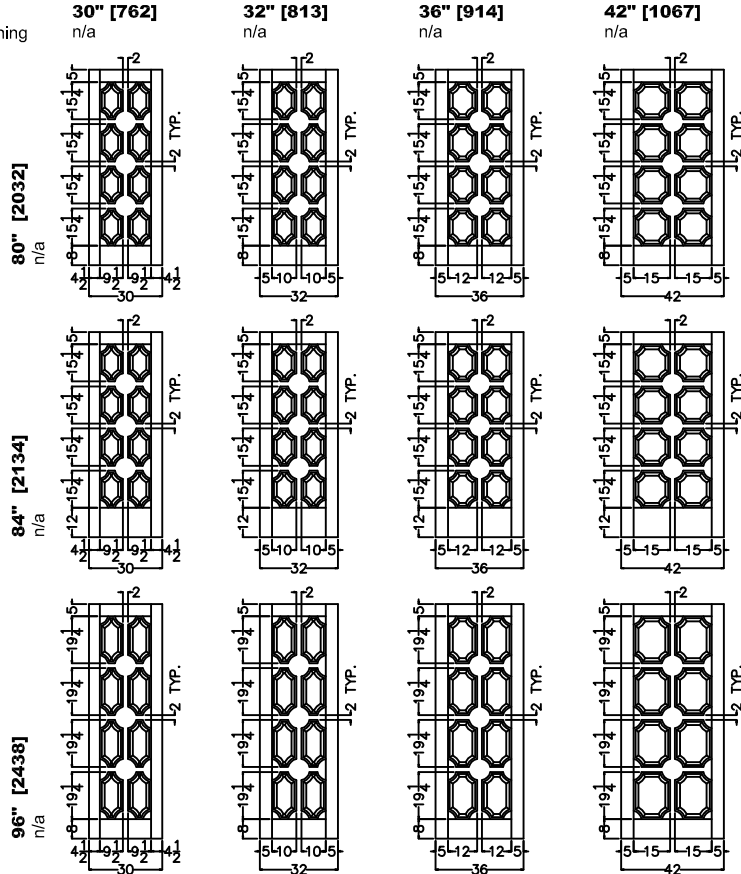
DOOR CROSS-SECTION

Moulding Profile = 1200
 Panel Profile = Estate Curved Raised
 See 1308 Cross Section sheet for more detail.



VERTICAL DOOR CROSS SECTION

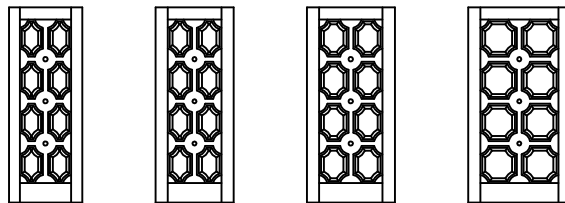
Door Size
 Daylight Opening



CLAVOS PLACEMENT (Hardware Optional/Custom Placement Available)

Door Size

80" [2032]
 84" [2134]
 96" [2438]



1.75" ROUND CLAVOS ○
 OR
 1.75" DIAMOND CLAVOS ◇
 (Quantity & Placement Alike)

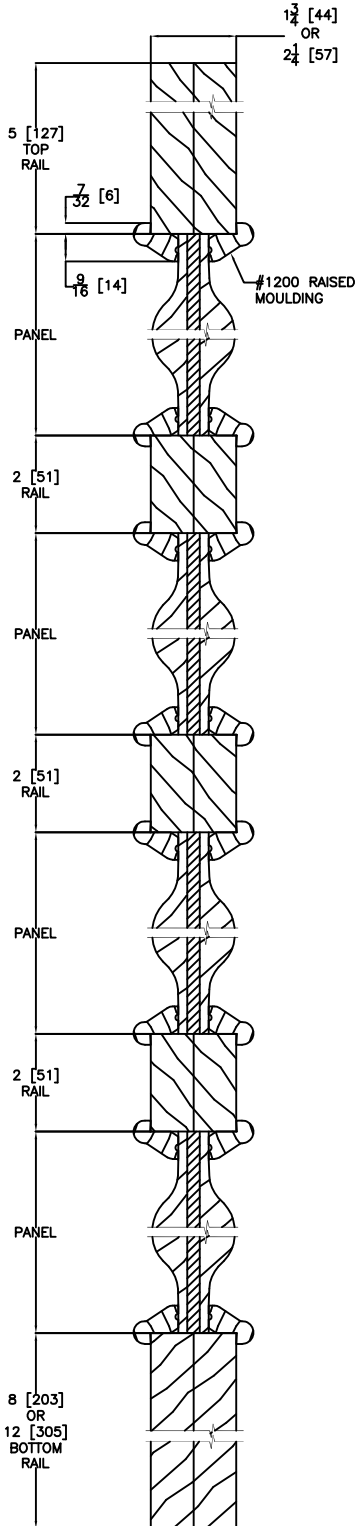
1" ROUND CLAVOS ○
 OR
 1" DIAMOND CLAVOS ◇
 (Quantity & Placement Alike)

ELEVATION NOTES

Door Size = Book Size Before Prefit
 Daylight Opening (DLO) = Visible Glass
 Values in brackets [] are millimeter conversions.

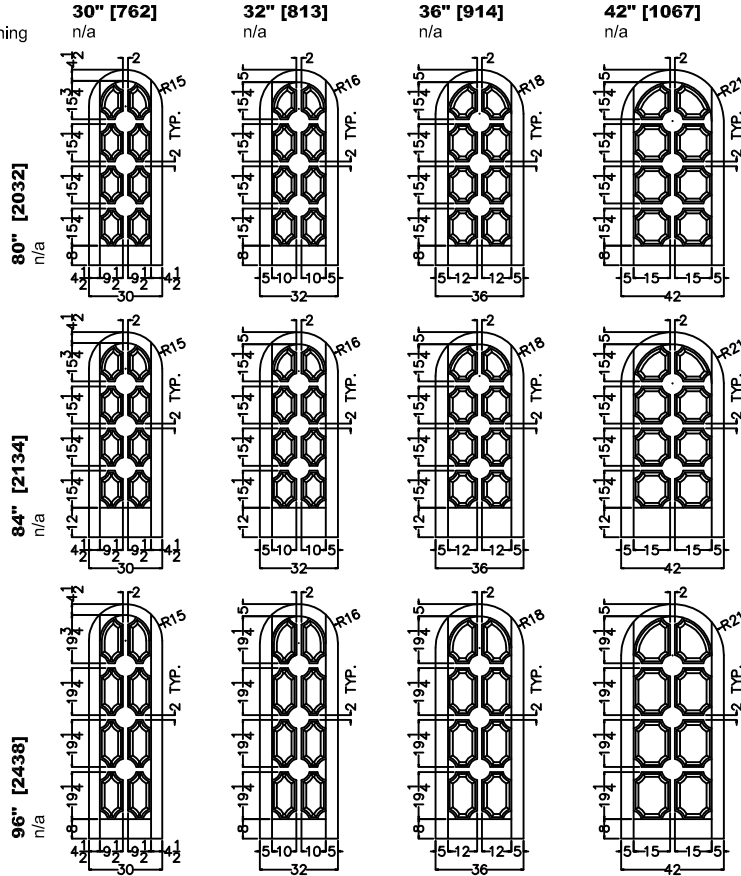
DOOR CROSS-SECTION

Moulding Profile = 1200
 Panel Profile = Estate Curved Raised
 See 1308 Cross Section sheet for more detail.



VERTICAL DOOR CROSS SECTION

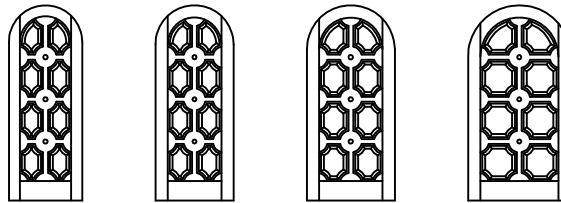
Door Size
 Daylight Opening



CLAVOS PLACEMENT (Hardware Optional/Custom Placement Available)

Door Size

80" [2032]
 84" [2134]
 96" [2438]



1.75" **ROUND** CLAVOS ○
 OR
 1.75" **DIAMOND** CLAVOS ◇
 (Quantity & Placement Alike)

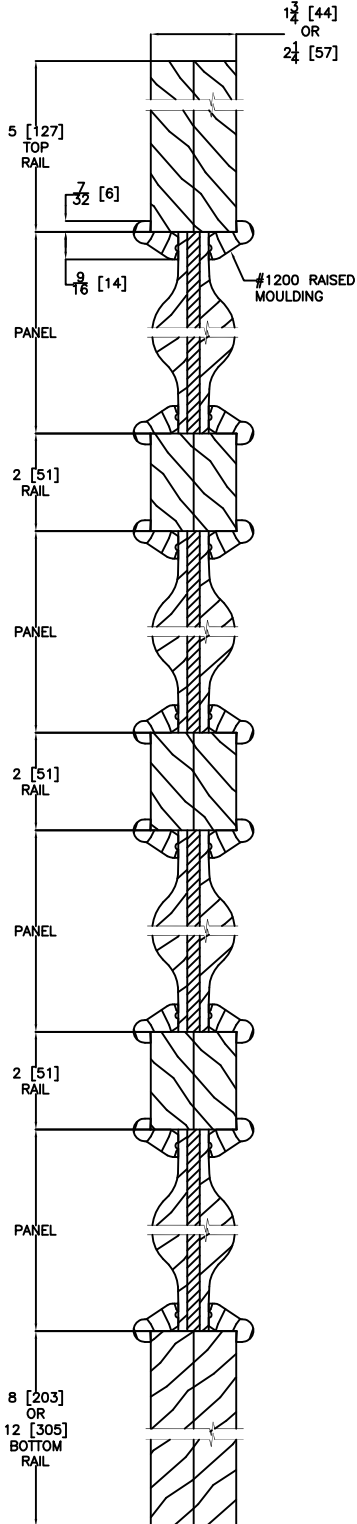
1" **ROUND** CLAVOS ○
 OR
 1" **DIAMOND** CLAVOS ◇
 (Quantity & Placement Alike)

ELEVATION NOTES

Door Size = Book Size Before Prefit
 Daylight Opening (DLO) = Visible Glass
 Values in brackets [] are millimeter conversions.

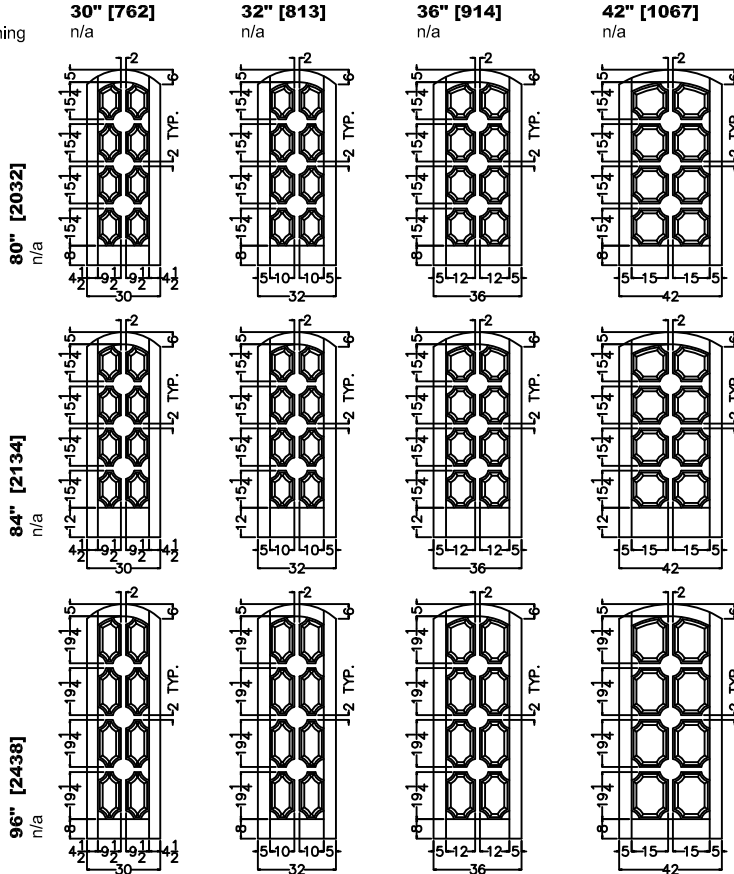
DOOR CROSS-SECTION

Moulding Profile = 1200
 Panel Profile = Estate Curved Raised
 See 1308 Cross Section sheet for more detail.



VERTICAL DOOR CROSS SECTION

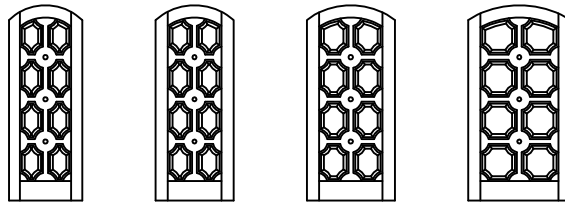
Door Size
 Daylight Opening



CLAVOS PLACEMENT (Hardware Optional/Custom Placement Available)

Door Size

80" [2032]
 84" [2134]
 96" [2438]



1.75" ROUND CLAVOS ○
 OR
 1.75" DIAMOND CLAVOS ◇
 (Quantity & Placement Alike)

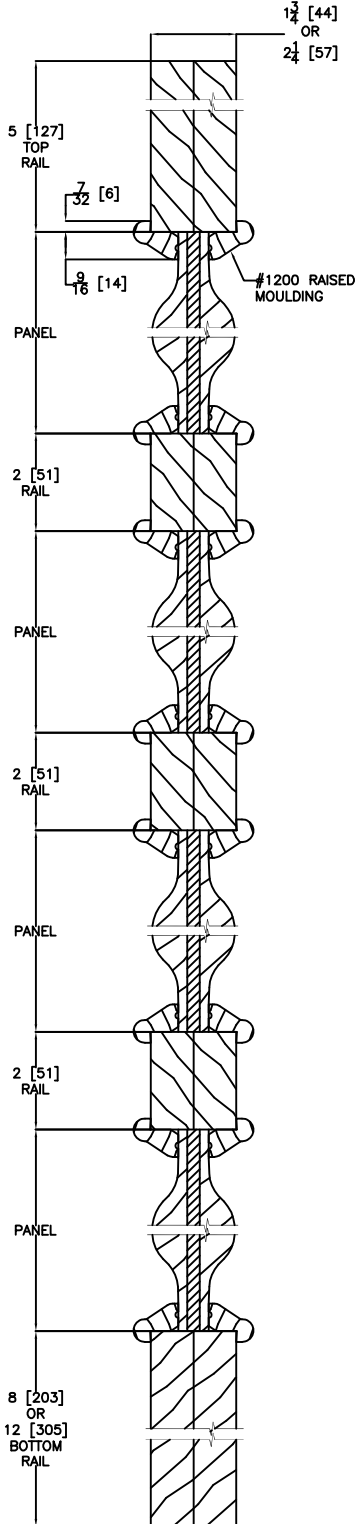
1" ROUND CLAVOS ○
 OR
 1" DIAMOND CLAVOS ◇
 (Quantity & Placement Alike)

ELEVATION NOTES

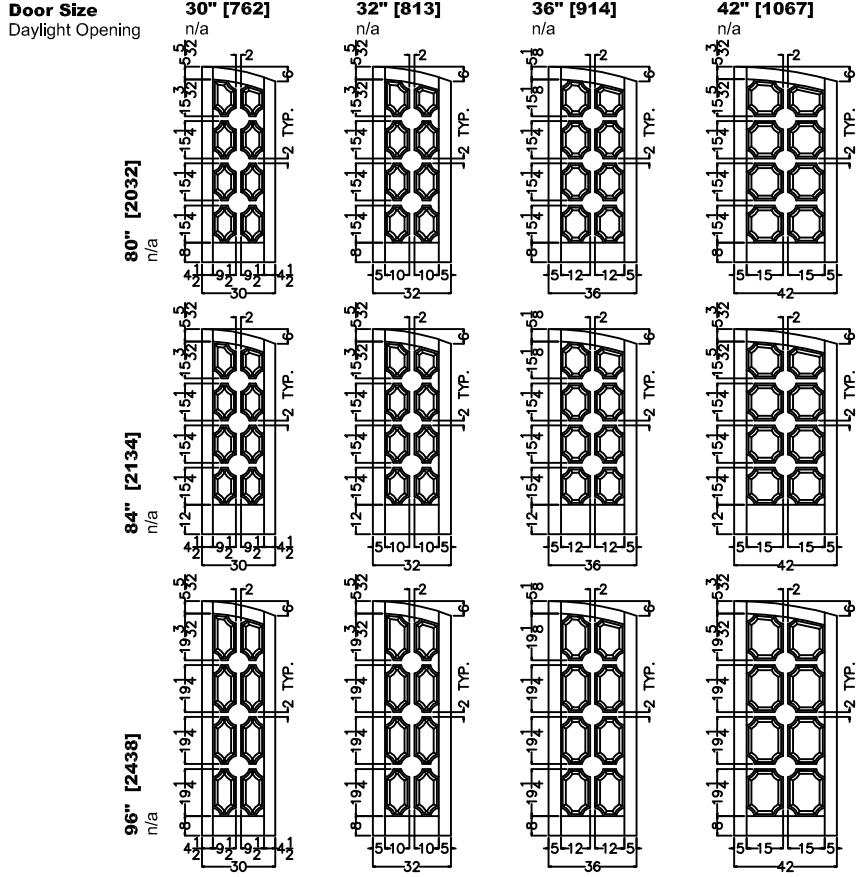
Door Size = Book Size Before Prefit
 Daylight Opening (DLO) = Visible Glass
 Values in brackets [] are millimeter conversions.

DOOR CROSS-SECTION

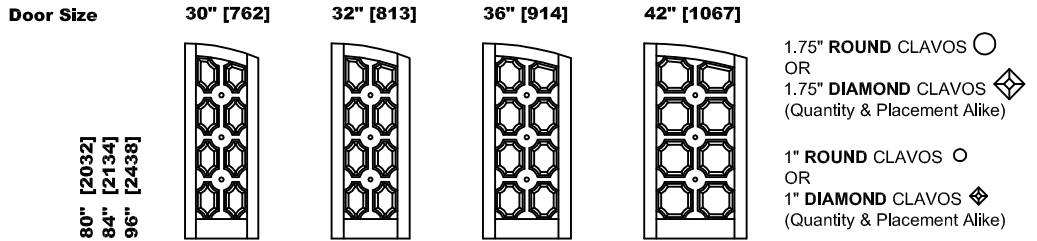
Moulding Profile = 1200
 Panel Profile = Estate Curved Raised
 See 1308 Cross Section sheet for more detail.



VERTICAL DOOR CROSS SECTION



CLAVOS PLACEMENT (Hardware Optional/Custom Placement Available)



DECORATIVE ACCENTS



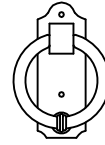
ROUND CLAVOS

Size Options: 1" diameter, 1.75" diameter
 Finish Options: Dark Patina, Rust Patina
 Material: Aluminum with Powder Coat Finish



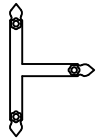
DIAMOND CLAVOS

Size Options: 1", 1.75"
 Finish Options: Dark Patina, Rust Patina
 Material: Aluminum with Powder Coat Finish



COLONIAL DOOR KNOCKER

Base: 2" Wide x 5 5/8" Tall, Handle: 4" Wide
 Finish Options: Dark Patina, Rust Patina
 Material: Iron



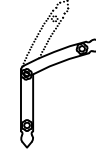
RAIL STRAP

Finish Options: Dark Patina, Rust Patina
 Material: Aluminum with Powder Coat Finish



CORNER STRAP

Finish Options: Dark Patina, Rust Patina
 Material: Aluminum with Powder Coat Finish

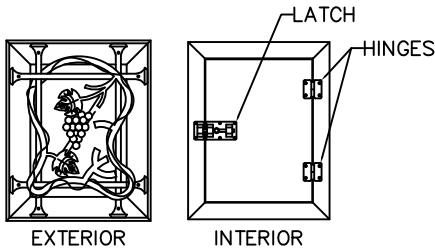


RADIUS STRAP

Finish Options: Dark Patina, Rust Patina
 Material: Aluminum with Powder Coat Finish
 Adjustable for Segment/Radius Shapes

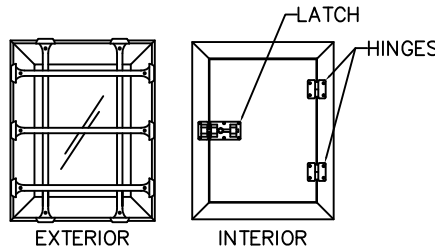
SPEAKEASY/DOOR LIGHT

Glass Options: Clear IG, Clear SG, Bevel IG, Bevel SG, Glue Chip IG,
 Low E IG, Rain IG, Reed IG, Frosted IG, Open for Glass
 Handing: Will be Handed to Match the Door unless Otherwise Specified
 Frame Size: 11 3/4" x 14 3/4", Daylight Opening: 8" x 11", Actual Glass Size: 8 7/8" x 11 7/8"



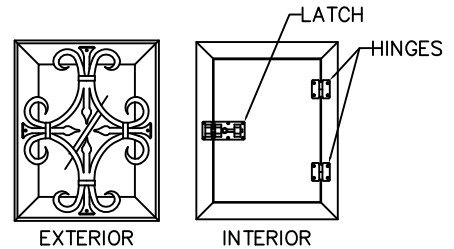
SPEAKEASY, BORDEAUX GRILLE

Hardware Finish Options: Dark Patina, Rust Patina
 Material: Wood Frame / Iron Hardware



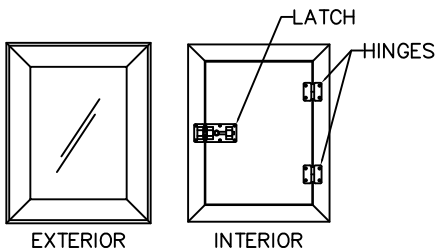
SPEAKEASY, RUSTIC GRILLE

Hardware Finish Options: Dark Patina, Rust Patina
 Material: Wood Frame / Iron Hardware



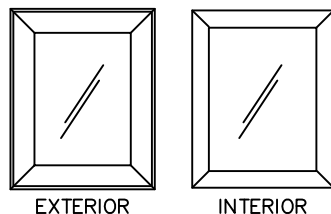
SPEAKEASY, SEVILLE GRILLE

Hardware Finish Options: Dark Patina, Rust Patina
 Material: Wood Frame / Iron Hardware



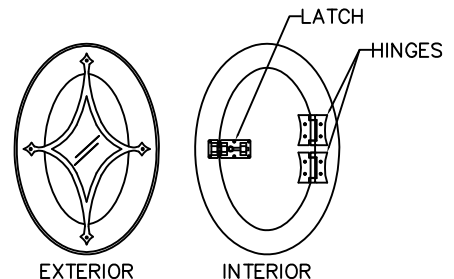
SPEAKEASY (NO GRILLE)

Hardware Finish Options: Dark Patina, Rust Patina
 Material: Wood Frame / Iron Hardware



RECTANGLE DOOR LIGHT

Hardware Finish Options: n/a
 Material: Wood Frame
 Available with All Speakeasy Grilles



OVAL SPEAKEASY, VICTORIAN GRILLE

Hardware Finish Options: Dark Patina, Rust Patina
 Material: Wood Frame / Iron Hardware
 Frame Size: 12" x 17 1/2"



#20 CASING
2 1/4" X 1 1/8"



#20 w/ STUCCO KEY
2 1/4" X 1 1/8"



#22 CASING
2" X 1 1/8"



#13 CASING
3 1/2" X 3/4"



#14 CASING
2 1/4" X 3/4"



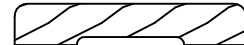
#15 CASING
3 1/2" X 3/4"



#16 CASING
2 1/4" X 3/4"



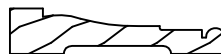
#17 CASING
4 1/2" X 1 3/16"



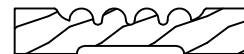
#21 CASING
3 1/2" X 5/8"



#23 CASING
3 1/2" X 1 1/8"



#24 CASING
3 1/4" X 11/16"



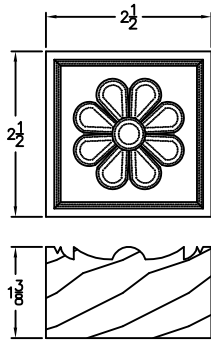
#25 CASING
3 1/2" X 11/16"

Notes:

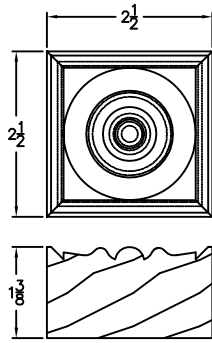
Shown here are standard trim options.

Special size casing or custom profile casing may be available upon request.

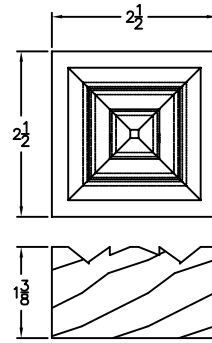
EXTERIOR CORNER BLOCK



"A" BLOCK
2 1/2" X 2 1/2"

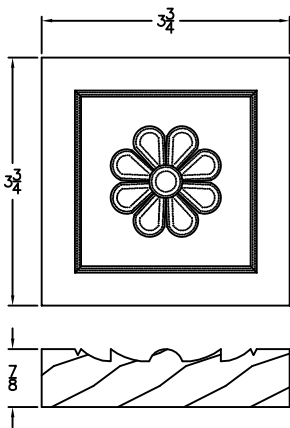


"B" BLOCK
2 1/2" X 2 1/2"

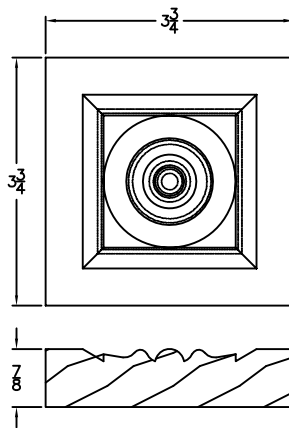


"C" BLOCK
2 1/2" X 2 1/2"

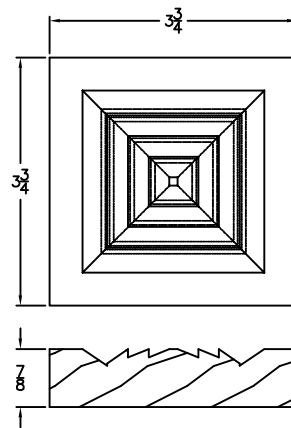
INTERIOR CORNER BLOCK



"A" BLOCK
3 3/4" X 3 3/4"



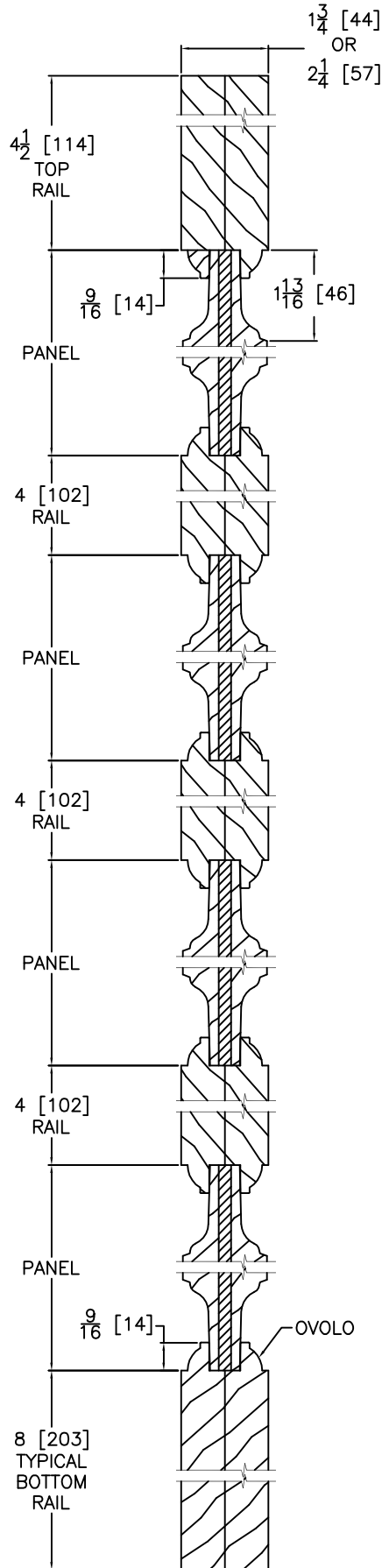
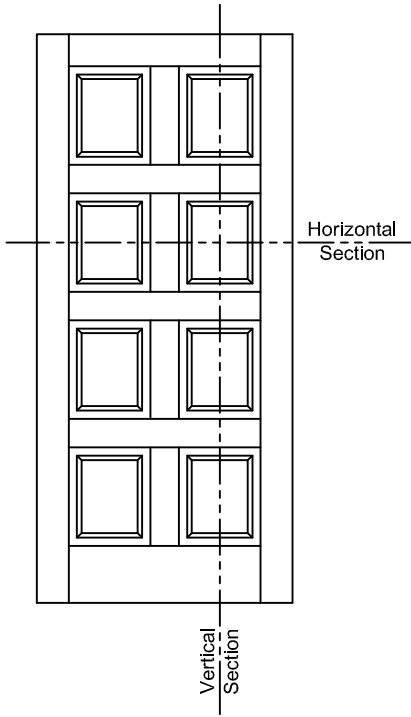
"B" BLOCK
3 3/4" X 3 3/4"



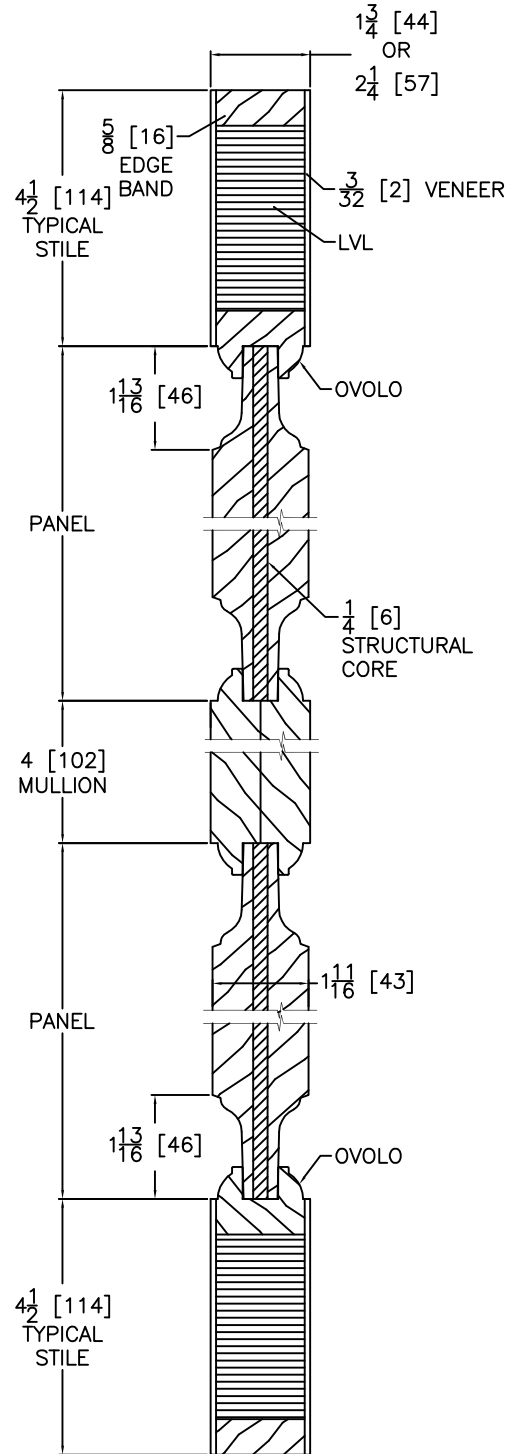
"C" BLOCK
3 3/4" X 3 3/4"

Notes:

Interior corner block may be used for exterior application and vice versa.

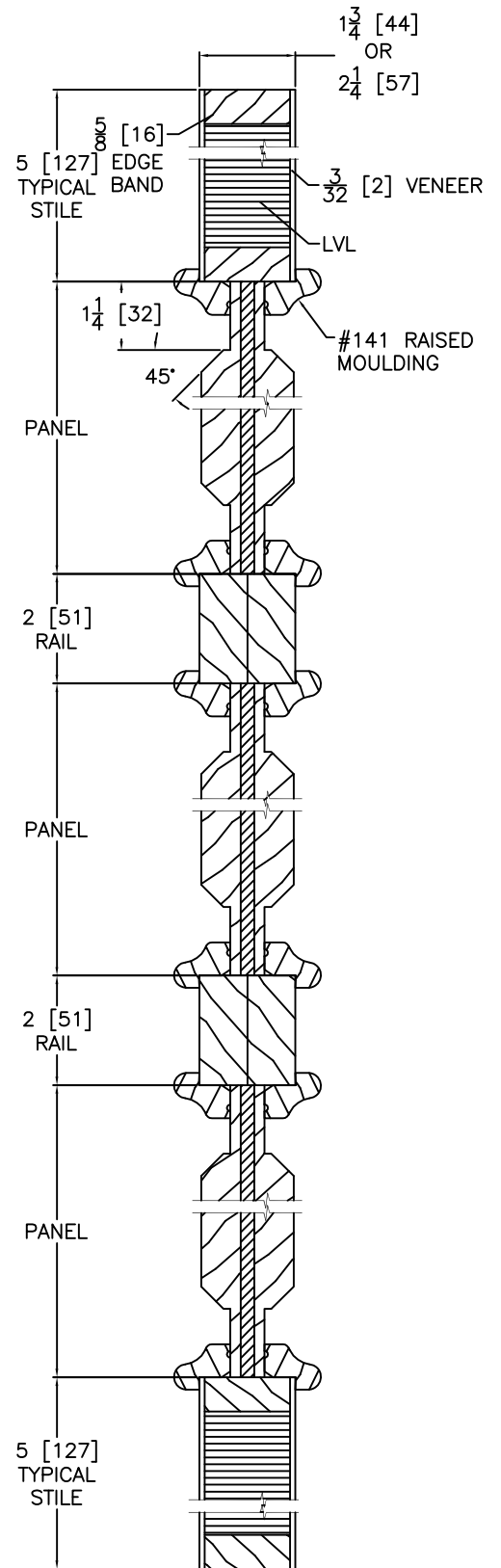
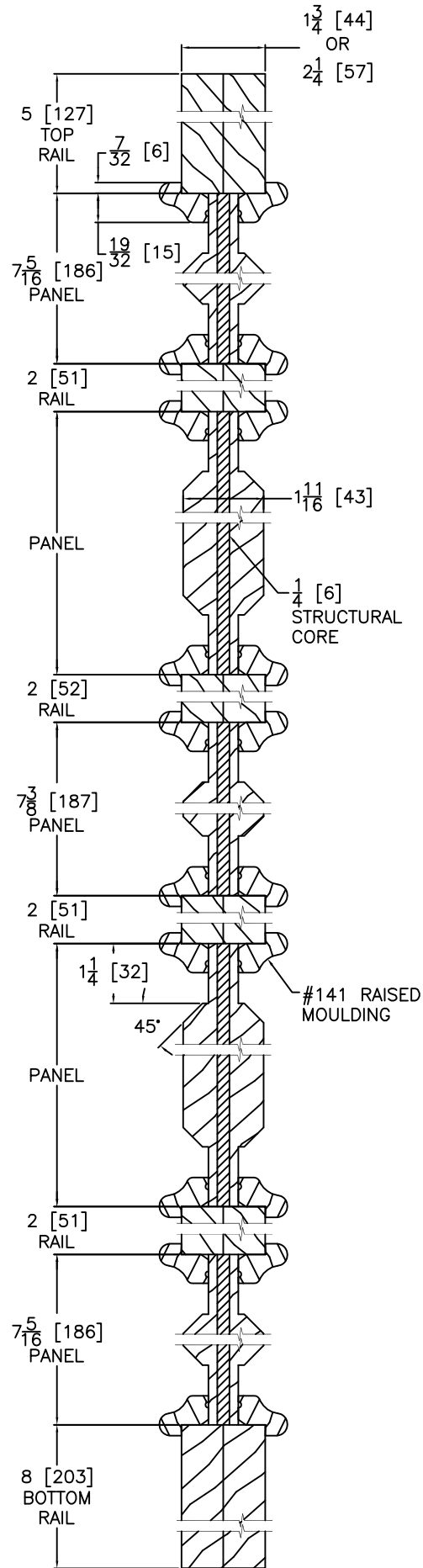
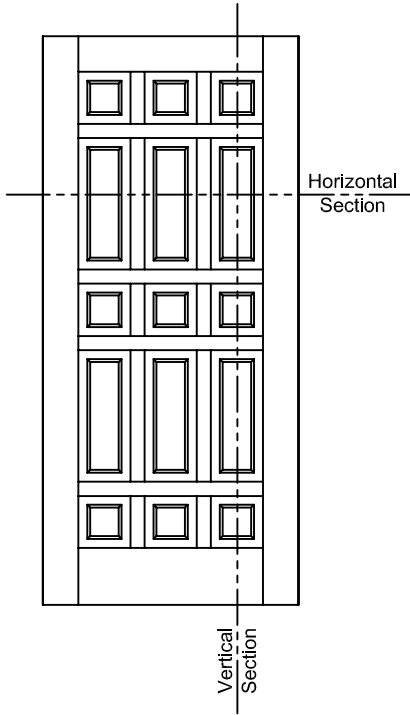


VERTICAL DOOR CROSS SECTION



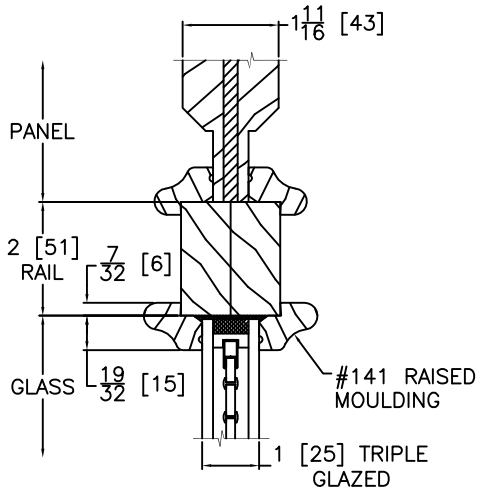
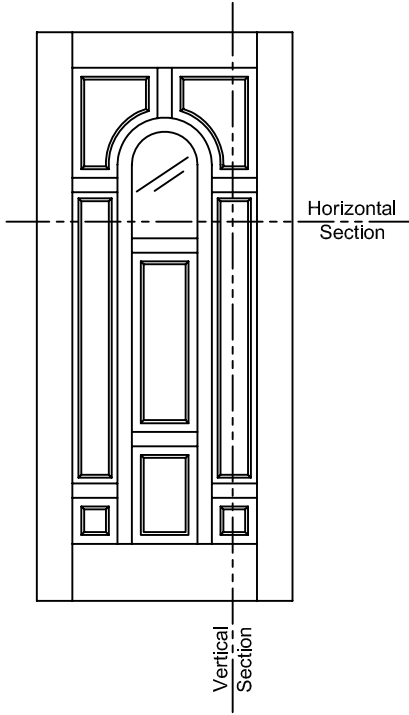
HORIZONTAL DOOR CROSS SECTION
Engineered Stile Option
(Upon Request or Doors > 3'-6" X 8'-0")

Notes:
Stile, Rail, Panel & Glass
vary by Size & Model of Door.
Typical Sizes are Shown.

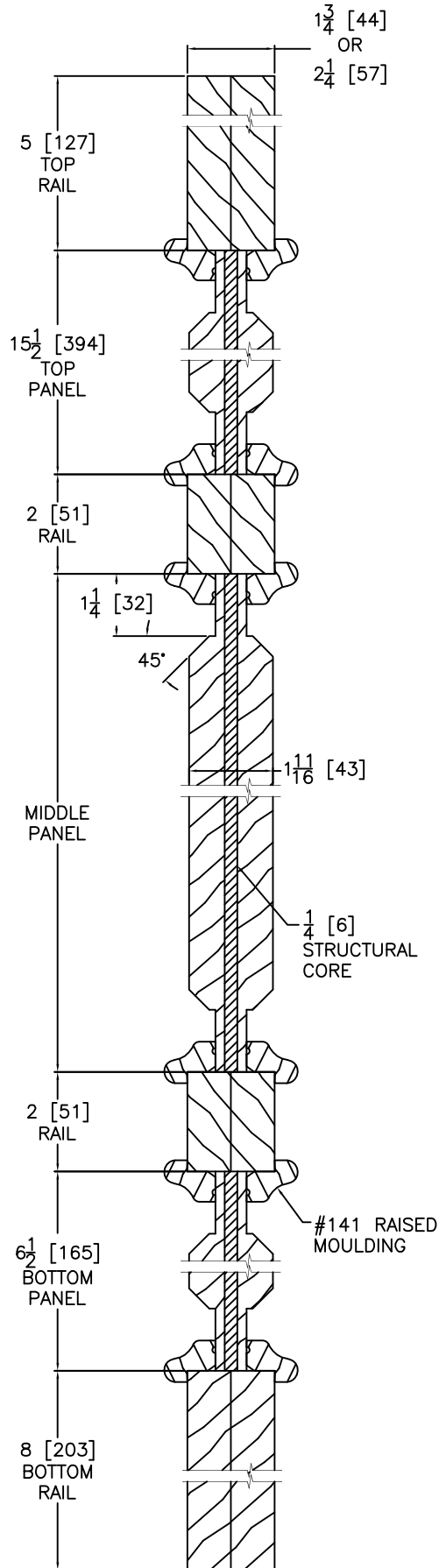


HORIZONTAL DOOR CROSS SECTION
Engineered Stile Option
(Upon Request or Doors >3'-6" X 8'-0")

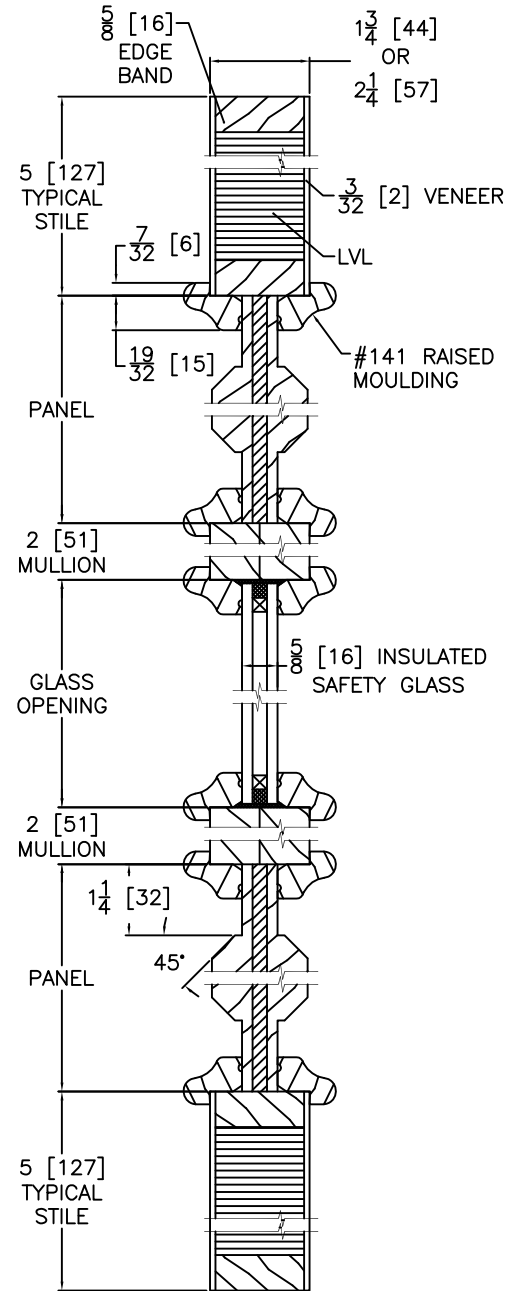
Notes:
Stile, Rail, Panel & Glass
vary by Size & Model of Door.
Typical Sizes are Shown.



VERTICAL DOOR/SIDELIGHT CROSS SECTION
Triple Glazed

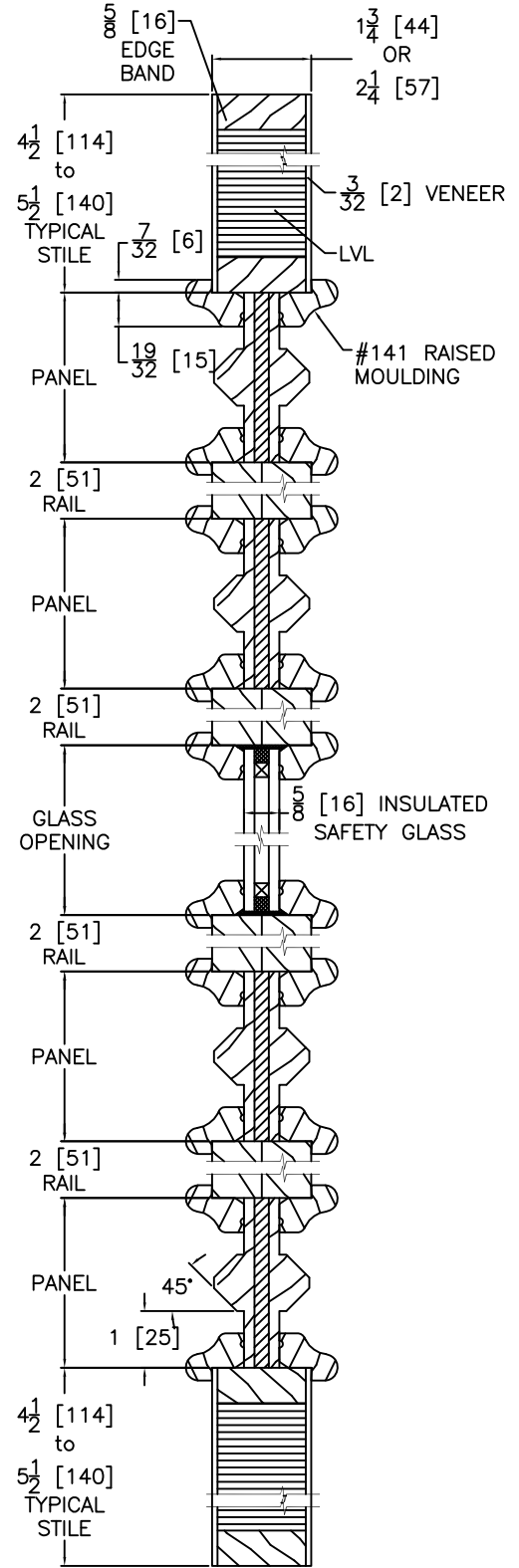
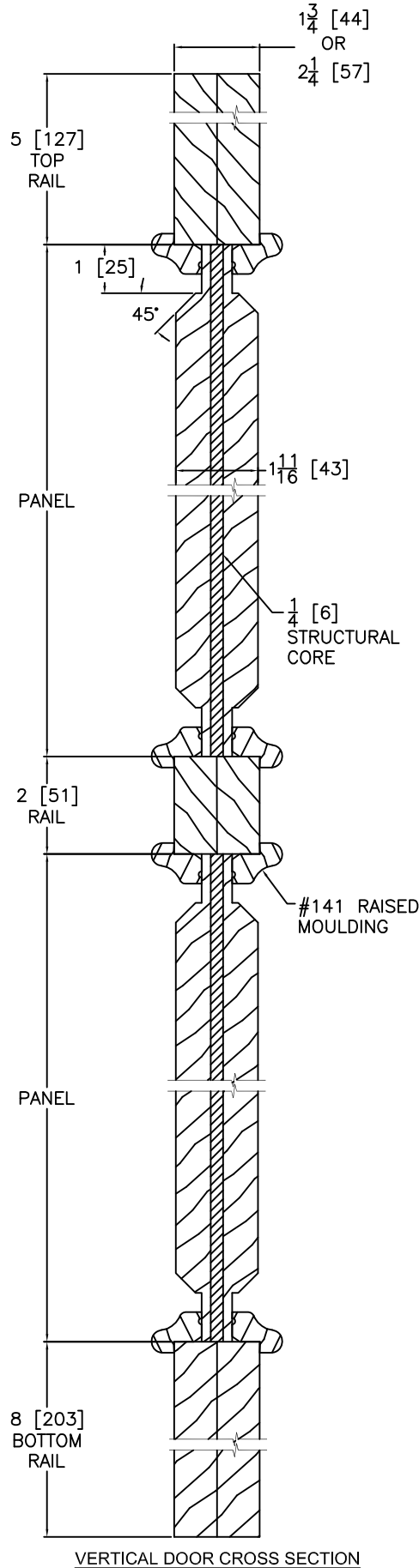
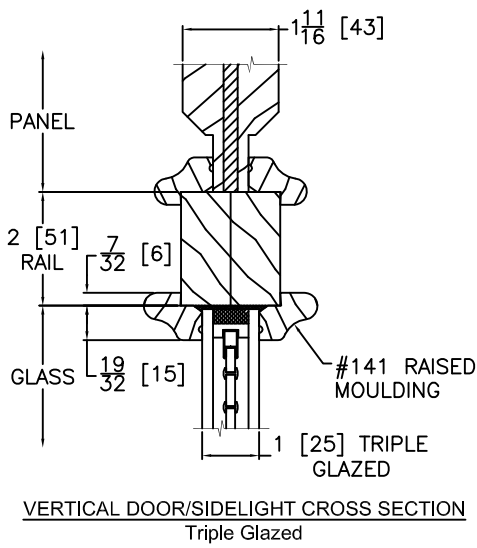
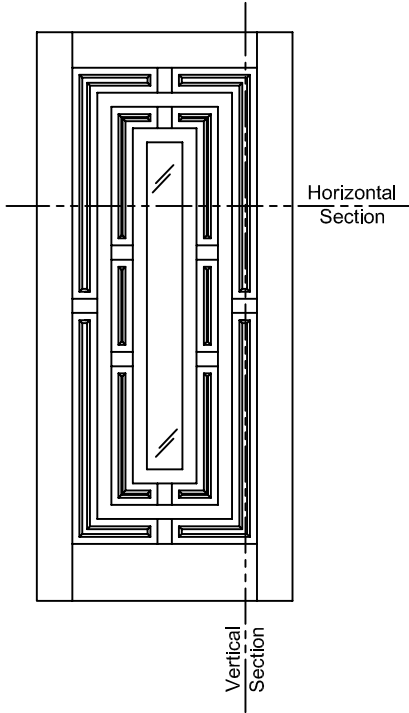


VERTICAL DOOR CROSS SECTION

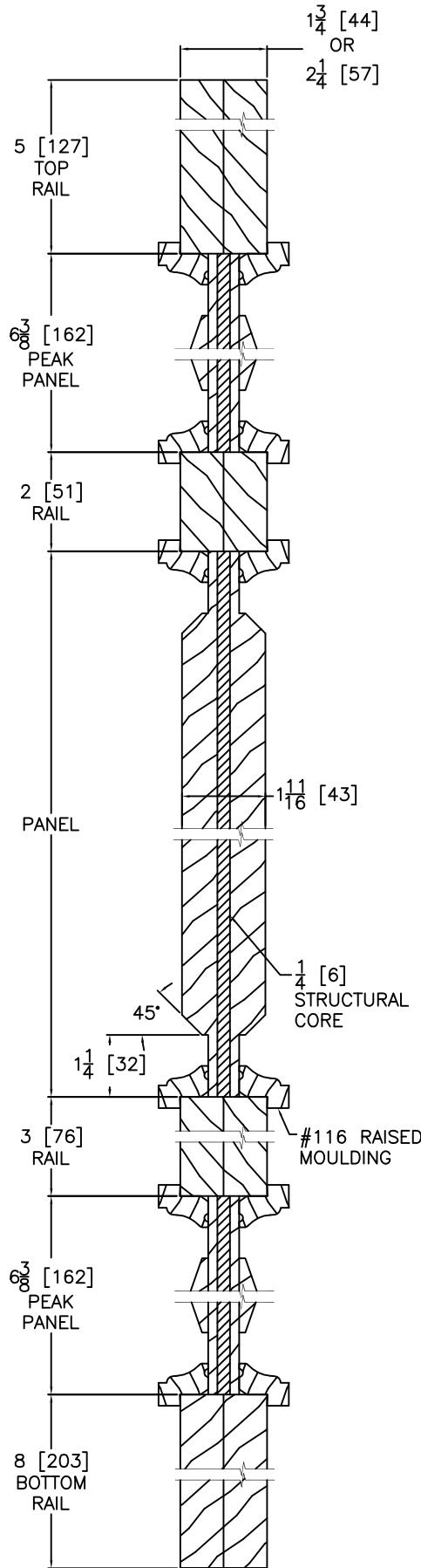
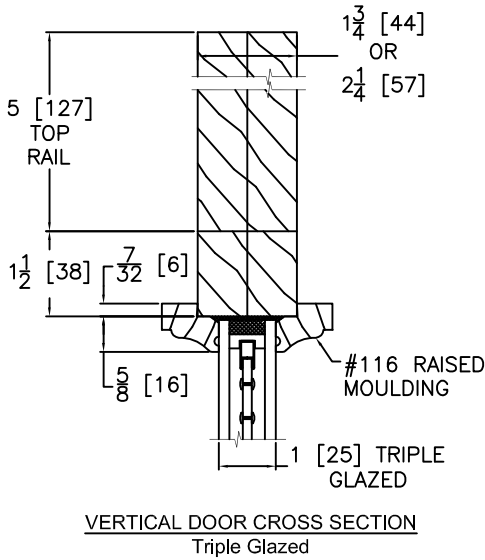
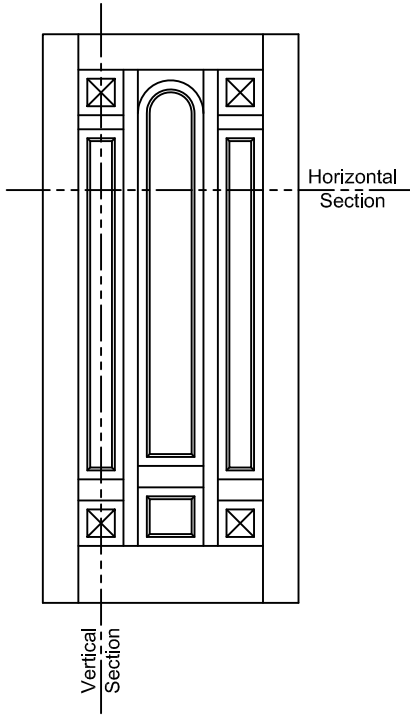


HORIZONTAL DOOR CROSS SECTION
Insulated Glass
Engineered Stile Option
(Upon Request or Doors > 3'-6" X 8'-0")

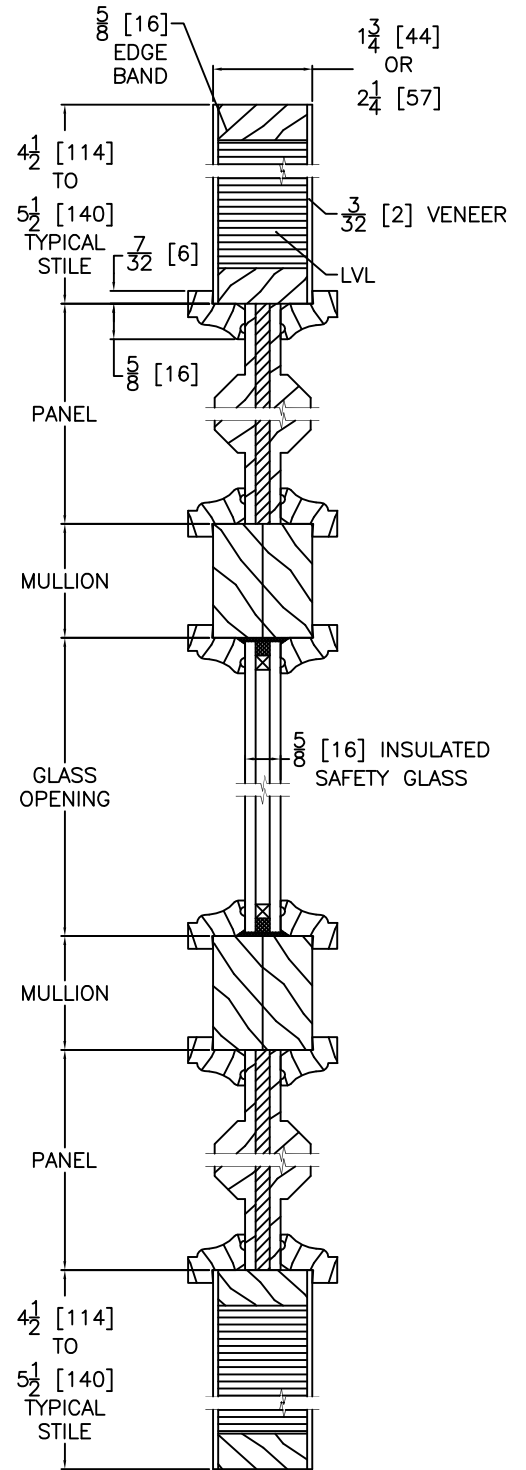
Notes:
Stile, Rail, Panel & Glass
vary by Size & Model of Door.
Typical Sizes are Shown.



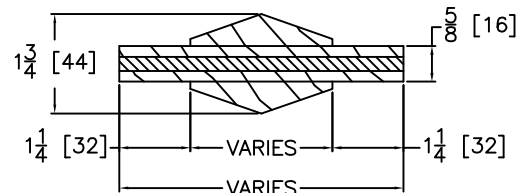
Notes:
Stile, Rail, Panel & Glass
vary by Size & Model of Door.
Typical Sizes are Shown.



VERTICAL DOOR CROSS SECTION

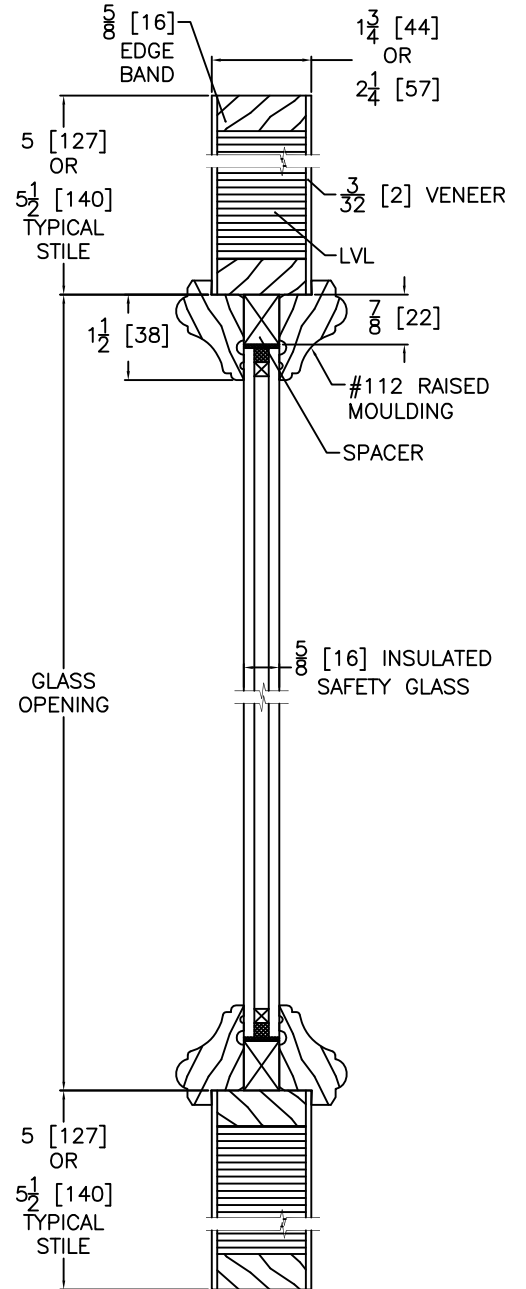
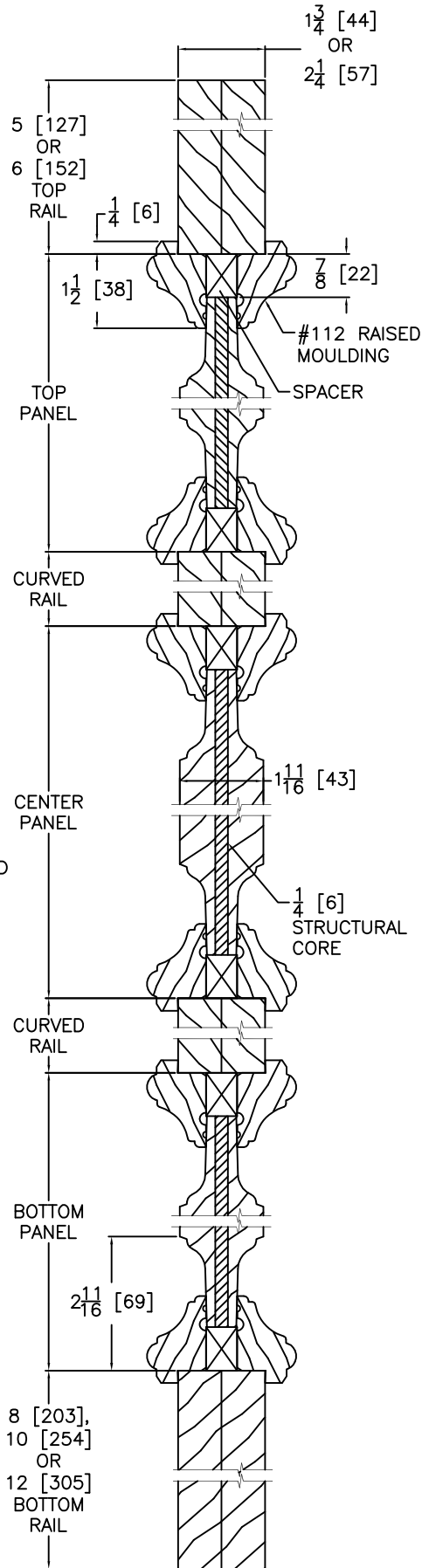
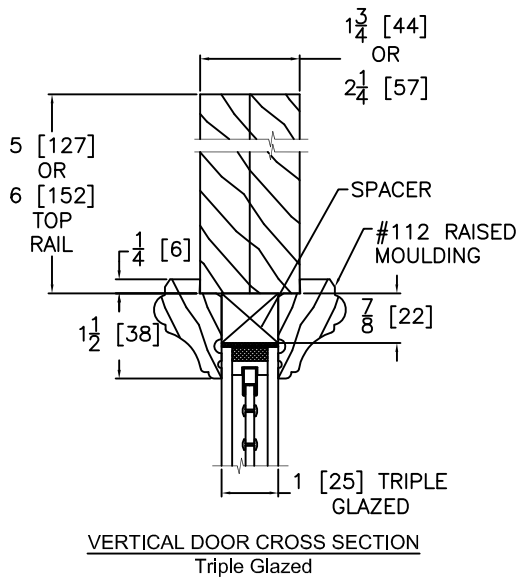
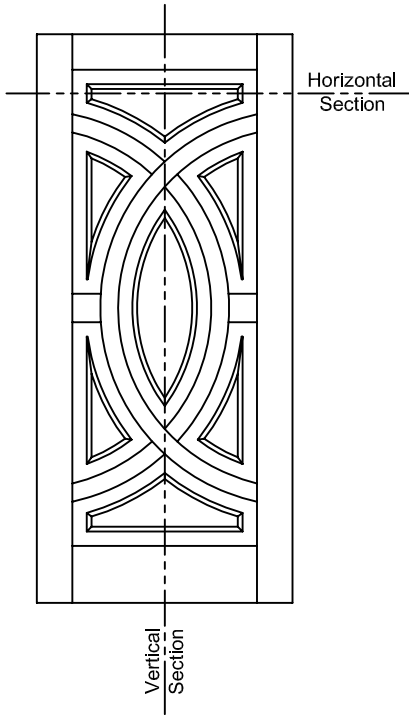


HORIZONTAL DOOR CROSS SECTION
Insulated Glass
Engineered Stile Option
(Upon Request or Doors > 3'-6" X 8'-0")

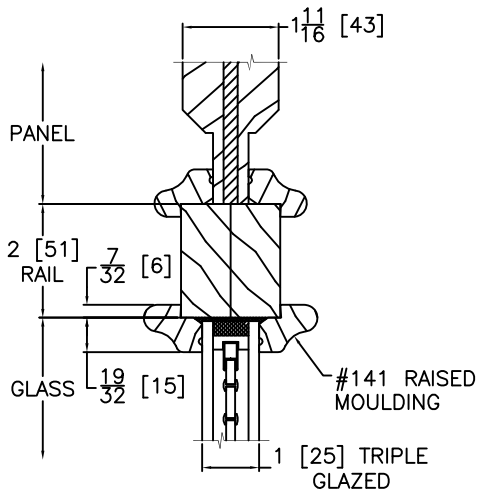
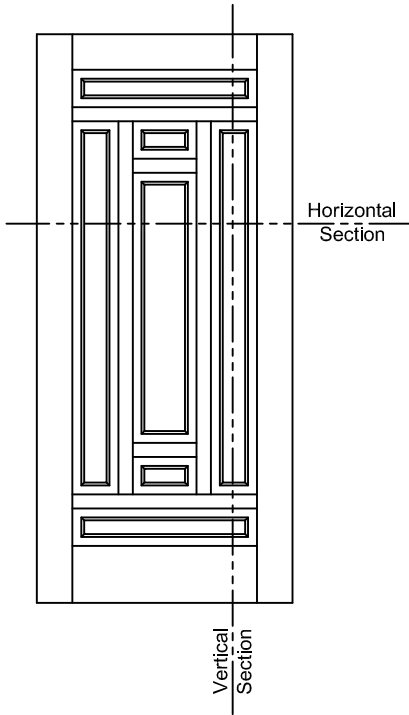


PEAK PANEL DETAIL

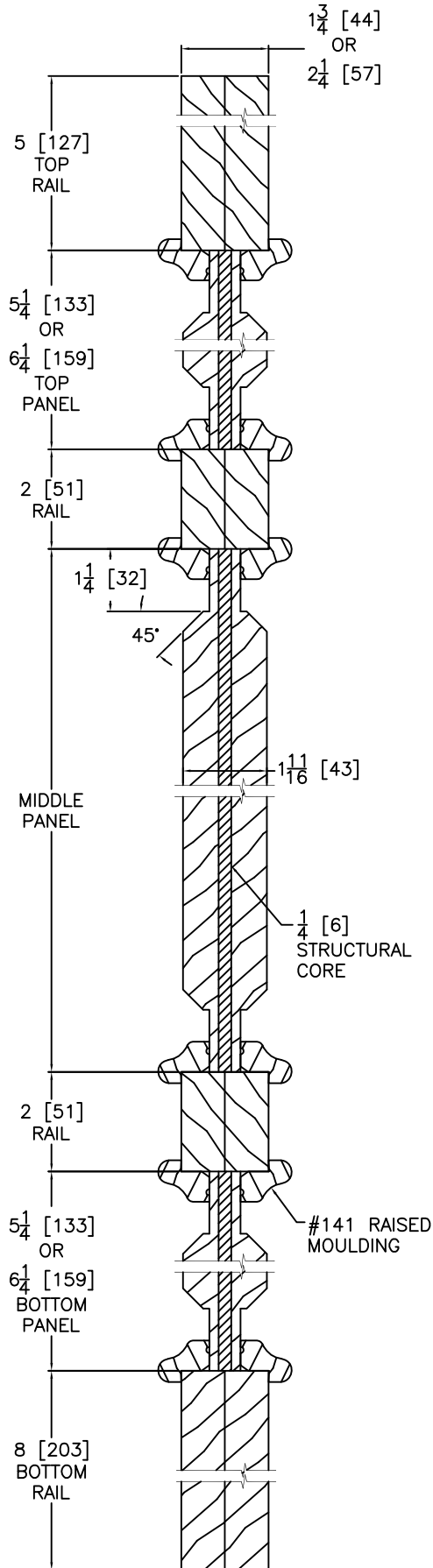
Notes:
Stile, Rail, Panel & Glass
vary by Size & Model of Door.
Typical Sizes are Shown.



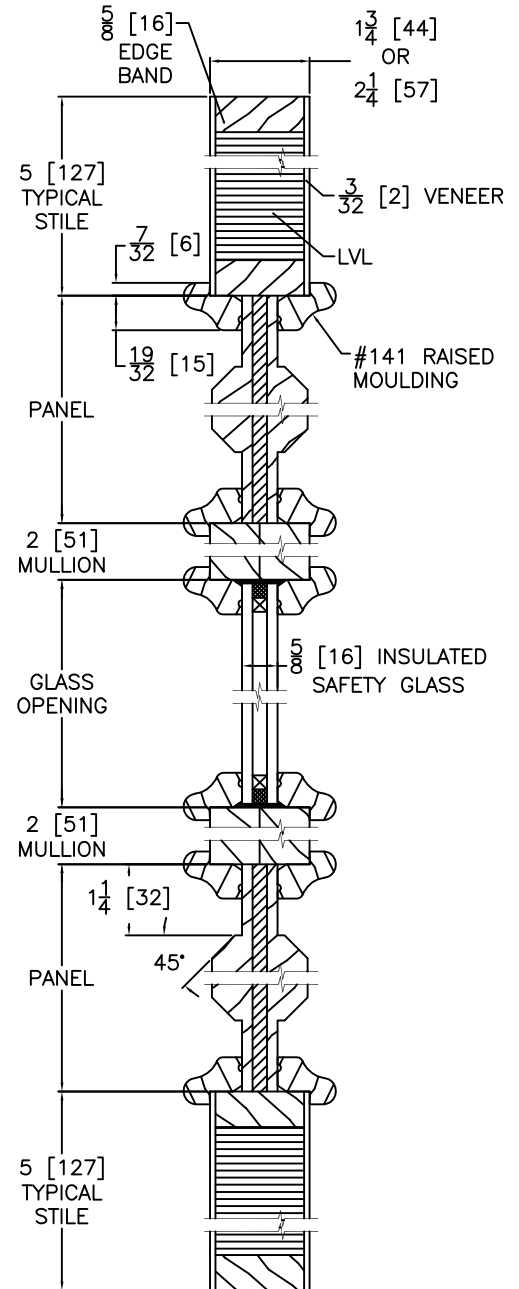
Notes:
Stile, Rail, Panel & Glass
vary by Size & Model of Door.
Typical Sizes are Shown.



VERTICAL DOOR/SIDELIGHT CROSS SECTION
Triple Glazed

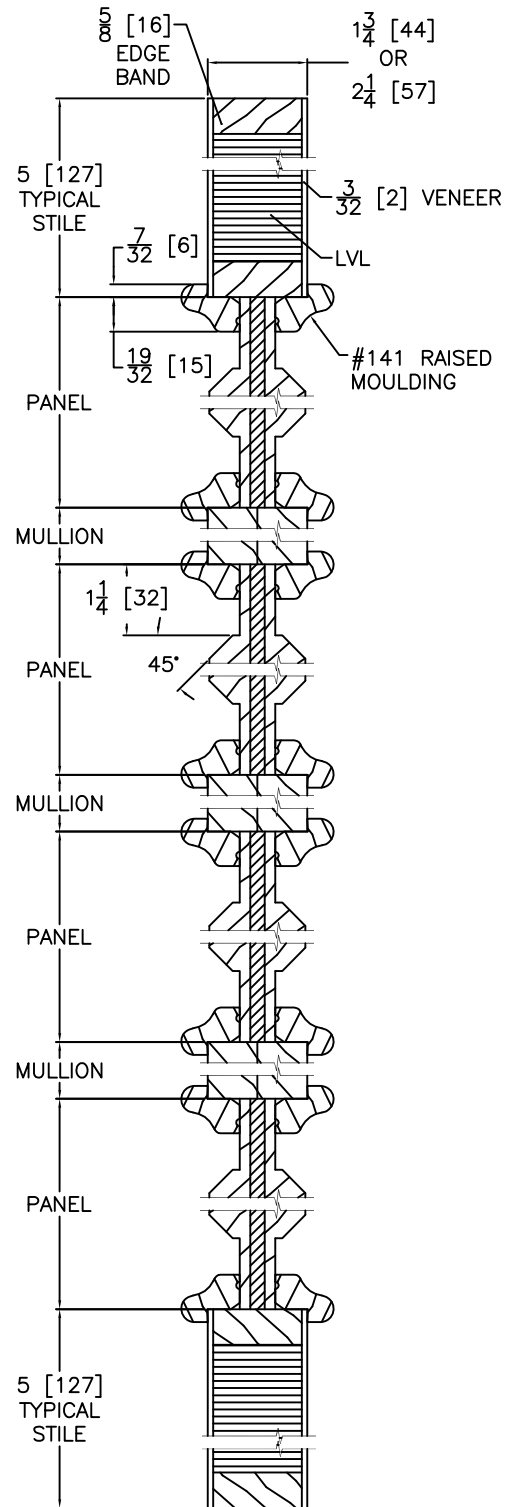
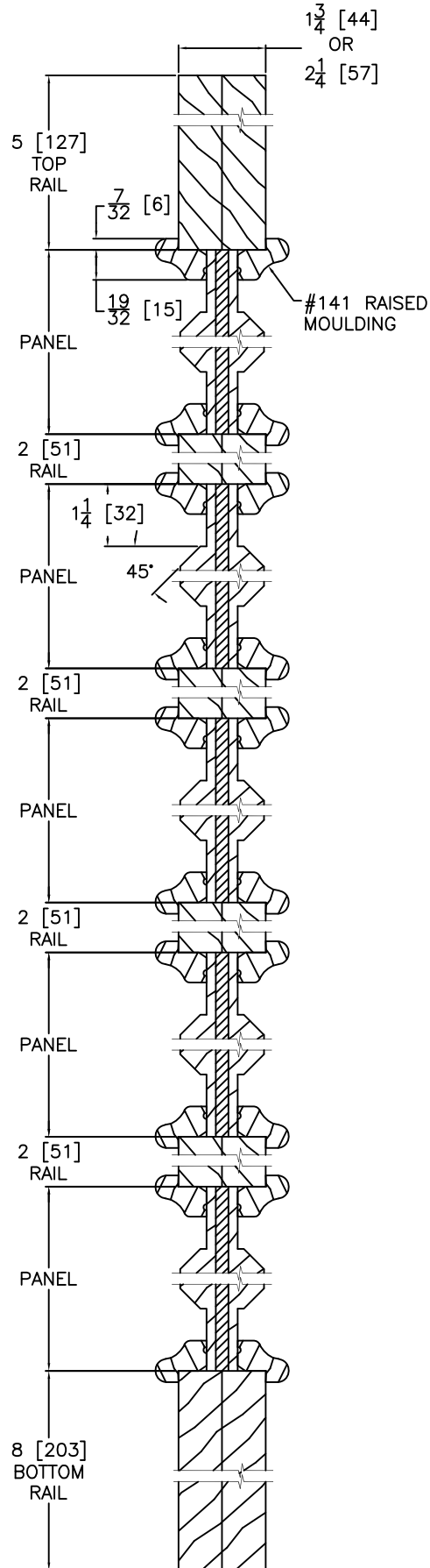
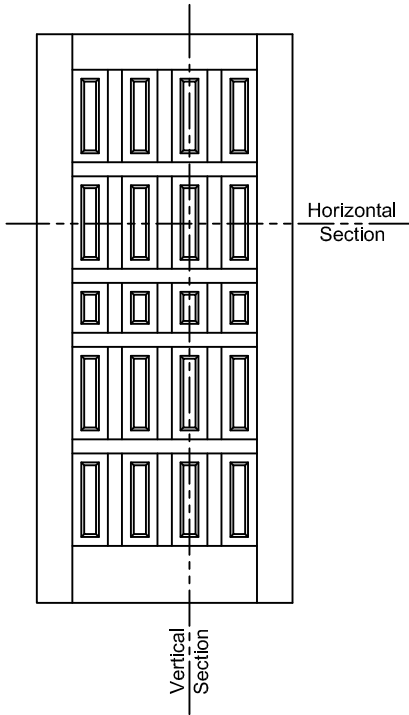


VERTICAL DOOR CROSS SECTION



HORIZONTAL DOOR CROSS SECTION
Insulated Glass
Engineered Stile Option
(Upon Request or Doors > 3'-6" X 8'-0")

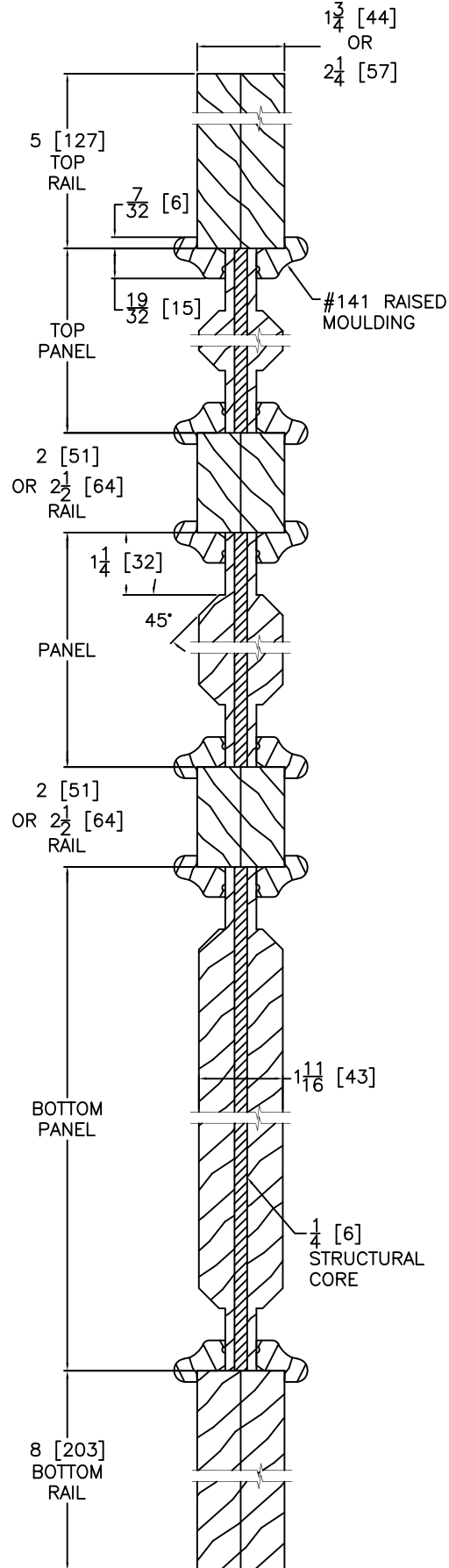
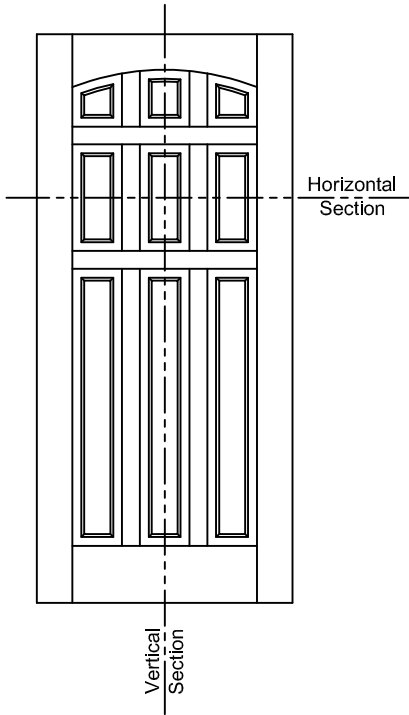
Notes:
Stile, Rail, Panel & Glass
vary by Size & Model of Door.
Typical Sizes are Shown.



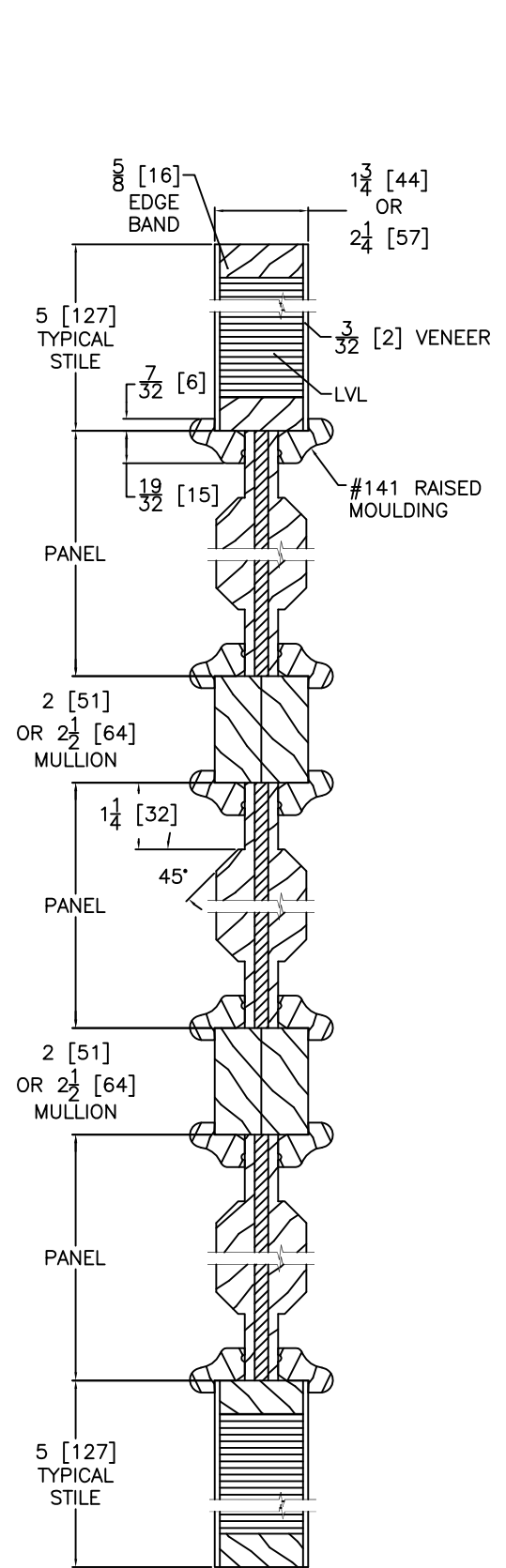
Notes:
Stile,Rail,Panel & Glass
vary by Size & Model of Door.
Typical Sizes are Shown.

VERTICAL DOOR CROSS SECTION

HORIZONTAL DOOR CROSS SECTION
Engineered Stile Option
(Upon Request or Doors > 3'-6" X 8'-0")

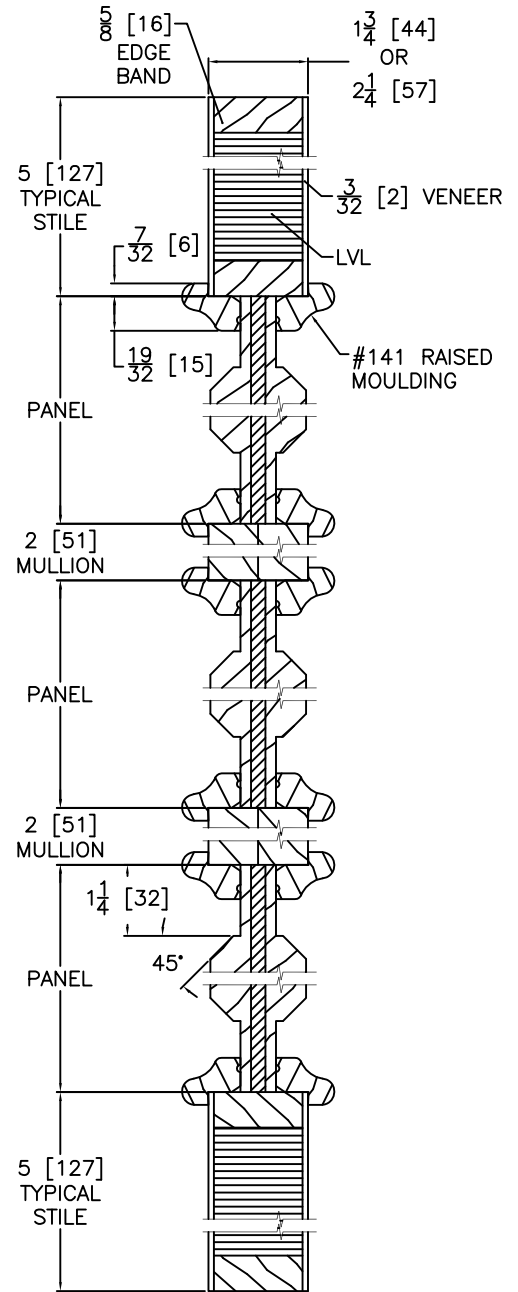
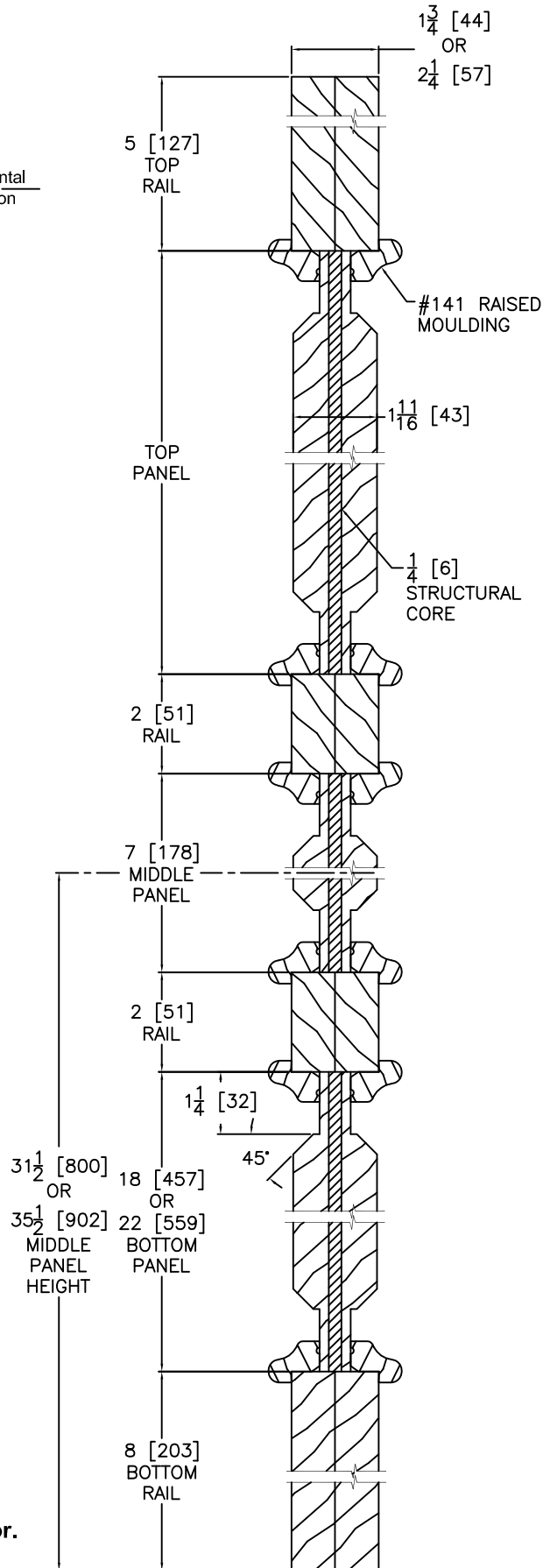
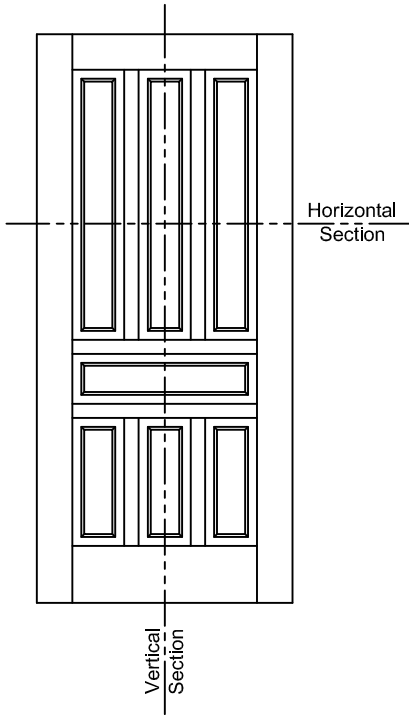


VERTICAL DOOR CROSS SECTION



HORIZONTAL DOOR CROSS SECTION
Engineered Stile Option
(Upon Request or Doors > 3'-6" X 8'-0")

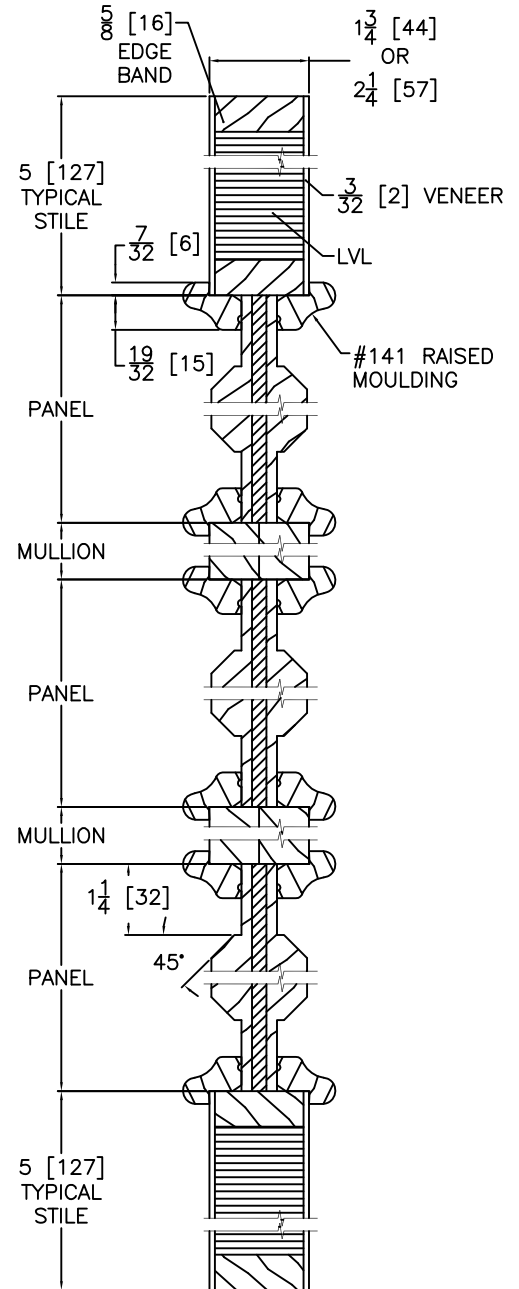
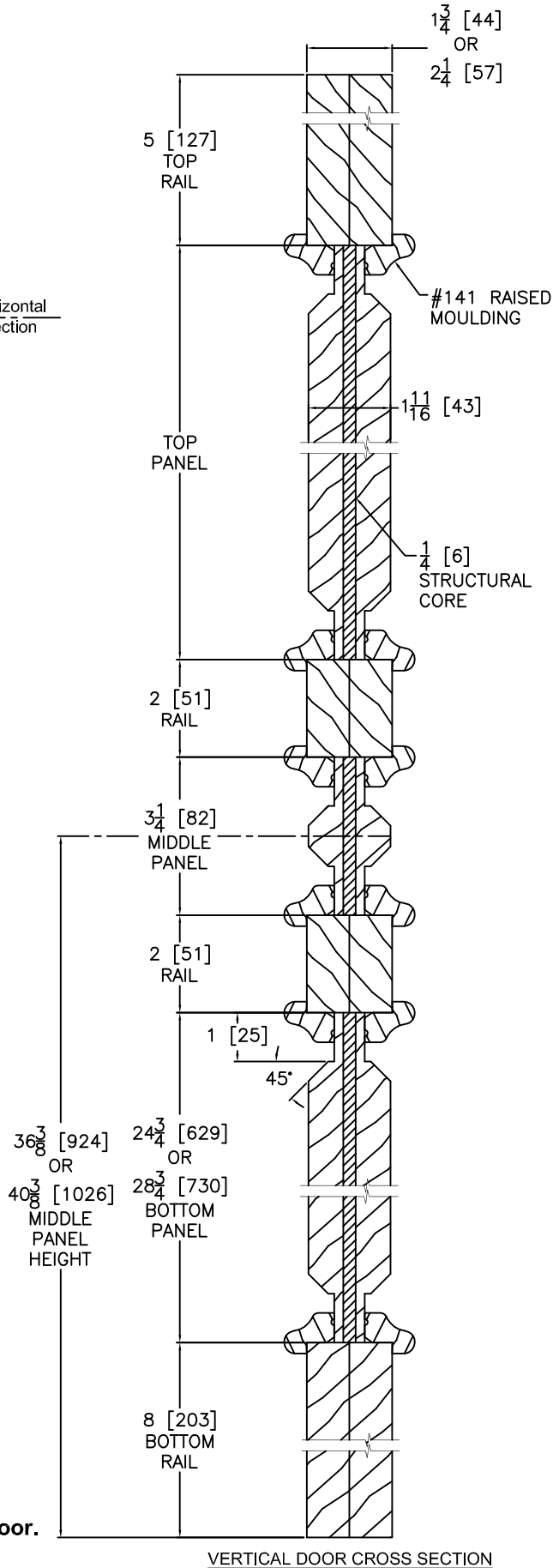
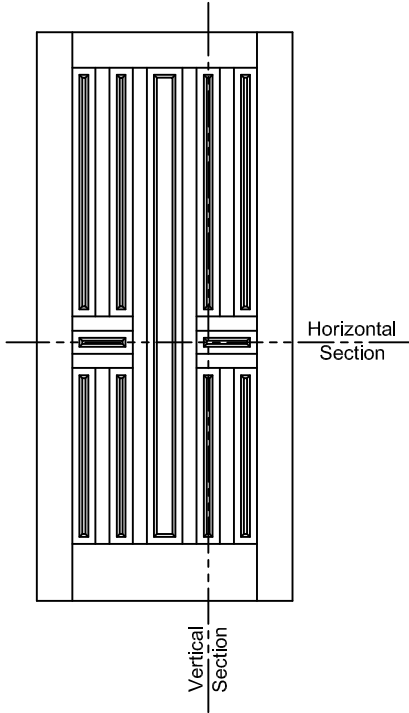
Notes:
Stile, Rail, Panel & Glass
vary by Size & Model of Door.
Typical Sizes are Shown.



HORIZONTAL DOOR CROSS SECTION
Engineered Stile Option
(Upon Request or Doors >3'-6" X 8'-0")

Notes:
Stile, Rail, Panel & Glass
vary by Size & Model of Door.
Typical Sizes are Shown.

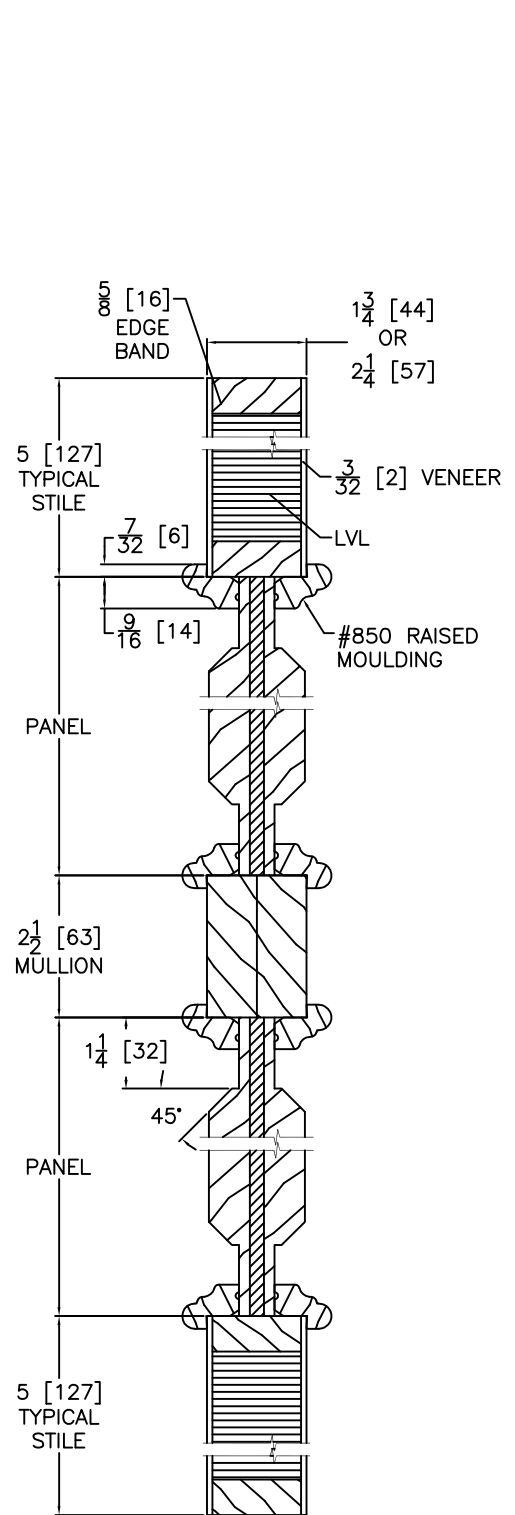
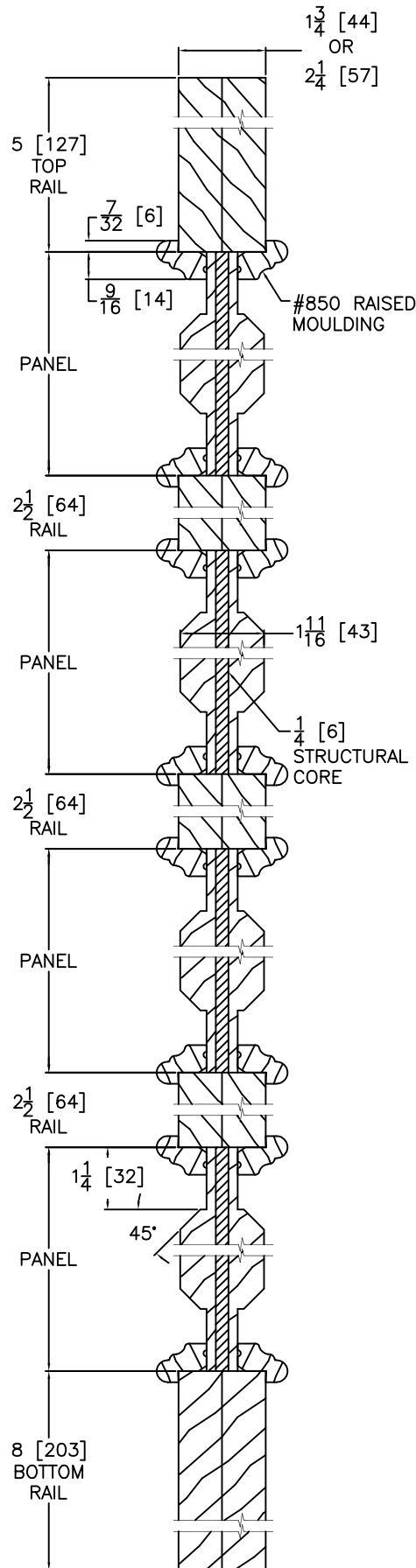
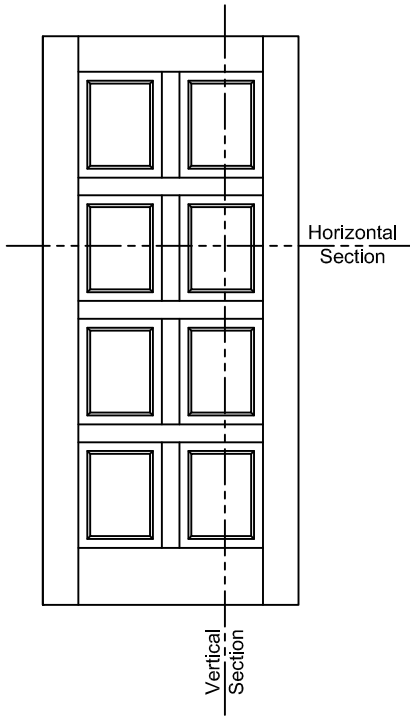
VERTICAL DOOR CROSS SECTION



HORIZONTAL DOOR CROSS SECTION
Engineered Stile Option
(Upon Request or Doors > 3'-6" X 8'-0")

Notes:
Stile, Rail, Panel & Glass
vary by Size & Model of Door.
Typical Sizes are Shown.

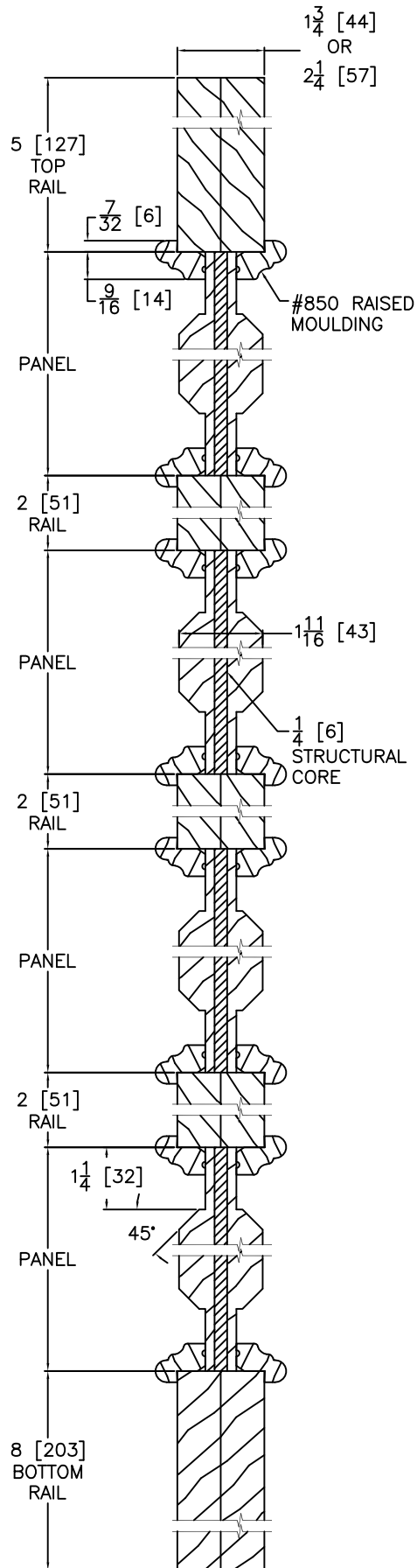
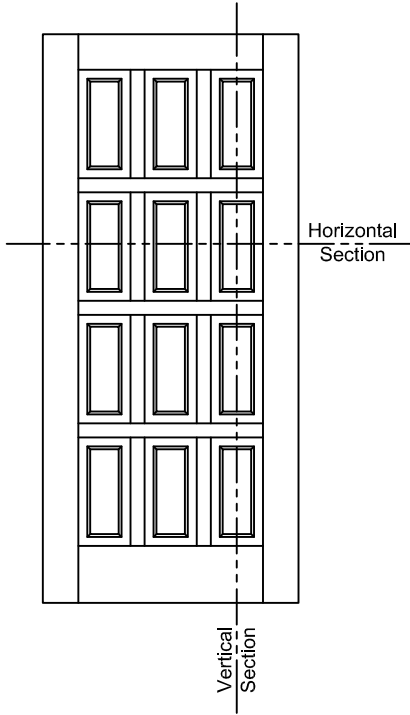
VERTICAL DOOR CROSS SECTION



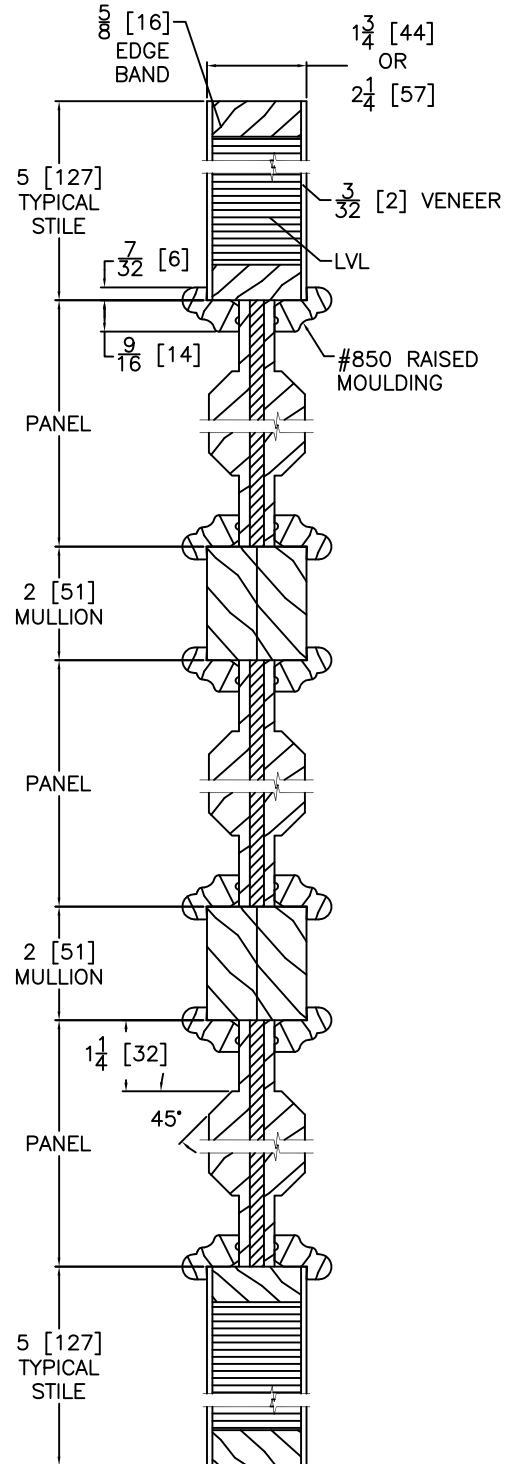
HORIZONTAL DOOR CROSS SECTION
Engineered Stile Option
(Upon Request or Doors >3'-6"X8'-0")

VERTICAL DOOR CROSS SECTION

Notes:
Stile,Rail,Panel & Glass
vary by Size & Model of Door.
Typical Sizes are Shown.

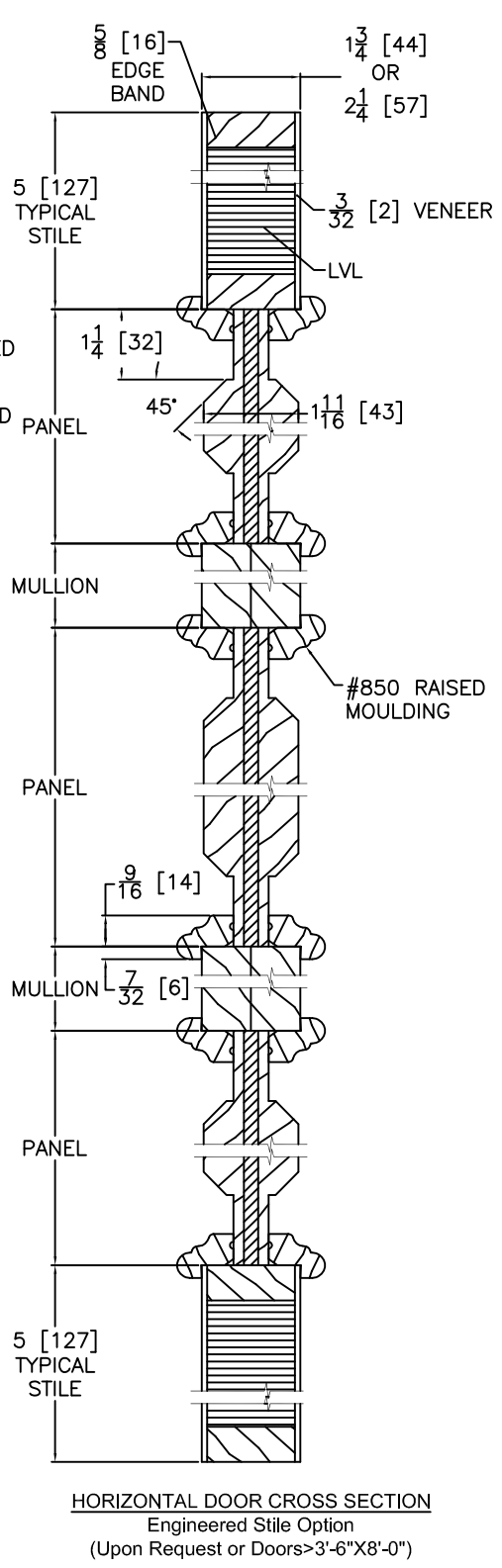
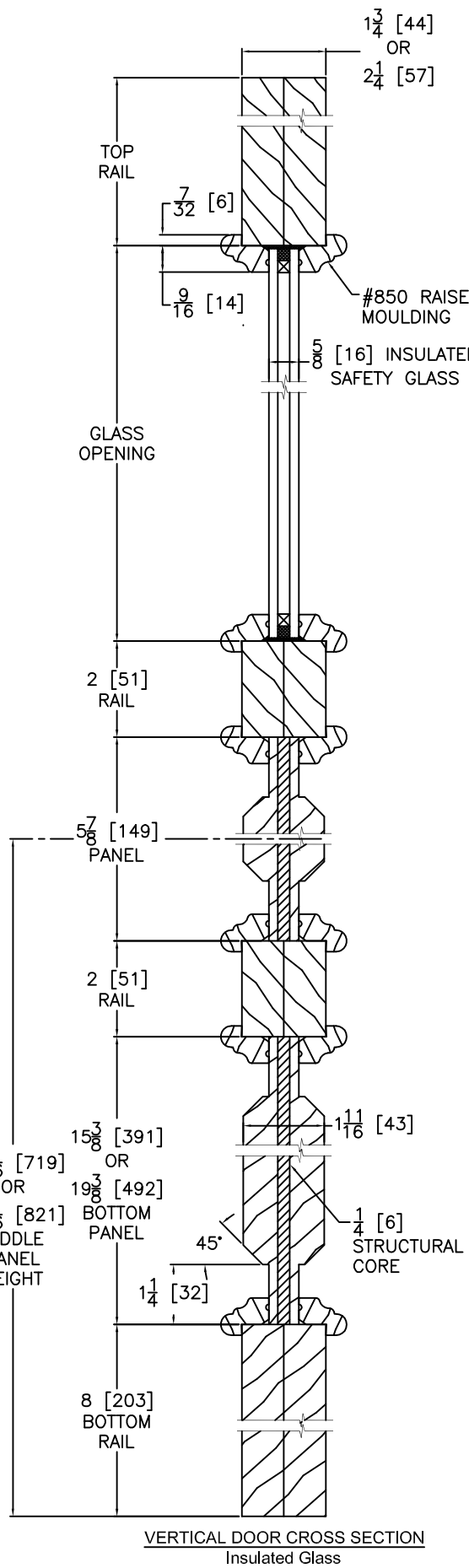
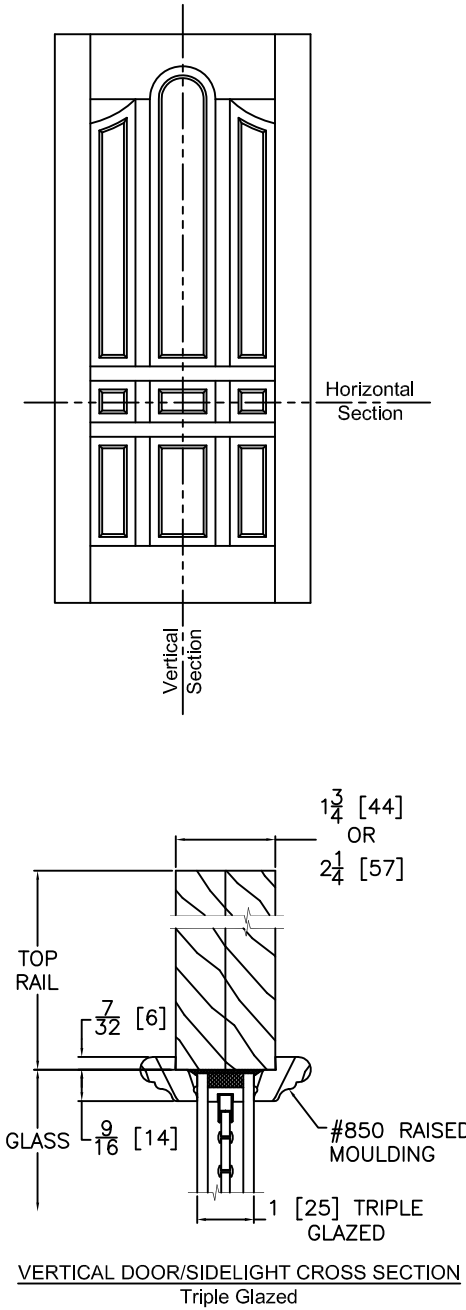


VERTICAL DOOR CROSS SECTION

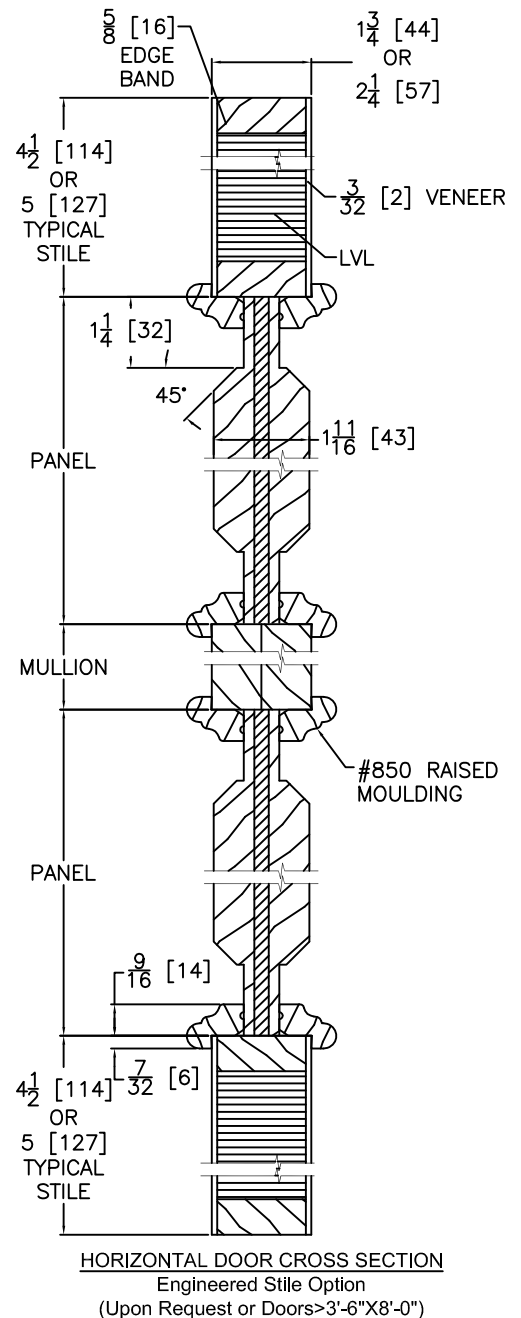
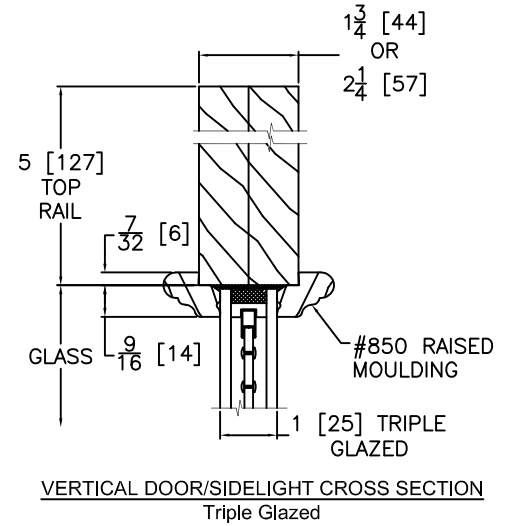
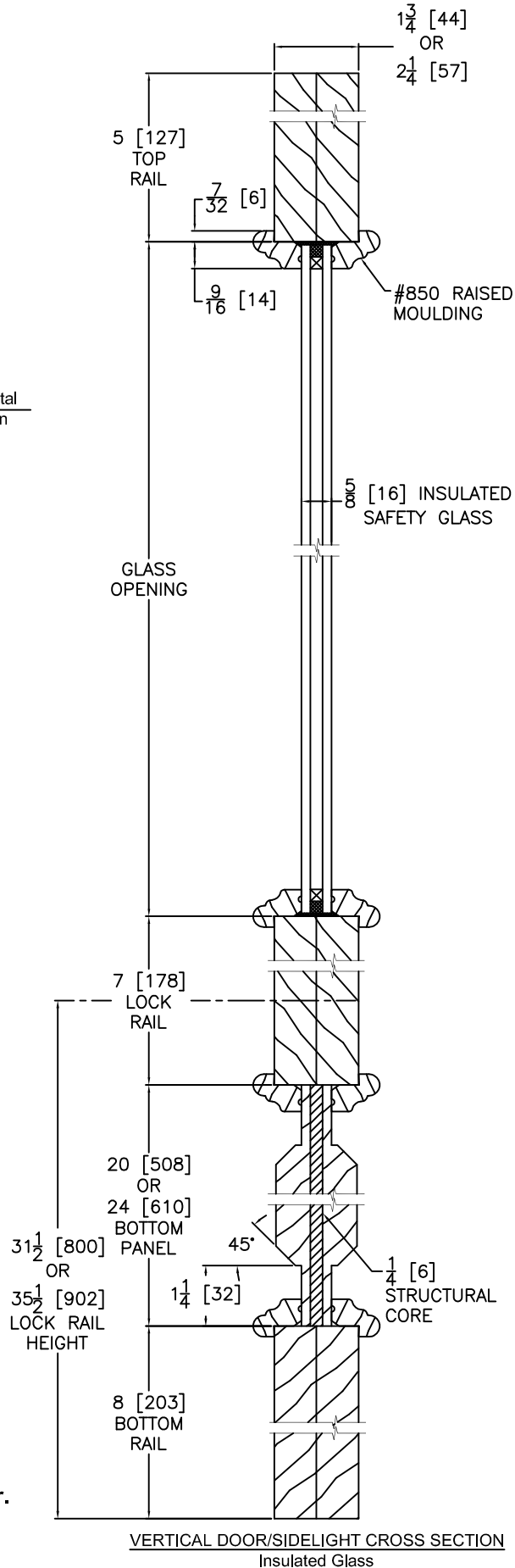
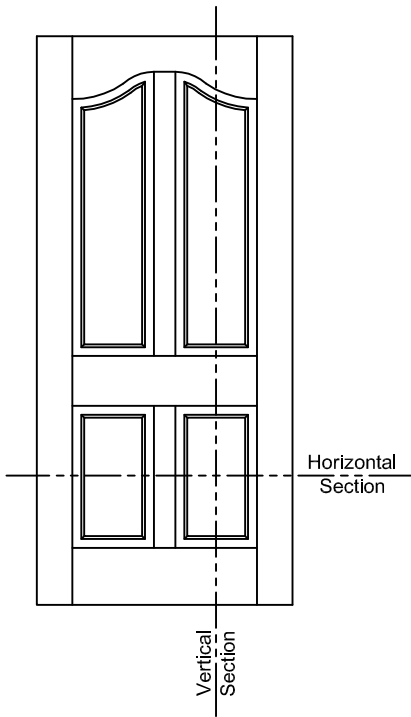


HORIZONTAL DOOR CROSS SECTION
Engineered Stile Option
(Upon Request or Doors >3'-6" X 8'-0")

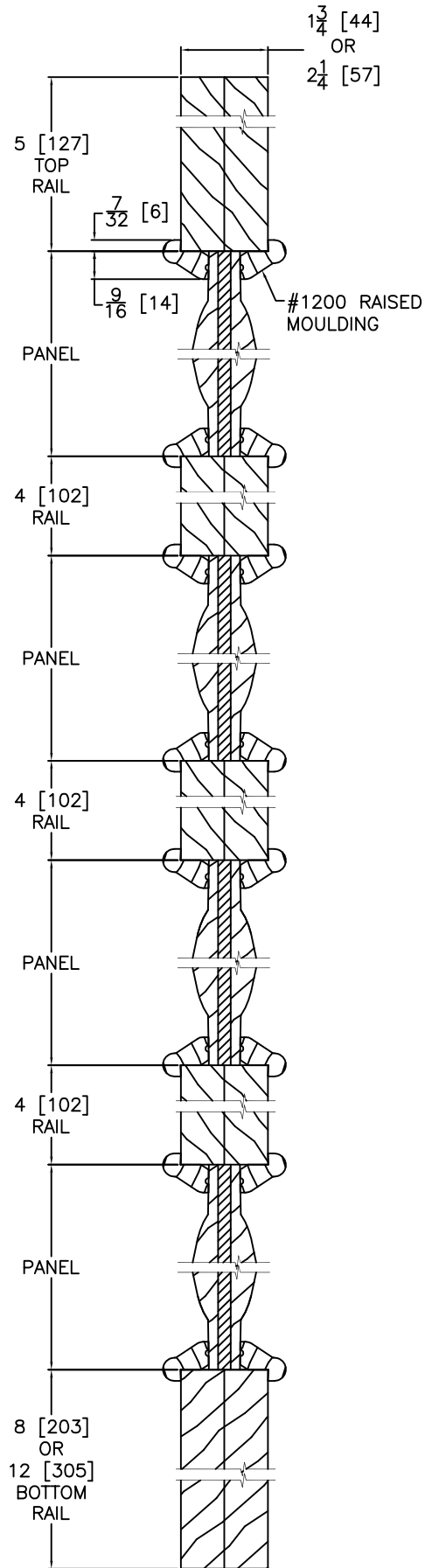
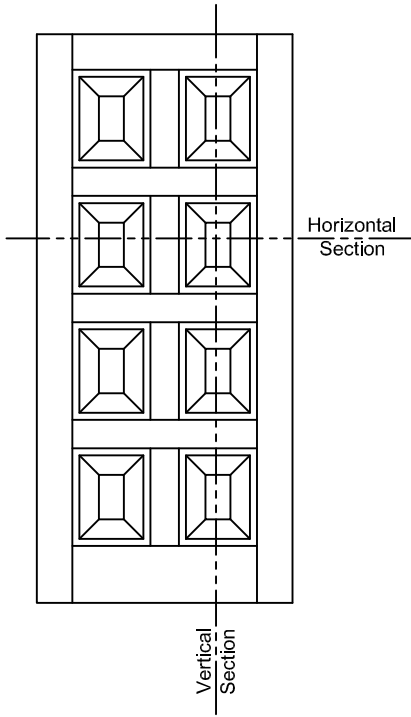
Notes:
Stile, Rail, Panel & Glass
vary by Size & Model of Door.
Typical Sizes are Shown.



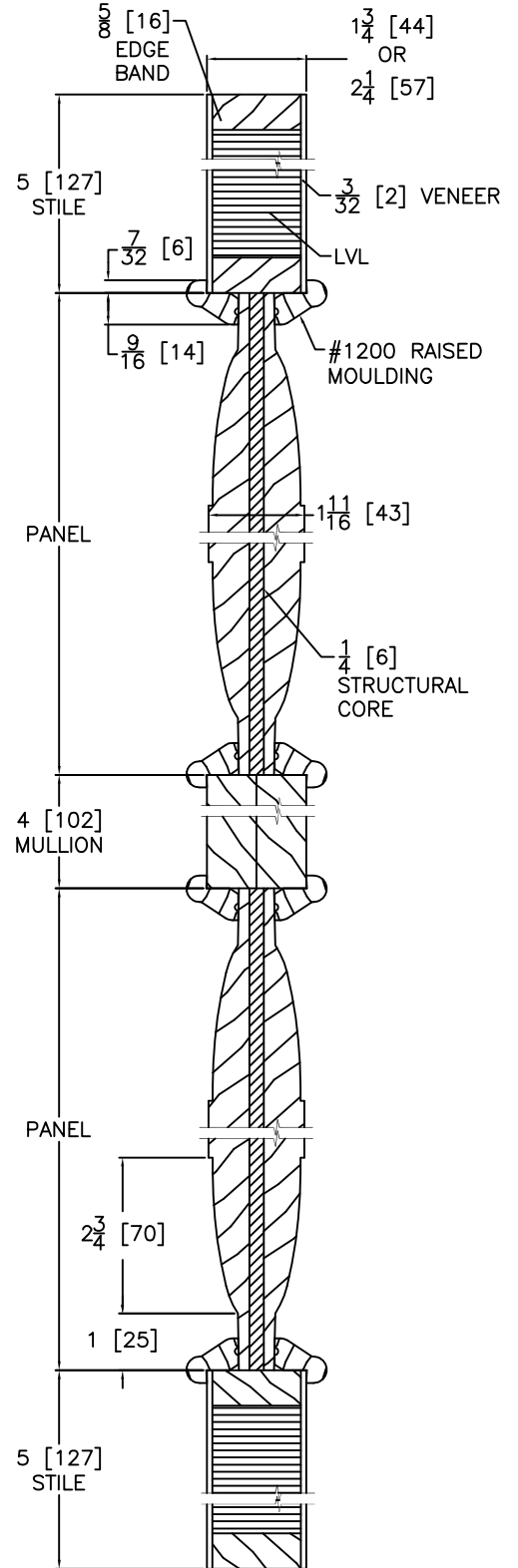
Notes:
Stile, Rail, Panel & Glass
vary by Size & Model of Door.
Typical Sizes are Shown.



Notes:
Stile, Rail, Panel & Glass
vary by Size & Model of Door.
Typical Sizes are Shown.



VERTICAL DOOR CROSS SECTION

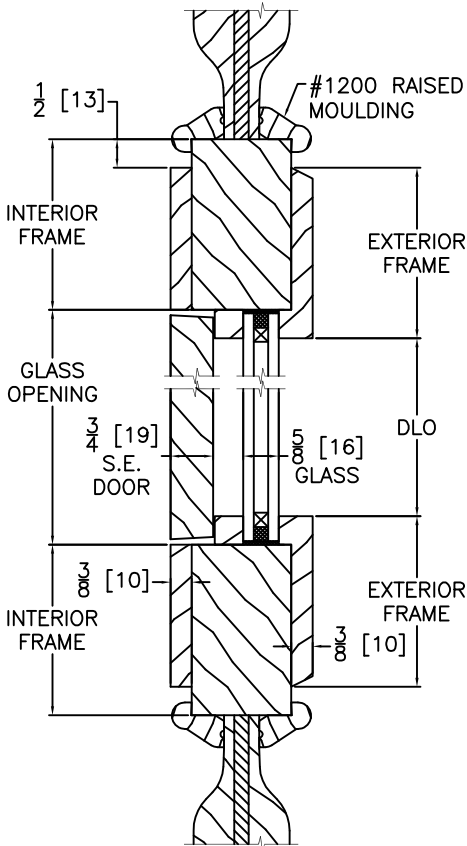
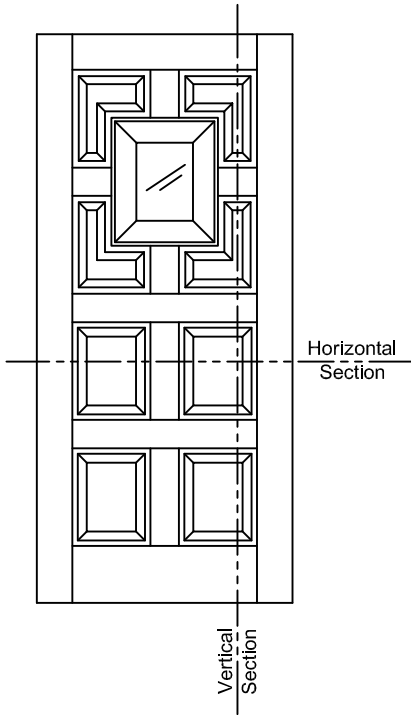


HORIZONTAL DOOR CROSS SECTION

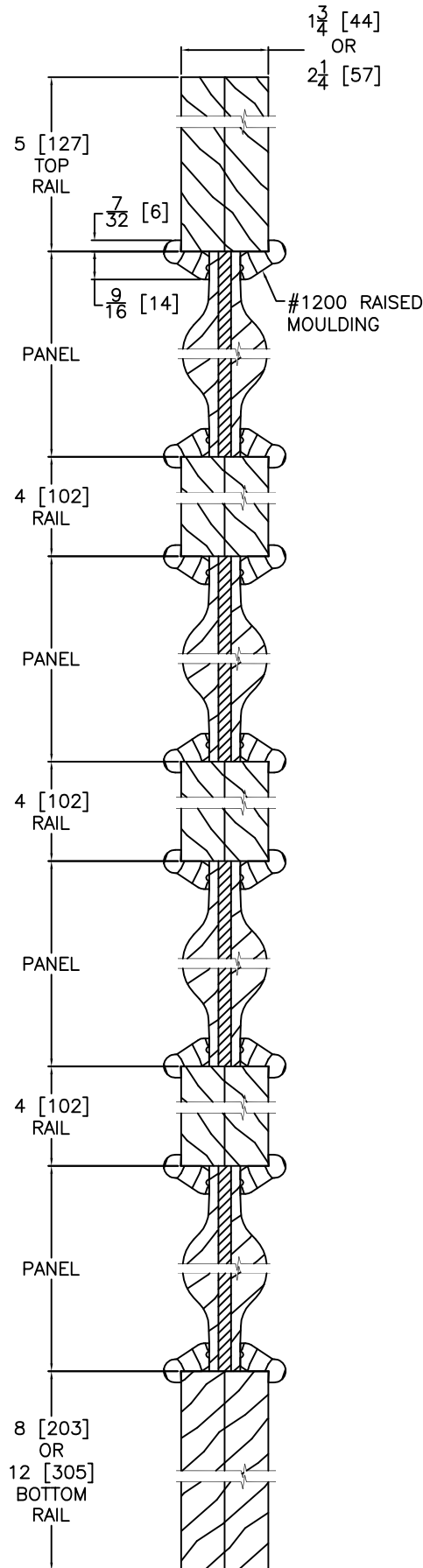
Engineered Stile Option

(Upon Request or Doors > 3'-6" X 8'-0")

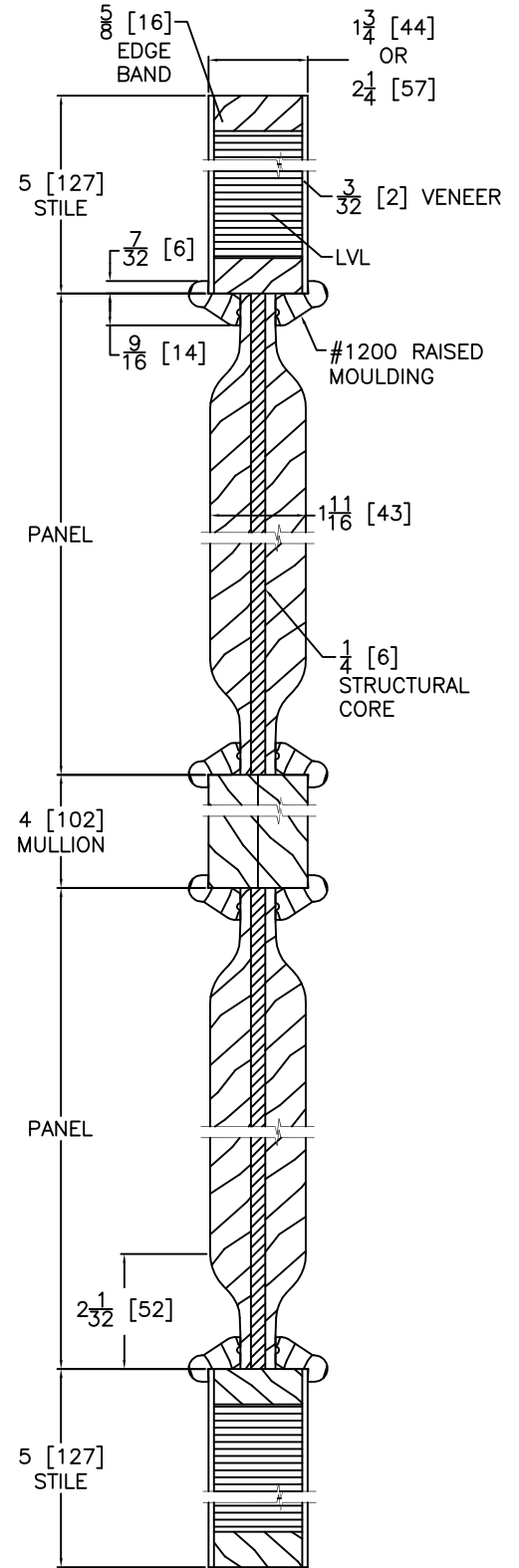
Notes:
Stile, Rail, Panel & Glass
vary by Size & Model of Door.
Typical Sizes are Shown.



SPEAKEASY CROSS SECTION
Insulated Glass

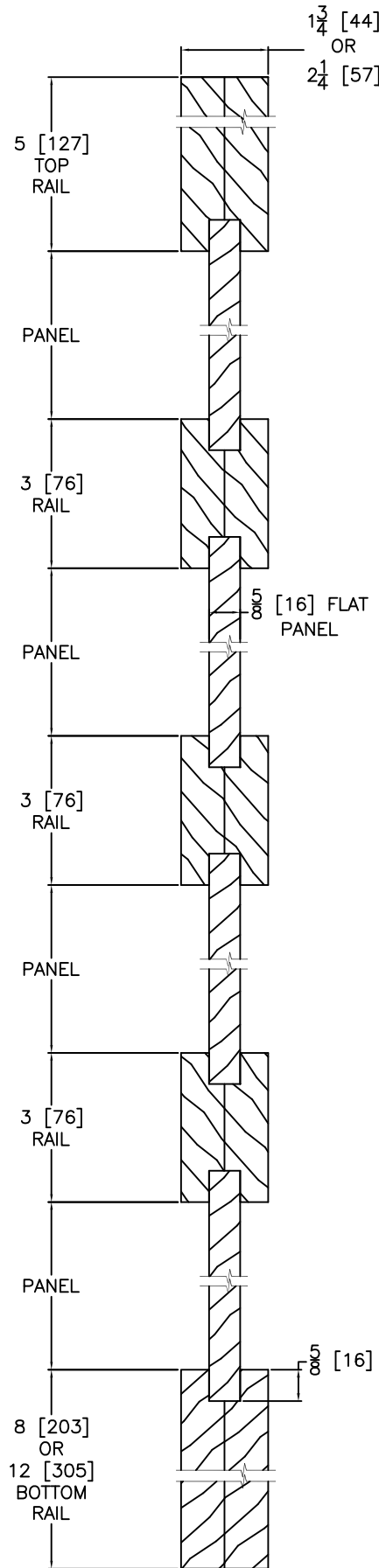
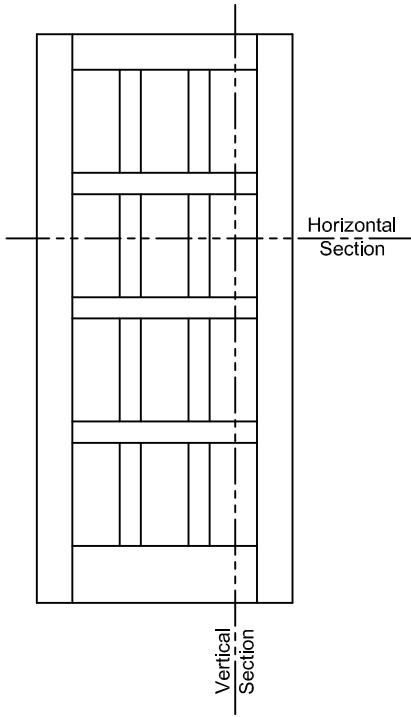


VERTICAL DOOR CROSS SECTION

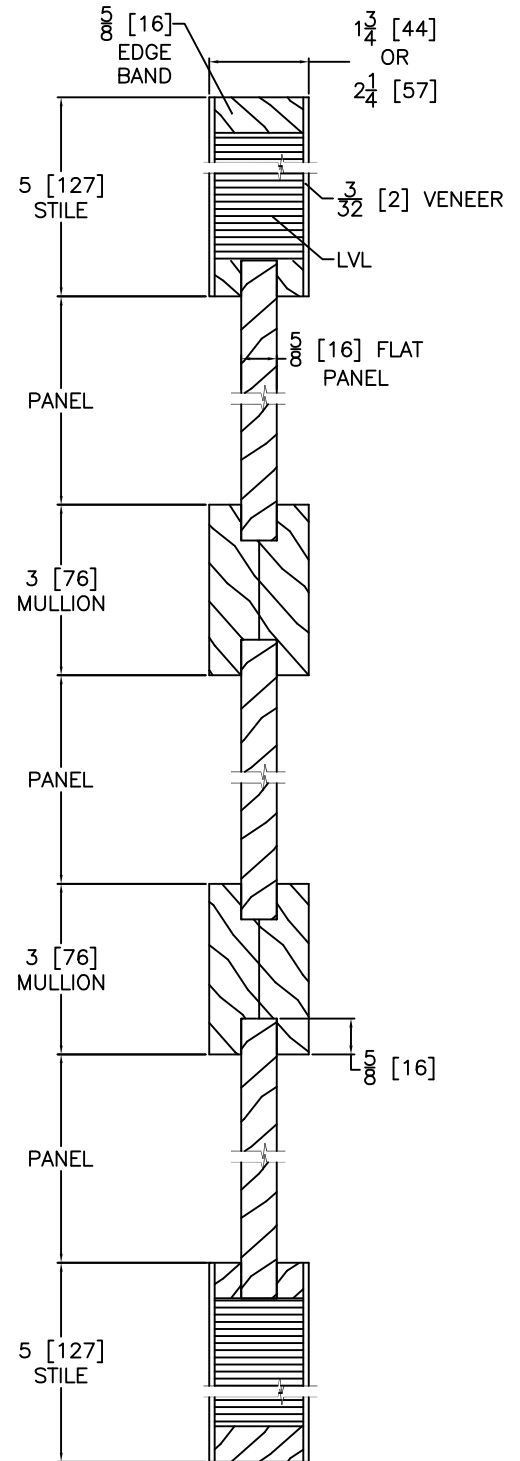


HORIZONTAL DOOR CROSS SECTION
Engineered Stile Option
(Upon Request or Doors > 3'-6" X 8'-0")

Notes:
Stile, Rail, Panel & Glass
vary by Size & Model of Door.
Typical Sizes are Shown.



VERTICAL DOOR CROSS SECTION

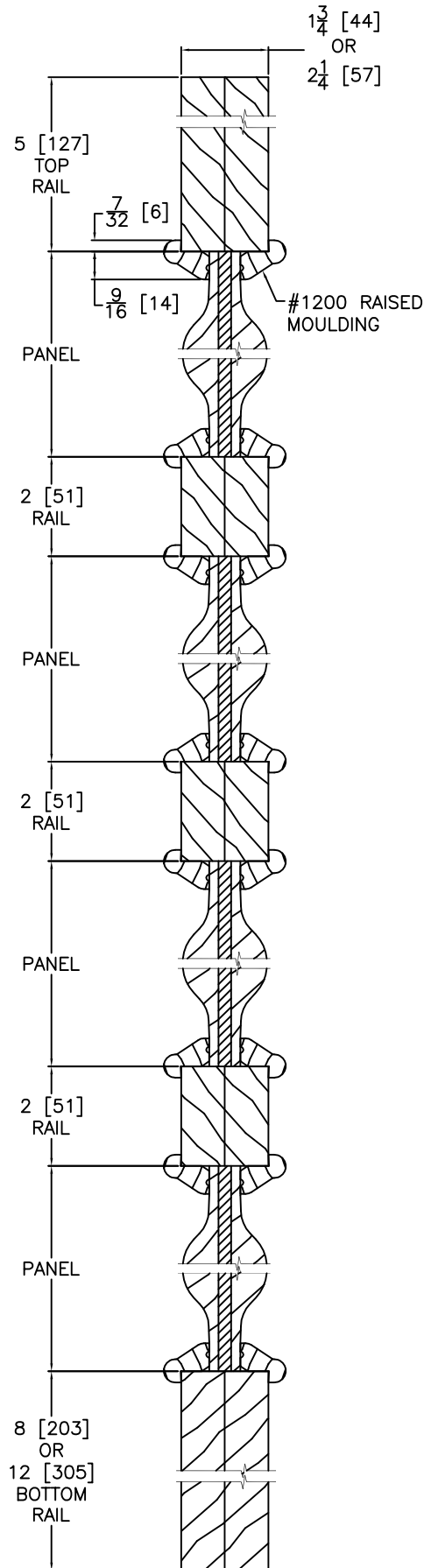
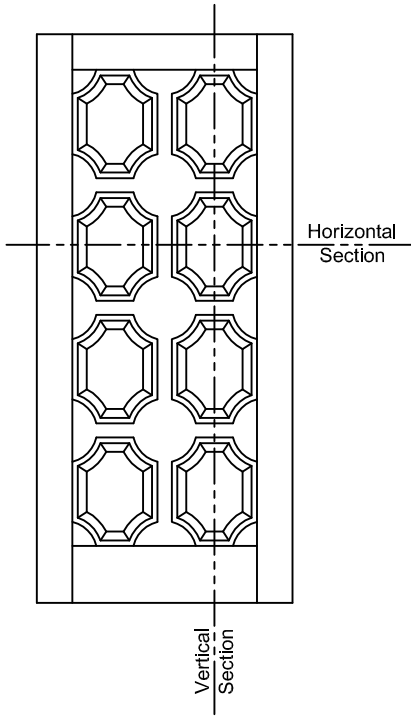


HORIZONTAL DOOR CROSS SECTION

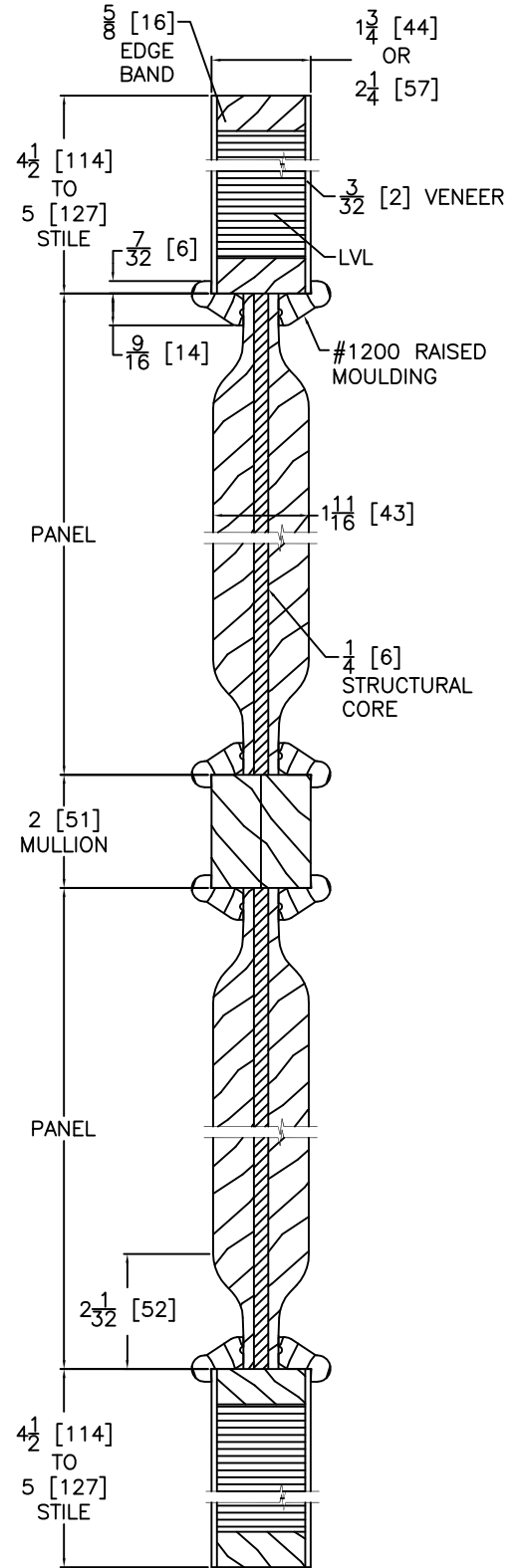
Engineered Stile Option

(Upon Request or Doors > 3'-6" X 8'-0")

Notes:
Stile, Rail, Panel & Glass
vary by Size & Model of Door.
Typical Sizes are Shown.



VERTICAL DOOR CROSS SECTION



HORIZONTAL DOOR CROSS SECTION
Engineered Stile Option
(Upon Request or Doors > 3'-6" X 8'-0")

Notes:
Stile, Rail, Panel & Glass
vary by Size & Model of Door.
Typical Sizes are Shown.