

Thank you for selecting JELD-WEN products. Thoroughly read these instructions and understand the operation of this device. Failure to properly install device may allow window to open unexpectedly allowing falls through the window. **Provide the safety and operating instructions to the homeowner and occupant after installation is complete. Contact us for additional copies if needed.**

The window opening control device is designed to limit the opening of the window, and must be installed so that objects no larger than a 4" rigid sphere will fit through the opening. This is to protect against accidental falls from an open window, but is not a substitute for traditional safety practices.

**IMPORTANT SAFETY INFORMATION**

- Train all occupants six (6) years old and older to operate the release mechanism in case of an emergency.
- The window opening control device engages automatically when the window is closed.
- Check for re-engagement of window opening control device after each release.
- Test once a month for proper operation and inspect for damage. Replace device promptly if necessary.
- Make sure the device is properly installed, engaged, and operated as specified. Do not modify the device in any way.

- Consult local building and fire codes before installing this device; contact local building code department or fire department for specific codes. Install device such that the release mechanism(s) is in conformance with local building and fire code requirements.

**⚠ WARNING**  
**Possible Fall Hazard**

- Young children may fall out of the window if this device is not installed correctly. Install the device so that a rigid 4.0-in.-diameter sphere does not pass through any space in the window opening after the device is in place.
- Young children may fall out the window if all installation instructions are not followed:
  - Use recommended materials and techniques.
  - Make sure the fall prevention device is securely attached to the window frame.
  - Make sure that the window frame is in good condition.

**INSTALLATION**

Tools required:

- Phillips screwdriver
- 3/32" drill bit and drill

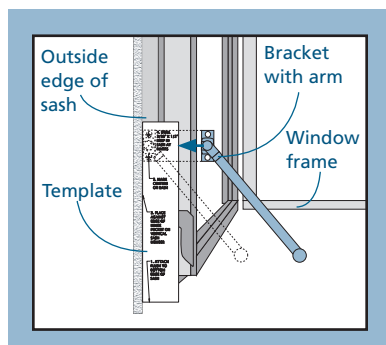
Kit includes:

- Track
- Bracket with arm
- 4 - #7 x 1/2" screws
- Installation template

Sash preparation and arm attachment:

**Caution!** The following step may require working from the outside or removing the sash. Please work safely. If removing sash, consult the casement window Product Guide at [www.jeld-wen.com/resources](http://www.jeld-wen.com/resources) for proper procedures.

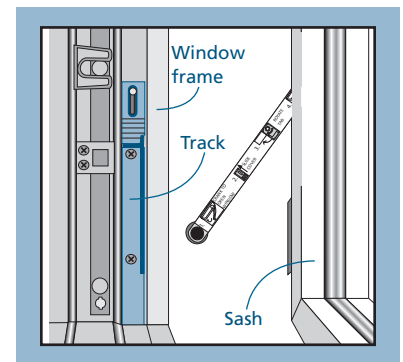
1. Open sash. Using the provided template, mark screw hole locations for the bracket on the vertical section of sash in the same location as the hinge pocket.
2. Pre-drill 3/32" screw holes 1/2" deep where marked.
3. Attach bracket in orientation shown, with two of the provided screws.



4. Be sure arm moves freely and hangs toward the inside of the window at an approximate 20° angle from vertical.

Frame preparation and track attachment:

1. Position track on vertical section of frame in the same location as the hinge pocket against the sill in the position shown. Mark track hole locations on the frame.
2. Pre-drill 3/32" screw holes 1/2" deep where marked.
3. Attach track in orientation shown, with two of the provided screws.
4. Operate window and verify device performs correctly. Immediately fix any problems.
5. Place the included label on the top of the operator housing between the crank arm and window frame or other visible location when the window is closed.



The information contained herein is provided solely for informational and/or educational purposes. JELD-WEN disclaims any and all liability associated with the use and/or provision of this information. Any reliance upon the information or advice is at the risk of the party so relying. The information contained herein may be changed from time to time without notification.