

IMPORTANT SAFETY INFORMATION

- **Installer:** Make sure proper labeling, safety information and operating instructions are available to the homeowner/occupant after installation is complete.
- The window opening control device is designed to limit the opening of the window, and must be installed so that objects no larger than a 4" rigid sphere will fit through the opening.

⚠ WARNING

- No Window Rescue Above 75 ft (6th Floor)
- Fire rescue ladder may not reach beyond 75 ft (6th floor).
- Do not rely on being rescued from windows above 75 ft (6th floor). Follow building fire escape plan.

⚠ WARNING

- Blocks escape in fire and emergency unless released.
- Need to properly operate release mechanism to open window by following the operating instructions below.
- Never apply padlocks or devices that require a key or tool to unlock them to the release mechanism and/or window opening control device.

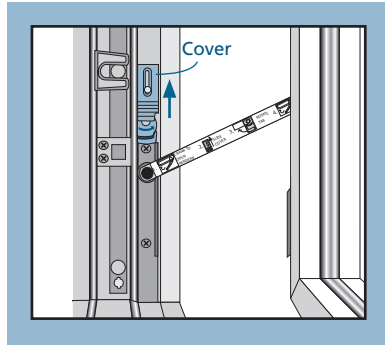
⚠ WARNING
Possible Fall Hazard

- If window opening control device is too small for the window opening, accidental window falls can result.
- Follow manufacturer's assembly and installation instructions carefully. Failure to do so may result in accidental window falls.
- This window opening control device is designed to protect against accidental window falls by children five years and younger.
- This device is not a substitute for careful supervision of all young children.
- Keep device closed securely unless needed for use in an emergency.
- Keep windows closed and locked when children are around.
- When opening windows for ventilation, open windows that children cannot reach.
- Don't rely on insect screens to prevent a fall, as they are designed to provide ventilation and not to prevent a child's fall from a window.
- Keep furniture, or anything children can climb, away from windows.
- Make sure nothing is blocking or preventing a window from being opened in the case of an emergency.

OPERATING INSTRUCTIONS

To open window and release window opening control device:

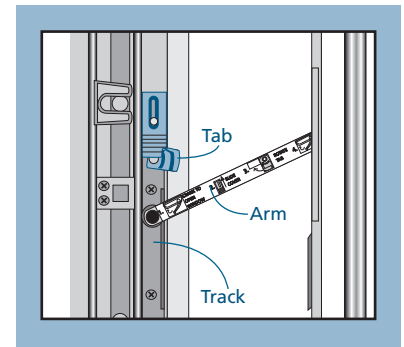
1. Unlock window and crank open to limit. Back off slightly to release pressure and ease limiter operation.
2. Slide cover up.



3. Rotate tab toward the exterior and hold. Continue to crank open window until the arm is free from the track.

To close window and reengage window opening control device:

1. Crank window all the way closed. The device will automatically reset at or near the fully closed position.
2. To check for device engagement, crank open window until device limits the window opening.



MAINTENANCE

- Test once a month for proper operation and inspect for damage. Replace device promptly if necessary.
- Train all occupants six (6) years old and older to operate the release mechanism in case of an emergency.

The information contained herein is provided solely for informational and/or educational purposes. JELD-WEN disclaims any and all liability associated with the use and/or provision of this information. Any reliance upon the information or advice is at the risk of the party so relying. The information contained herein may be changed from time to time without notification.