



Fiberglass Exterior Doors
Smooth-Pro

Sidelight Elevations
Table of Contents

SP-422 1-Panel $\frac{3}{4}$ View Sidelight (10 $\frac{1}{2}$ " Bottom Pnl)..... 2
SPA-422 1-Panel $\frac{3}{4}$ View Sidelight (16 $\frac{1}{2}$ " Bottom Pnl) ... 3
SP-690 Full View Sidelight..... 4
SP-692 1-Panel $\frac{1}{2}$ View Sidelight..... 5
SP8-493 8' Full View Sidelight 6

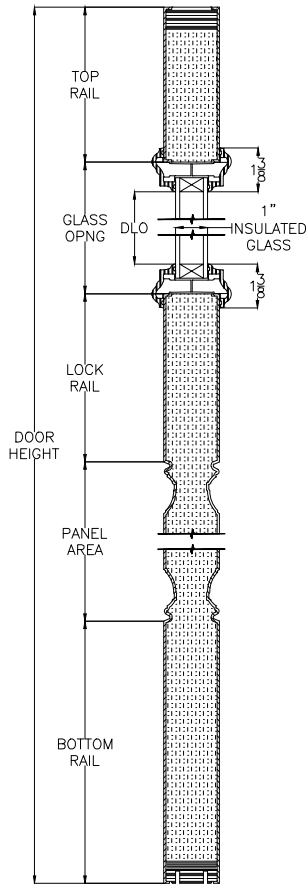
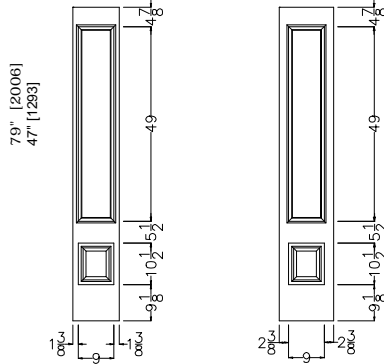


SMOOTH-PRO EXTERIOR DOORS
 SP-422
 1-PANEL 3/4 VIEW SIDELIGHTS

Sidelight Size
 Daylight Opening

11 3/4" [298]
 7" [177]

13 3/4" [349]
 7" [177]



VERTICAL CROSS SECTION

Elevation Notes: • Door Size = Book Size Before Prefit • Daylight Opening (DLO) = Visible Glass. • Values in brackets [] are in millimeters • Wood grain = Smooth

Door Cross-Section: • Moulding Profile = RGJS • Panel Profile = n/a

Scale: 1/4" = 1'-0"

JELD-WEN reserves the right to change specifications without notice.

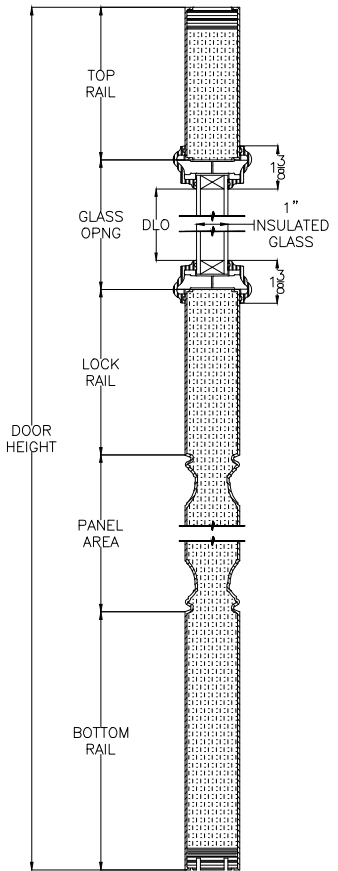
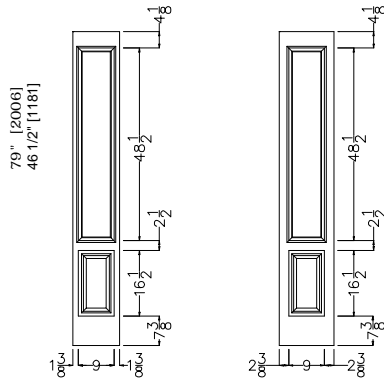


SMOOTH-PRO EXTERIOR DOORS
 SPA-422
 1-PANEL 3/4 VIEW SIDELIGHTS

Sidelight Size
 Daylight Opening

11 3/4" [298]
 7" [177]

13 3/4" [349]
 7" [177]



VERTICAL CROSS SECTION

Elevation Notes: • Door Size = Book Size Before Prefit • Daylight Opening (DLO) = Visible Glass. • **Door Cross-Section:** • Moulding Profile = RGJS • Scale: 1/4" = 1'-0"
 • Values in brackets [] are in millimeters • Wood grain = Smooth • Panel Profile = n/a

JELD-WEN reserves the right to change specifications without notice.

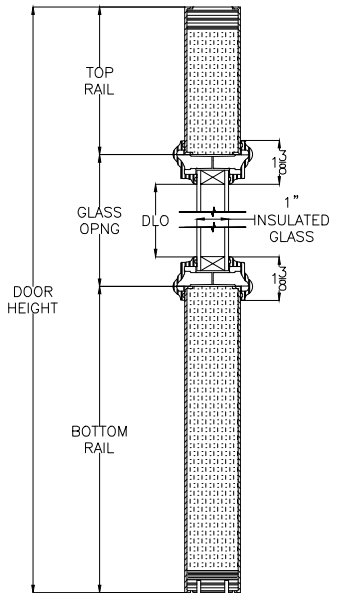
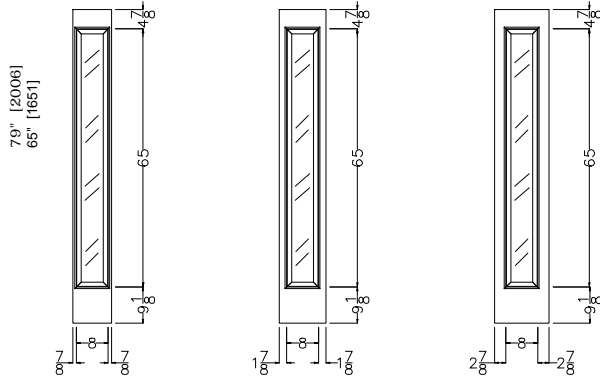
SMOOTH-PRO EXTERIOR DOORS
SP-690
FULL VIEW SIDELIGHTS

Sidelight Size
Daylight Opening

9 3/4" [247]
8" [203]

11 3/4" [298]
8" [203]

13 3/4" [349]
8" [203]



VERTICAL CROSS SECTION

Elevation Notes: • Door Size = Book Size Before Prefit • Daylight Opening (DLO) = Visible Glass. • Values in brackets [] are in millimeters • Wood grain = Smooth

Door Cross-Section: • Moulding Profile = RGJS • Panel Profile = n/a

Scale: 1/4" = 1'-0"

JELD-WEN reserves the right to change specifications without notice.



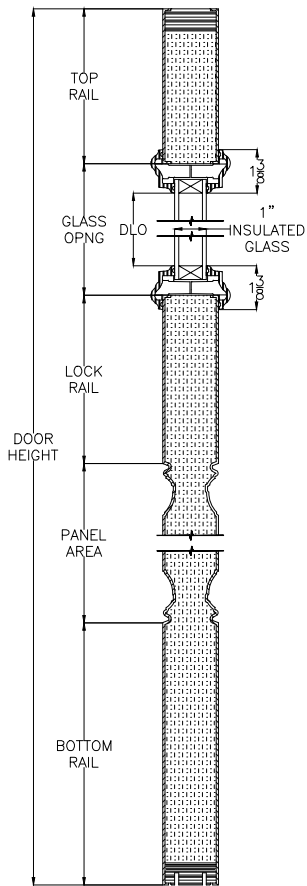
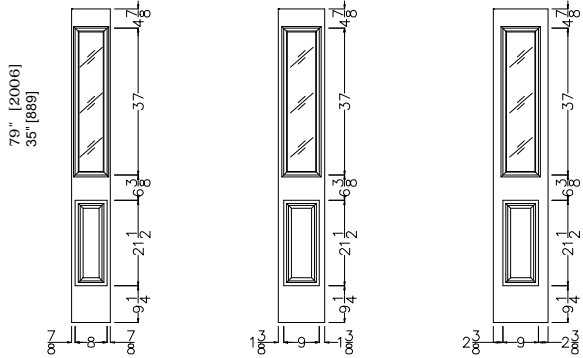
SMOOTH-PRO EXTERIOR DOORS
 SP-692
 1-PANEL 1/2 VIEW SIDELIGHTS

Sidelight Size
 Daylight Opening

9 3/4" [247]
 6" [152]

11 3/4" [298]
 7" [177]

13 3/4" [349]
 7" [177]



VERTICAL CROSS SECTION

Elevation Notes: • Door Size = Book Size Before Prefit • Daylight Opening (DLO) = Visible Glass. • Values in brackets [] are in millimeters • Wood grain = Smooth

Door Cross-Section: • Moulding Profile = RGJS • Panel Profile = n/a

Scale: 1/4" = 1'-0"

JELD-WEN reserves the right to change specifications without notice.

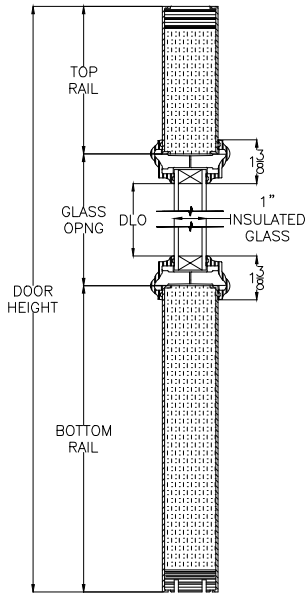
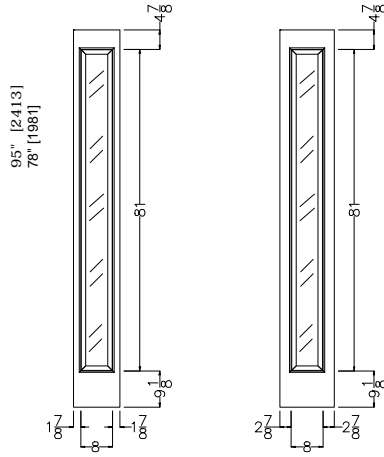


SMOOTH-PRO EXTERIOR DOORS
 SP8-493
 8' FULL VIEW SIDELIGHTS

Sidelight Size
 Daylight Opening

11 3/4" [298]
 5" [127]

13 3/4" [349]
 5" [127]



VERTICAL CROSS SECTION

Elevation Notes: • Door Size = Book Size Before Prefit • Daylight Opening (DLO) = Visible Glass. • **Door Cross-Section:** • Moulding Profile = RGJS • Scale: 1/4" = 1'-0"
 • Values in brackets [] are in millimeters • Wood grain = Smooth • Panel Profile = n/a

JELD-WEN reserves the right to change specifications without notice.