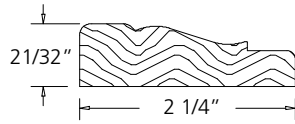

TABLE OF CONTENTS

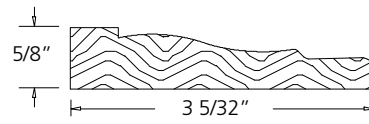
Interior Radius Casings	17-2
Primed Exterior Casing and Sill Nosing	17-3
Clad Installation Fins and Clips	17-4
Clad Mull Covers and Frame Expanders	17-5
Bow and Angle Bay Cable Support System	17-6
Clad/Primed SASHPACK Specifications	17-7
Clad/Primed SASHPACK Quick Spec Guide	17-8
Clad/Primed SASHPACK Sash Replacement Information	17-9
Clad/Primed SASHPACK Options	17-10

INTERIOR RADIUS CASINGS

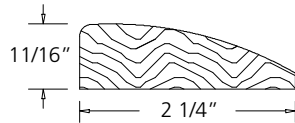
Interior radius casings shown below are available in both pine and oak for clad and primed radius units. Designer should specify pattern and wood type. Corner blocks are also available.



356 CASING



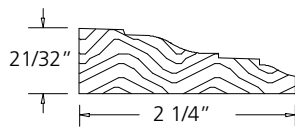
444 CASING



RANCH CASING



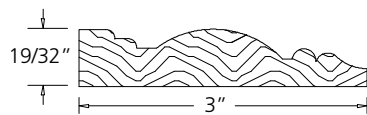
WM-445 CASING



366 CASING

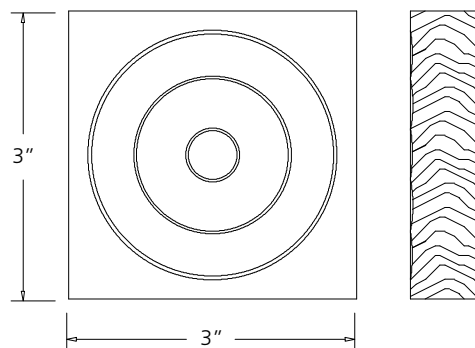


456 CASING



PF-1027 CASING

Note: 366 (Pine & Oak) are available in lineal lengths, all other casings shown are available in radius casings only.

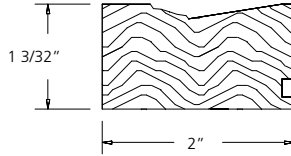


CORNER BLOCK

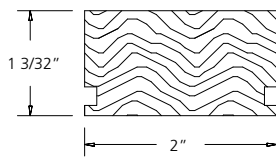
SCALE 6" = 1'

PRIMED EXTERIOR CASING AND SILL NOSING

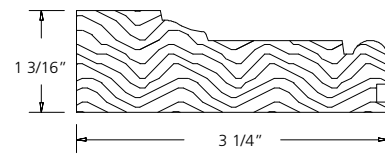
Primed exterior casings shown below are available for all primed windows and patio doors. All casings are factory-applied unless otherwise specified. Note that swing screens and sliding screens may not be applied to patio doors that have patterned casings - RB-3 or Adams.



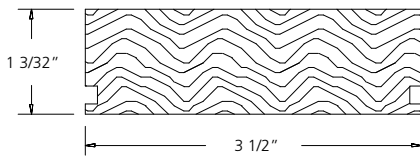
STANDARD BRICKMOULD CASING



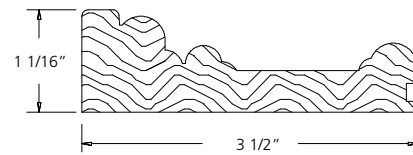
2" FLAT CASING



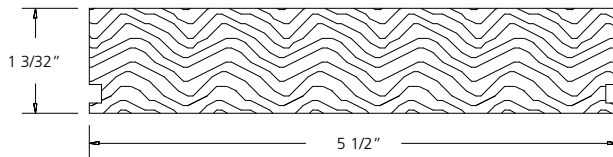
WILLIAMSBURG CASING



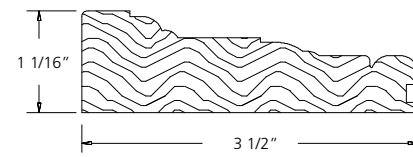
3 1/2" FLAT CASING



RB-3 CASING*

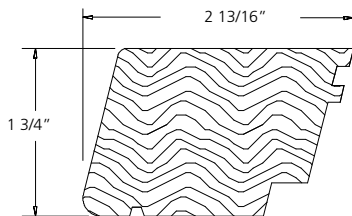


5 1/2" FLAT CASING

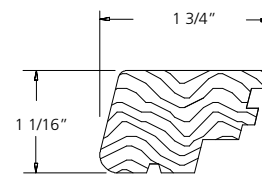


ADAMS CASING*

***Note:** Door screens not available with these casings.



HISTORICAL SILL NOSING



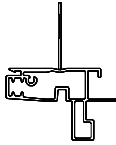
STANDARD SILL NOSING

SCALE 6" = 1'

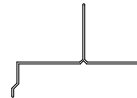
CLAD INSTALLATION FINS AND CLIPS

FINS

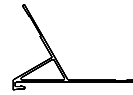
Most JELD-WEN products have an integral extruded nailing fin that is part of the frame extrusion. Some units have a factory-applied fin (half rounds), and some are shipped loose (geometrics). In addition, clad bow and bay nailing fins are available and are typically factory-applied to setup window assemblies. The extrusions have different fin angles depending on the type of unit.



STANDARD EXTRUDED FIN



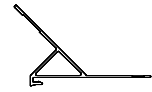
HALF ROUND DRIP CAP/NAILING FIN



30_ ANGLE BAY FIN



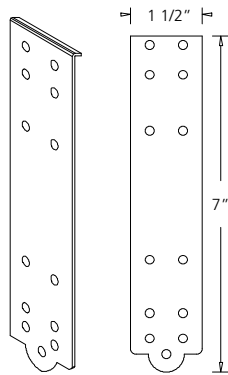
DIRECT SET FIN



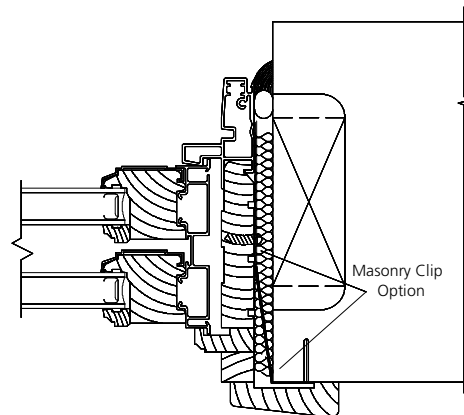
45_ ANGLE BAY FIN

CLIPS

Masonry clips are used where standard fin installation is not feasible. In these applications, designers should specify "no fins" and request masonry clips. Masonry clips are field-fastened to window jambs and secured to face edge of wood or steel framing.



MASONRY CLIP

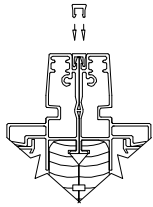


SCALE 3"=1'

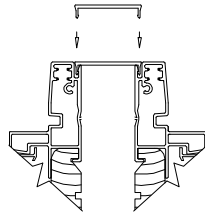
CLAD MULL COVERS AND FRAME EXPANDERS

MULL COVERS

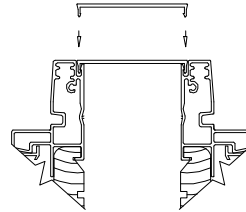
Extruded aluminum clad exterior mull covers for joining units together are available in face widths shown below. These mull covers may be factory-applied to setup units and are also available in 13' lineal lengths for field applications.



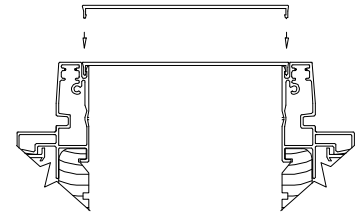
STANDARD MULL STRIP



MULL STRIP FOR 1 3/32" MULL POCKET



MULL STRIP FOR 2" MULL POCKET

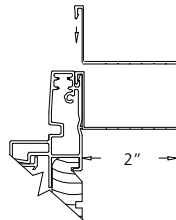
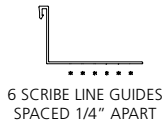


MULL STRIP FOR 4" MULL POCKET

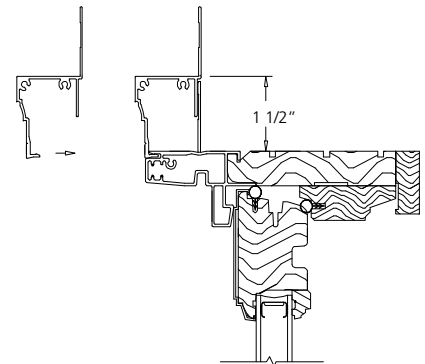
FRAME EXPANDERS

Opening extenders and frame expanders are used to extend unit size in lieu of creating a custom size window or door. They are typically field-applied in masonry applications and may be trimmed to accommodate a range of dimensions. Frame expanders may also be used for the same purpose, but are more commonly used to bridge a specific dimension that cannot otherwise be handled with standard exterior mull covers. Clad brickmould casing is also available with auxiliary sill nosing, used to provide continuity between the casing and sill.

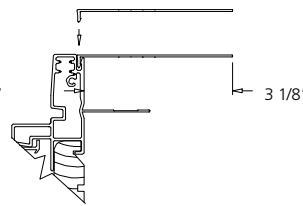
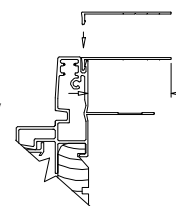
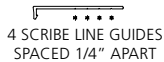
OPENING EXTENDER 2"



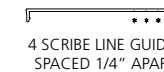
NEW FACTORY APPLIED CLAD BRICKMOULD



FRAME EXPANDER 1 7/8"



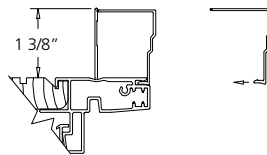
FRAME EXPANDER 3 1/4"



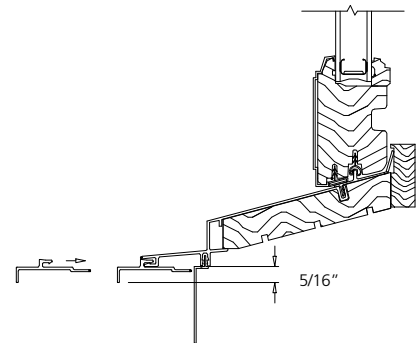
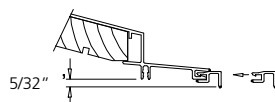
MULL EXPANDER 2 1/8"



AUXILIARY CASING



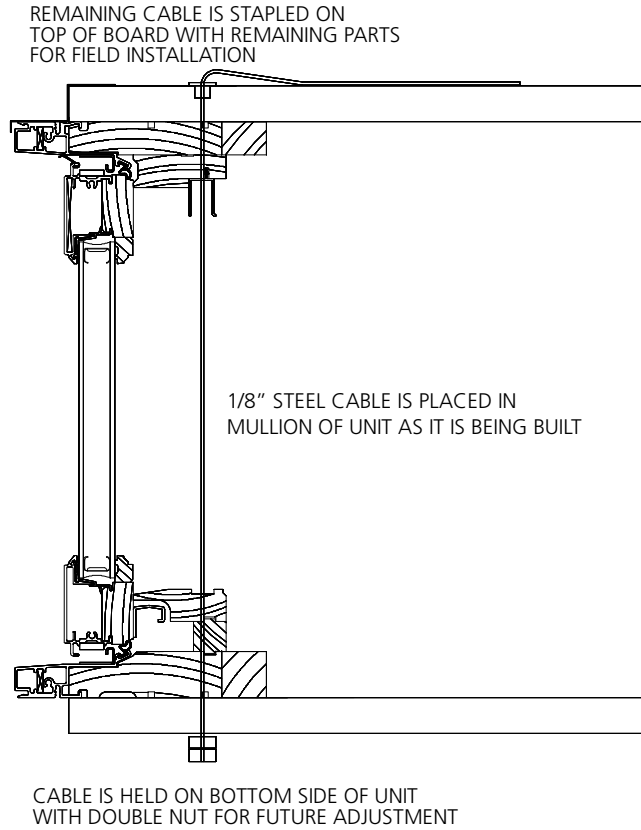
AUXILIARY SILL NOSING



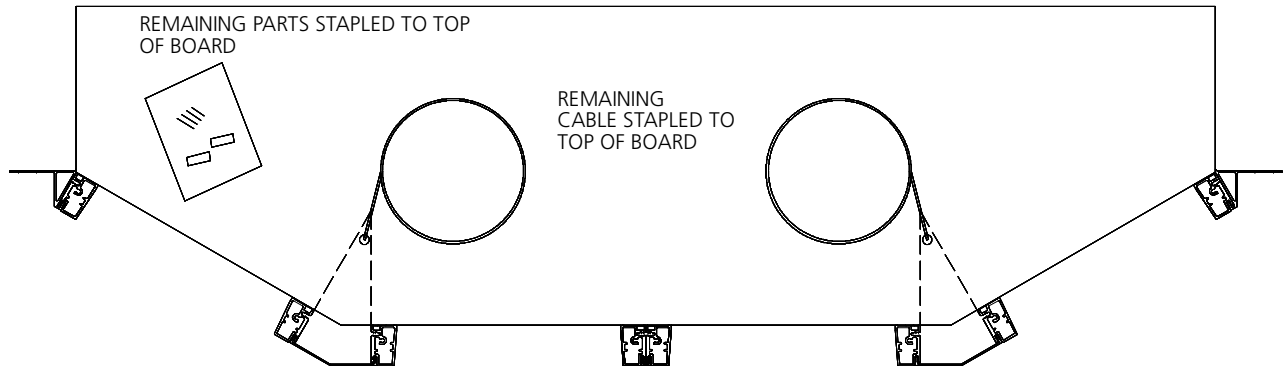
SCALE 3" = 1'

BOW AND ANGLE BAY CABLE SUPPORT SYSTEM

FACTORY INSTALLED ANGLE BAY OR BOW CABLE SUPPORT SYSTEM



TOP VIEW OF BAY UNIT



Note: Steel cable support system is recommended for all bow and angle bay installations. Designer must specify cable system prior to assembly.

PRODUCT SPECIFICATIONS - SASHPACK**PRIMED EXTERIOR FINISH**

All exterior surfaces completely covered with factory-applied latex primer. Natural (no prime) exterior available.

CLAD EXTERIOR FINISH

All exterior surfaces completely covered with low maintenance extruded aluminum coated with a thermoset polyester finish that meets or exceeds AAMA 2603 performance requirements. Standard colors include Brilliant White, Chestnut Bronze, Desert Sand, French Vanilla, Hartford Green, Mesa Red and Black.

INTERIOR FINISH

All interior surfaces are unfinished clear wood ready for paint, stain, or natural finish. Primed and pre-painted interiors are available.

PRIMED SASH EXTERIOR

Sash is 1 7/16" (36.5mm) thick, kiln dried and water repellent preservative treated softwood. Stiles and rails are joined with slot and tenon corners secured with metal fasteners. Sash operate in a compressible ivory colored jamb liner that allows both top and bottom to tilt inside for easy cleaning and to be fully removed without the use of tools.

CLAD SASH EXTERIOR

Sash is 1 7/16" (36.5mm) thick, kiln dried and water repellent preservative treated softwood, and covered with .040" (1mm) extruded aluminum. Stiles and rails are joined with slot and tenon corners, machine clamped for squareness, and secured with metal fasteners. Exterior surfaces are completely covered with extruded aluminum and corners are cope jointed and sealed with silicone. Both sash tilt in for easy cleaning and are also removable from the inside.

HEAD FILLER SYSTEM

Head jamb filler strip 3/8" (9.5mm) x 3 5/16" (84.2mm) and head parting stop 1 1/16" (17.5mm) x 2" (50.8mm) are supplied to cover the old head jamb and act as a triple weatherstrip system.

GLAZING

3/4" (19mm) insulated glass is constructed of two lites of float glass hermetically sealed around a continuous roll formed "U" shaped open steel warm edge Intercept® spacer with a specially designed hot applied butyl sealant. The insulated glass sandwich features a 9/16" (14.3mm) captive air space with a continuous desiccant matrix applied to the spacer during the fabrication process. To provide and protect long-term structural integrity of this glazing system, a computer controlled application of durable clear silicone is used to bed the exterior of the insulated glass into the sash. An acrylic sealant is used to bed the interior. Insulated glass is manufactured to comply with performance requirements of IGCC (Level CBA), ASTM E773, and E774.

Intercept® is a PPG registered Process.

GLAZING OPTIONS

Single pane, 3/4" insulated glass, 3/4" Low E² insulated glass with Argon (except when breather tubes are used), environmentally tinted grey or bronze 3/4" insulated or Low E² glass, 3/4" tempered insulated or Low E², obscure insulated or Low E², and other insulated specialty glazings per specification (safety laminated, sound deadening). Simulated Divided Lite (SDL) also available with same glazing options, except obscure. SDL has primed wood muntin bars (wood sash) or clad extruded aluminum muntin bars (clad sash) 7/8" (22mm) wide or 1 3/8" (34.9 mm) wide applied to the exterior glass surface. Interior bars are unfinished clear wood applied to the interior surface. SDL features internal shadow bars to complement the aesthetics and give a true divided lite appearance.

WEATHERSTRIPPING

Engineered system combines polyvinyl chloride ivory jamb liner with dual bulb weatherstripping at both head and sill. Checkrail features thermal plastic bulb weatherstrip.

HARDWARE

Sash operate by means of a dual block and tackle balance system with nylon roller pulleys and high tension coil springs. Balance system gauged to sash weight and uses pre-stretched dacron cords attached to clutch mechanisms to insure smooth, trouble free operation and compliance with operating force requirements. Recessed cam action sashlock is available in brown, white, sandstone, and bright brass.

REMOVABLE WOOD GRILLES

Rectangular unfinished wood grilles 7/8" (22mm) wide x 3/8" (9.5mm) thick end coped to meet profiled sash edge. Colonial lite patterns are standard with custom lite cuts available.

AIRSPACE GRILLES

Airspace grilles 5/8" (15.9mm) wide x 3/16" (4.8mm) thick mounted between the glass and available in White, Brown, Sandstone, Hartford Green, Vanilla Cream, Burgundy, and Black. Grilles are suspended in the air cavity and do not contact the glass surface.

EXTERIOR INSECT SCREENS

Charcoal fiberglass screen cloth (18 x 16 mesh) with white, brown, bronze, Sandstone, Hartford Green, Vanilla Cream, Burgundy, or Black aluminum frame (.019ga). Screen frame installed in edge rabbet on exterior casing and secured with spring loaded plungers at the top and sides of screen. Insect screens are intended to allow air and light in and to keep insects out. They are not intended to stop anyone or anything from falling through an open window. For safety screens or other security devices contact your local building supply retailer.

COMBINATION STORM/SCREEN

Combination storm and screen unit is extruded aluminum with twin storm panels fit in a double track that allows operation of bottom glass panel for ventilation through insect screen. Aluminum frame storm panel and insect screen are removable from inside for easy cleaning. Available in Polar White, Earthtone Brown, Sandstone Beige, Hartford Green, and Vanilla Cream.

INSTALLATION

SASHPACK comes with full step-by-step instructions packaged with each kit. Required tools are a hammer, flat head screwdriver, putty knife or flat bar, pliers and a nail set.

MEASURING INSTRUCTIONS

See page 17-9 for SASHPACK measuring instructions. See page 17-10 for Screen and Combination Storm/Screen measuring instructions.

Note: Standard modular sash openings are 4" wider than the glass width and 6" taller than 2 times the glass height.

QUICK SPEC GUIDE - SASHPACK

SPECIFICATION	STANDARD FEATURES	OPTIONAL FEATURES <i>Some options may require additional lead times. Consult your JELD-WEN Sales Representative.</i>
EXTERIOR FINISH	<ul style="list-style-type: none"> • Acrylic Latex Primed Aluminum Clad • Brilliant White • Chestnut Bronze • Desert Sand • French Vanilla • Mesa Red • Hartford Green • Black 	
INTERIOR FINISH	<ul style="list-style-type: none"> • Natural Wood 	<ul style="list-style-type: none"> • Factory Primed • Pre-finished Interiors, see page NO TAG (4 Paint, 4 Stain, or Clear Lacquer)
SIZE (based on sash opening)	<ul style="list-style-type: none"> • Width: 1-8, 2-0, 2-4, 2-6, 2-8, 3-0, 3-4, 3-8 • Height: 2-6, 2-10, 3-2, 3-6, 3-10, 4-2, 4-6, 4-10, 5-2, 5-6, 5-10, 6-2, 6-6 	<ul style="list-style-type: none"> • Any Sash Opening Width: 14" to 44" • Any Sash Opening Height: 26" to 78"
GLAZING	<ul style="list-style-type: none"> • 7/8" wood - Full surround • 5/8" Metal Airspace • 5/8" Metal Airspace Contour • 5/8" Brass Airspace • 5/8" 2-Tone Contour • 5/16" Brass Airspace 	<ul style="list-style-type: none"> • Bronze Tint Insulated • Grey Tint Insulated • Obscure Insulated • Tempered Insulated Low E² • Bronze Tint Insulated Low E² • Grey Tint Insulated Low E² • Obscure Insulated Low E² <p>(Above available in SDL, except obscure)</p>
INSECT SCREENS (applied to exterior)	<ul style="list-style-type: none"> • White, Brown, Bronze, Sandstone, Hartford Green, Vanilla Cream, Burgundy, or Black frame with charcoal fiberglass mesh available 	<ul style="list-style-type: none"> • Metal aluminum mesh available
GRILLES		<ul style="list-style-type: none"> • Other bar widths may be available • Custom lite cuts available
HARDWARE	<ul style="list-style-type: none"> • Brown, White or Sandstone 	<ul style="list-style-type: none"> • Bright Brass
JAMBLINER	<ul style="list-style-type: none"> • Ivory (standard) • White 	<ul style="list-style-type: none"> • Minimum: 4-9/16" • Maximum: 9-5/16" (one piece) • Maximum: 12" (two piece)

For Greater Detail, Please see Specifications and CSI Format

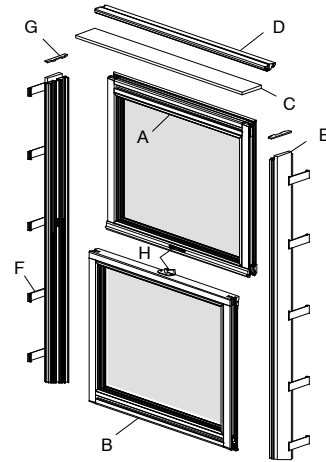
SASHPACK REPLACEMENT INFORMATION

With SASHPACK you replace only the sash and save the time and expense of replacing the frame and trim. JELD-WEN's SASHPACK features energy efficient wood tilt double hung sash, dual block and tackle hardware for fingertip sash control, and unique head filler/weatherstripping system.

- A (1) Top Sash with Weatherstrip
- B (1) Bottom Sash with Weatherstrip
- C Pine Head Filler with Weatherstrip Flange
- D Wood Head Parting Stop
- E (1 pair) Vinyl Jambliners with Balance Hardware
- F Metal Jambliner Brackets with Nails
- G (2) Jambliner Head Gaskets
- H Sashlock - Installed (brown standard)

Options include:

- Choice of Primed or aluminum Clad exterior
- White or Sandstone sashlock
- Argon gas filled Low E² Insulated
- Simulated Divided Lites (SDL) in both Clad and Prime

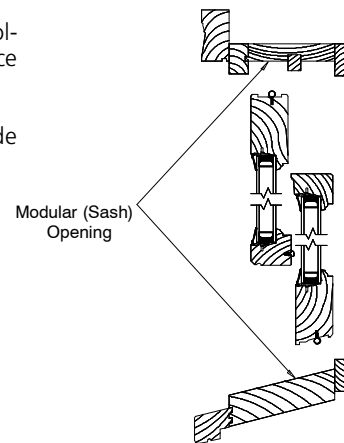


SASHPACK MEASURING INSTRUCTIONS

IMPORTANT! Before ordering your SASHPACK, carefully measure the existing window frame following the two easy steps below. You will need the resulting **Modular (Sash) Opening** to place your order.

STEP 1 Measure the inside width of the frame of your old window from inside jamb to inside jamb (wood to wood).

STEP 2 Measure the opening height. If you find a wood block below the window's top sash, remove it. Then, lower the top sash a few inches and "thread" your tape between the sash. Carefully measure the window height from the point the top sash meets the head jamb to the point where the exterior of the bottom sash meets the sill.



GENERAL GUIDELINES

- Specify to nearest 1/8" sash opening - width and height.
- Sash opening up to 1/4" wider than standard may use standard width - up to 1/8" shim may be used behind each clip.
- Sash opening narrower than standard must be custom.
- Standard sill pitch of sash is 14°. Other sill pitches are not available.
- If one dimension is standard (not custom), please state "STD Width" or "STD Height" on your order.

SIZE LIMITATIONS

- Minimum Sash Opening width: 1'-2" (10" glass)
 - Maximum Sash Opening width: 3'-8" (STD 40" glass)
 - Minimum Sash Opening height: 2'-2" (10"/10" glass)
 - Maximum sash opening height: 6'-6" (STD 36"/36" glass)
- Glass cannot exceed 36" high.

SASHPACK SCREEN INFORMATION

- Due to variations in manufacture and installation, screen openings on older window units may differ considerably from what we consider "stock".
- "Stock" screen sizes provided are for current JELD-WEN Double Hung product.
- Always field verify **each** screen opening before ordering stock or custom screens.
- Retrofit use of "stock" screens may require drilling holes into head and side casing to accommodate our plunger system.

Ordering Information

Stock Screen: Callout by glass size as listed.

Custom Screen: Callout exact width and height of screen required.

i.e: Custom Double Hung Sashpack screen: 21" x 46 1/2".

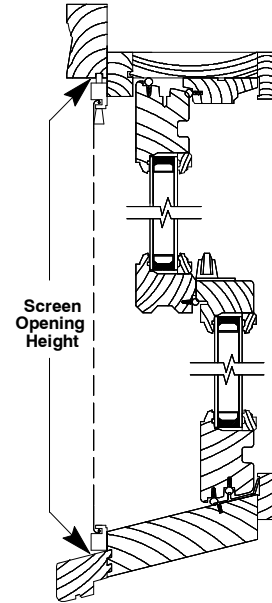
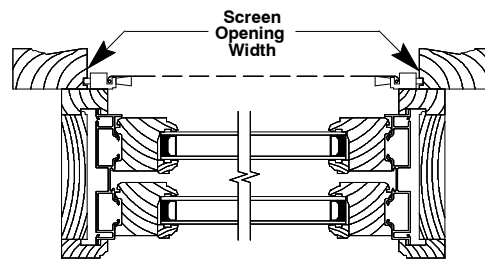
Measuring Information

Screen mounting location will vary from unit to unit. A typical screen opening is shown.

Screen Size

Opening width - 1/16"

Opening height - 3/32"



Sashpack Combination Storm/Screen Information

- Due to variations in manufacture and installation, combination openings on older window units may differ considerably from what we consider "stock".
- "Stock" combination sizes provided are for current JELD-WEN Double Hung product.
- Always field verify **each** combination opening before ordering stock or custom combinations.
- Combination Storm/Screens are extruded aluminum in Polar White, Earthtone Brown, Sandstone Beige, Hartford Green, and Vanilla Cream.

Ordering Information

Stock Combination: Callout by glass size as listed.

Custom Combination: Callout exact width and height of combination required.

i.e: Custom Double Hung Sashpack combination: 21" x 46 1/2".

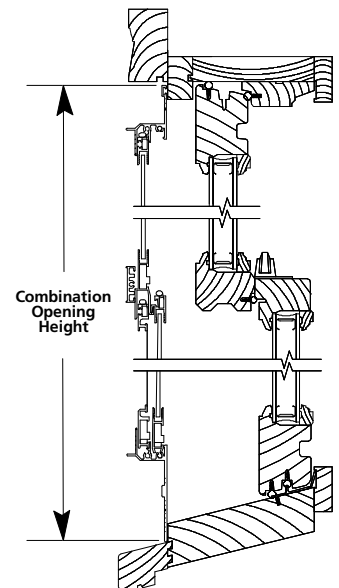
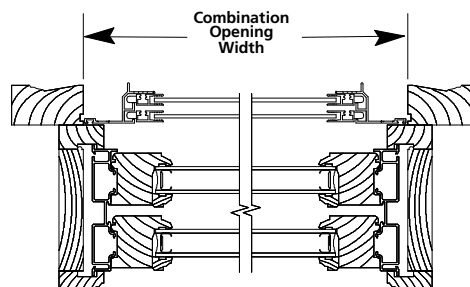
Measuring Information

Combination mounting location will vary from unit to unit. A typical combination opening is shown.

Combination Size

Opening width - 1/8"

Opening height - 1/8"



DIMENSIONS

GLASS			SASH OPENING			STANDARD SCREEN			STANDARD COMBINATION STORM / SCREEN			STANDARD GRILLE PATTERN
WIDTH		HEIGHT	WIDTH		HEIGHT	WIDTH		HEIGHT	WIDTH		HEIGHT	
16	x	14	1-8	x	2-10	19 15/16	x	34 23/32	19 7/8	x	34 21/32	2W2H
16	x	16	1-8	x	3-2	19 15/16	x	38 23/32	19 7/8	x	38 21/32	2W2H
16	x	18	1-8	x	3-6	19 15/16	x	42 23/32	19 7/8	x	42 21/32	2W2H
16	x	20	1-8	x	3-10	19 15/16	x	46 23/32	19 7/8	x	46 21/32	2W2H
16	x	22	1-8	x	4-2	19 15/16	x	50 23/32	19 7/8	x	50 21/32	2W2H
16	x	24	1-8	x	4-6	19 15/16	x	54 23/32	19 7/8	x	54 21/32	2W2H
16	x	26	1-8	x	4-10	19 15/16	x	58 23/32	19 7/8	x	58 21/32	2W2H
16	x	28	1-8	x	5-2	19 15/16	x	62 23/32	19 7/8	x	62 21/32	2W2H
16	x	30	1-8	x	5-6	19 15/16	x	66 23/32	19 7/8	x	66 21/32	2W2H
16	x	32	1-8	x	5-10	19 15/16	x	70 23/32	19 7/8	x	70 21/32	2W3H
16	x	34	1-8	x	6-2	19 15/16	x	74 23/32	19 7/8	x	74 21/32	2W3H
16	x	36	1-8	x	6-6	19 15/16	x	78 23/32	19 7/8	x	78 21/32	2W3H
16	x	24/36	1-8	x	5-6	19 15/16	x	66 23/32	19 7/8	x	66 21/32	2W2H/3H
20	x	14	2-0	x	2-10	23 15/16	x	34 23/32	23 7/8	x	34 21/32	3W2H
20	x	16	2-0	x	3-2	23 15/16	x	38 23/32	23 7/8	x	38 21/32	3W2H
20	x	18	2-0	x	3-6	23 15/16	x	42 23/32	23 7/8	x	42 21/32	3W2H
20	x	20	2-0	x	3-10	23 15/16	x	46 23/32	23 7/8	x	46 21/32	3W2H
20	x	22	2-0	x	4-2	23 15/16	x	50 23/32	23 7/8	x	50 21/32	3W2H
20	x	24	2-0	x	4-6	23 15/16	x	54 23/32	23 7/8	x	54 21/32	3W2H
20	x	26	2-0	x	4-10	23 15/16	x	58 23/32	23 7/8	x	58 21/32	3W2H
20	x	28	2-0	x	5-2	23 15/16	x	62 23/32	23 7/8	x	62 21/32	3W2H
20	x	30	2-0	x	5-6	23 15/16	x	66 23/32	23 7/8	x	66 21/32	3W2H
20	x	32	2-0	x	5-10	23 15/16	x	70 23/32	23 7/8	x	70 21/32	3W3H
20	x	34	2-0	x	6-2	23 15/16	x	74 23/32	23 7/8	x	74 21/32	3W3H
20	x	36	2-0	x	6-6	23 15/16	x	78 23/32	23 7/8	x	78 21/32	3W3H
20	x	24/36	2-0	x	5-6	23 15/16	x	66 23/32	23 7/8	x	66 21/32	3W2H/3H
24	x	14	2-4	x	2-10	27 15/16	x	34 23/32	27 7/8	x	34 21/32	3W2H
24	x	16	2-4	x	3-2	27 15/16	x	38 23/32	27 7/8	x	38 21/32	3W2H
24	x	18	2-4	x	3-6	27 15/16	x	42 23/32	27 7/8	x	42 21/32	3W2H
24	x	20	2-4	x	3-10	27 15/16	x	46 23/32	27 7/8	x	46 21/32	3W2H
24	x	22	2-4	x	4-2	27 15/16	x	50 23/32	27 7/8	x	50 21/32	3W2H
24	x	24	2-4	x	4-6	27 15/16	x	54 23/32	27 7/8	x	54 21/32	3W2H
24	x	26	2-4	x	4-10	27 15/16	x	58 23/32	27 7/8	x	58 21/32	3W2H
24	x	28	2-4	x	5-2	27 15/16	x	62 23/32	27 7/8	x	62 21/32	3W2H
24	x	30	2-4	x	5-6	27 15/16	x	66 23/32	27 7/8	x	66 21/32	3W2H
24	x	32	2-4	x	5-10	27 15/16	x	70 23/32	27 7/8	x	70 21/32	3W3H
24	x	34	2-4	x	6-2	27 15/16	x	74 23/32	27 7/8	x	74 21/32	3W3H
24	x	36	2-4	x	6-6	27 15/16	x	78 23/32	27 7/8	x	78 21/32	3W3H
24	x	24/36	2-4	x	5-6	27 15/16	x	66 23/32	27 7/8	x	66 21/32	3W2H/3H
26	x	14	2-6	x	2-10	29 15/16	x	34 23/32	29 7/8	x	34 21/32	3W2H
26	x	16	2-6	x	3-2	29 15/16	x	38 23/32	29 7/8	x	38 21/32	3W2H
26	x	18	2-6	x	3-6	29 15/16	x	42 23/32	29 7/8	x	42 21/32	3W2H
26	x	20	2-6	x	3-10	29 15/16	x	46 23/32	29 7/8	x	46 21/32	3W2H
26	x	22	2-6	x	4-2	29 15/16	x	50 23/32	29 7/8	x	50 21/32	3W2H
26	x	24	2-6	x	4-6	29 15/16	x	54 23/32	29 7/8	x	54 21/32	3W2H
26	x	26	2-6	x	4-10	29 15/16	x	58 23/32	29 7/8	x	58 21/32	3W2H
26	x	28	2-6	x	5-2	29 15/16	x	62 23/32	29 7/8	x	62 21/32	3W2H
26	x	30	2-6	x	5-6	29 15/16	x	66 23/32	29 7/8	x	66 21/32	3W2H
26	x	32	2-6	x	5-10	29 15/16	x	70 23/32	29 7/8	x	70 21/32	3W3H
26	x	34	2-6	x	6-2	29 15/16	x	74 23/32	29 7/8	x	74 21/32	3W3H
26	x	36	2-6	x	6-6	29 15/16	x	78 23/32	29 7/8	x	78 21/32	3W3H
26	x	24/36	2-6	x	5-6	29 15/16	x	66 23/32	29 7/8	x	66 21/32	3W2H/3H

Continued on next page

DIMENSIONS

Continued from previous page

GLASS			SASH OPENING			STANDARD SCREEN			STANDARD COMBINATION STORM / SCREEN			STANDARD GRILLE PATTERN
WIDTH		HEIGHT	WIDTH		HEIGHT	WIDTH		HEIGHT	WIDTH		HEIGHT	
28	x	14	2-8	x	2-10	31 15/16	x	34 23/32	31 7/8	x	34 21/32	3W2H
28	x	16	2-8	x	3-2	31 15/16	x	38 23/32	31 7/8	x	38 21/32	3W2H
28	x	18	2-8	x	3-6	31 15/16	x	42 23/32	31 7/8	x	42 21/32	3W2H
28	x	20	2-8	x	3-10	31 15/16	x	46 23/32	31 7/8	x	46 21/32	3W2H
28	x	22	2-8	x	4-2	31 15/16	x	50 23/32	31 7/8	x	50 21/32	3W2H
28	x	24	2-8	x	4-6	31 15/16	x	54 23/32	31 7/8	x	54 21/32	3W2H
28	x	26	2-8	x	4-10	31 15/16	x	58 23/32	31 7/8	x	58 21/32	3W2H
28	x	28	2-8	x	5-2	31 15/16	x	62 23/32	31 7/8	x	62 21/32	3W2H
28	x	30	2-8	x	5-6	31 15/16	x	66 23/32	31 7/8	x	66 21/32	3W2H
28	x	32	2-8	x	5-10	31 15/16	x	70 23/32	31 7/8	x	70 21/32	3W3H
28	x	34	2-8	x	6-2	31 15/16	x	74 23/32	31 7/8	x	74 21/32	3W3H
28	x	36	2-8	x	6-6	31 15/16	x	78 23/32	31 7/8	x	78 21/32	3W3H
28	x	24/36	2-8	x	5-6	31 15/16	x	66 23/32	31 7/8	x	66 21/32	3W2H/3H
32	x	14	3-0	x	2-10	35 15/16	x	34 23/32	35 7/8	x	34 21/32	3W2H
32	x	16	3-0	x	3-2	35 15/16	x	38 23/32	35 7/8	x	38 21/32	3W2H
32	x	18	3-0	x	3-6	35 15/16	x	42 23/32	35 7/8	x	42 21/32	3W2H
32	x	20	3-0	x	3-10	35 15/16	x	46 23/32	35 7/8	x	46 21/32	3W2H
32	x	22	3-0	x	4-2	35 15/16	x	50 23/32	35 7/8	x	50 21/32	3W2H
32	x	24	3-0	x	4-6	35 15/16	x	54 23/32	35 7/8	x	54 21/32	3W2H
32	x	26	3-0	x	4-10	35 15/16	x	58 23/32	35 7/8	x	58 21/32	3W2H
32	x	28	3-0	x	5-2	35 15/16	x	62 23/32	35 7/8	x	62 21/32	3W2H
32	x	30	3-0	x	5-6	35 15/16	x	66 23/32	35 7/8	x	66 21/32	3W2H
32	x	32	3-0	x	5-10	35 15/16	x	70 23/32	35 7/8	x	70 21/32	3W3H
32	x	34	3-0	x	6-2	35 15/16	x	74 23/32	35 7/8	x	74 21/32	3W3H
32	x	36	3-0	x	6-6	35 15/16	x	78 23/32	35 7/8	x	78 21/32	3W3H
32	x	24/36	3-0	x	5-6	35 15/16	x	66 23/32	35 7/8	x	66 21/32	3W2H/3H
36	x	14	3-4	x	2-10	39 15/16	x	34 23/32	39 7/8	x	34 21/32	4W2H
36	x	16	3-4	x	3-2	39 15/16	x	38 23/32	39 7/8	x	38 21/32	4W2H
36	x	18	3-4	x	3-6	39 15/16	x	42 23/32	39 7/8	x	42 21/32	4W2H
36	x	20	3-4	x	3-10	39 15/16	x	46 23/32	39 7/8	x	46 21/32	4W2H
36	x	22	3-4	x	4-2	39 15/16	x	50 23/32	39 7/8	x	50 21/32	4W2H
36	x	24	3-4	x	4-6	39 15/16	x	54 23/32	39 7/8	x	54 21/32	4W2H
36	x	26	3-4	x	4-10	39 15/16	x	58 23/32	39 7/8	x	58 21/32	4W2H
36	x	28	3-4	x	5-2	39 15/16	x	62 23/32	39 7/8	x	62 21/32	4W2H
36	x	30	3-4	x	5-6	39 15/16	x	66 23/32	39 7/8	x	66 21/32	4W2H
36	x	32	3-4	x	5-10	39 15/16	x	70 23/32	39 7/8	x	70 21/32	4W3H
36	x	34	3-4	x	6-2	39 15/16	x	74 23/32	39 7/8	x	74 21/32	4W3H
36	x	36	3-4	x	6-6	39 15/16	x	78 23/32	39 7/8	x	78 21/32	4W3H
36	x	24/36	3-4	x	5-6	39 15/16	x	66 23/32	39 7/8	x	66 21/32	4W2H/3H
40	x	14	3-8	x	2-10	43 15/16	x	34 23/32	43 7/8	x	34 21/32	4W2H
40	x	16	3-8	x	3-2	43 15/16	x	38 23/32	43 7/8	x	38 21/32	4W2H
40	x	18	3-8	x	3-6	43 15/16	x	42 23/32	43 7/8	x	42 21/32	4W2H
40	x	20	3-8	x	3-10	43 15/16	x	46 23/32	43 7/8	x	46 21/32	4W2H
40	x	22	3-8	x	4-2	43 15/16	x	50 23/32	43 7/8	x	50 21/32	4W2H
40	x	24	3-8	x	4-6	43 15/16	x	54 23/32	43 7/8	x	54 21/32	4W2H
40	x	26	3-8	x	4-10	43 15/16	x	58 23/32	43 7/8	x	58 21/32	4W2H
40	x	28	3-8	x	5-2	43 15/16	x	62 23/32	43 7/8	x	62 21/32	4W2H
40	x	30	3-8	x	5-6	43 15/16	x	66 23/32	43 7/8	x	66 21/32	4W2H
40	x	32	3-8	x	5-10	43 15/16	x	70 23/32	43 7/8	x	70 21/32	4W3H
40	x	34	3-8	x	6-2	43 15/16	x	74 23/32	43 7/8	x	74 21/32	4W3H
40	x	36	3-8	x	6-6	43 15/16	x	78 23/32	43 7/8	x	78 21/32	4W3H
40	x	24/36	3-8	x	5-6	43 15/16	x	66 23/32	43 7/8	x	66 21/32	4W2H/3H