



Premium Atlantic Aluminum
Single Hung

Table of Contents

Sections..... 2-13

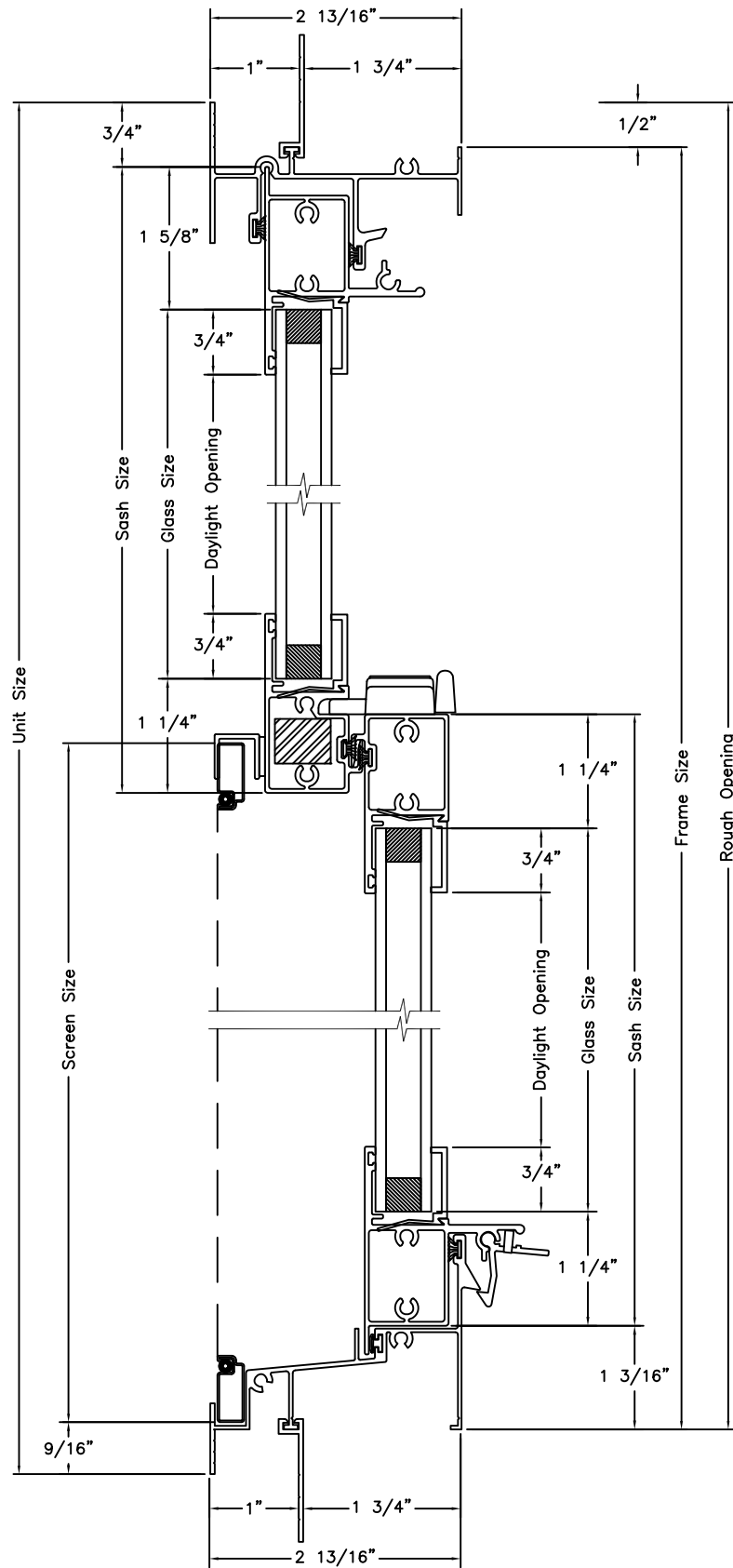
- Slip on Nail Fin Vertical Section 2
- Slip on Nail Fin Horizontal Section..... 3
- Flange Frame Vertical Section..... 4
- Flange Frame Horizontal Section 5
- Slip on Nail Fin Single Pane Vertical Section 6
- Slip on Nail Fin Single Pane Horizontal Section..... 7
- Flange Frame Single Pane Vertical Section..... 8
- Flange Frame Single Pane Horizontal Section 9
- Slip on Nail Fin Impact Vertical Section 10
- Slip on Nail Fin Impact Horizontal Section..... 11
- Flange Frame Impact Vertical Section..... 12
- Flange Frame Impact Horizontal Section 13

Elevations 14-16

- Single Unit..... 14
- Single Unit Florida..... 16

PREMIUM ATLANTIC ALUMINUM
SINGLE HUNG WINDOW
SLIP ON NAIL FIN VERTICAL SECTION

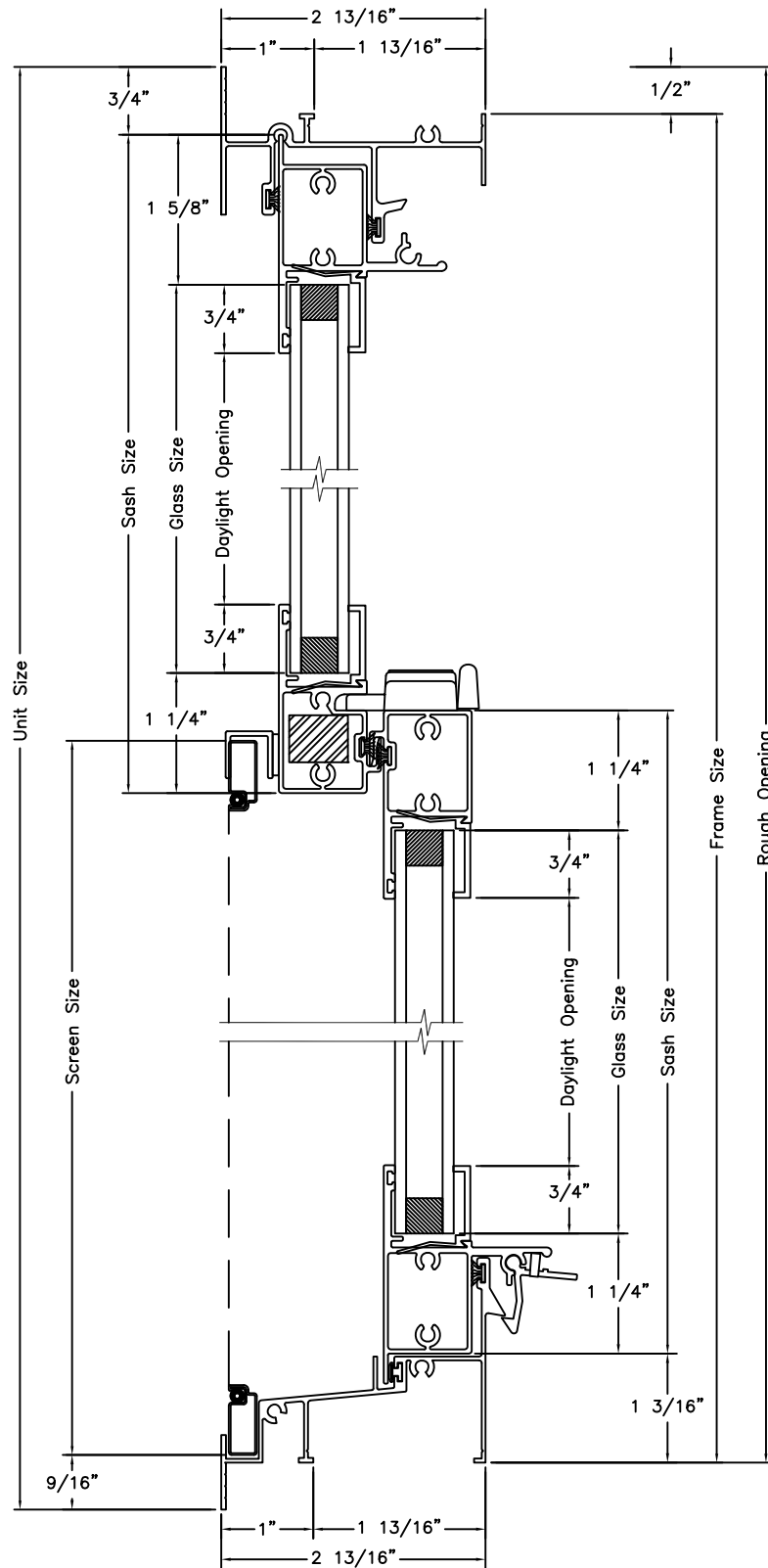
• Scale: 1:2



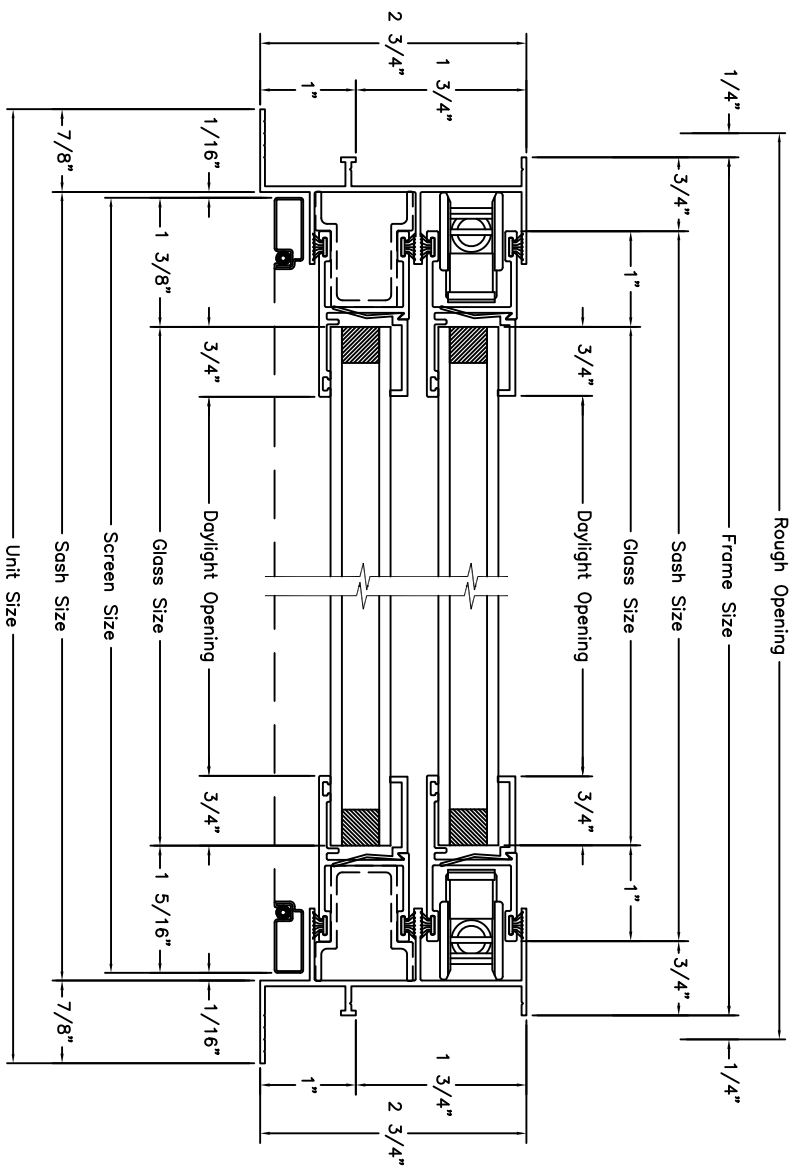
Vertical Section

PREMIUM ATLANTIC ALUMINUM
SINGLE HUNG WINDOW
FLANGE FRAME VERTICAL SECTION

• Scale: 1:2



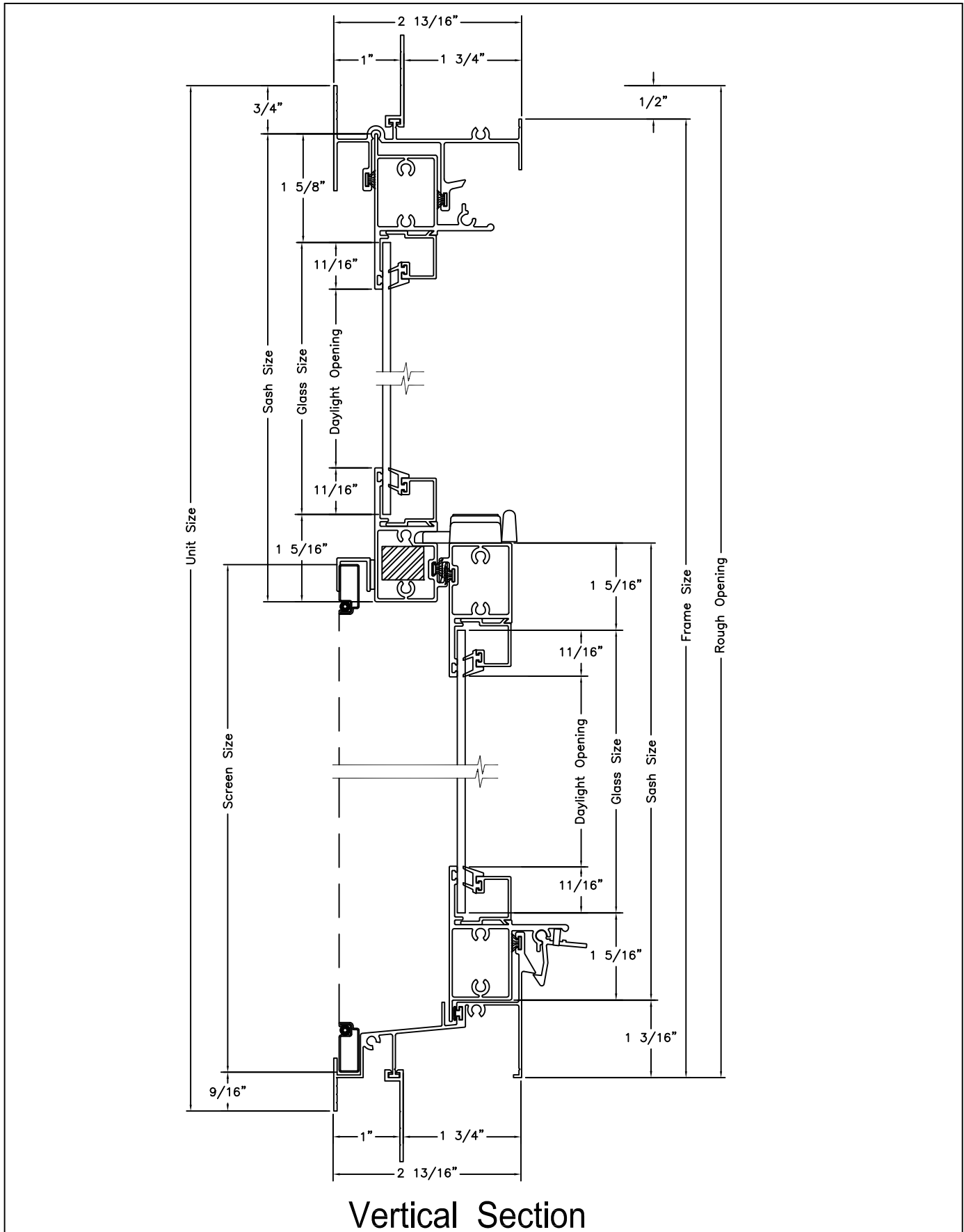
Vertical Section



Horizontal Section

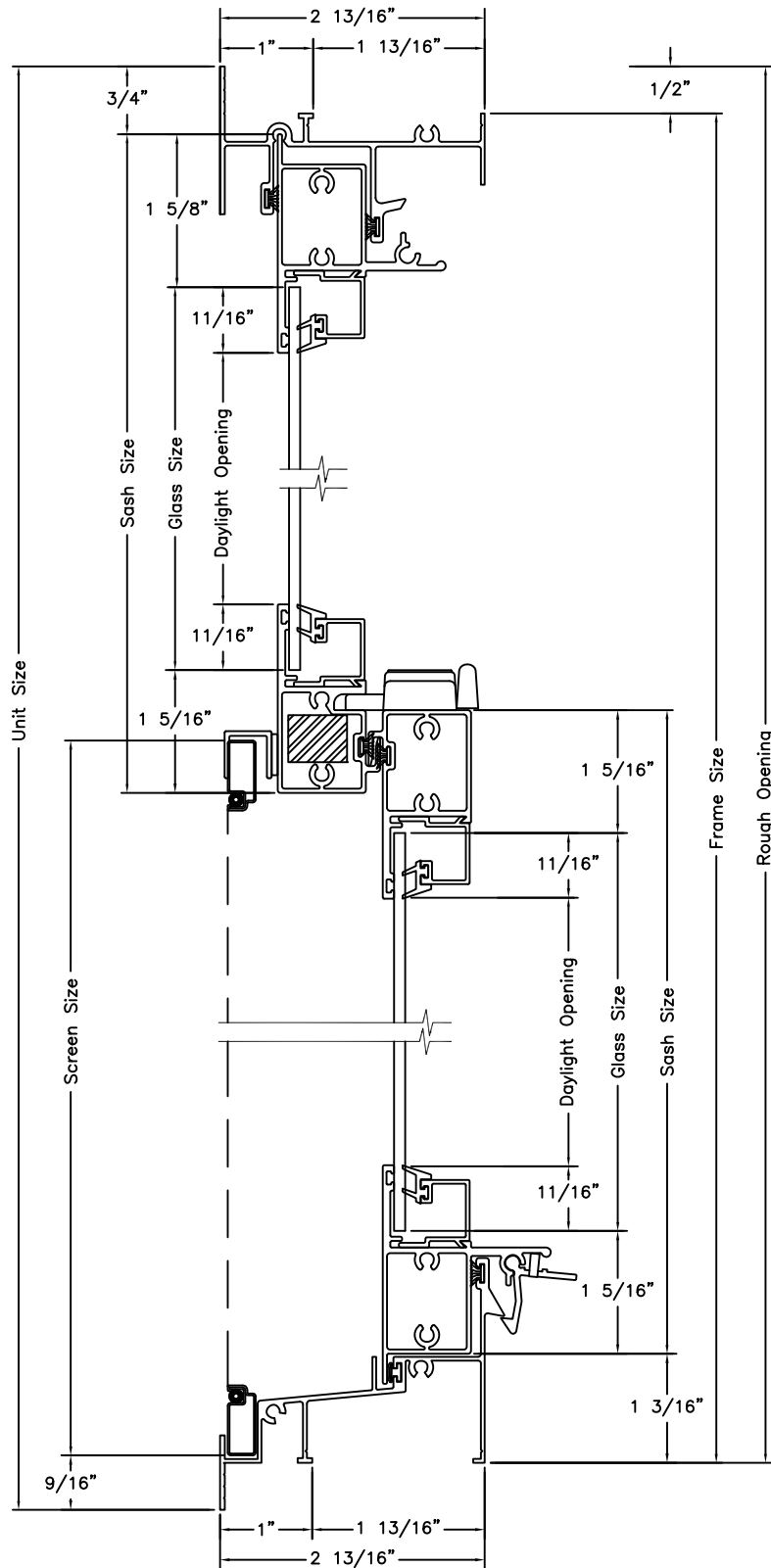
PREMIUM ATLANTIC ALUMINUM
SINGLE HUNG WINDOW
SLIP ON NAIL FIN SINGLE PANE VERTICAL SECTION

• Scale: 1:2

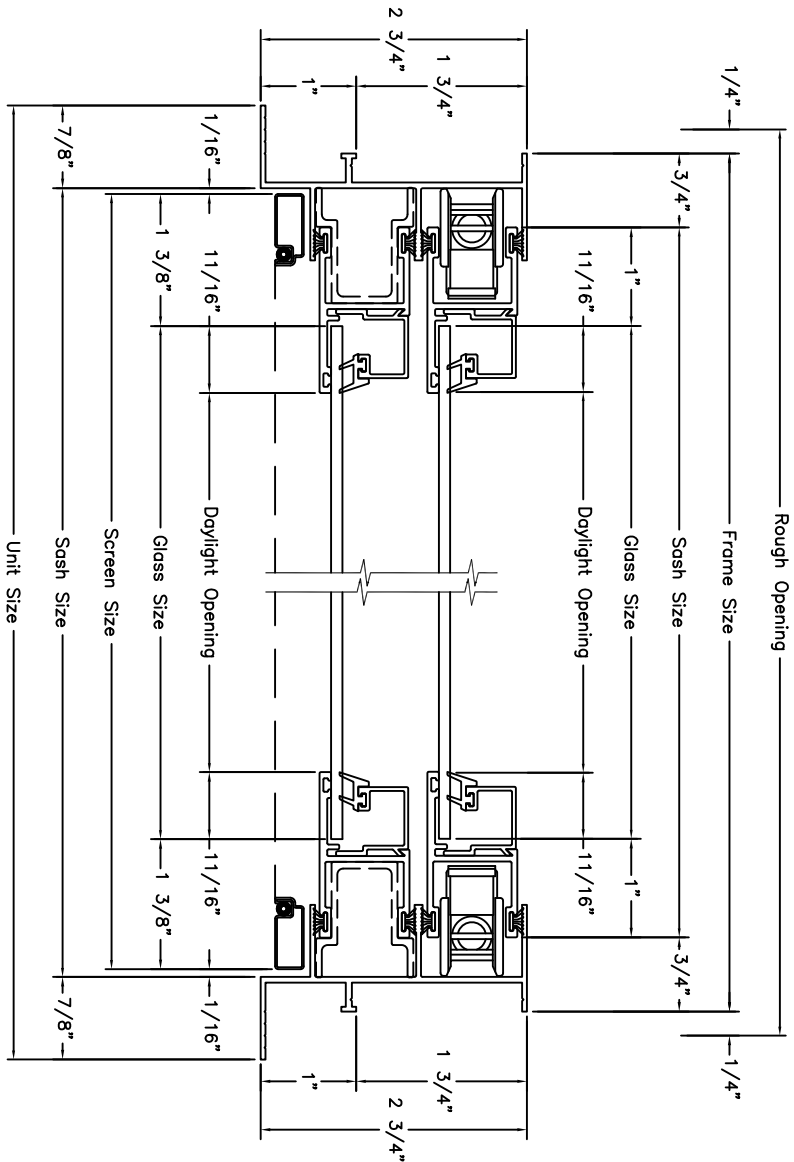


PREMIUM ATLANTIC ALUMINUM
SINGLE HUNG WINDOW
FLANGE FRAME SINGLE PANE VERTICAL SECTION

• Scale: 1:2



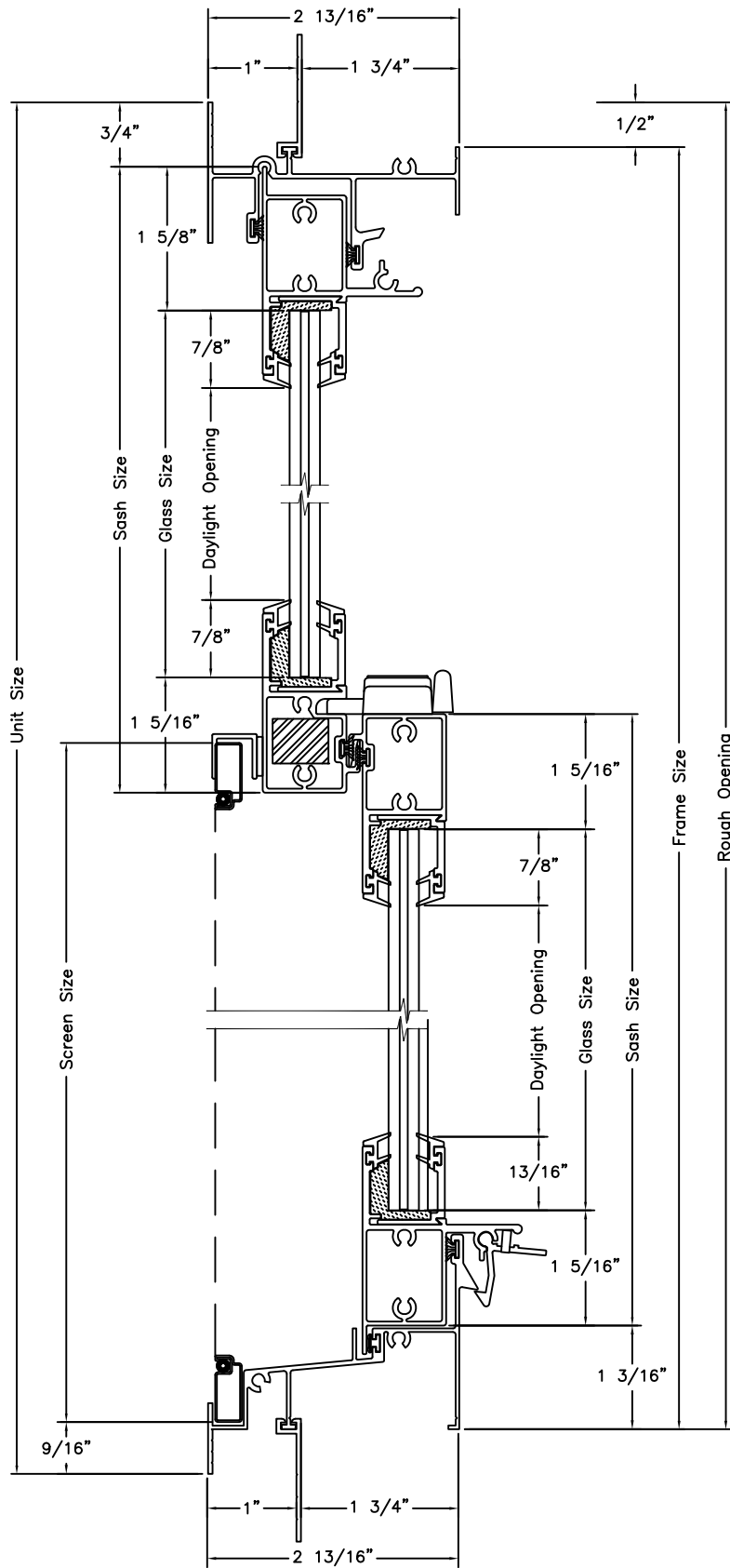
Vertical Section



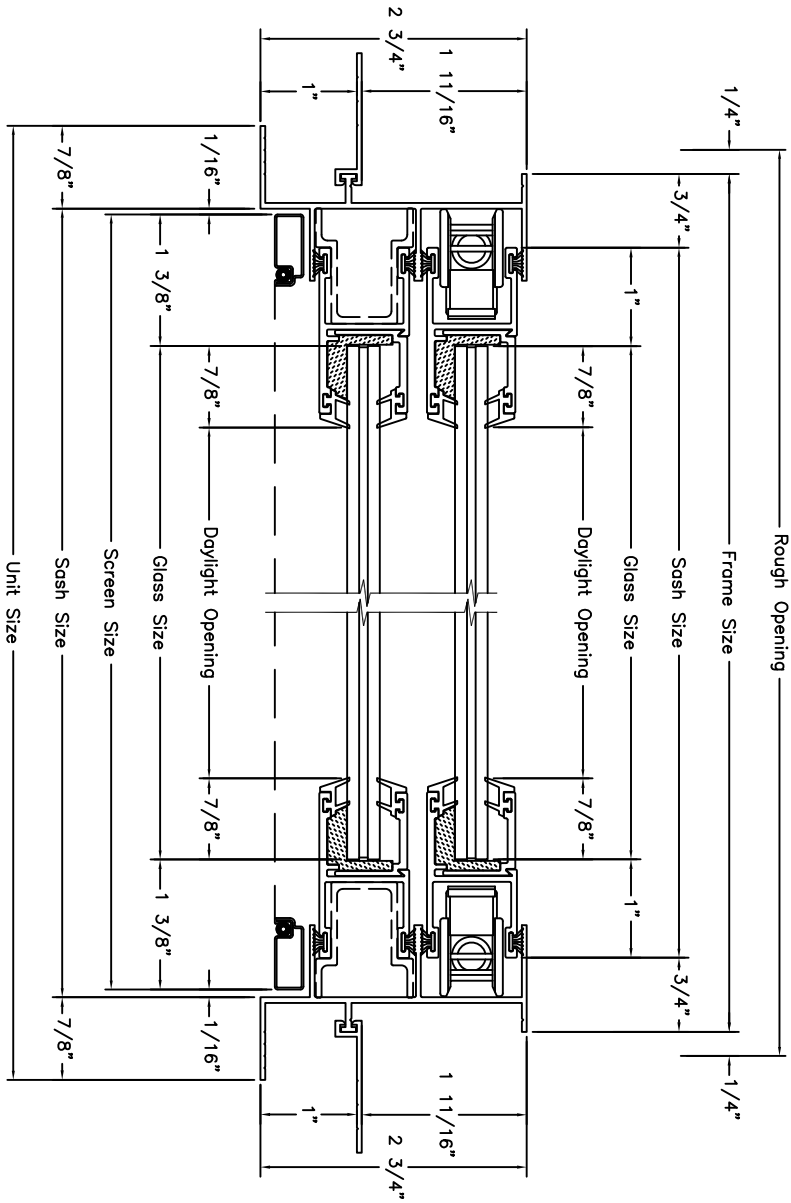
Horizontal Section

PREMIUM ATLANTIC ALUMINUM
SINGLE HUNG WINDOW
SLIP ON NAIL FIN IMPACT VERTICAL SECTION

• Scale: 1:2



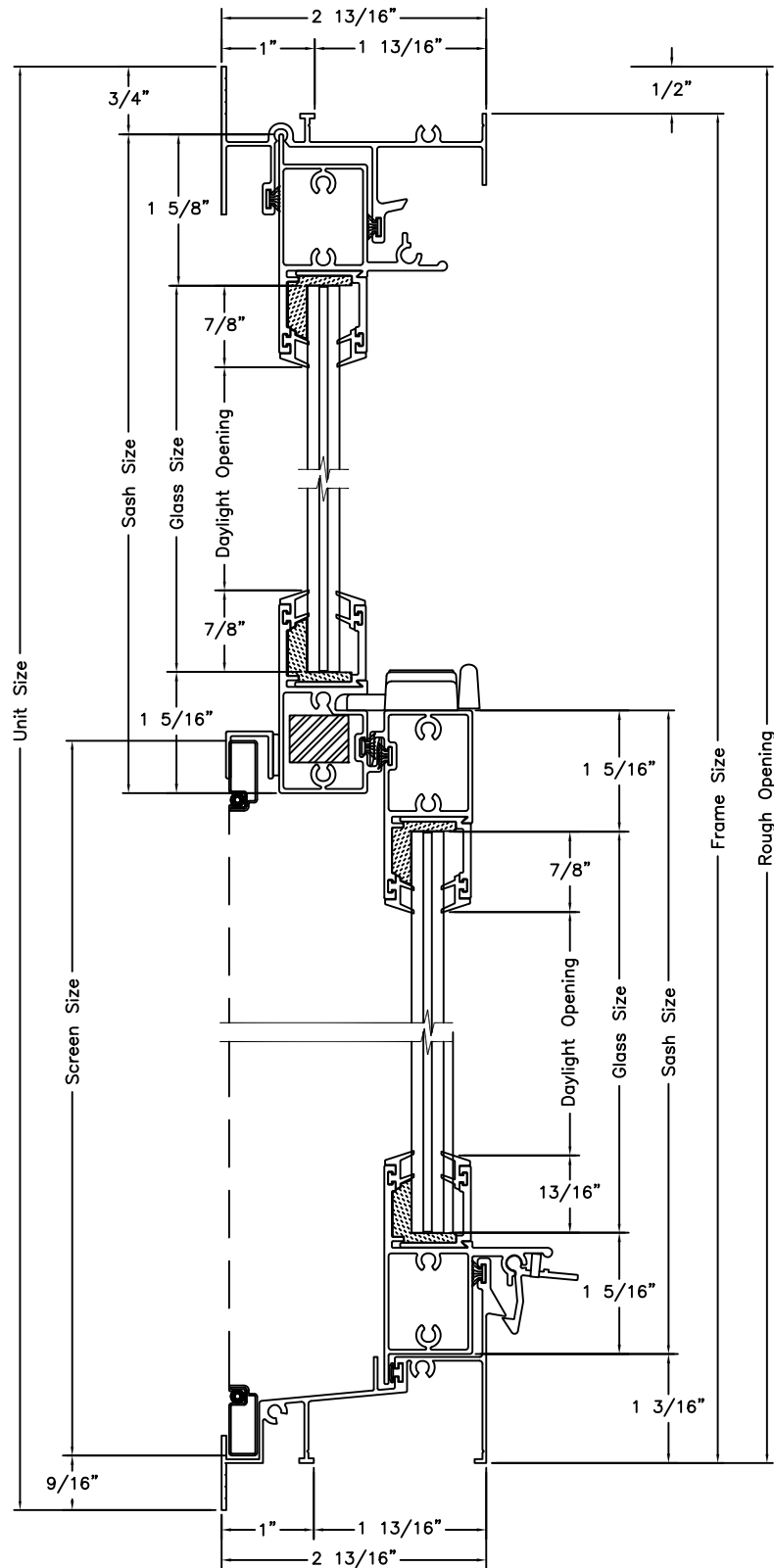
Vertical Section



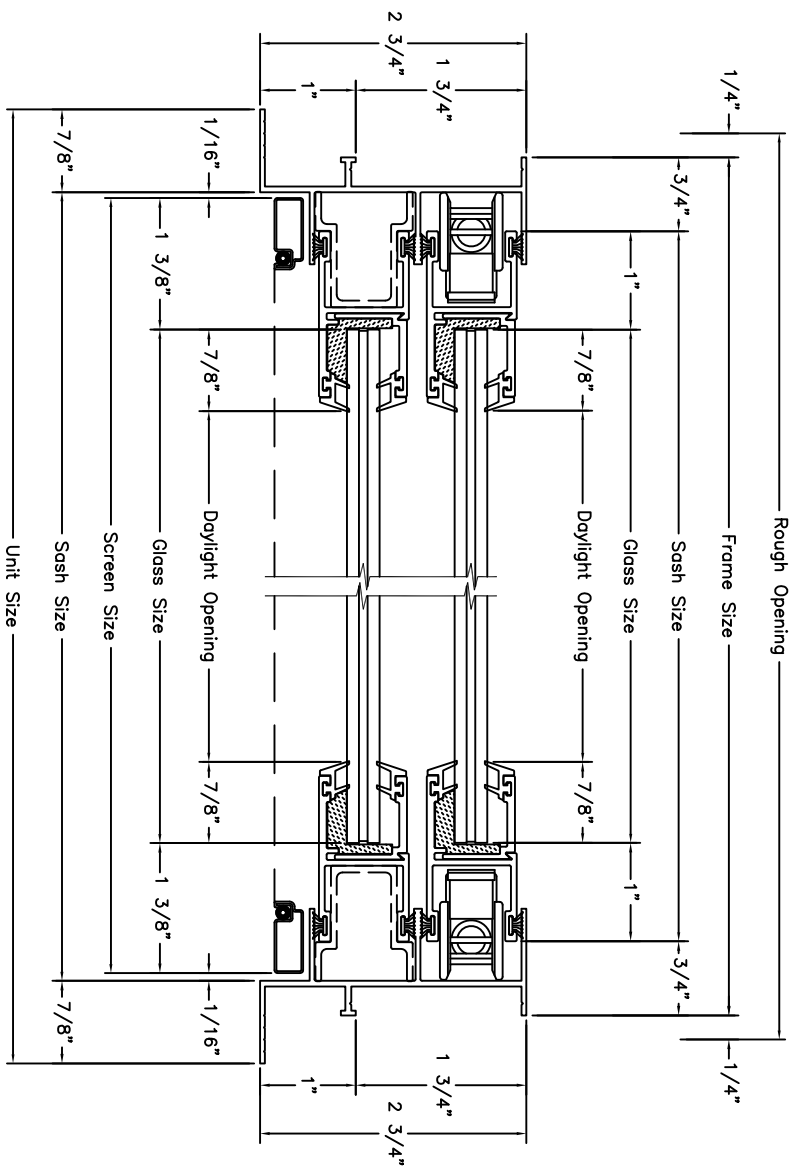
Horizontal Section

PREMIUM ATLANTIC ALUMINUM
SINGLE HUNG WINDOW
FLANGE FRAME IMPACT VERTICAL SECTION

• Scale: 1:2



Vertical Section



Horizontal Section

PREMIUM ATLANTIC ALUMINUM SINGLE HUNG WINDOW SINGLE UNIT ELEVATIONS

• Scale: 1/4"=1'-0"

UNIT SIZE ROUGH OPENING FRAME SIZE DAYLIGHT OPENING	25 1/2"(648) 24"(610) 23"(584) 18"(457)	31 1/2"(800) 30"(762) 29"(737) 24"(610)	37 1/2"(953) 36"(914) 35"(889) 30"(762)	43 1/2"(1105) 42"(1067) 41"(1041) 36"(914)	49 1/2"(1257) 48"(1219) 47"(1194) 42"(1067)	55 1/2"(1410) 54"(1372) 53"(1346) 48"(1219)
25 1/2"(648) 24"(610) 23"(584) 7 3/8"(187) 6 3/4"(171)						
31 1/2"(800) 30"(762) 29"(737) 10 3/8"(264) 9 3/4"(248)						
37 1/2"(953) 36"(914) 35"(889) 13 3/8"(340) 12 3/4"(324)						
43 1/2"(1105) 42"(1067) 41"(1041) 16 3/8"(416) 15 3/4"(400)						
49 1/2"(1257) 48"(1219) 47"(1194) 19 3/8"(492) 18 3/4"(476)						
55 1/2"(1410) 54"(1372) 53"(1346) 22 3/8"(568) 21 3/4"(552)						
61 1/2"(1562) 60"(1524) 59"(1489) 25 3/8"(645) 24 3/4"(629)						

ELEVATION SYMBOL LEGEND:
VALUES IN () ARE IN MILLIMETER CONVERSIONS
E BASIC UNIT CLEAR OPENING EXCEEDS 20" IN WIDTH, 24" IN HEIGHT & A MINIMUM OF 5.7 SQ. FT.

Note: Elevations shown DO NOT have exterior trim. Subtract 1/2"(12.7) from M.O. (Masonry Opening) for Unit Sizes. Masonry openings above include Sill Nose, see Trim Options page for Sill Nose specifications. For other Trim Options refer to the Unit Sizing, Rough Opening & Masonry Openings page.

PREMIUM ATLANTIC ALUMINUM SINGLE HUNG WINDOW SINGLE UNIT ELEVATIONS

• Scale: 1/4"=1'-0"

	UNIT SIZE ROUGH OPENING FRAME SIZE DAYLIGHT OPENING	25 1/2"(648) 24"(610) 23"(584) 18"(457)	31 1/2"(800) 30"(762) 29"(737) 24"(610)	37 1/2"(953) 36"(914) 35"(889) 30"(762)	43 1/2"(1105) 42"(1067) 41"(1041) 36"(914)	49 1/2"(1257) 48"(1219) 47"(1194) 42"(1067)	55 1/2"(1410) 54"(1372) 53"(1346) 48"(1219)
73 1/2"(1867) 72"(1829) 71"(1803) 31 3/8"(797) 30 3/4"(781)							
	6SH2472	6SH3072	6SH3672	6SH4272	6SH4872	6SH5472	
77 1/2"(1969) 76"(1930) 75"(1905) 33 3/8"(848) 32 3/4"(832)							
	6SH2476	6SH3076	6SH3676	6SH4276	6SH4876	6SH5476	
85 1/2"(2172) 84"(2134) 83"(2108) 37 3/8"(949) 36 3/4"(933)							
	6SH2484	6SH3084	6SH3684	6SH4284	6SH4884	6SH5484	
91 1/2"(2324) 90"(2286) 89"(2261) 40 3/8"(1026) 39 3/4"(1010)							
	6SH2490	6SH3090	6SH3690	6SH4290	6SH4890	6SH5490	

PREMIUM ATLANTIC ALUMINUM SINGLE HUNG WINDOW FLORIDA ELEVATIONS

• Scale: 1/4"=1'-0"

UNIT SIZE	20 5/8"(524)	28"(711)	38 1/2"(978)	54 5/8"(1387)
ROUGH OPENING	18 1/8"(460)	25 1/2"(648)	36"(914)	52 1/8"(1324)
FRAME SIZE	18 1/8"(460)	25 1/2"(648)	36"(914)	52 1/8"(1324)
DAYLIGHT OPENING	12 13/16"(325)	20 5/16"(515)	30 11/16"(779)	46 13/16"(1189)
27 1/2"(699) 25"(635) 25"(635) 8 7/16"(205) 7 1/2"(191)				
39 7/8"(1013) 37 3/8"(949) 37 3/8"(949) 14 1/4"(362) 13 11/16"(348)				
52 1/8"(1324) 49 5/8"(1260) 49 5/8"(1260) 20 3/8"(518) 19 13/16"(503)				
64 1/2"(1638) 62"(1575) 62"(1575) 26 1/16"(662) 25 1/2"(648)				
73 1/2"(1867) 71"(1803) 71"(1803) 31 1/16"(789) 30 1/2"(775)				
77 1/2"(1969) 75"(1905) 75"(1905) 33 1/16"(840) 32 1/2"(826)				

ELEVATION SYMBOL LEGEND:

VALUES IN () ARE IN MILLIMETER CONVERSIONS
E BASIC UNIT CLEAR OPENING EXCEEDS 20" IN WIDTH, 24" IN HEIGHT & A MINIMUM OF 5.7 SQ. FT.
NUMBER INDICATES DESIGN PRESSURE (DP) RATING WITH STANDARD GLAZING

Note: Elevations shown DO NOT have exterior trim. Subtract 1/2"(12.7) from M.O.(Masonry Opening) for Unit Sizes. Masonry openings above include Sill Nose, see Trim Options page for Sill Nose specifications. For other Trim Options refer to the Unit Sliding, Rough Opening & Masonry Openings page.