

These door trimming guidelines apply to dowelled and non-dowelled Premium Wood doors. Warranty claims may be denied if doors have been trimmed beyond the tolerances listed below. These guidelines were designed to prevent our doors from losing structural integrity and performing below the superior standards that we and our customers set for these doors. If unclear, please call our customer service department at (877)-535-3462.

PREFIT IN WIDTH

Dowelled and non-dowelled product

- 3/8" max (3/16" coming off both sides equally)
- Beveled panels should not be trimmed at the sides

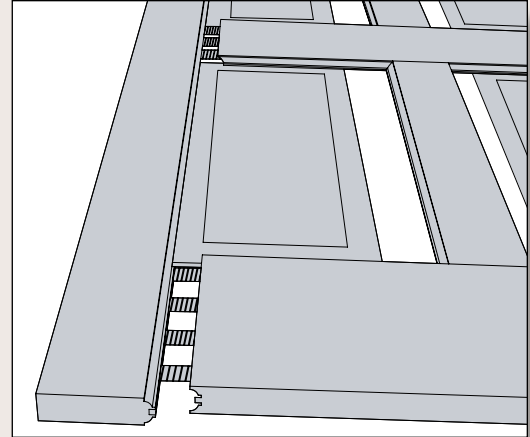
PREFIT IN HEIGHT

Dowelled product

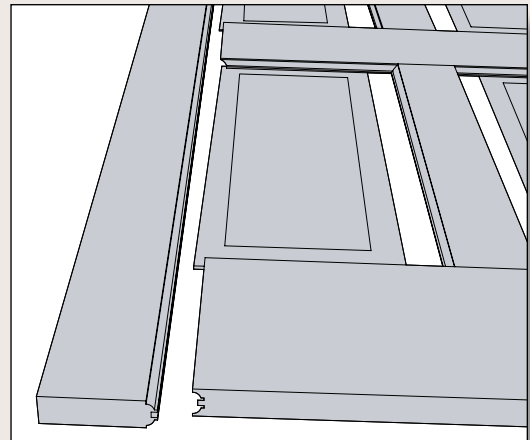
- 1/8" max off the top
- 7/8" max off the bottom

Non-dowelled product

- No restrictions



Dowelled Door



Non-Dowelled Door

DOWELLED vs NON-DOWELLED

Dowelled Doors

Door stiles and rails are fitted together with dowels. If the dowels are damaged or cut off in trimming, the door may lose structural integrity.

Non-Dowelled Doors

Door stiles and rails are fitted together using glued door joints. Trimming these doors in height does not compromise structural integrity.

If unsure whether the product is dowelled or non-dowelled, call your supplier or the manufacturing facility.

Do-It-Yourself

Technician

The advice offered herein should be reviewed and performed by a trained service provider. It is recommended that you consult with a competent and licensed construction contractor or building professional prior to taking any action. JELD-WEN disclaims any and all liability associated with the use and/or provision of these instructions. Any reliance upon the information or advice is at the risk of the party so relying. The information contained herein may be changed from time to time without notification.

© 2005 JELD-WEN, inc. JELD-WEN and RELIABILITY for real life are registered trademarks of JELD-WEN, inc. Oregon, USA. All other trademarks are the property of their respective owners.